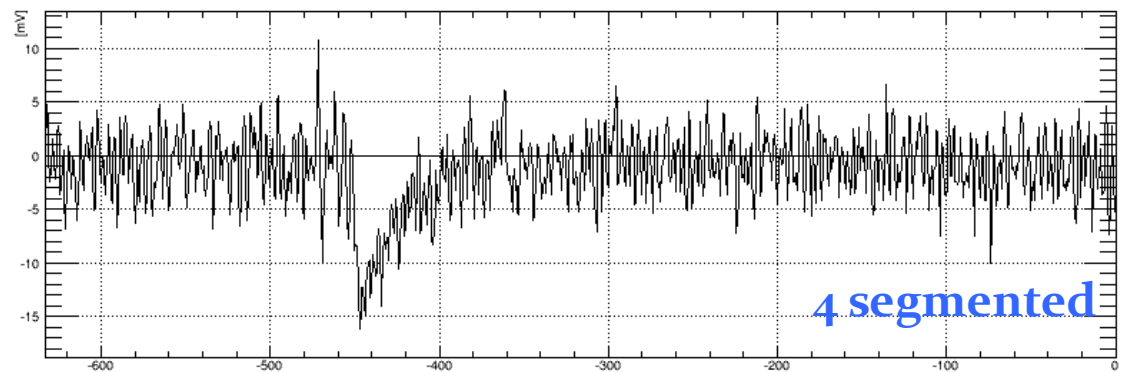
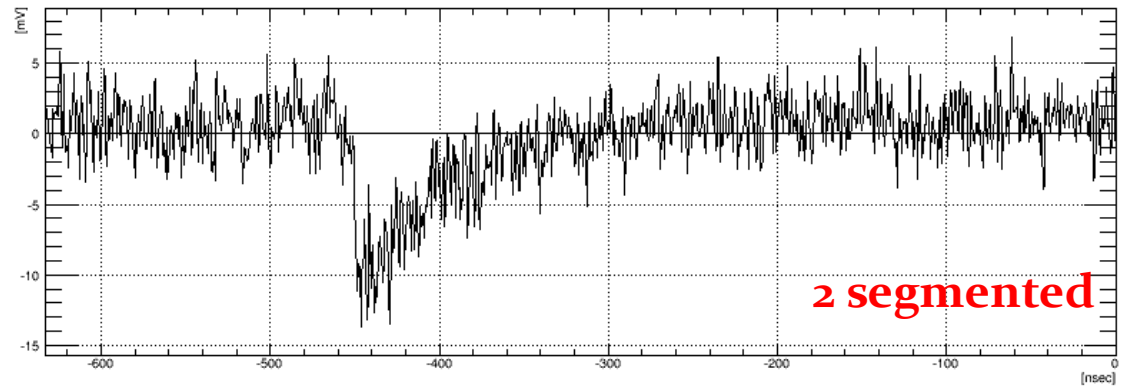
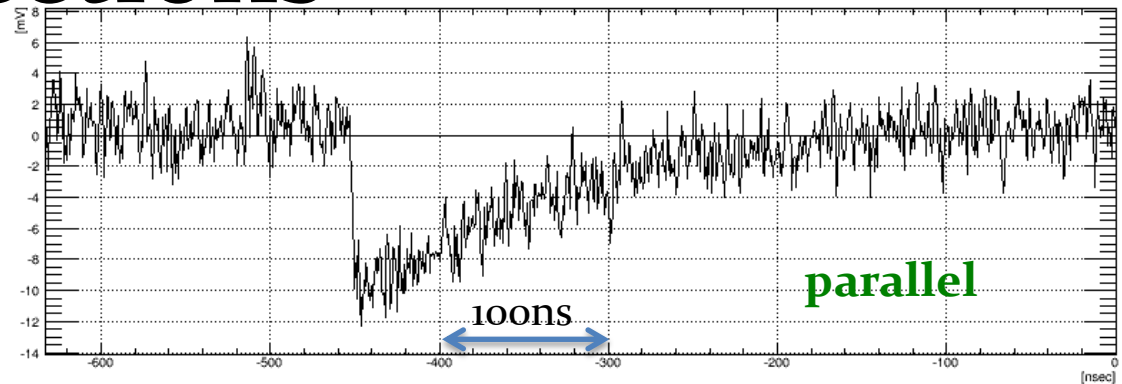
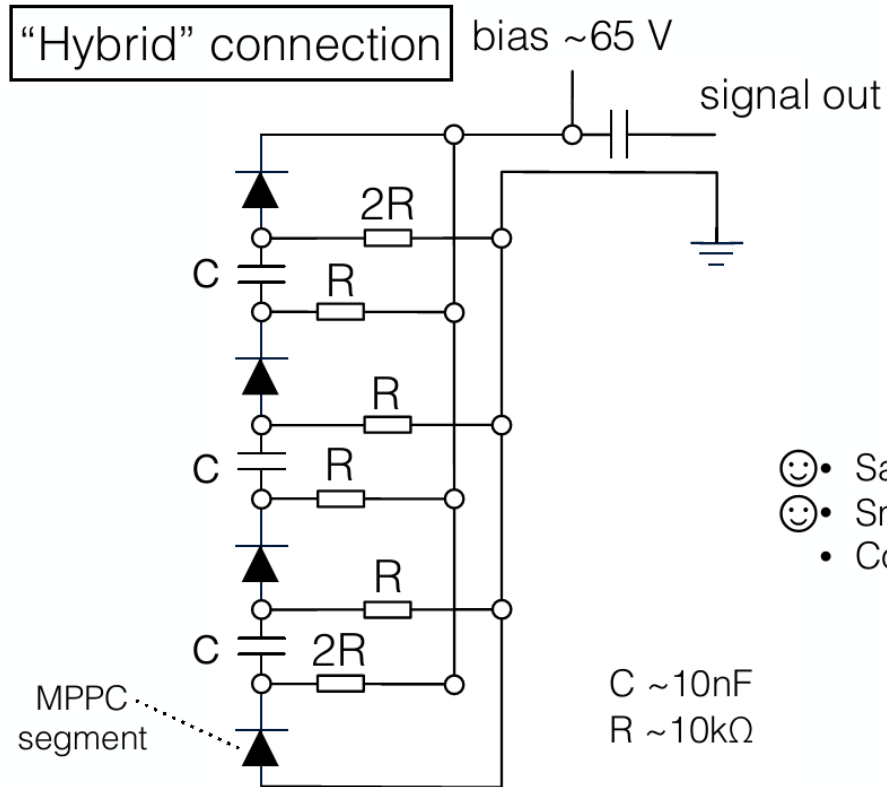


Series connections

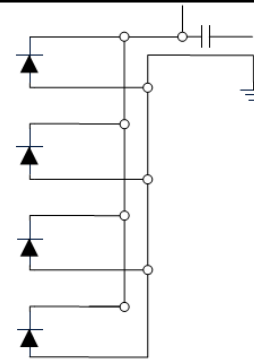


	Fall Time
No Segment	135ns
× 2 Segmented	49ns
× 4 Segmented	25ns

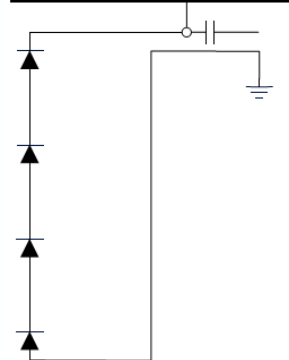
Hybrid connection



Parallel connection

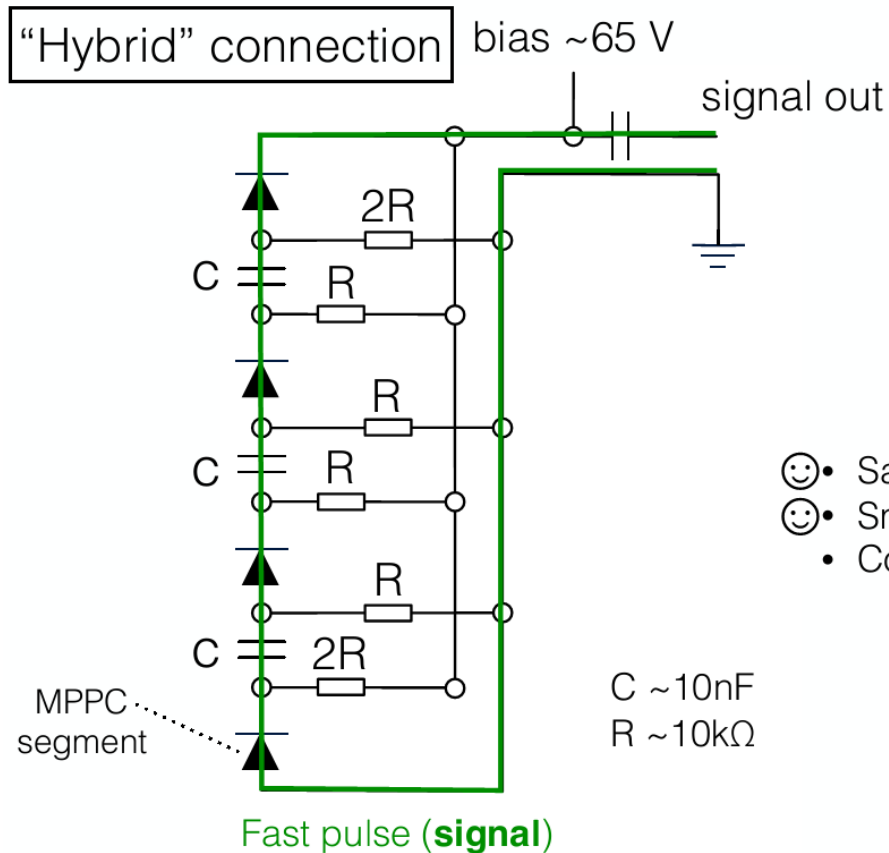


Series connection

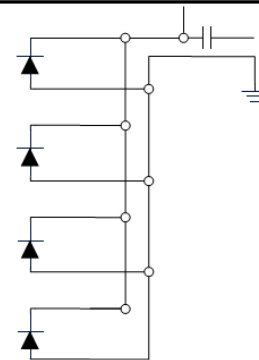


- ☺ • Same potential on the surface of MPPCs
- ☺ • Small capacitance \rightarrow Short waveform
- Common bias voltage ($\sim 65\text{ V}$)

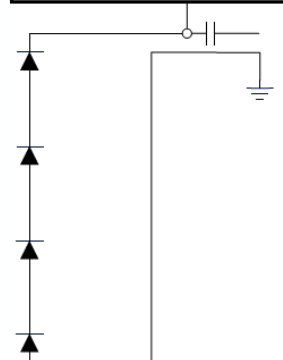
Hybrid connection



Parallel connection

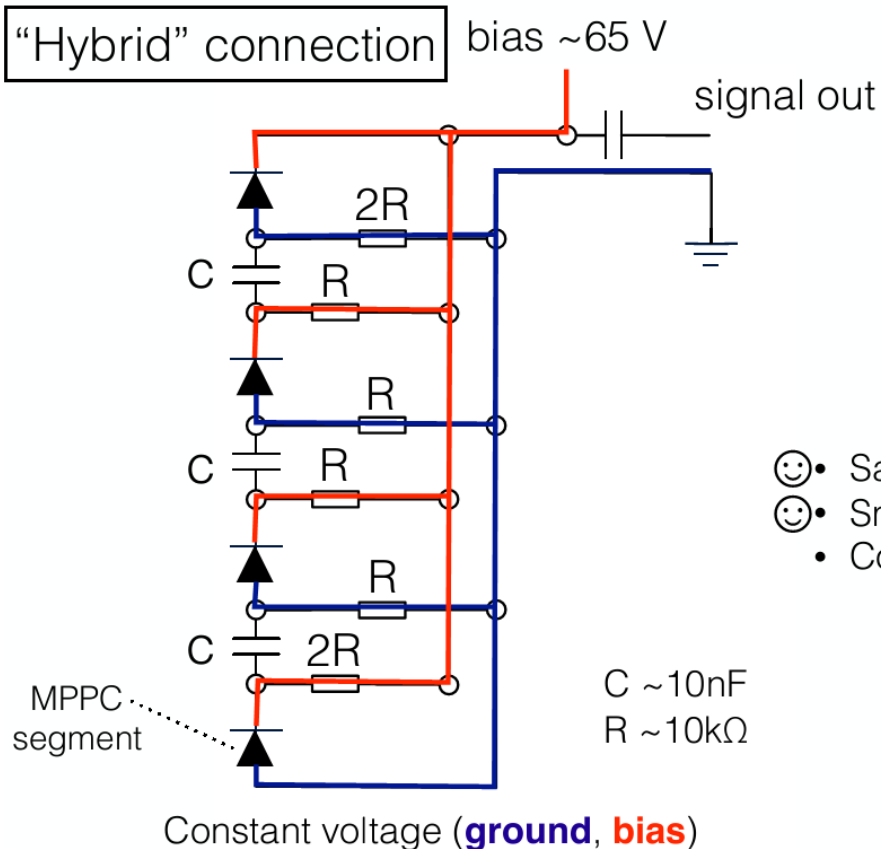


Series connection

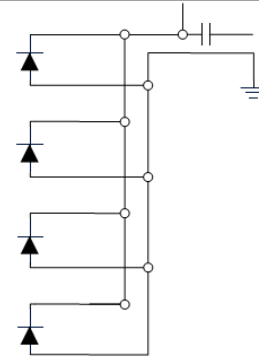


- ☺ • Same potential on the surface of MPPCs
- ☺ • Small capacitance \rightarrow Short waveform
- Common bias voltage (~ 65 V)

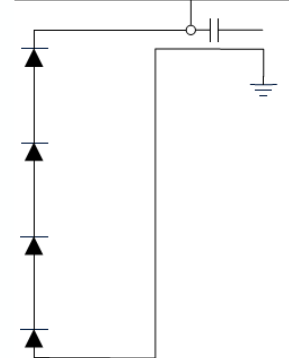
Hybrid connection



Parallel connection



Series connection



- ☺ • Same potential on the surface of MPPCs
- ☺ • Small capacitance \rightarrow Short waveform
- Common bias voltage ($\sim 65\text{ V}$)