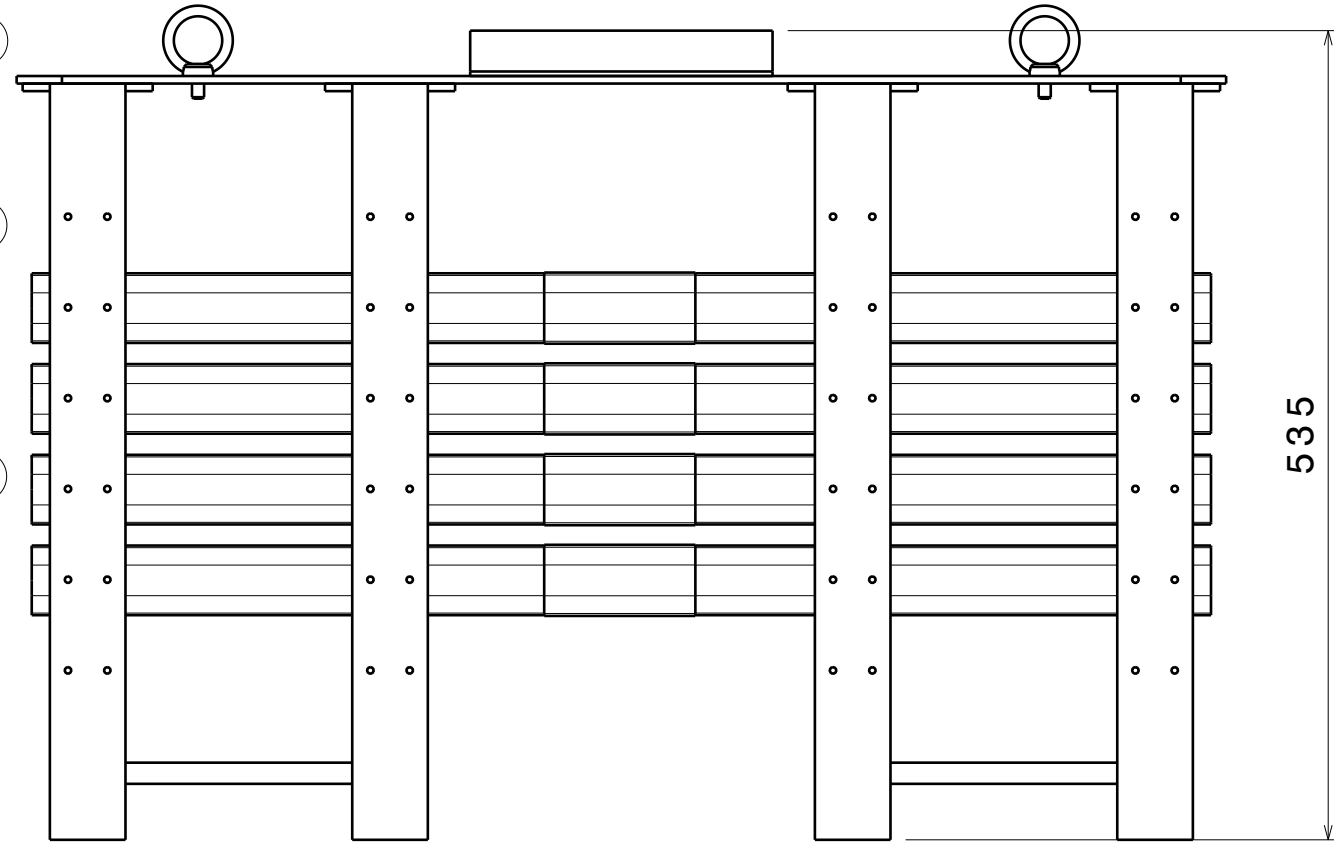
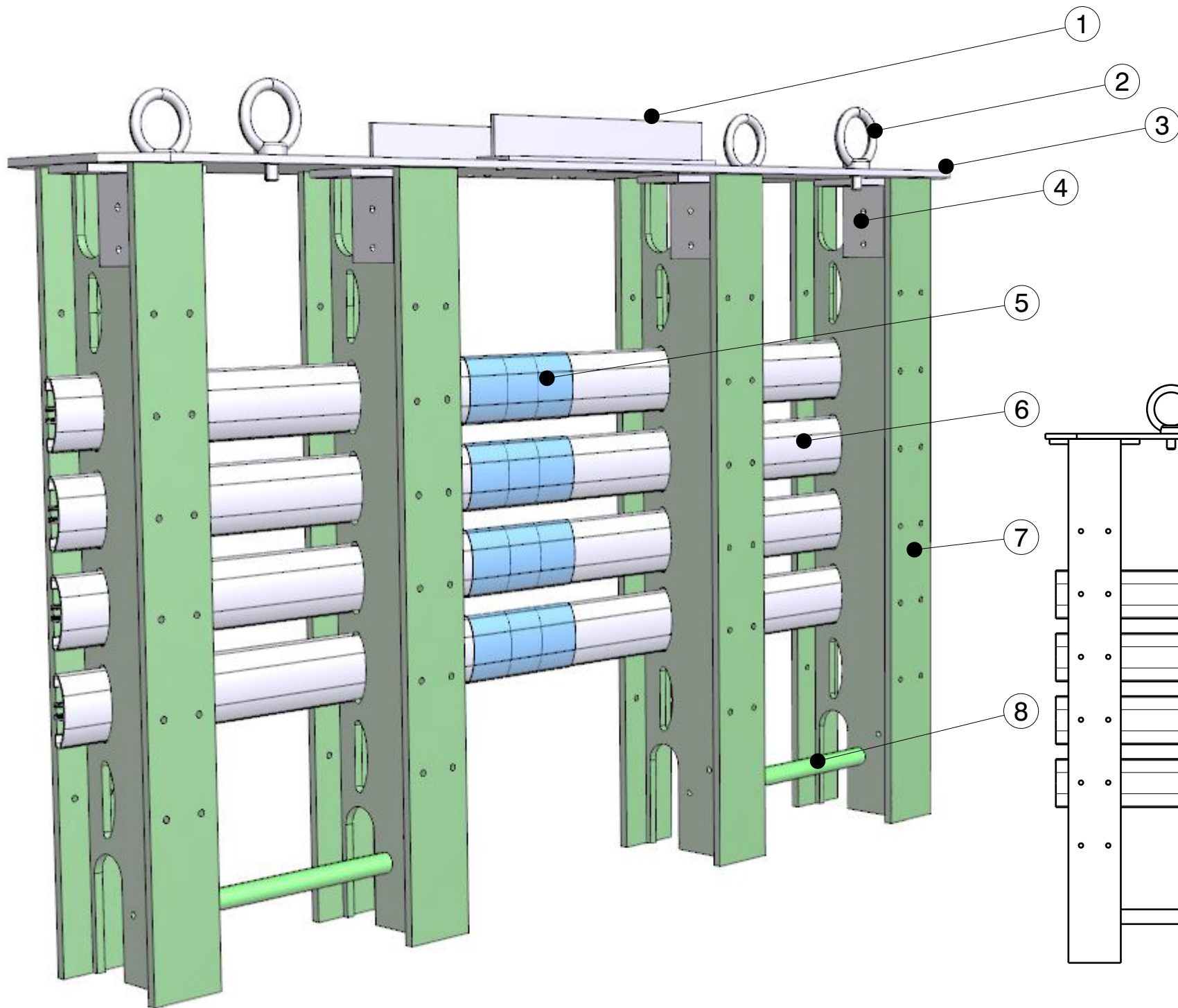


A B C D E F G H

6

6



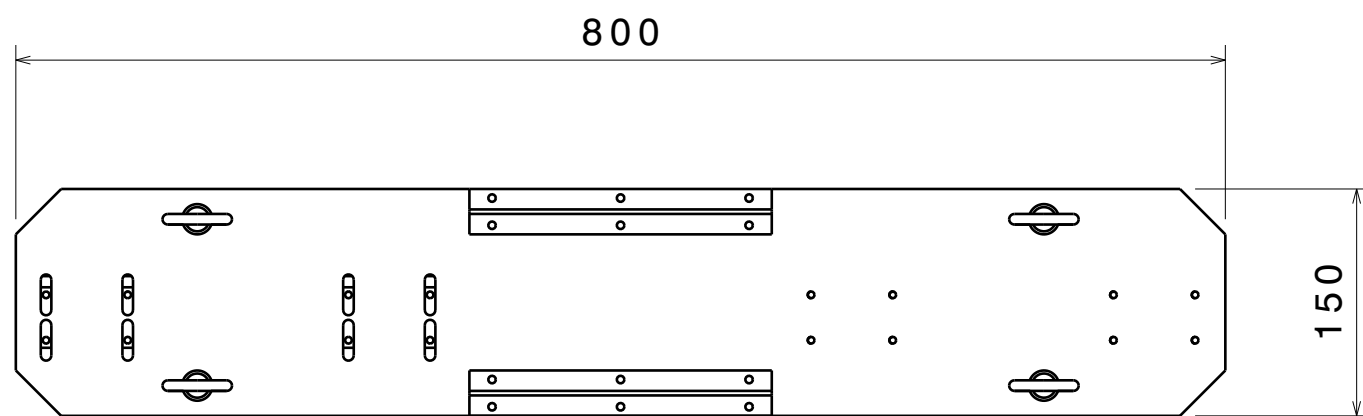
5

4

3

2

1



Pos	Num	Part Name	Material	Weight	Description
1	2	T-Profile	ALU	-	30x30x3mm Lenght=200mm
2	4	Screws Ring	Steel	-	ETH Shop M8
3	1	Bottom Plate	Stainless Steel	-	800x150x5mm
4	8	L-Profile	ALU	-	60x40x5mm Lenght 40mm
5	4	CLIP	ALU	-	Different Lenght 100/150/200mm ?
6	6	CERN ALU Profile	ALU	-	Lenght=375mm
7	4	CERN FRP I-100	FRP	-	Lenght 500mm @CERN
8	2	14mm Rod	G10	-	Amsler und Frei / CERN Shop?

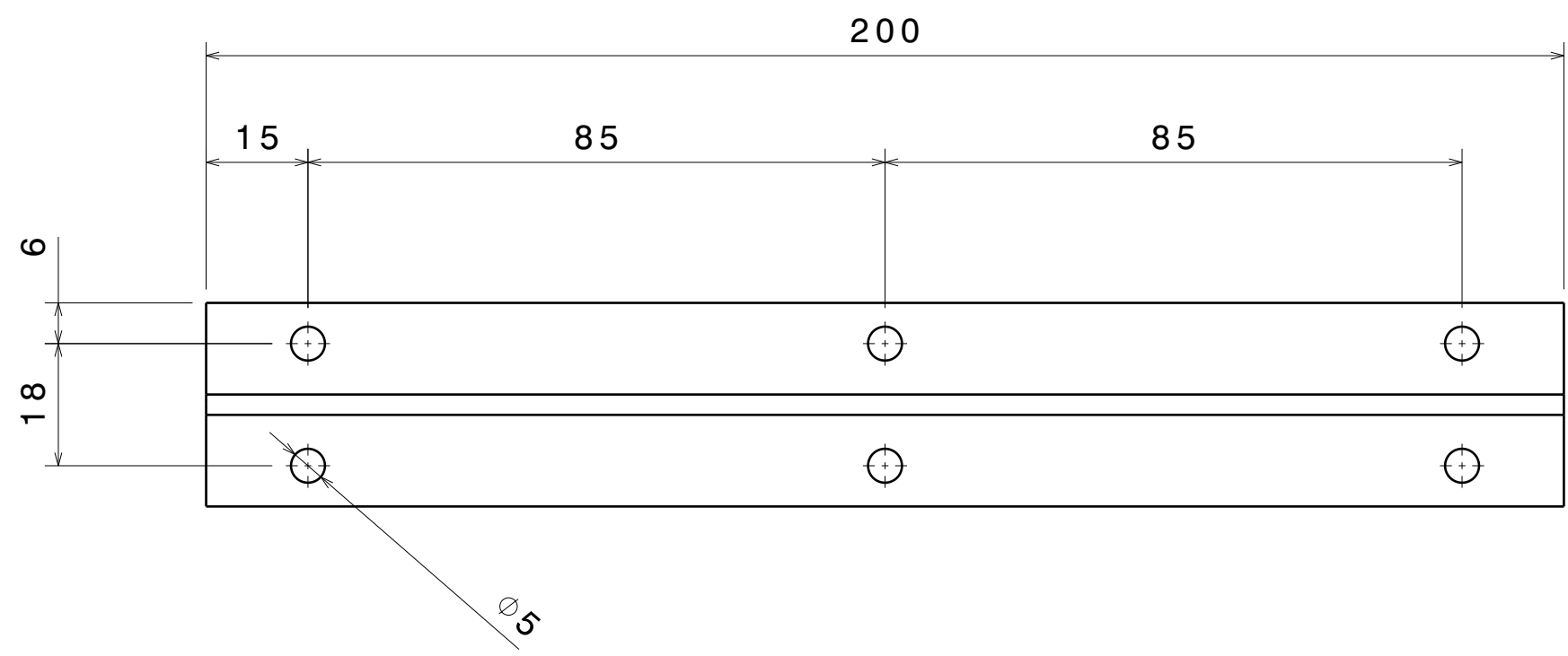
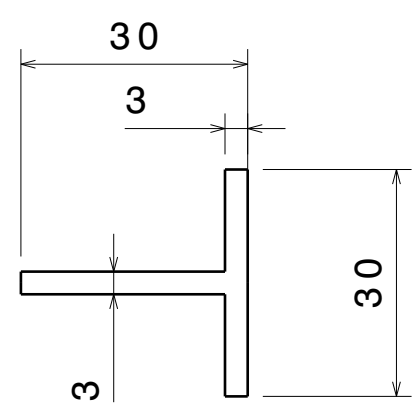
Project:	WA105						Scale	Tot Pages			
Sub-Proj.:	Clip Test Setup CERN						-	6			
Assembly:								Page N°			
Created:	1.11.2016	Adamo Gendotti	Dimensions	From	1	6	30	100	300	1000	
Last Mod.:				To	6	30	100	300	1000	2000	
Constructed:			Tolerance		±0.1	0.2	0.3	0.5	0.8	1.2	

A B C D E F G H

A B C D E F G H

6

6



5

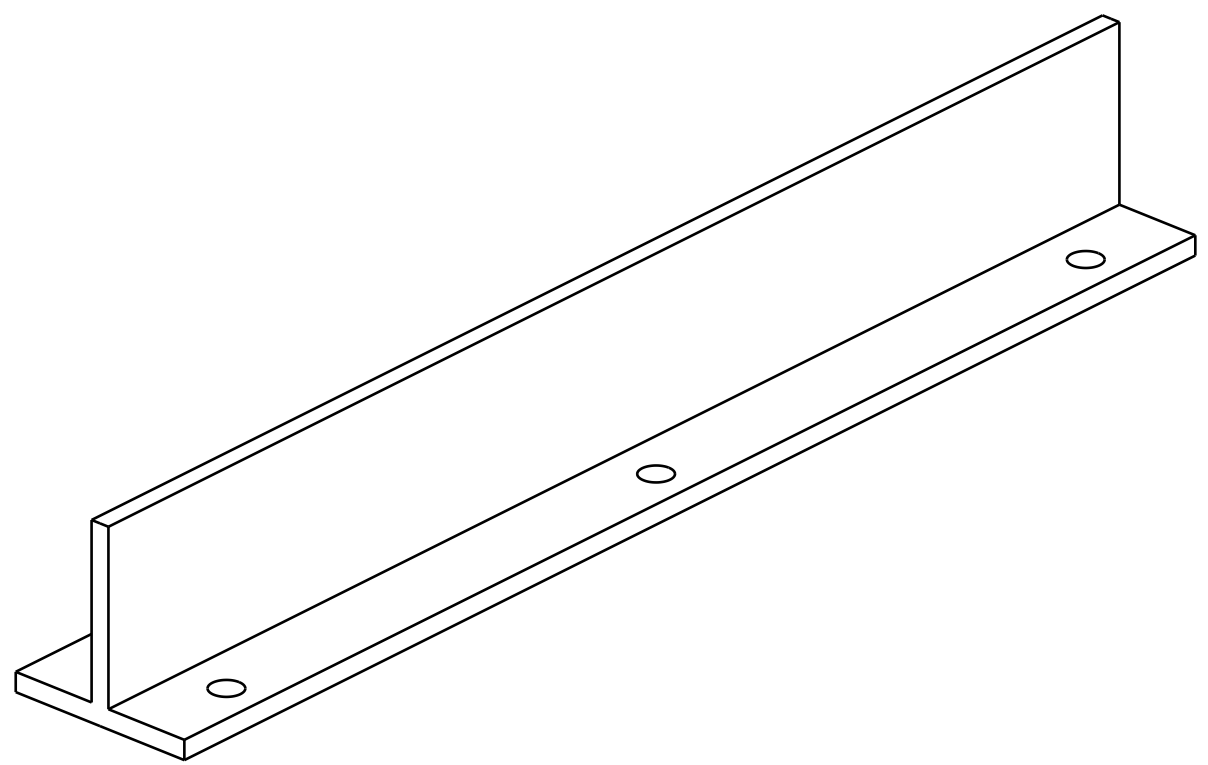
5

4

4

3

3



2

2

1

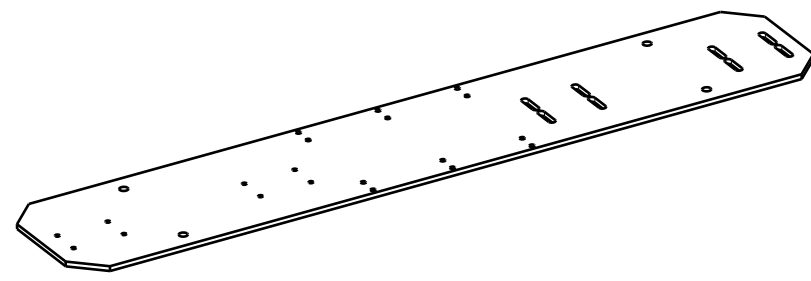
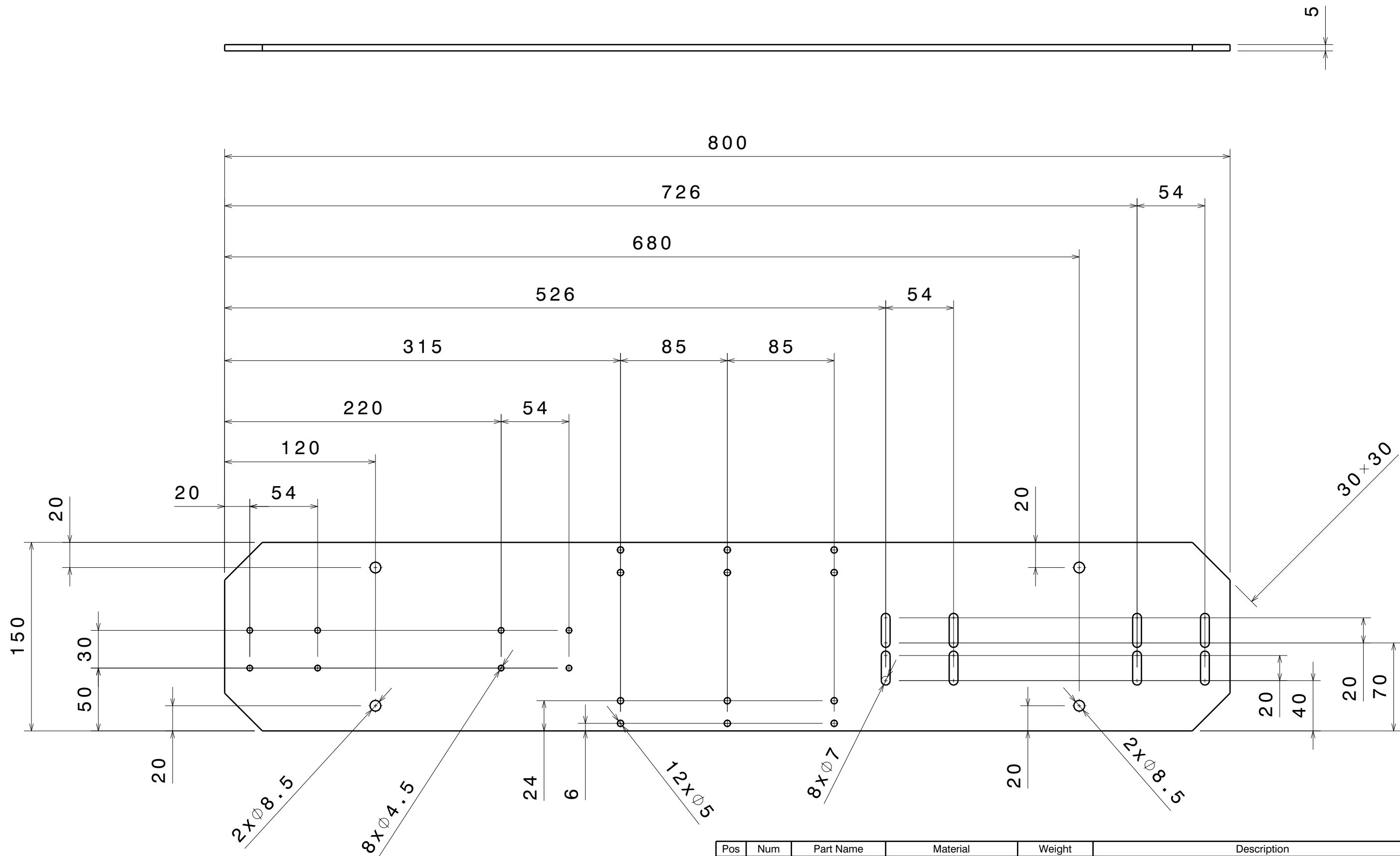
1

Pos	Num	Part Name	Material	Weight	Description
1	2	T-Profile	ALU		30x30x3mm Lenght=200mm

Project:	WA105						Scale	Tot Pages			
Sub-Proj.:	Clip Test Setup CERN						1:2	6			
Assembly:								Page N°			
Created:	1.11.2016	Adamo Gendotti	Dimensions	From	1	6	30	100	300	1000	
Last Mod.:				To	6	30	100	300	1000	2000	
Constructed:			Tolerance	±0.1	0.2	0.3	0.5	0.8	1.2	2	

<b>ETH zürich</b>	<b>T-Profile</b>	<b>XX-XXXX</b>
-------------------	------------------	----------------

A B C D E F G H



Pos	Num	Part Name	Material	Weight	Description
3	1	Bottom Plate	Stainless Steel		800x150x5mm

Project:	WA105						Scale	Tot Pages				
Sub-Proj.:	Clip Test Setup CERN						1:3	6				
Assembly:								Page N°				
Created:	1.11.2016	Adamo Gendotti	Dimensions	From	1	6	30	100	300	1000		3
Last Mod.:			To	6	30	100	300	1000	2000			
Constructed:			Tolerance	±0.1	0.2	0.3	0.5	0.8	1.2			

**ETH zürich**

**Bottom Plate**

**XX-XXXX**

A

B

C

D

E

F

G

H

6

6

5

5

4

4

3

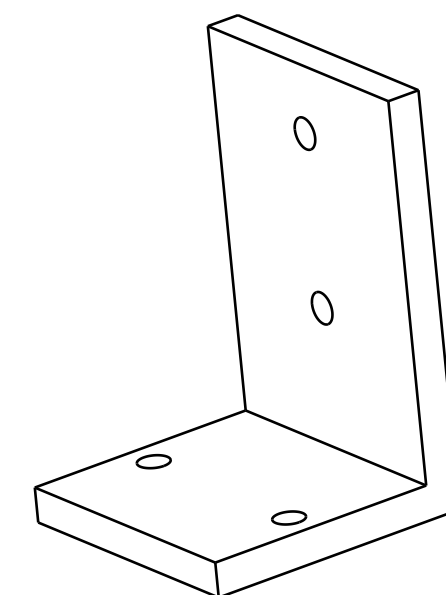
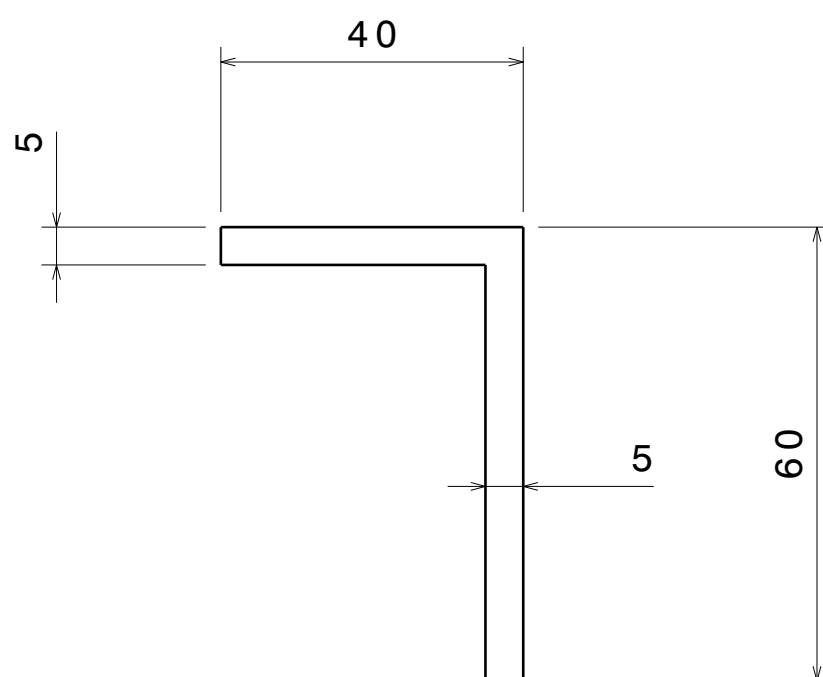
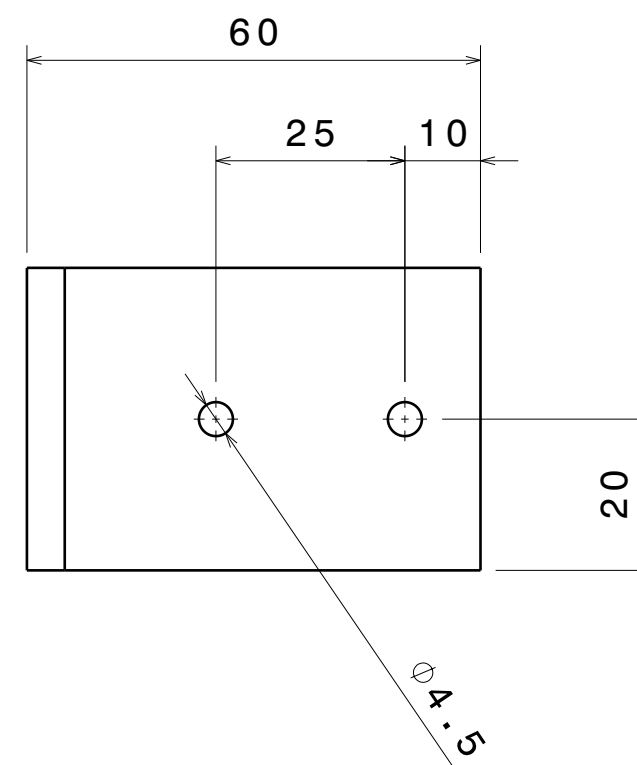
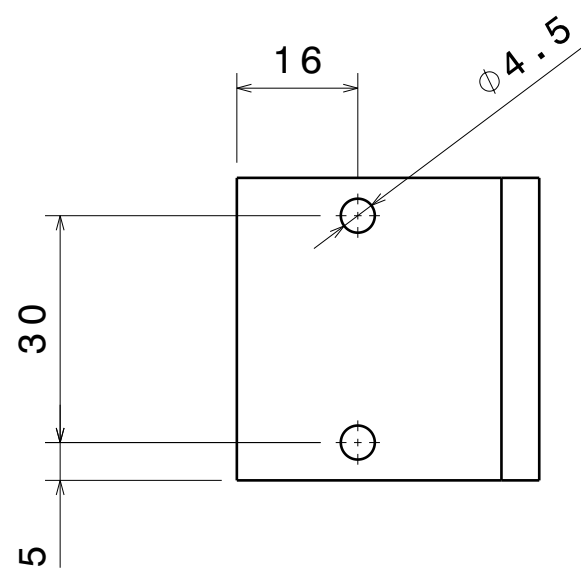
3

2

2

1

1



Pos	Num	Part Name	Material	Weight	Description
4	8	L-Profile	ALU		60x40x5mm Lenght 40mm

Project:	WA105							Scale	Tot Pages			
Sub-Proj.:	Clip Test Setup CERN							1:1	6			
Assembly:												
Created:	1.11.2016	Adamo Gendotti	Dimensions	From	1	6	30	100	300	1000		Page N°
Last Mod.:			To	6	30	100	300	1000	2000	4		
Constructed:			Tolerance	±0.1	0.2	0.3	0.5	0.8	1.2			

**ETH** zürich

L-Profile

XX-XXXX

A

B

C

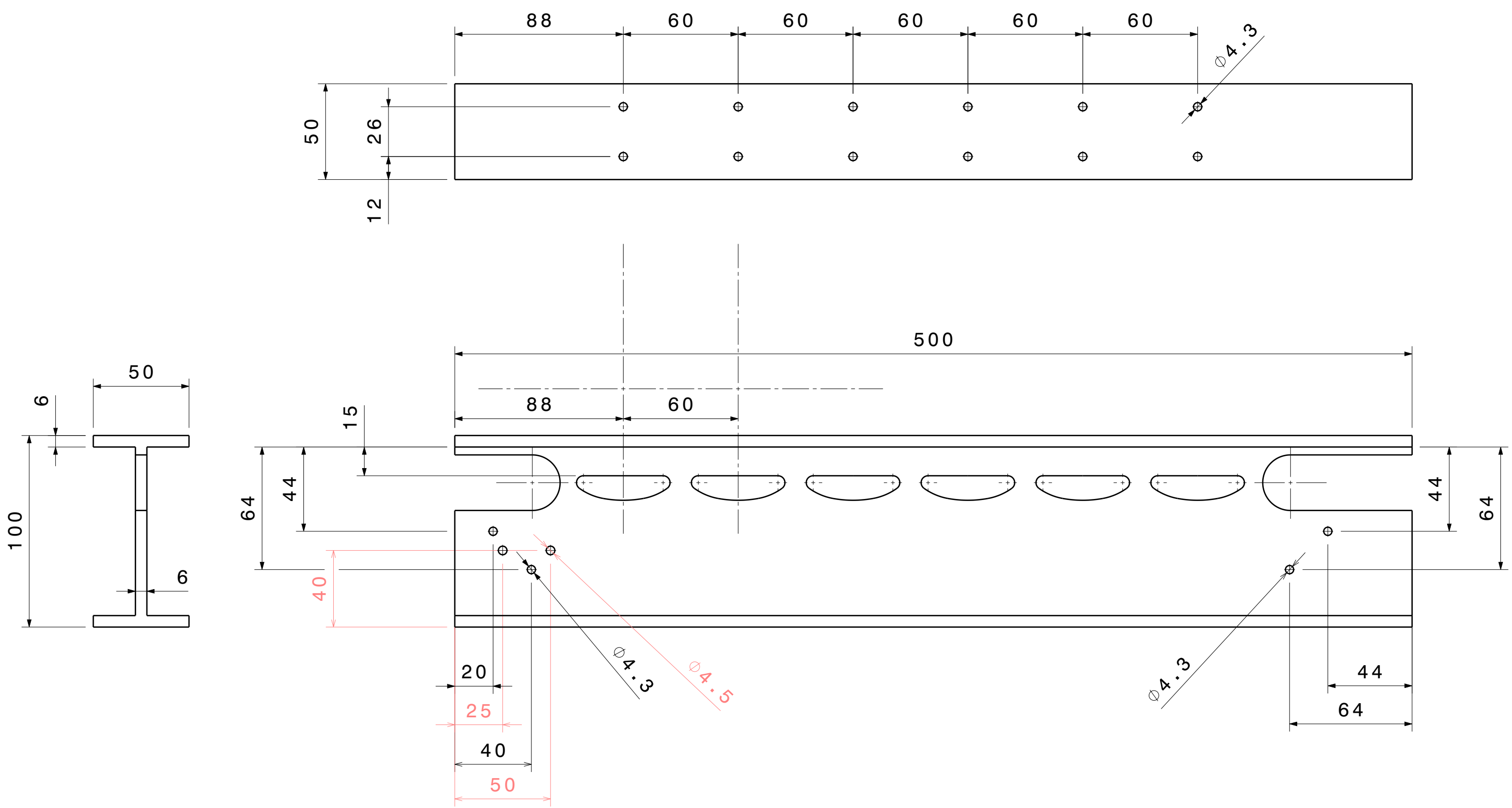
D

E

F

G

H



**Only 2 additional holes are needed (see red quote)**

Pos	Num	Part Name	Material	Weight	Description
7	4	CERN FRP I-100	FRP		Lenght 500mm @CERN

Project:	WA105						Scale	Tot Pages				
Sub-Proj.:	Clip Test Setup CERN						1:2	6				
Assembly:												
Created:	1.11.2016	Adamo Gendotti	Dimensions	From	1	6	30	100	300	1000		Page N°
Last Mod.:				To	6	30	100	300	1000	2000		5
Constructed:			Tolerance		±0.1	0.2	0.3	0.5	0.8	1.2		

**ETH zürich**

**CERN FRP I-100**

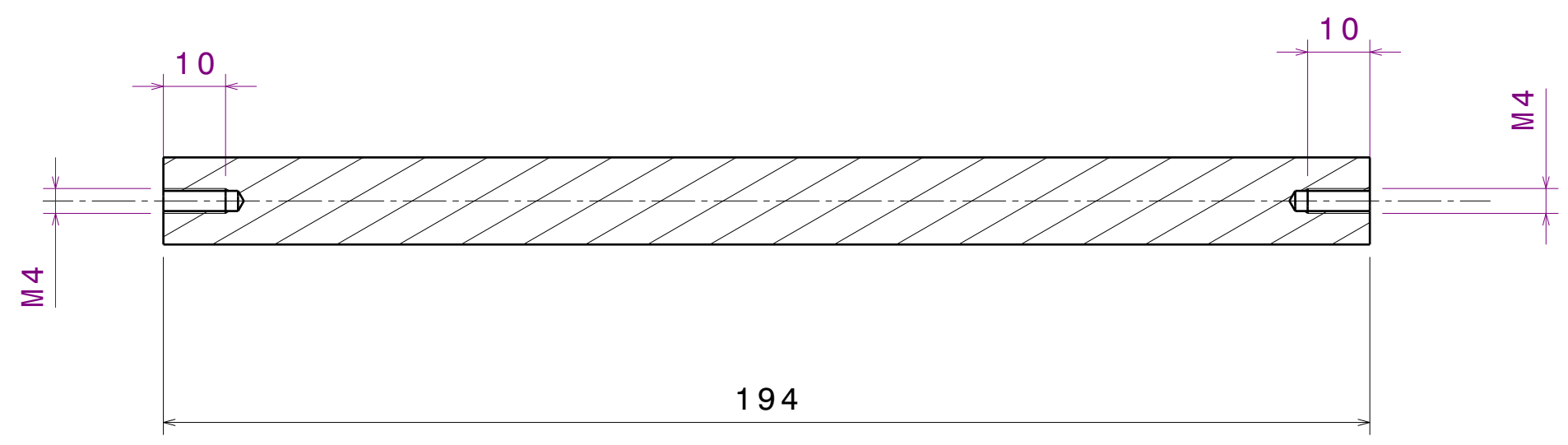
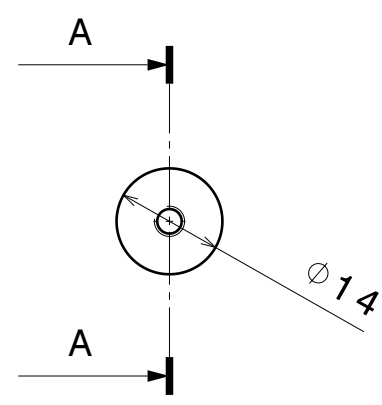
**XX-XXXX**

A B C D E F G H

6

6

SECTION A-A



5

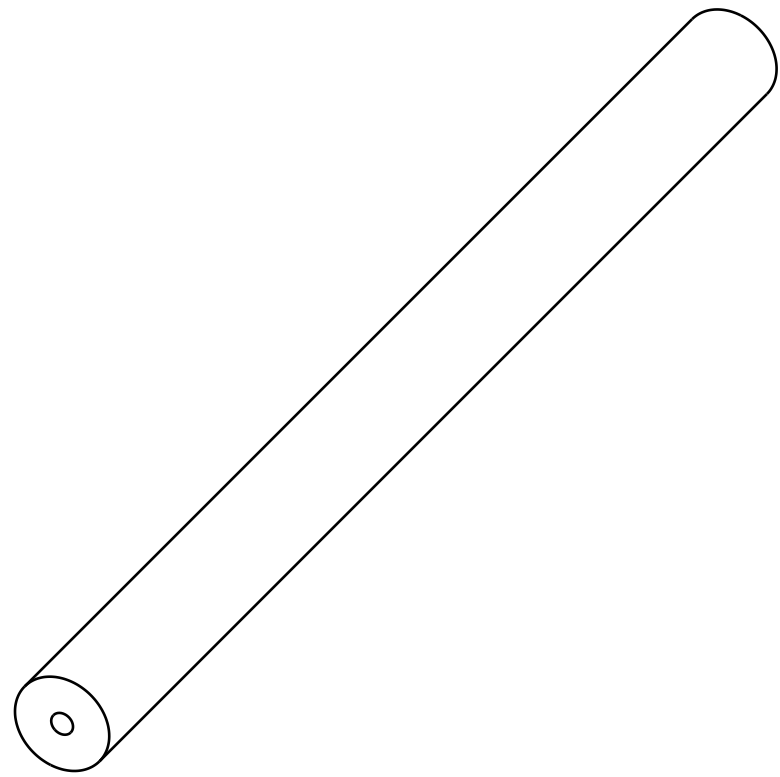
5

4

4

3

3



2

2

1

1

Pos	Num	Part Name	Material	Weight	Description
8	2	14mm Rod	G10		Amsler und Frei / CERN Shop?

Project:	WA105						Scale	Tot Pages				
Sub-Proj.:	Clip Test Setup CERN						1:1	6				
Assembly:								Page N°				
Created:	1.11.2016	Adamo Gendotti	Dimensions	From	1	6	30	100	300	1000		6
Last Mod.:			To	6	30	100	300	1000	2000			
Constructed:			Tolerance	±0.1	0.2	0.3	0.5	0.8	1.2			

<b>ETH zürich</b>	<b>14mm Rod</b>	<b>XX-XXXX</b>
-------------------	-----------------	----------------

A B C D E F G H