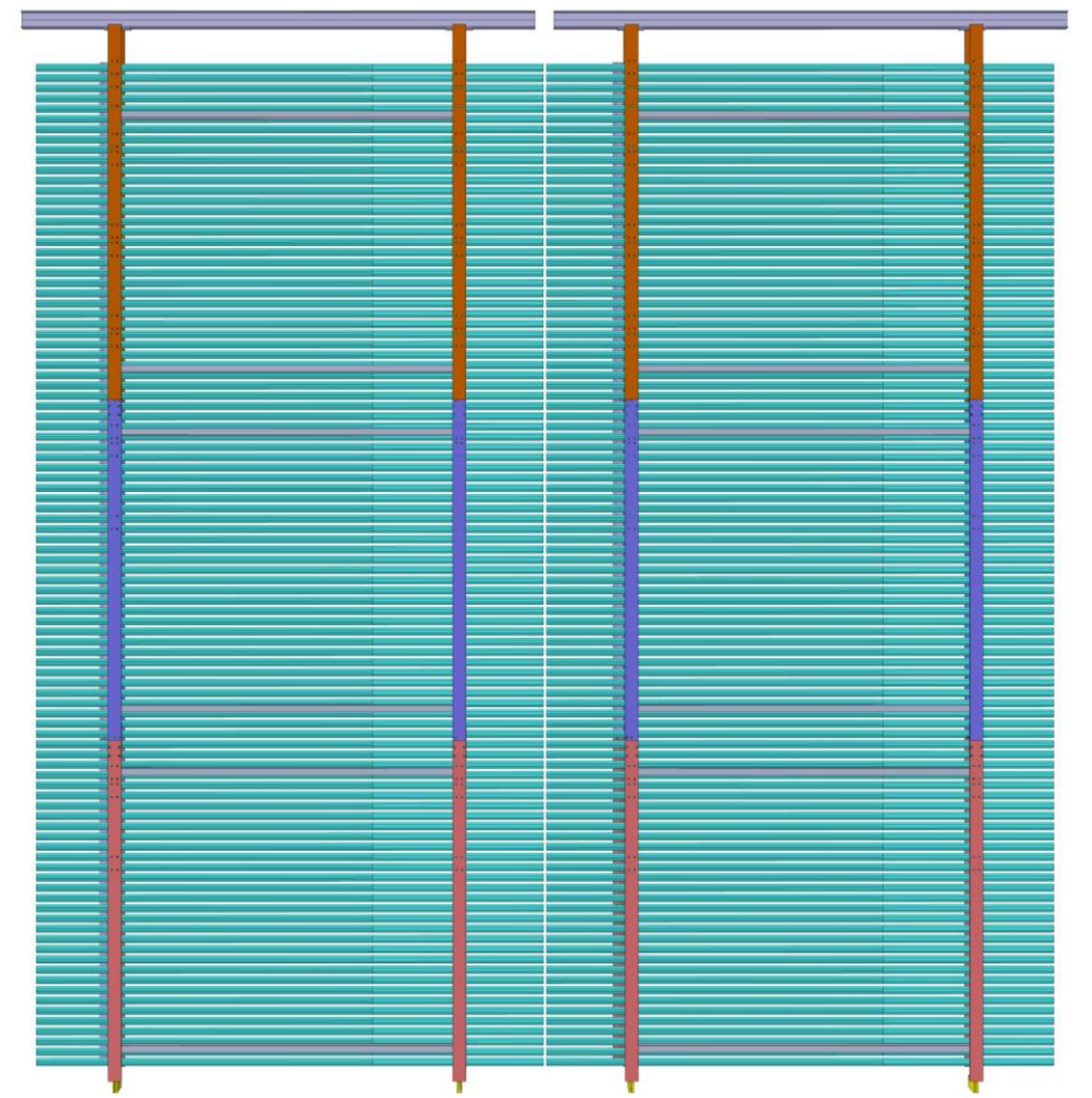


Stainless Steel Hanging Structure

Complete Field Cage

Corner Clip

Straight Clip



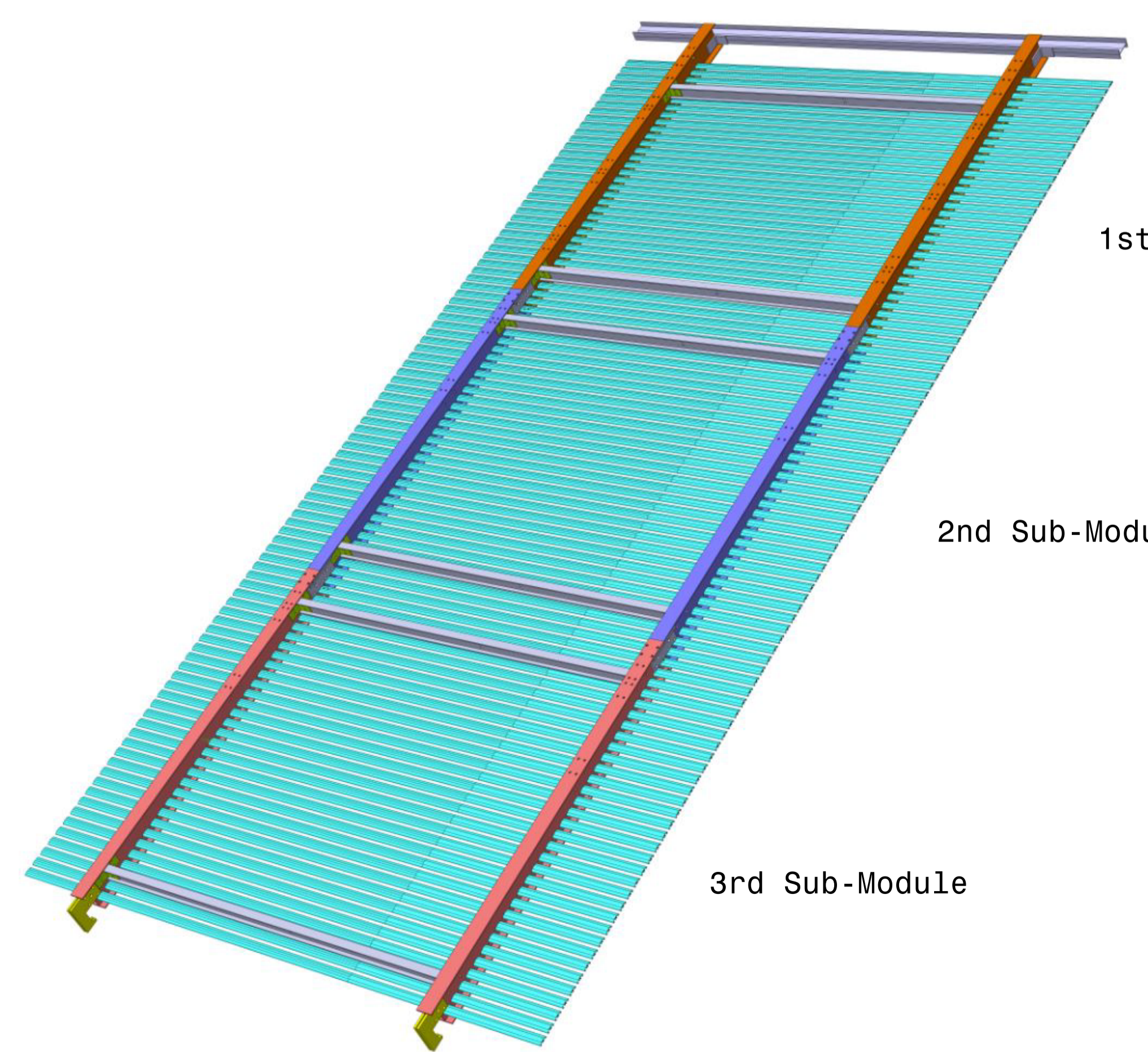
Full Module

Full Module Mirrored

Position of the vertical I-Beams are Mirrored respect to the Left Module

Complete single Module

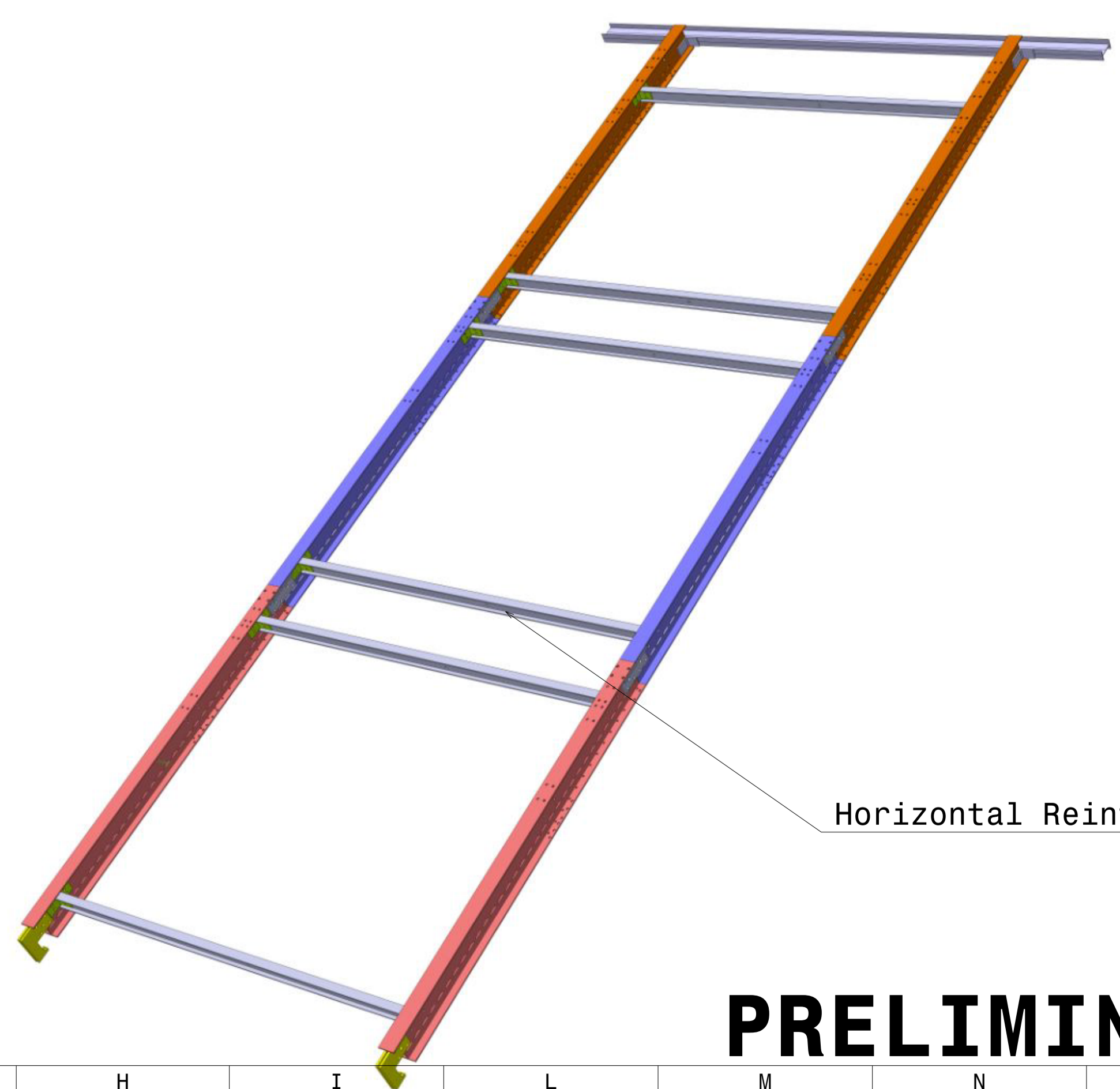
Mechanical Structure of a Single module



1st Sub-Module

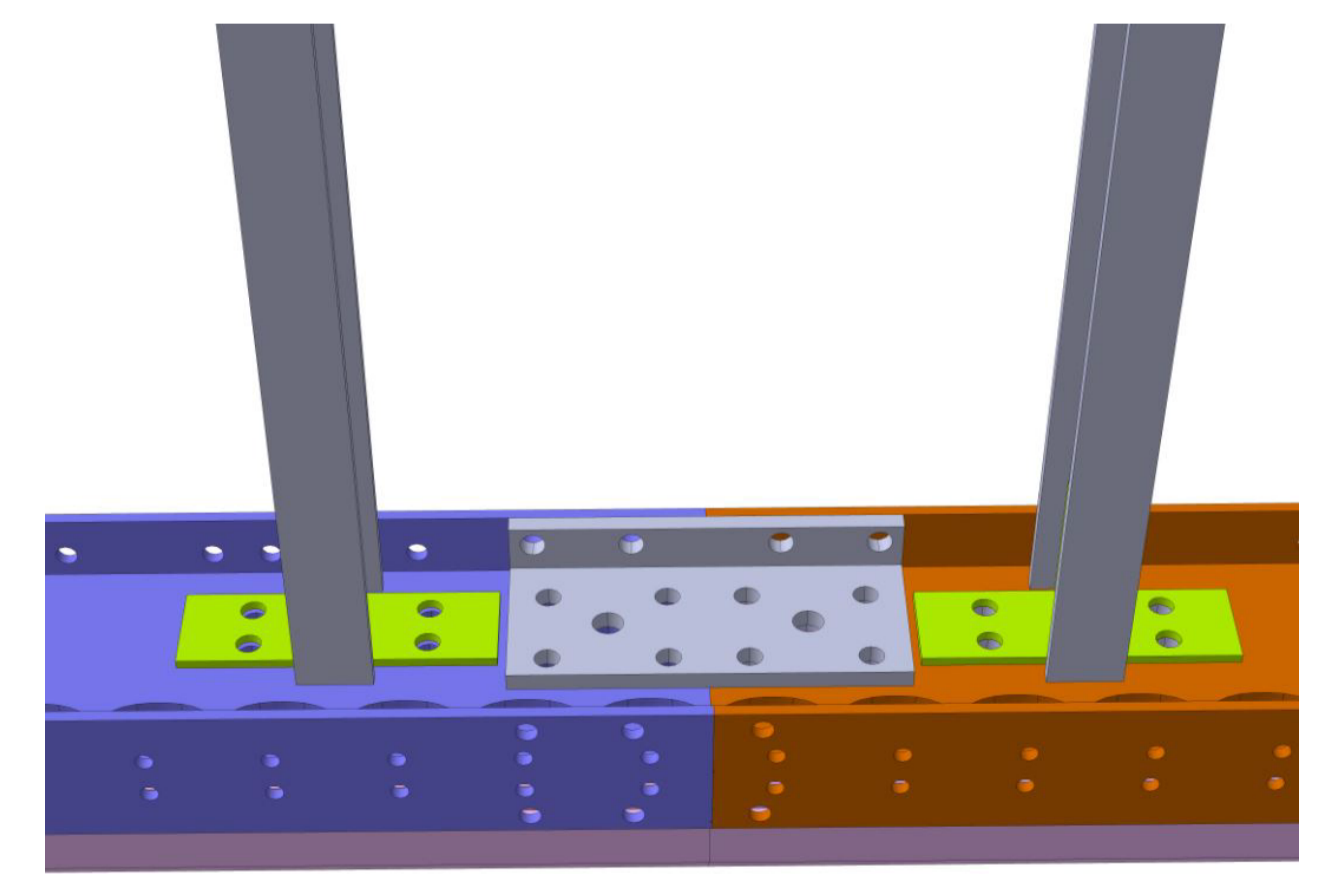
2nd Sub-Module

3rd Sub-Module



Horizontal Reinforcement Brackets

Bracket and Main I-Beam Junction



Project:	WA105	Scale:	1:1	Tot Pages:	1
Sub-Proj.:	SP Field Cage				
Assembly:	Assembly Group Name				
Created:	01.10.2016	Name:	Adamo Gendotti	From:	1 4 30 100 300 1000
Last Mod.:	DD.MM.YYYY	Name:		To:	6 30 100 300 1000 2000
Constructed:	DD.MM.YYYY	Name:		Tolerance:	±0.1 0.2 0.3 0.5 0.8 1.2

PRELIMINARY ETH zürich

Field Cage Overview

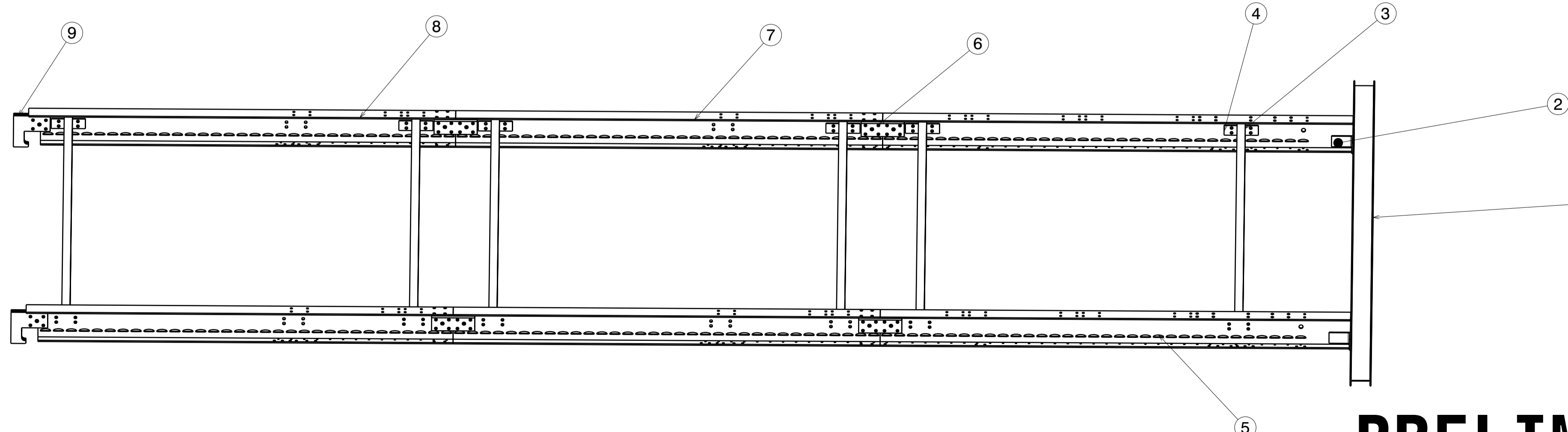
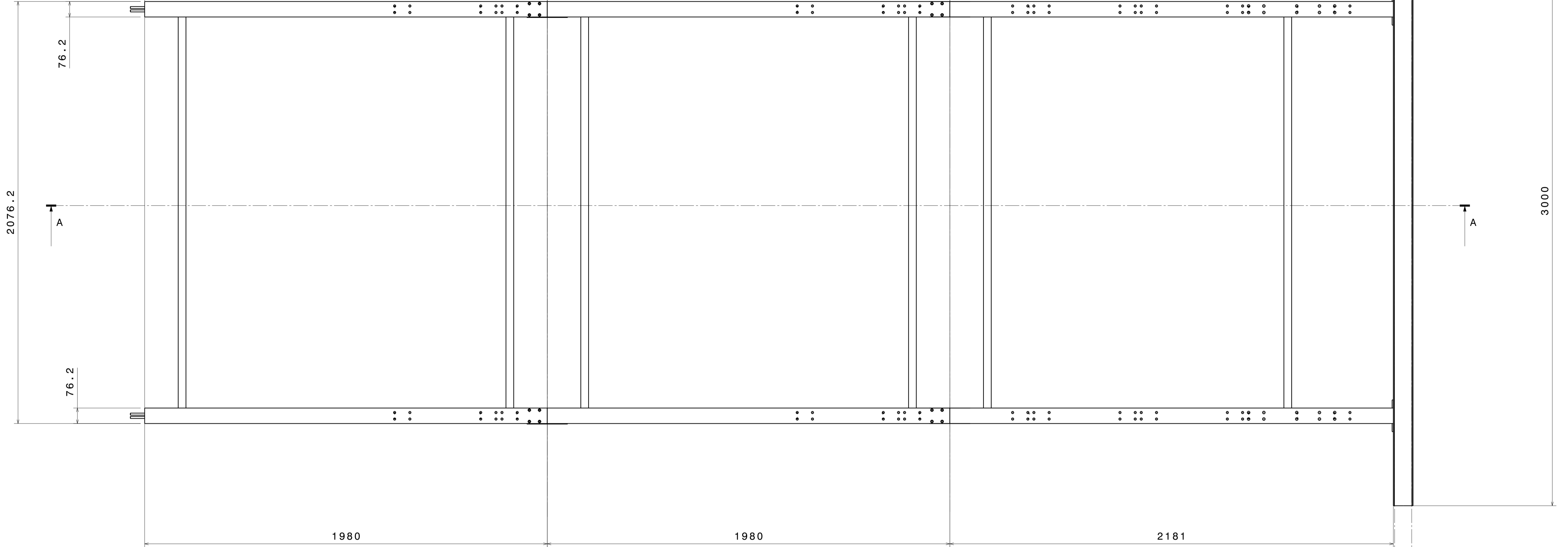
XX-XXXX

SECTION A-A

3rd Sub Module

2nd Sub-Module

1st Sub-Module



Pos	Nr	Mod. Nr	for FC	Part Name	Material	Nr. Drawing	Description
1	1	8		SS IPE 100	SS 304		Stainless Steel IPEAAA100 from Montanastahl
2	4	32		SS-L Connection	SS 304		Stainless Steel L-Profile or Custom Made Bended Sheet
3	6	48		FRP 3 Inch I-Beam	FRP		Length: 1994 mm
4	24	192		L-Bracket	FRP		76,2x76,2x4,75 (SP Design) Length: 50mm
5	2	16		1st Sub-Module 6 Inch I-Beam	FRP		Length: 2181mm
6	8	64		L-joint for 6 Inch I-Beam	FRP		90x34,93x9,525 (SP Design) Length 200mm
7	2	16		2nd Sub-Module 6 Inch I-Beam	FRP		Length: 1980mm
8	2	16		3rd Sub-Module 6 Inch I-Beam	FRP		Length: 1980mm
9	4	32		Cathode Support Connection	FRP		Can be FR4 Plate water-jet cutted
10							

Project:	WA105	Scale:	1:10	Tot Pages:	1
Sub-Proj.:	Field Cage				
Assembly:	Field Cage Module				
Created:	01.10.2016	Name:	Adamo Gendotti	Dimensions:	From 1 6 30 100 300 1000
Last Mod.:	DD.MM.YYYY	Name:		To:	6 30 100 300 1000 2000
Constructed:	DD.MM.YYYY	Name:		Tolerance:	±0.1 0.2 0.3 0.5 0.8 1.2

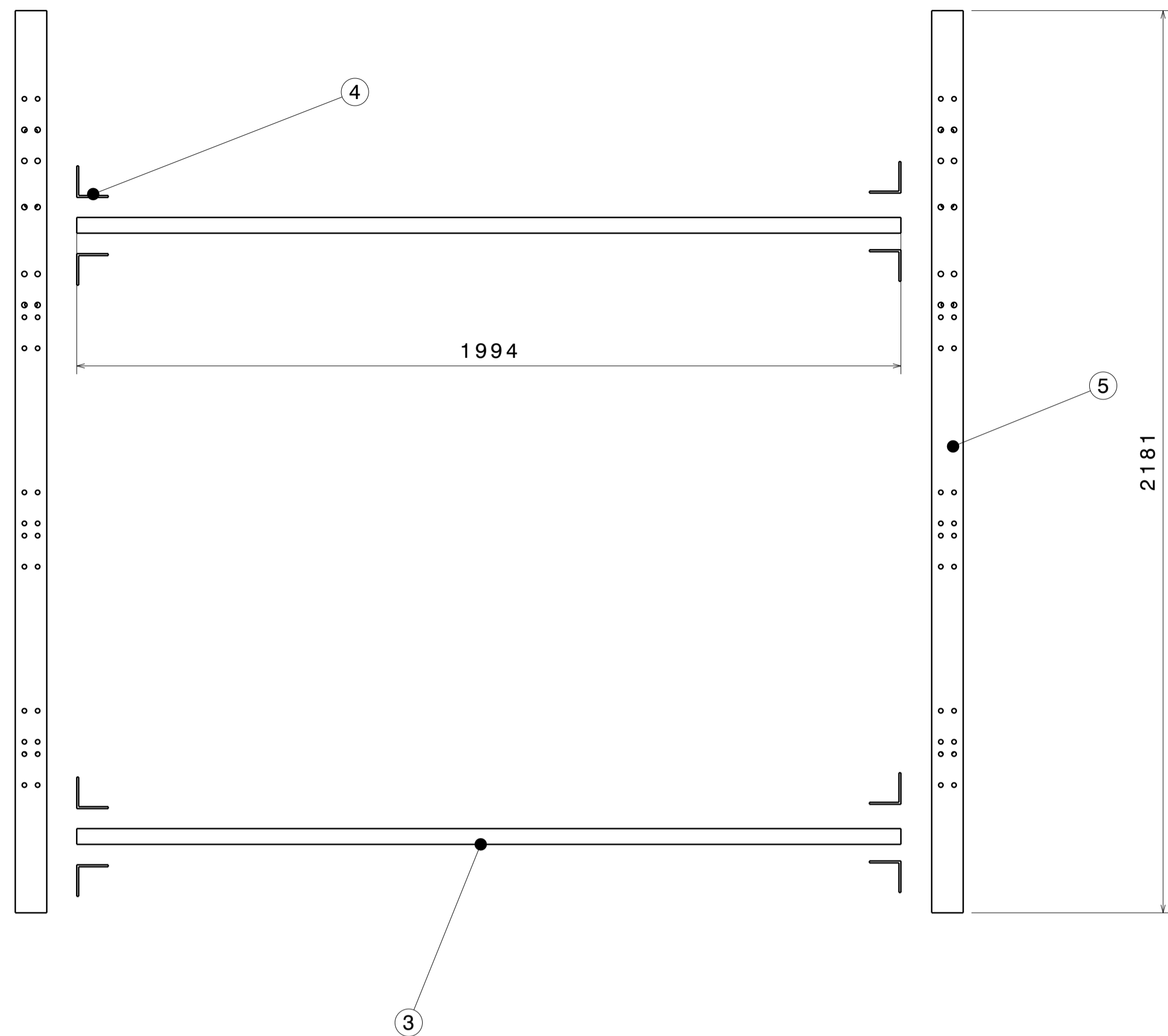
PRELIMINARY

ETH zürich

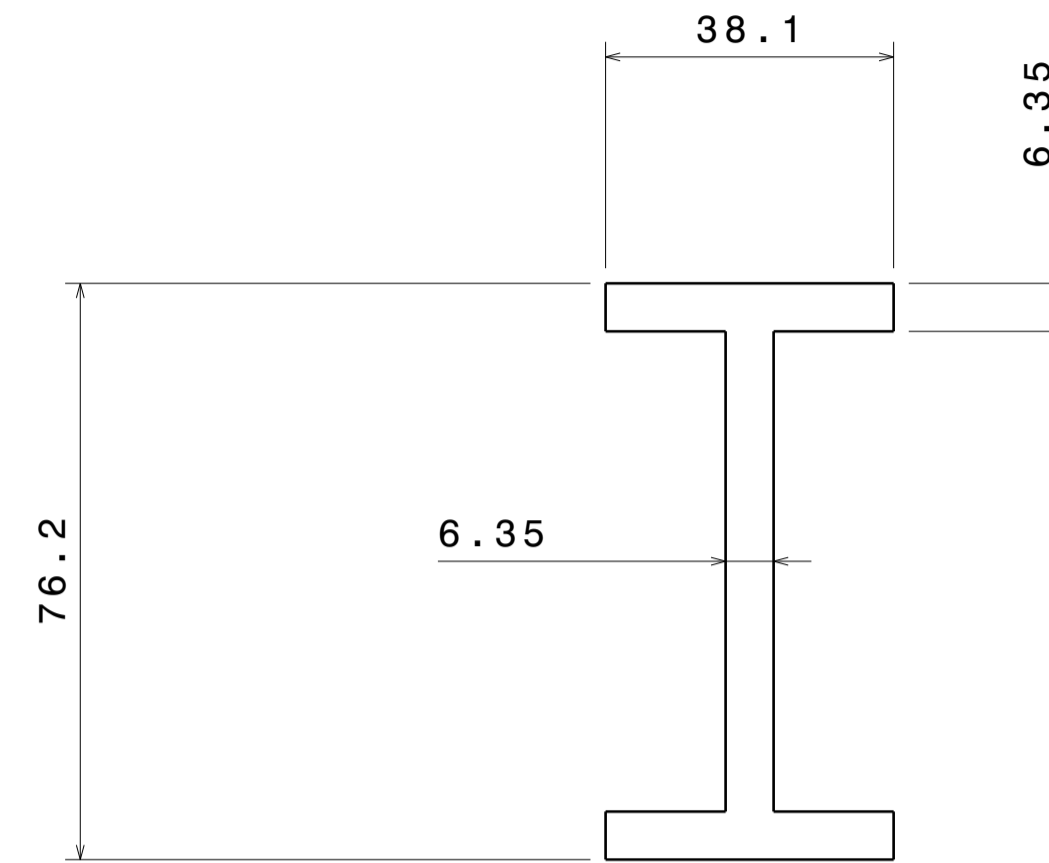
FC Module Design

XX-XXXX

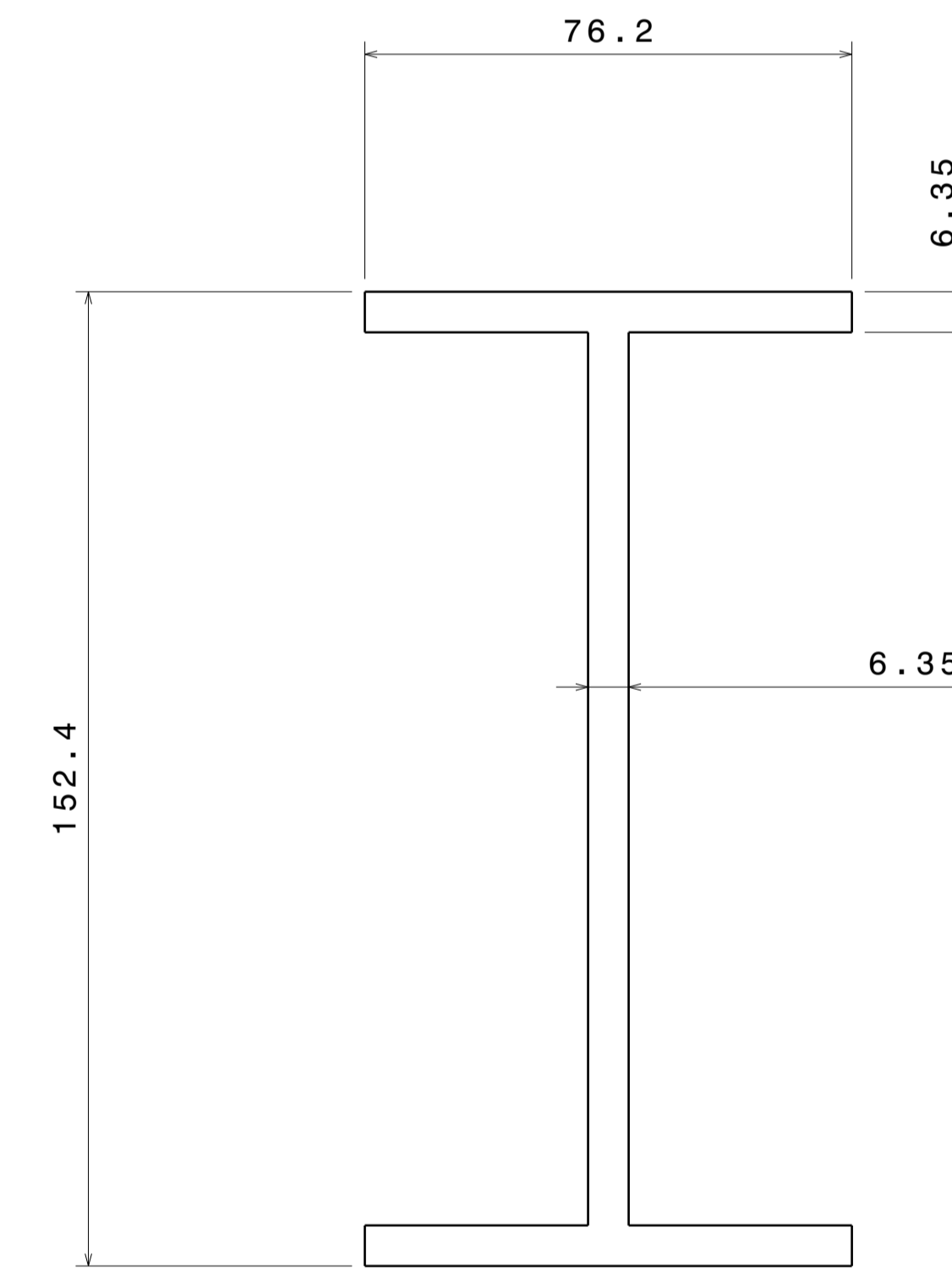
1st Sub-Module with US-Standard FRP Profiles



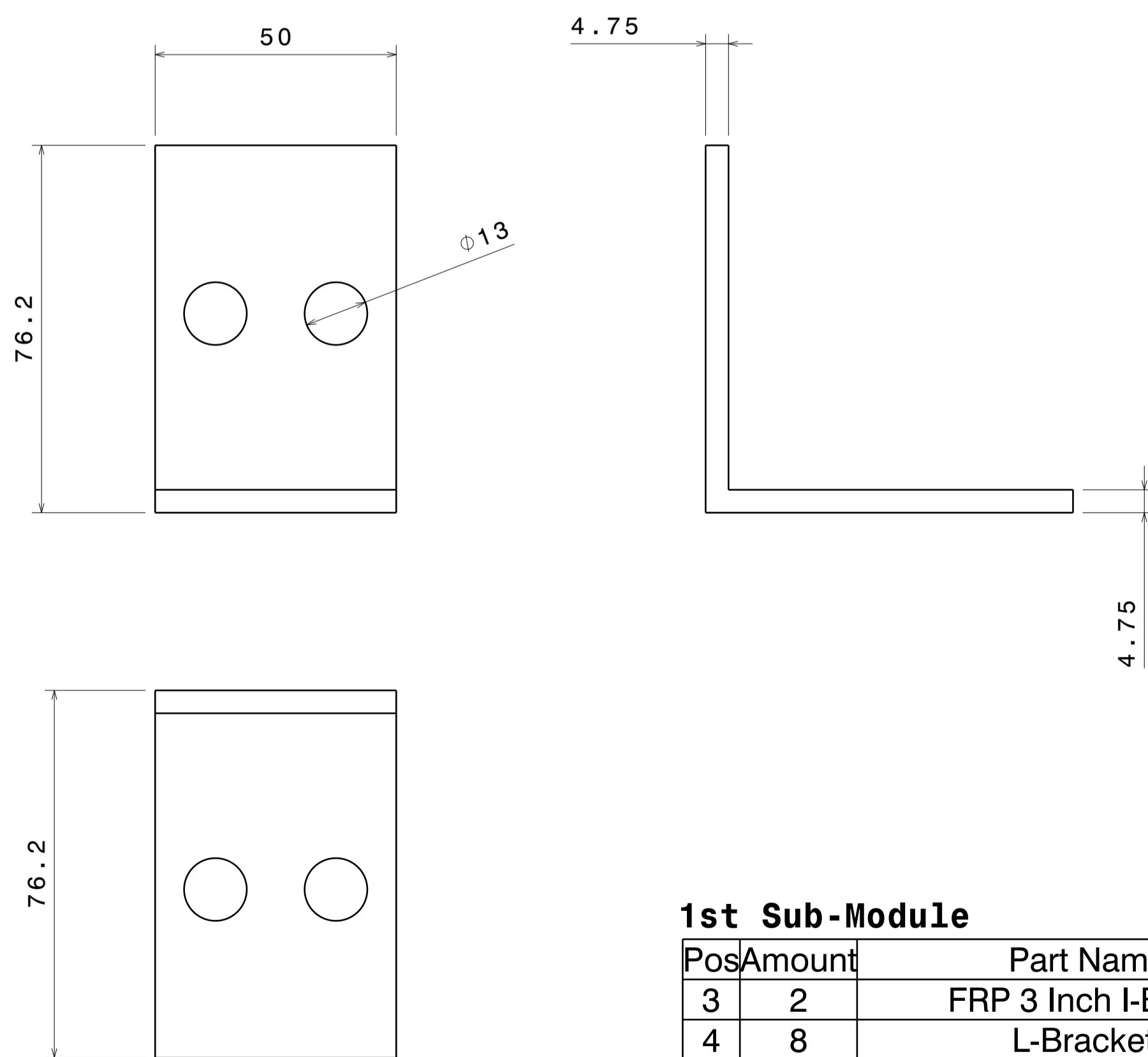
Pos 3: 3 inch I-Beam



Pos 5: 6 inch I-Beam



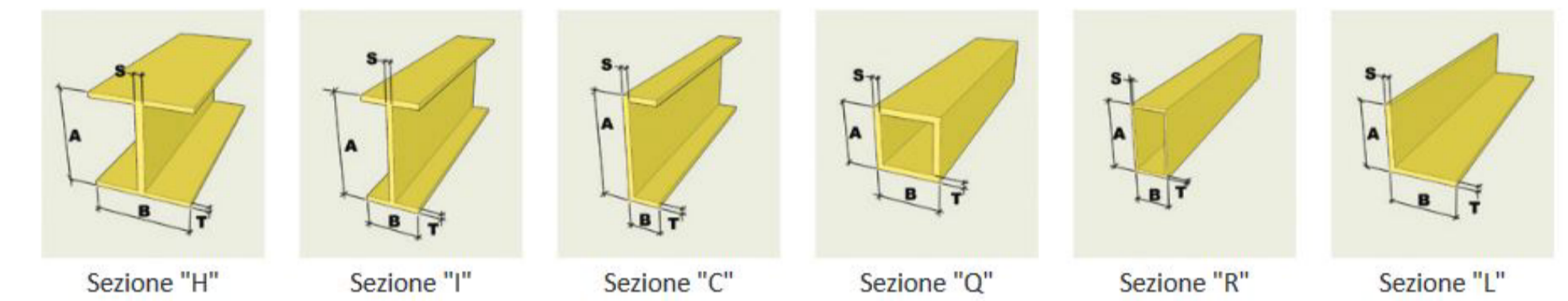
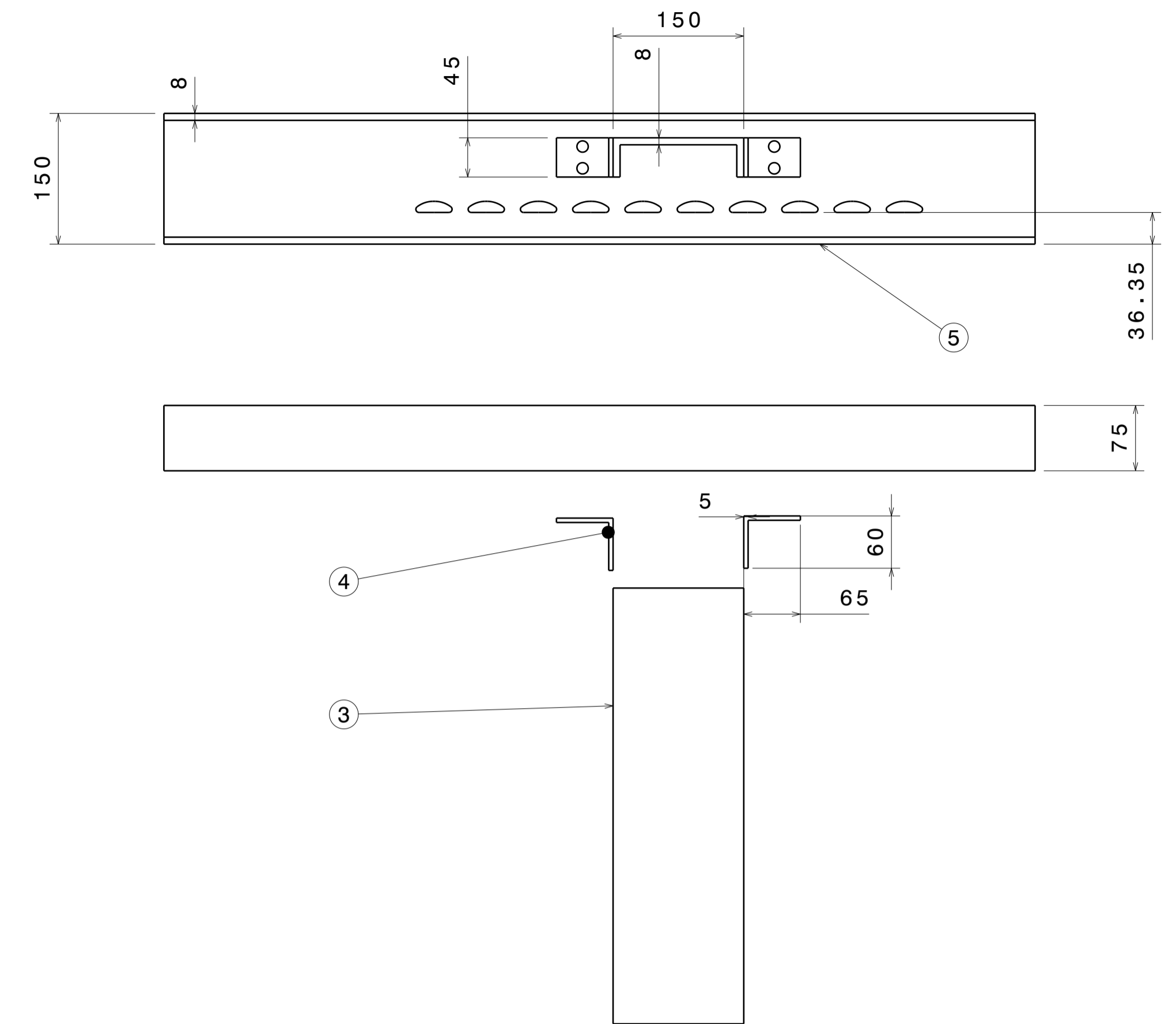
Pos 4: L-Bracket



1st Sub-Module

Pos	Amount	Part Name	Material	Nr. Drawing	Description
3	2	FRP 3 Inch I-Beam	FRP		Lenght 1994 mm
4	8	L-Bracket	FRP		76,2x76,2x4,75 (SP Design) Lenght: 50mm
5	2	1st Sub-Module 6 Inch I-Beam	FRP		Lenght: 2181mm

1st Sub-Module with Eurograte Standard FRP Profiles



SEZIONI STANDARD

TIPO PROFILO (mm)	A mm	B mm	T mm	S mm	S mm ²	kg/m	I _{xx} mm ⁴	W _{xx} mm ³	r mm	I _{yy} mm ⁴	W _{yy} mm ³	r mm	J mm ⁴
H - 200x200x15x10	200	200	10	15	6.700	11,7	43.423.333	434.233	81	13.383.958	133.840	45	358.333
I - 200x100x10x10	200	100	10	10	3.800	6,5	22.926.667	229.267	78	1.681.667	33.633	21	133.333
I - 150x75x8x8	150	75	8	8	2.272	3,9	7.659.669	102.129	58	568.217	15.152	16	51.200
I - 120x60x8x8	120	60	8	8	1.792	3,2	3.765.589	62.780	46	292.430	9.748	13	40.960
I - 100x50x8x8	100	50	8	8	1.472	2,6	2.092.203	41.844	38	170.251	6.810	11	34.133
C - 300x100x15x15	300	100	15	15	7.050	12,5	85.579.000	570.525	110	5.688.800	75.850	28	562.500
C - 200x60x10x10	200	60	10	10	3.000	6,1	15.700.000	157.000	72	825.000	18.333	17	106.667
C - 150x45x8x8	150	45	8	8	1.792	3,5	5.237.429	69.832,4	8,6	274.629	8.181	12	40.960
C - 90x35x8x8	90	35	8	8	1.152	2,13	1.214.496	26.989	32	112.772	4.622	10	27.307
Q - 90x90x8x8	90	90	8	8	2.624	4,64	2.968.619	37.774	34	2.968.619	37.774	34	46.080
Q - 50x50x5x5	50	50	5	5	900	1,66	307.500	12.300	18	307.500	12.300	18	6.250
Q - 50x50x3x3	50	50	3	3	564	1,0	208.490	8.340	19	208.490	8.340	19	1.350
R - 85x25x3x4	85	25	4	3	1.300	2,4	920.833	26.310	27	920.833	26.833	27	8.750
L - 100x100x8x8	100	100	8	8	1.536	2,6	1.486.046	20.158	31	12.983.858	176.127	10,7	17.066
L - 75x50x8x8	75	50	8	8	936	1,5	526.235	10.362	18,5	2.623.191	51.656	5,8	8.533
L - 65x60x5x5	65	60	5	5	600	1,2	304.888	8.329	14	91.499	24.997	4	2.500
L - 50x45x5x5	50	45	5	5	450	0,83	133.689	4.851	9	244.921	8.888	2,4	1.875
L - 35x35x5x5	35	35	5	5	325	0,55	43.623	2.215	5,3	38.605	1.960	1,1	1.458

5
L=2180mm

3
L=1992mm

4
L=45mm

PRELIMINARY

Project:	WA105	Scale:	1:10	Tot Pages:	1
Sub-Proj.:	Field Cage	Assembly:	Field Cage 1st Sub-Module	Page N°:	1
Created:	01.10.2016	Created:	Adamo Gendotti	Dimensions:	From 1 6 30 100 300 1000 To 6 30 100 300 1000 2000
Last Mod.:	DD.MM.YYYY	Name:		Tolerance:	±0.1 0.2 0.3 0.5 0.8 1.2
Constructed:	DD.MM.YYYY	Name:			

1st Sub Module for Mockup

XX-XXXX