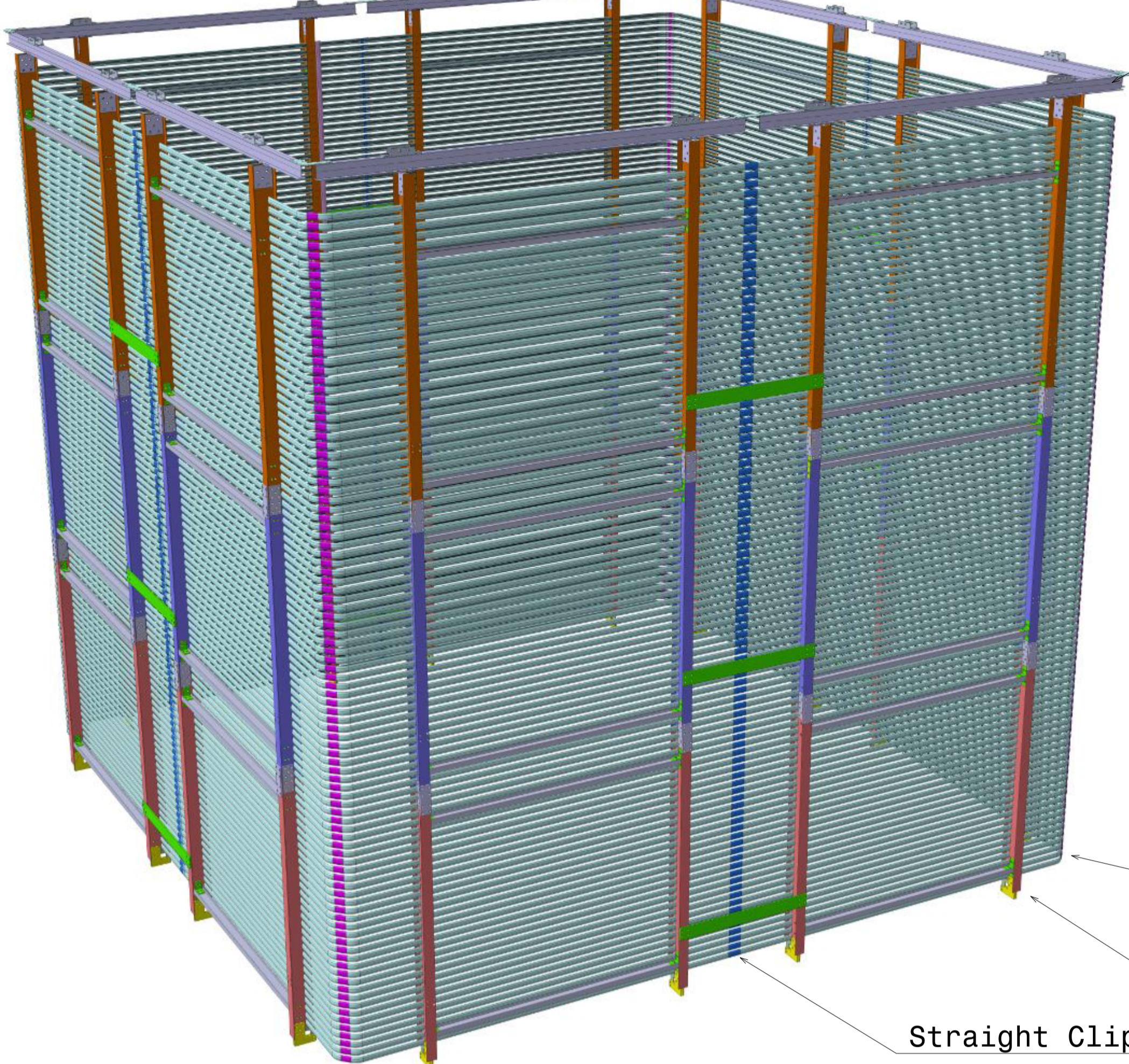
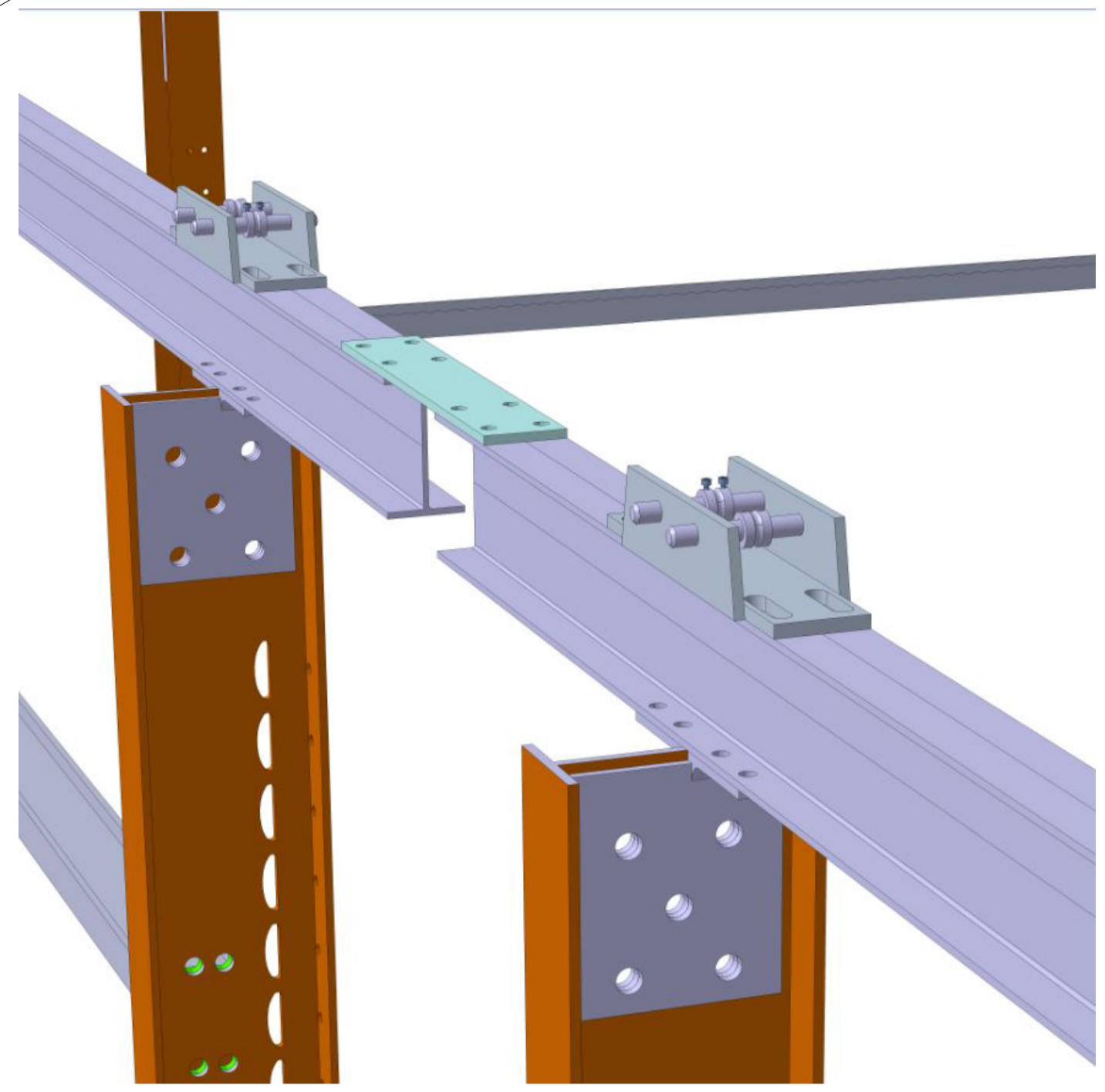


**Complete Field Cage**



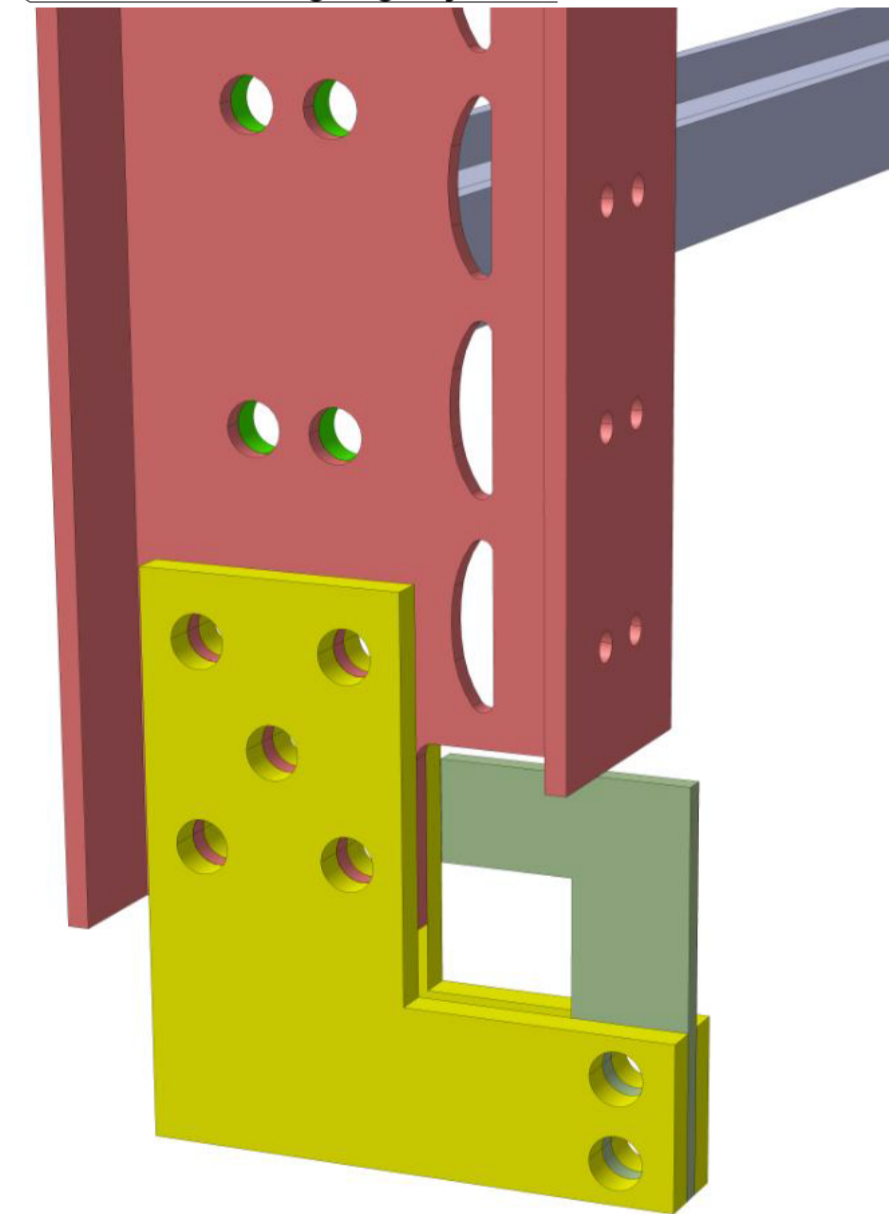
**Stainless Steel Hanging Structure**



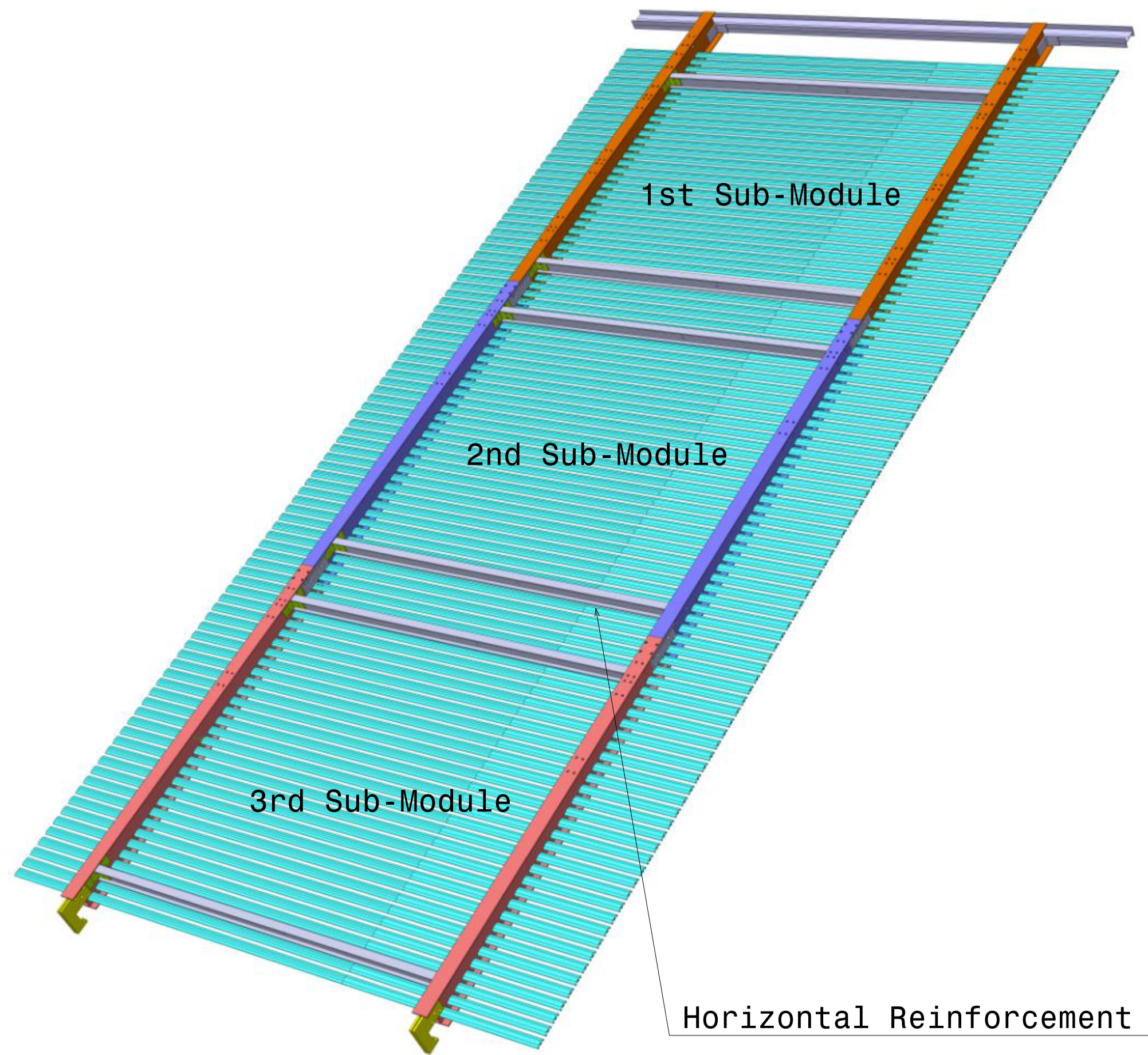
**Corner Clip**

**Straight Clip**

**Cathode Hanging System**



**Complete single Module**

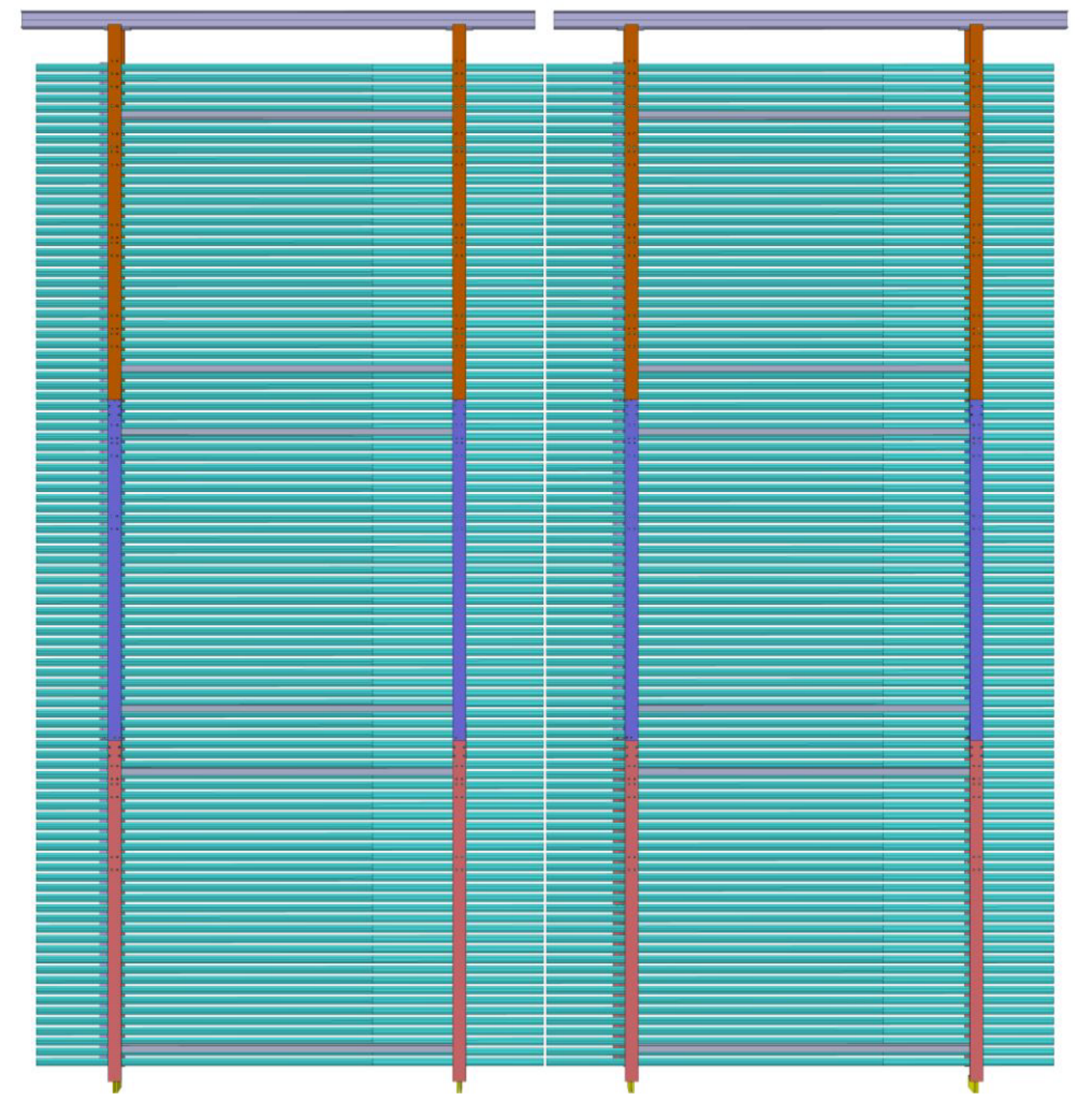


1st Sub-Module

2nd Sub-Module

3rd Sub-Module

**Horizontal Reinforcement Brackets**

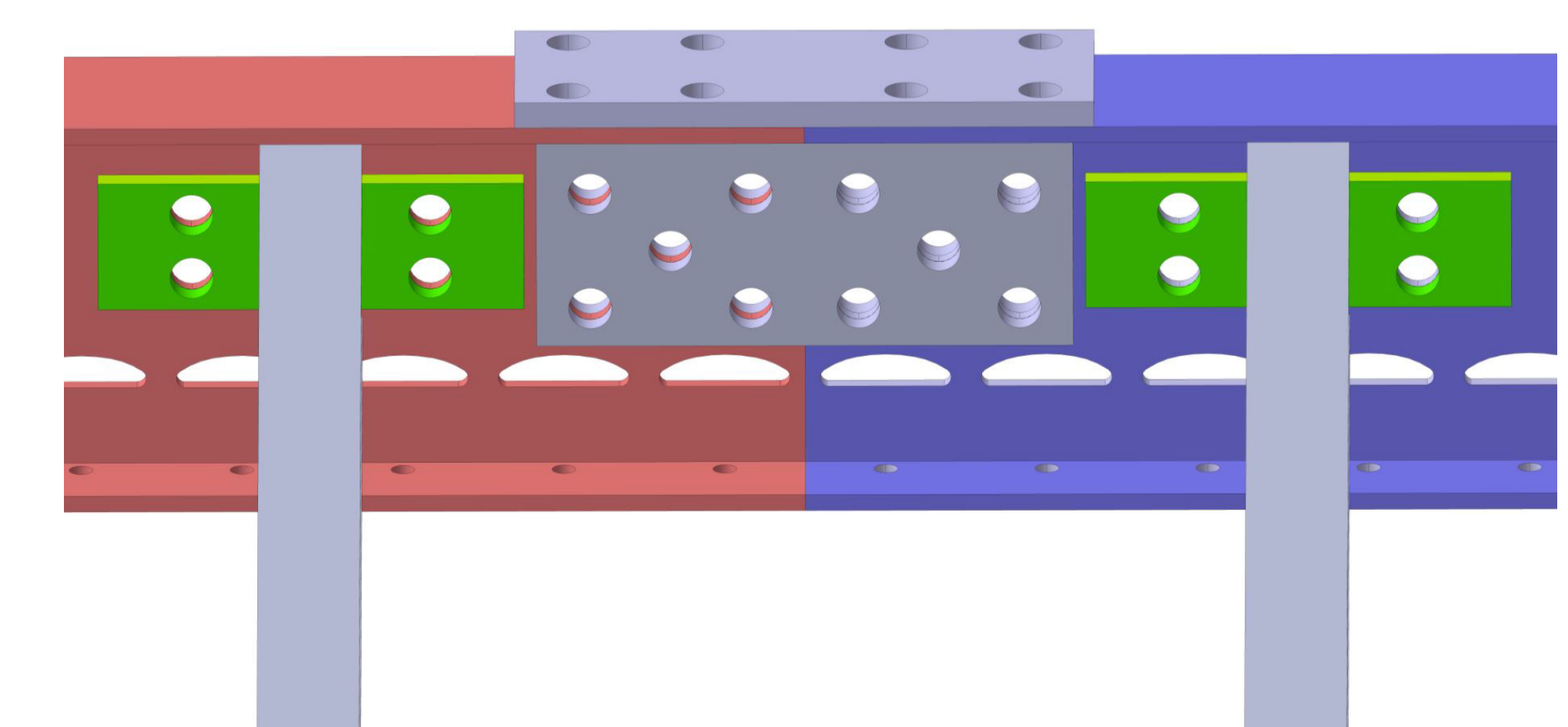


**Full Module**

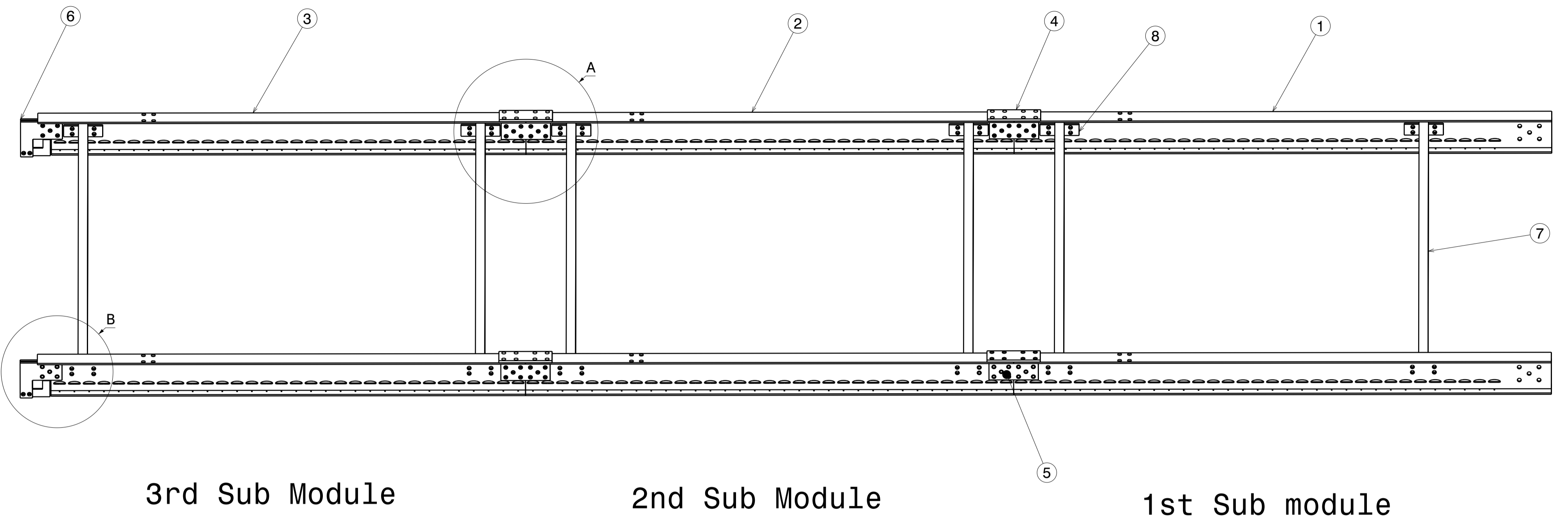
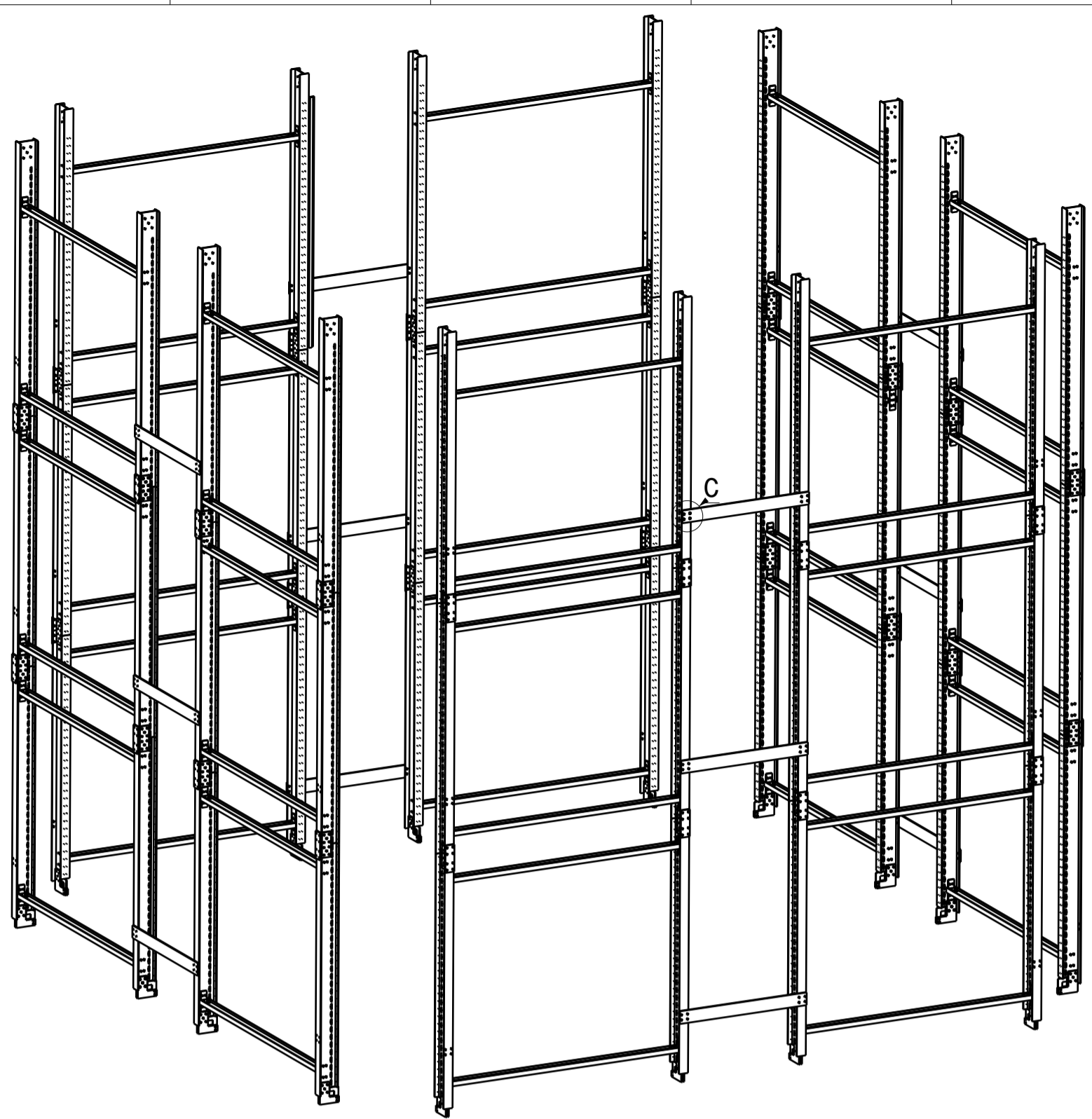
**Full Module Mirrored**

Module is the Same.  
Position of the Alu Profiles  
and connection points to  
SS I-Beam are Mirrored

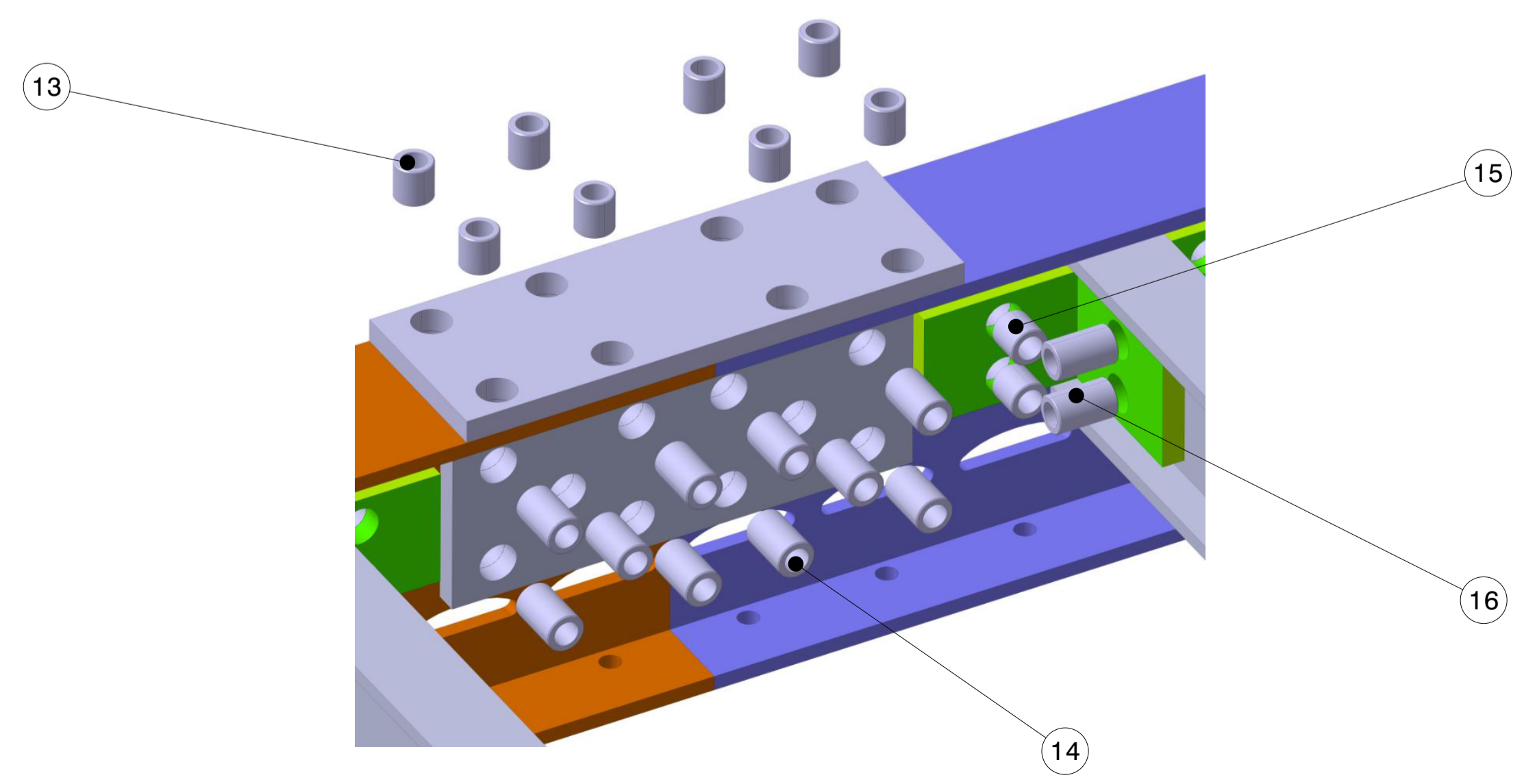
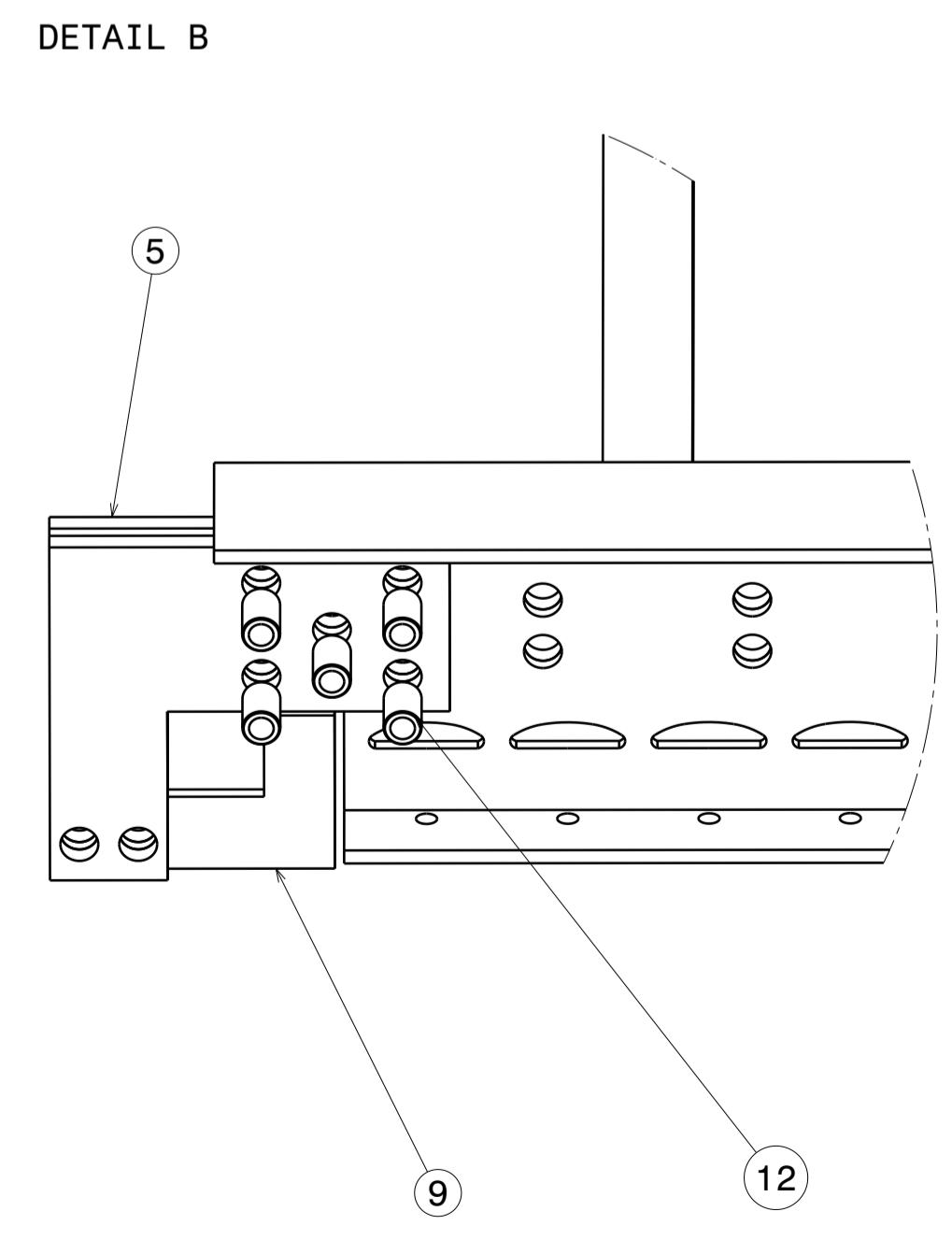
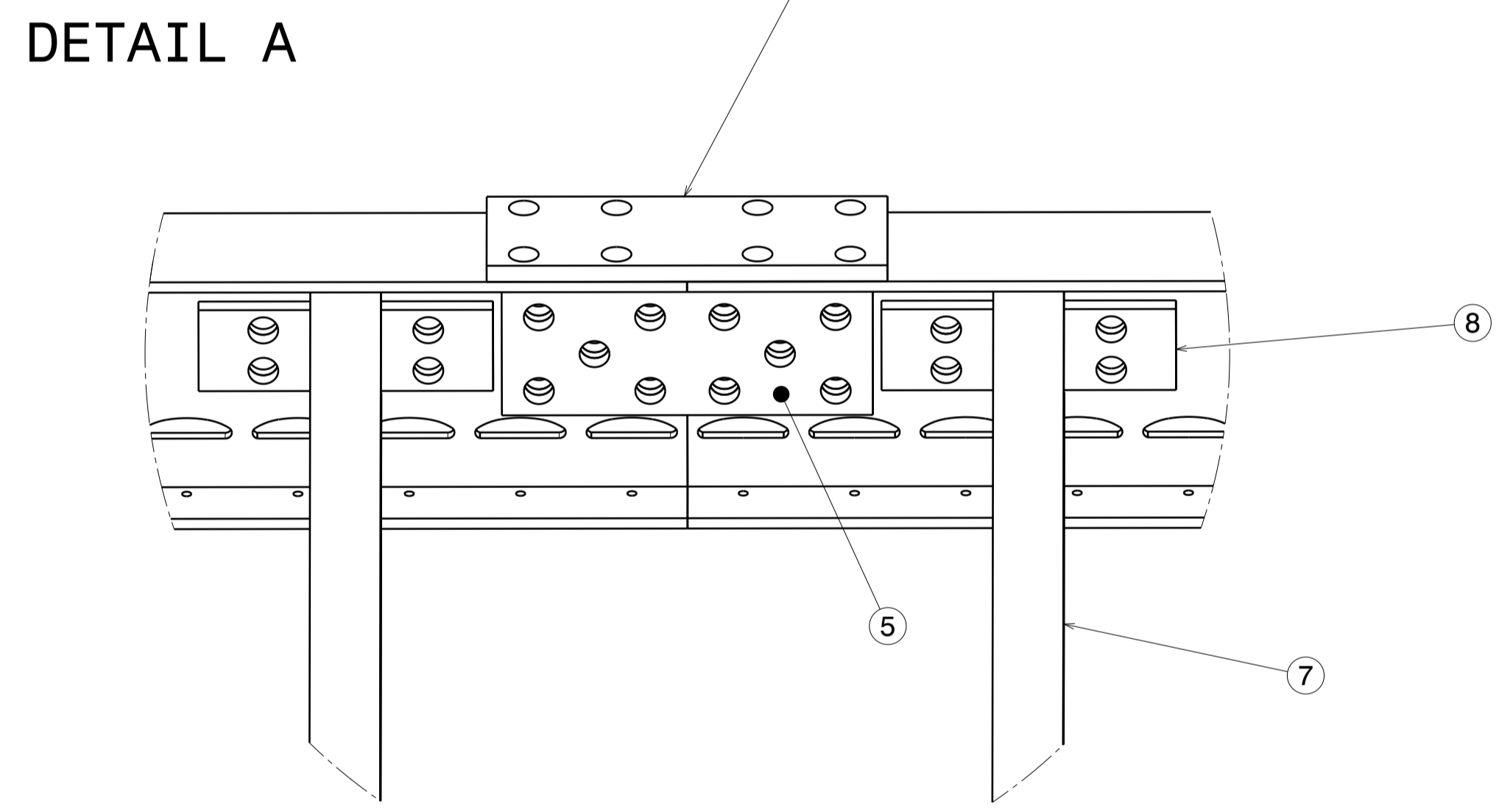
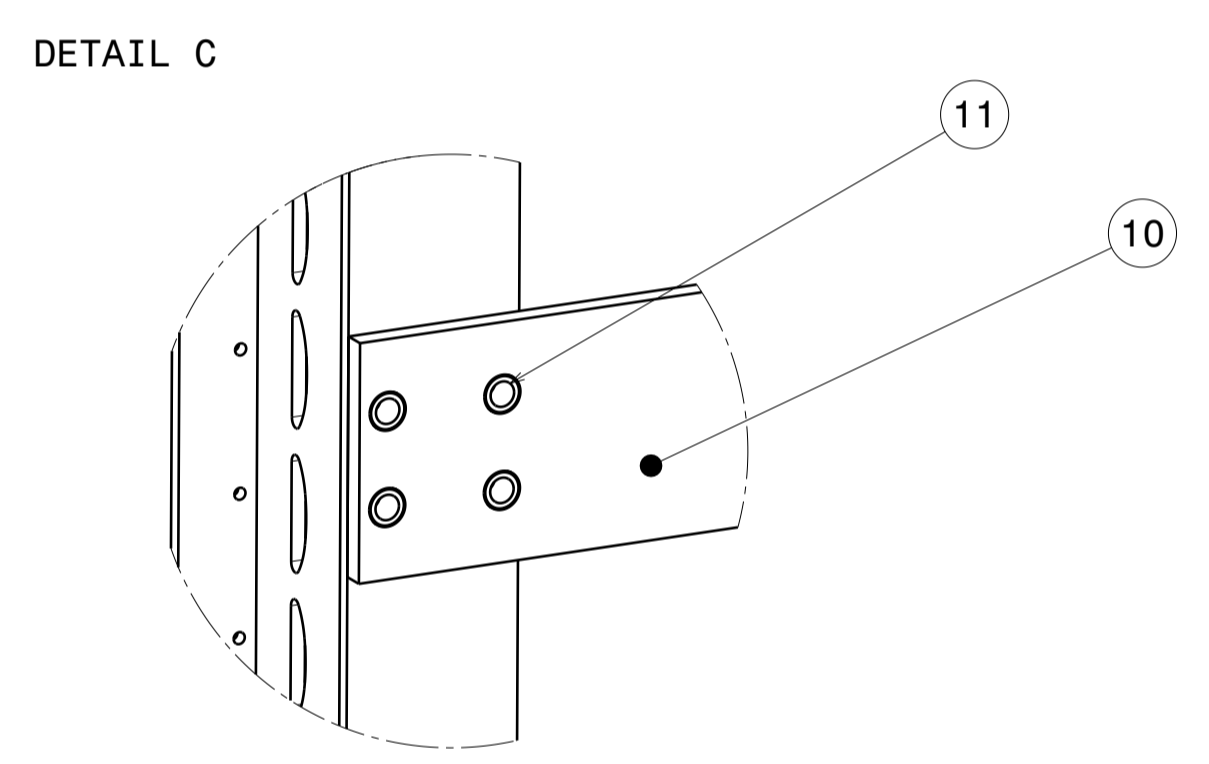
**Bracket and Main I-Beam Junction**



Project:	WA105	Scale:	-	Tot Pages:	18
Sub-Proj.:	DP Field Cage				
Assembly:	Assembly Group Name				
Created:	29.11.2016	Name:	Adamo Gendotti	Dimensions:	From 1 6 30 100 300 1000 To 6 30 100 300 1000 2000
Last Mod.:	DD.MM.YYYY	Name:		Tolerance:	±0.1 0.2 0.3 0.5 0.8 1.2
Constructed:	DD.MM.YYYY	Name:			



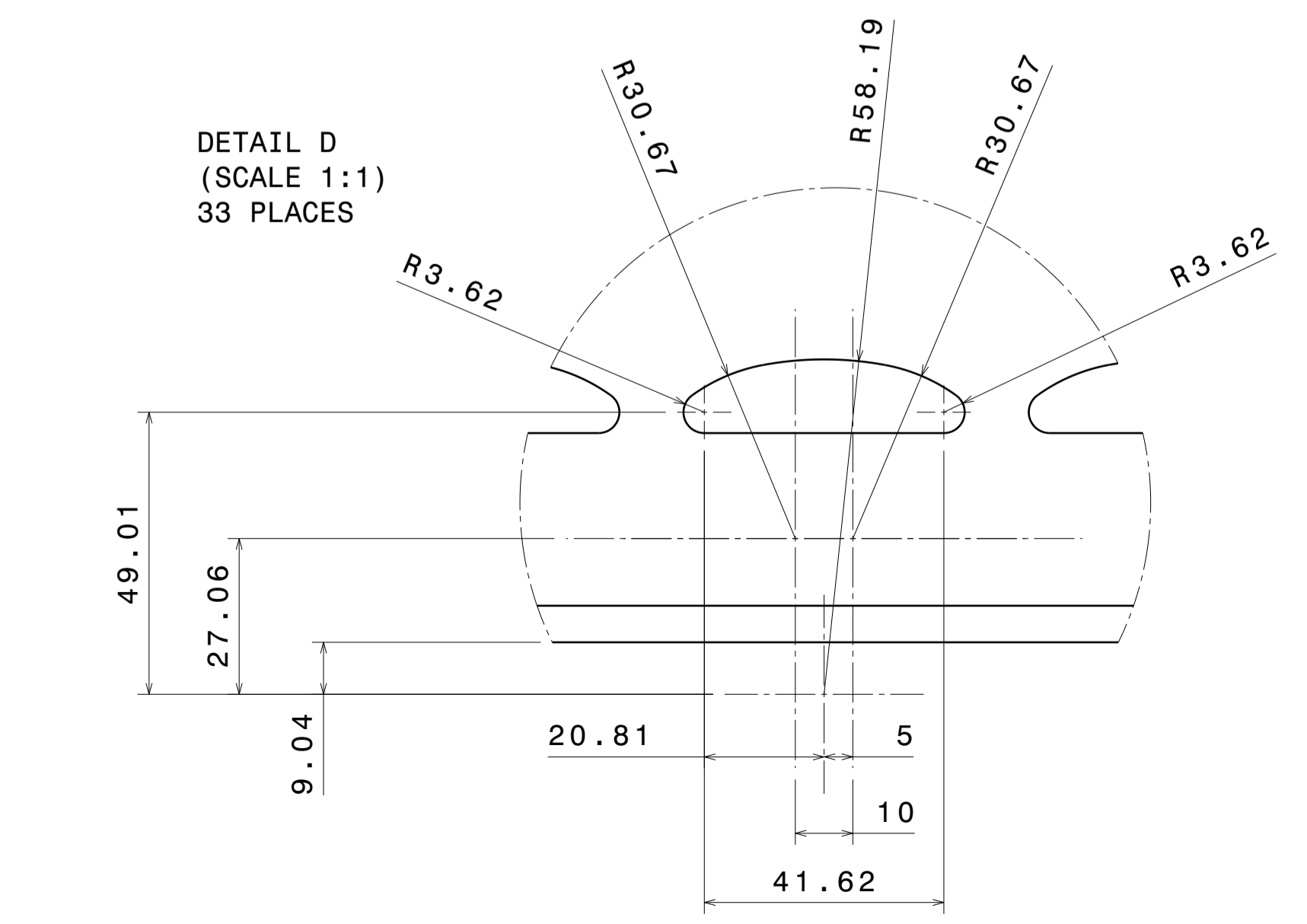
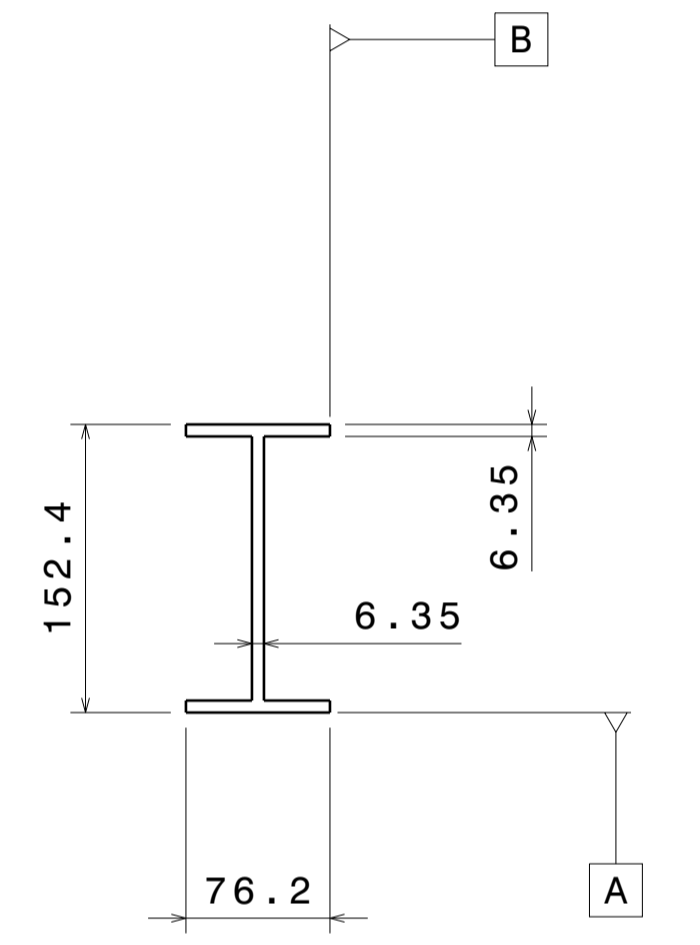
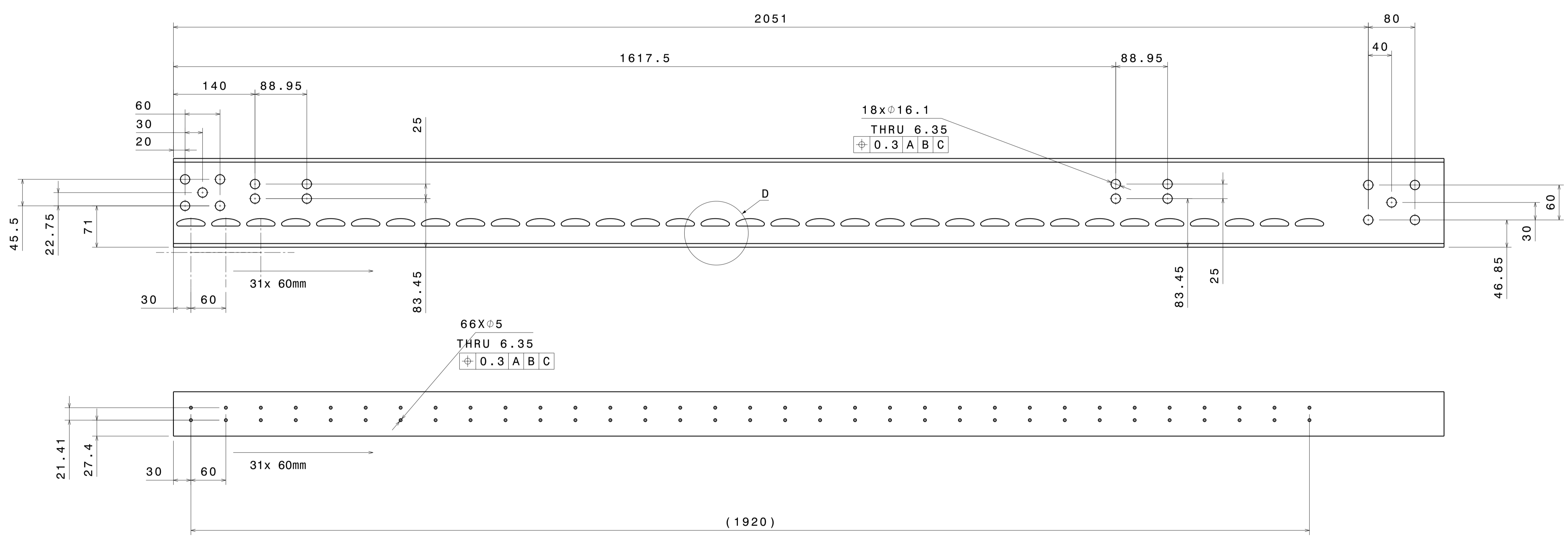
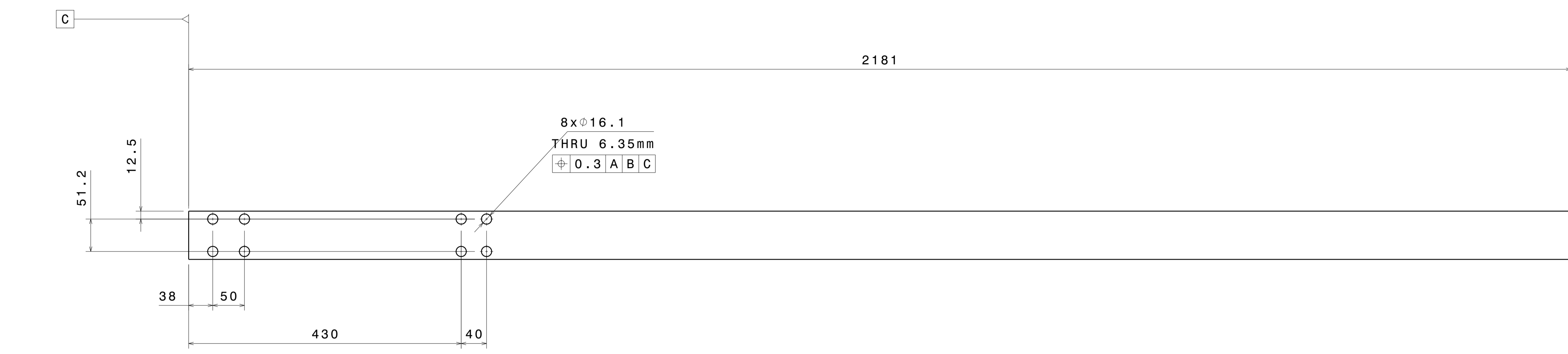
3rd Sub Module                      2nd Sub Module                      1st Sub module



Pos	Part Name	Part Number	Material	Quantity	Description
1	1st Sub Module Main Beam	DP-FC-002	FRP	16	6 Inch I-Beam
2	2nd Sub Module Main Beam	DP-FC-003	FRP	16	6 Inch I-Beam
3	3rd Sub Module Main Beam	DP-FC-004	FRP	16	6 Inch I-Beam
4	Fixing Plate Sub Modules 1	DP-FC-005	G10/FR4	32	
5	Fixing Plate Sub Modules 2	DP-FC-006	G10/FR4	64	
6	Cathode Fixing Plate	DP-FC-007	G10/FR4	32	
7	Horizontal Beam	DP-FC-008	FRP	48	3 Inch I-Beam
8	Horizontal Beam L-Profile	DP-FC-009	FRP	192	3x3x1/4 Inch L
9	Cathode Blocking Plate	DP-FC-010	G10/FR4	16	
10	Plate Between Modules	DP-FC-011	G10/FR4	12	
11	Insert for Modules Plate	DP-FC-012	G10/FR4	96	
12	Insert for Cathode Connection	DP-FC-013	G10/FR4	112	
13	Insert Sub Modules 1	DP-FC-014	G10/FR4	256	
14	Insert Sub Modules 2	DP-FC-015	G10/FR4	320	
15	Insert for L Short	DP-FC-016	G10/FR4	384	
16	Insert for L Long	DP-FC-017	G10/FR4	192	

Project:	WA105	Scale:	-	Tot Pages:	18
Sub-Proj.:	DP Field Cage	Page N°:	2		
Assembly:	Assembly Group Name				
Created:	29.11.2016 Adamo Gendotti	Dimensions:	From 1 4 30 100 300 1000		
Last Mod.:	DD.MM.YYYY Name	To 6 30 100 300 1000 2000			
Constructed:	DD.MM.YYYY Name	Tolerance	±0.1 0.2 0.3 0.5 0.8 1.2		

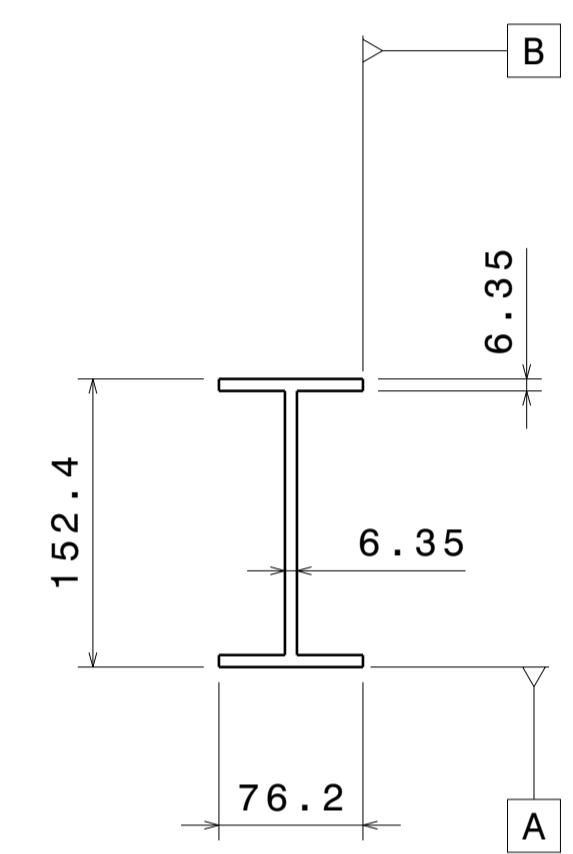
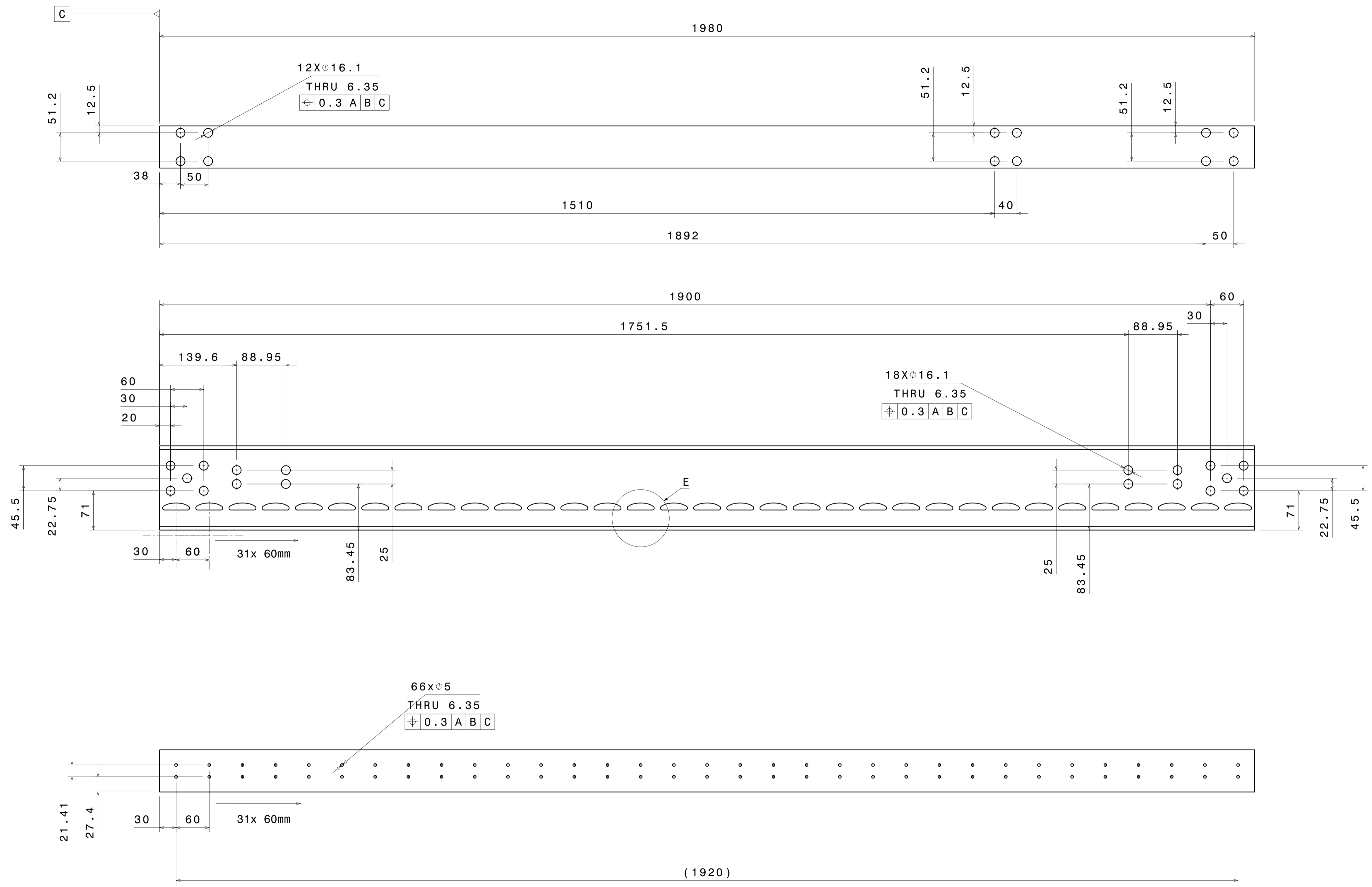
**ETH** zürich    Field Cage Modules Overview    DP-FC-001



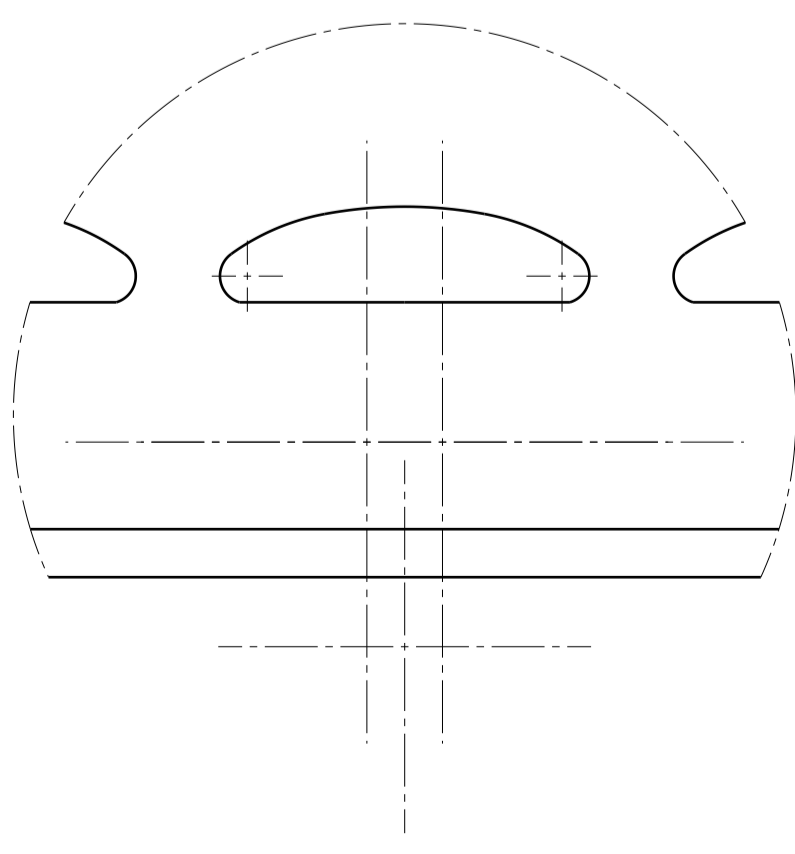
Pos	Part Name	Part Number	Material	Quantity	Description
1	1st Sub Module Main Beam	DP-FC-002	FRP	16	NOTES: 1-MATERIAL: 6 INCH x 3 INCH x 1/4 INCH FIBERGLASS FRP ANGLE 2-USE .6350 INCH REAMER

UNLESS OTHERWISE SPECIFIED:  
UNTOLERANCED DIMESNION ARE BASIC  
VALUES QUERIED FROM 3-D DIGITAL  
DATE FILE  
0.5 A B C

Project: WA105	Scale: 1:4 (1:1)	Tot Pages: 18
Sub-Proj: DP Field Cage		
Assembly: Assembly Group Name		
Created: 29.11.2016	Name: Adamo Gendotti	Dimensions: From 1 6 30 100 300 1000
Last Mod: DD.MM.YYYY	Name:	To 6 30 100 300 1000 2000
Constructed: DD.MM.YYYY	Name:	Tolerance: ±0.1 0.2 0.3 0.5 0.8 1.2
ETH zürich		Page N°: 3
1st Sub Module Main Beam		DP-FC-002



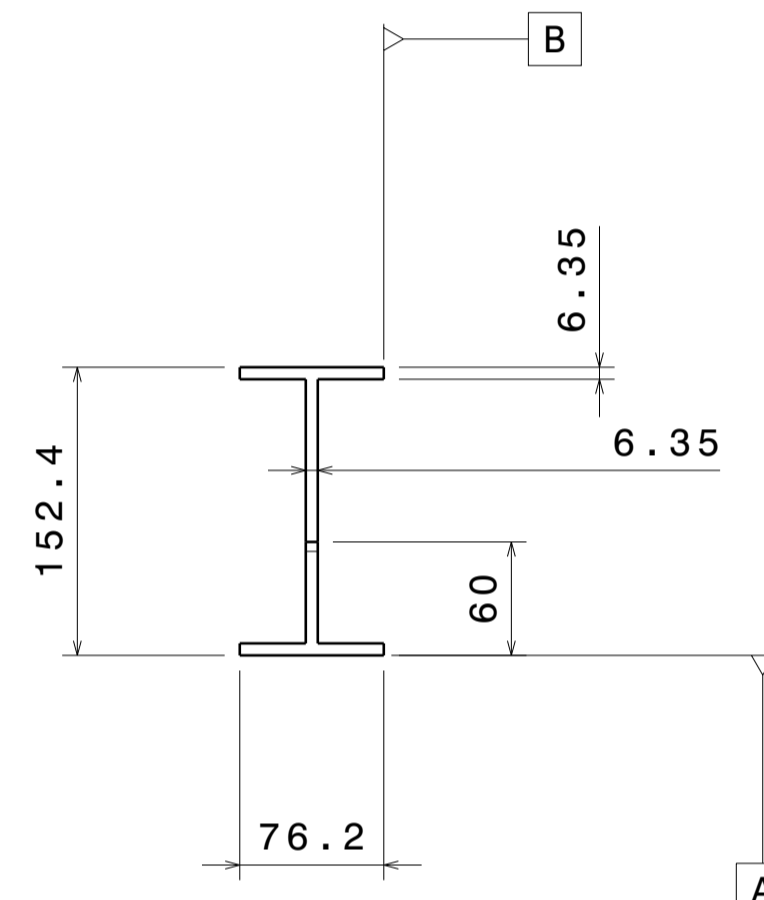
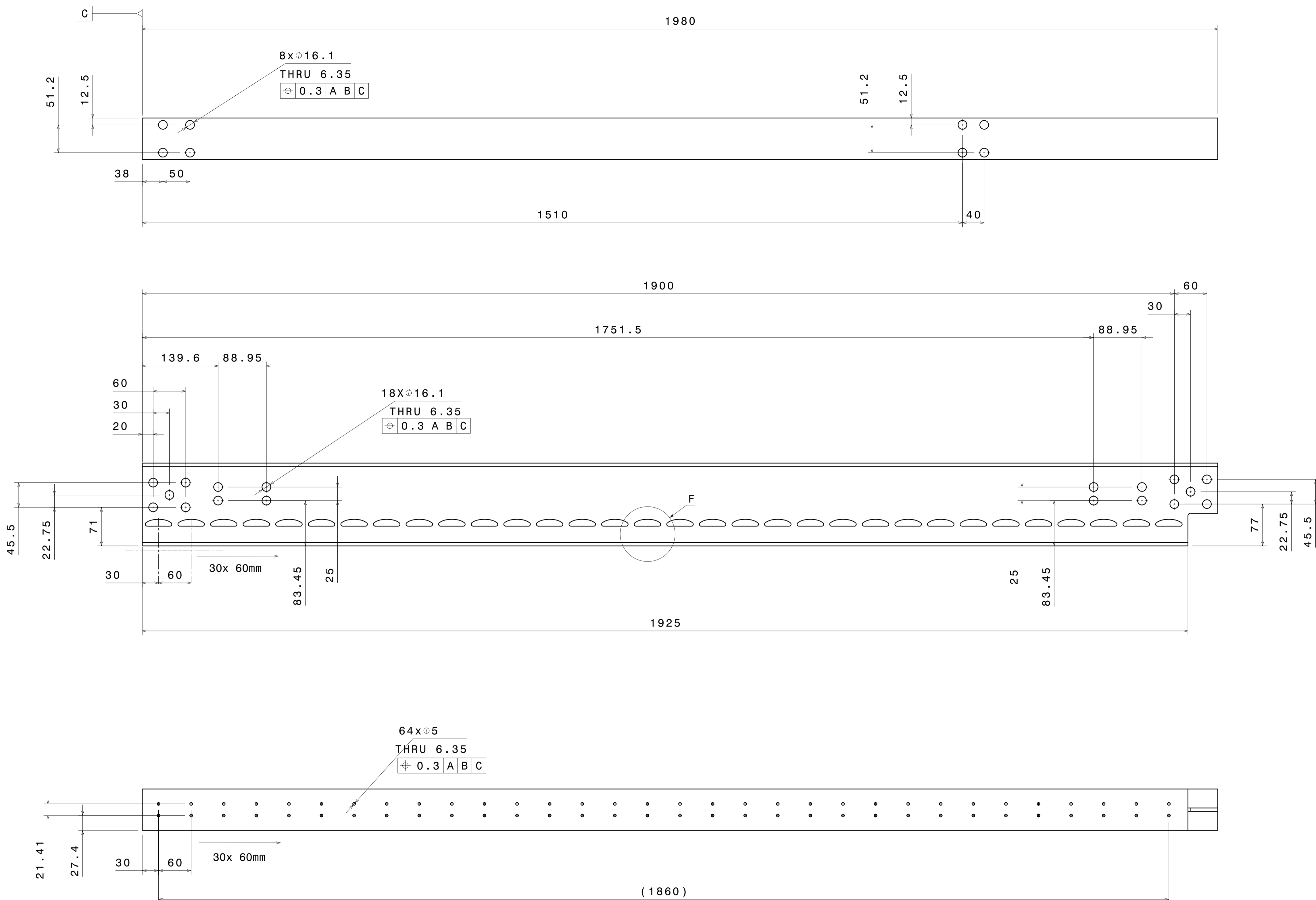
DETAIL E  
 (SCALE 1:1)  
 33 PLACES  
 OSS: FOR GEOMETRY REFER TO DETAIL D -> DRAWING NR: DP-FC-002



Pos	Part Name	Part Number	Material	Quantity	Description
2	2nd Sub Module Main Beam	DP-FC-003	FRP	16	NOTES: 1-MATERIAL: 6 INCH x 3 INCH x 1/4 INCH FIBERGLASS FRP ANGLE 2-USE .6350 INCH REAMER

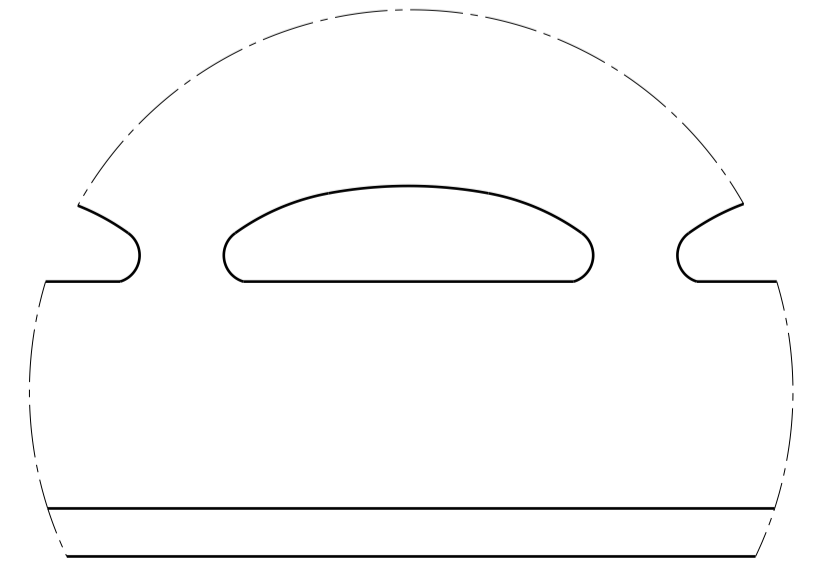
UNLESS OTHERWISE SPECIFIED:  
 UNTOLERANCED DIMENSION ARE BASIC  
 VALUES QUERIED FROM 3-D DIGITAL  
 DATE FILE  
 0.5 A B C

Project: WA105	Scale: 1:4 (1:1)	Tot Pages: 18
Sub-Proj: DP Field Cage		
Assembly: Assembly Group Name		
Created: 29.11.2016	Name: Adamo Giordani	Dimensions: From 1 6 30 100 300 1000
Last Mod: DD.MM.YYYY	Name: Name	To: 6 30 100 300 1000 2000
Constructed: DD.MM.YYYY	Name: Name	Tolerance: ±0.1 0.2 0.3 0.5 0.8 1.2
ETH zürich		2nd Sub Module Main Beam
		DP-FC-003



DETAIL E  
(SCALE 1:1)  
32 PLACES

OSS: FOR GEOMETRY REFER TO DETAIL D -> DRAWING NR: DP-FC-002

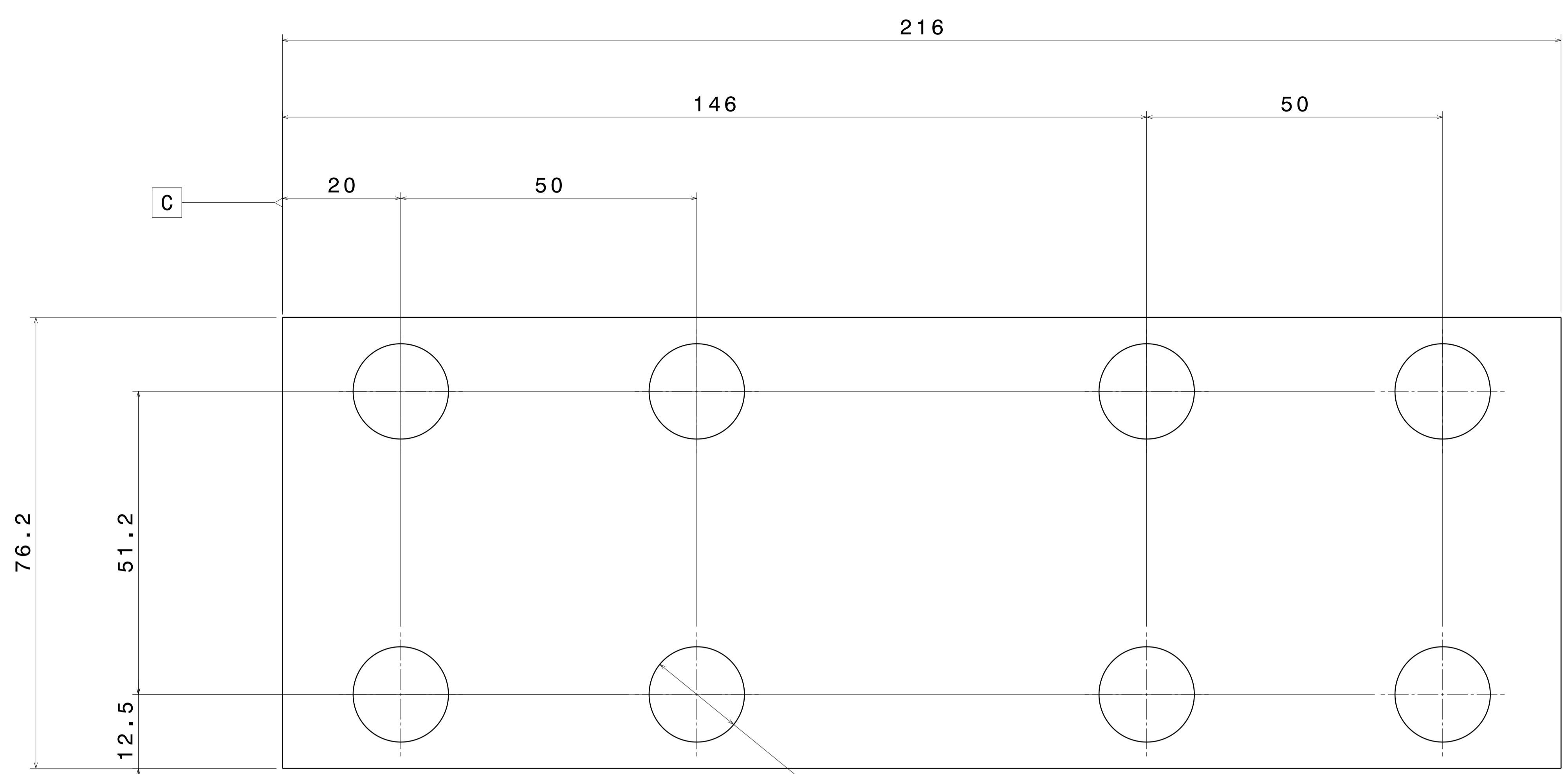


Pos	Part Name	Part Number	Material	Quantity	Description
3	3rd Sub Module Main Beam	DP-FC-004	FRP	16	NOTES: 1-MATERIAL: 6 INCH x 3 INCH x 1/4 INCH FIBERGLASS FRP ANGLE 2-USE .6350 INCH REAMER

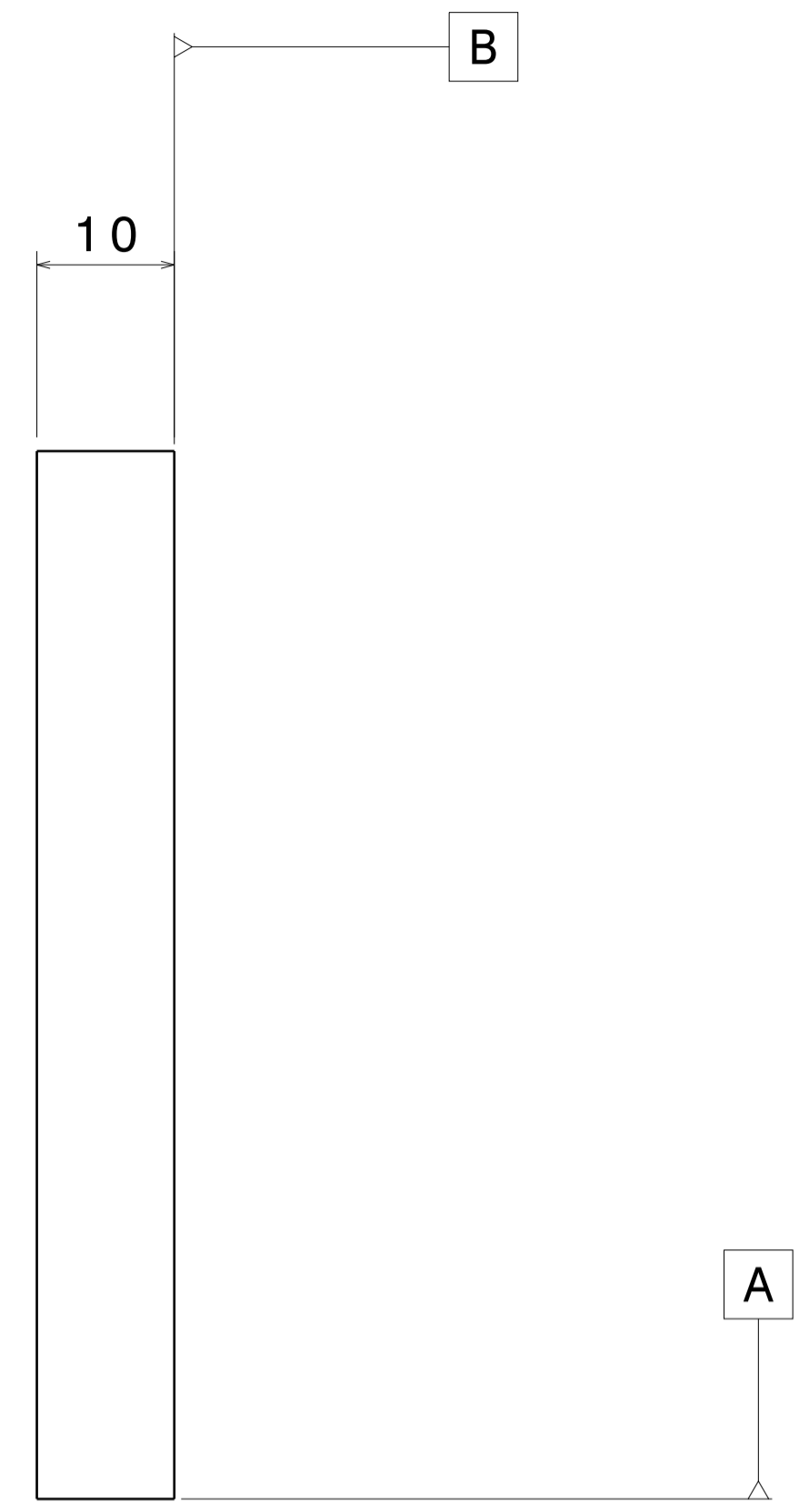
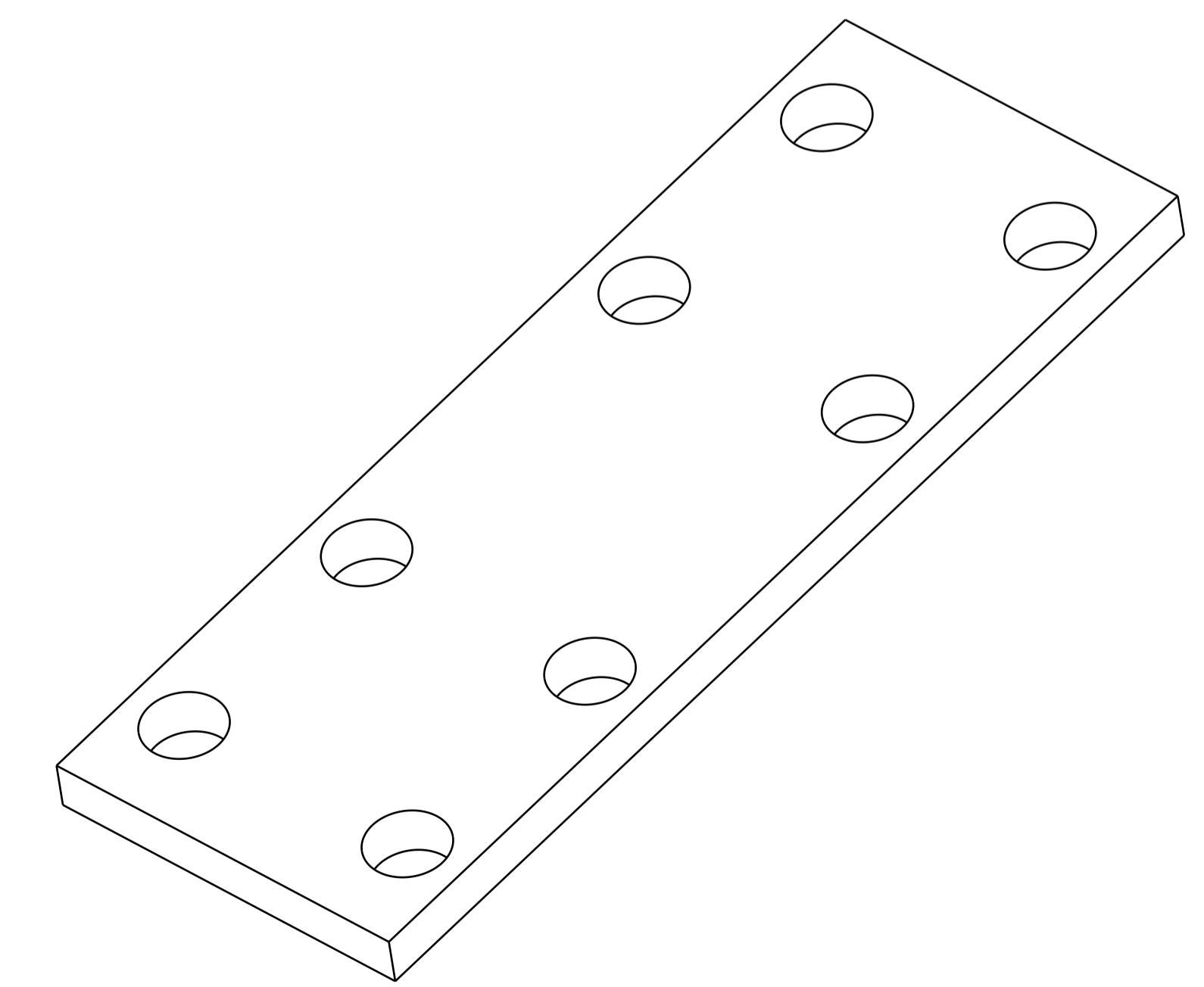
UNLESS OTHERWISE SPECIFIED:  
UNTOLERANCED DIMENSION ARE BASIC  
VALUES QUERIED FROM 3-D DIGITAL  
DATE FILE

±0.5 A B C

Project: WA105	Scale: 1:4 (1:1)	Tot Pages: 18
Sub-Proj.: DP Field Cage		
Assembly: Assembly Group Name		
Created: 29.11.2016 Adamo Gendotti	Dimensions: From 1 6 30 100 300 1000	Page N°: 5
Last Mod.: DD.MM.YYYY Name	To 6 30 100 300 1000 2000	
Constructed: DD.MM.YYYY Name	Tolerance: ±0.1 0.2 0.3 0.5 0.8 1.2	
ETH zürich 3rd Sub Module Main Beam		DP-FC-004



8X $\phi$ 16.1  
THRU  
 $\phi$  0.3 | A | B | C

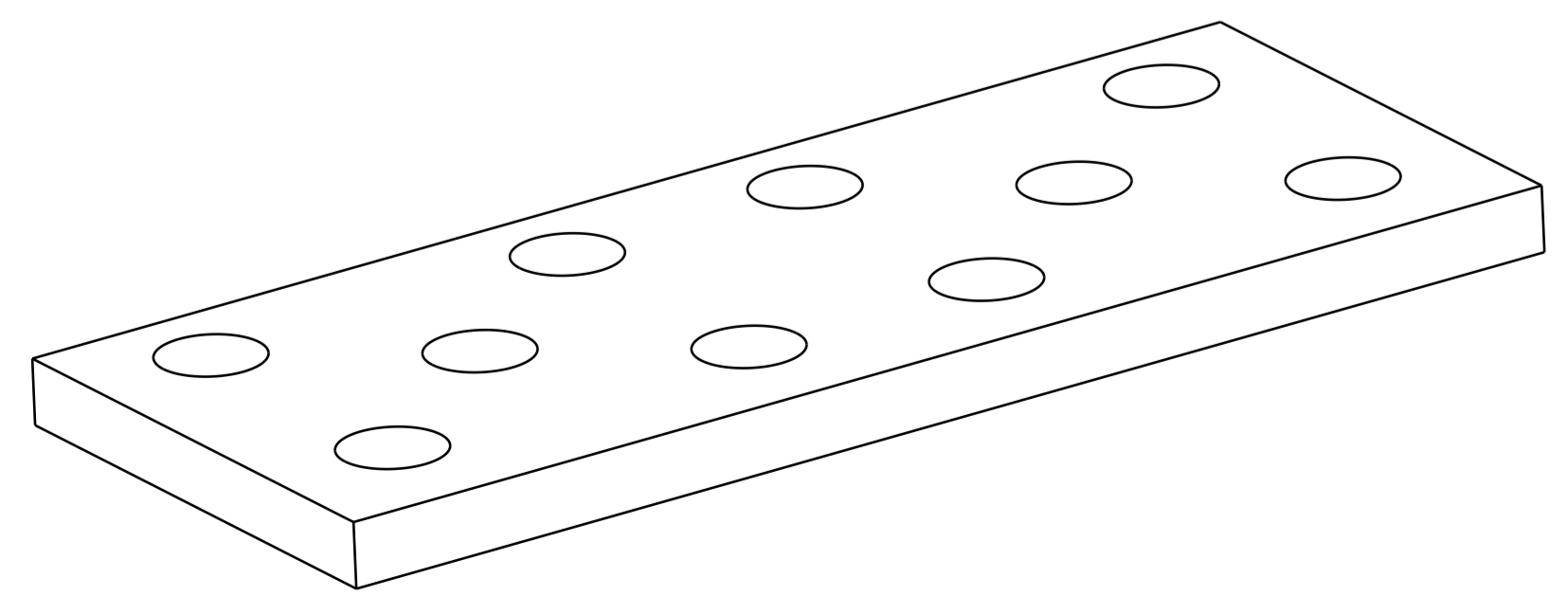
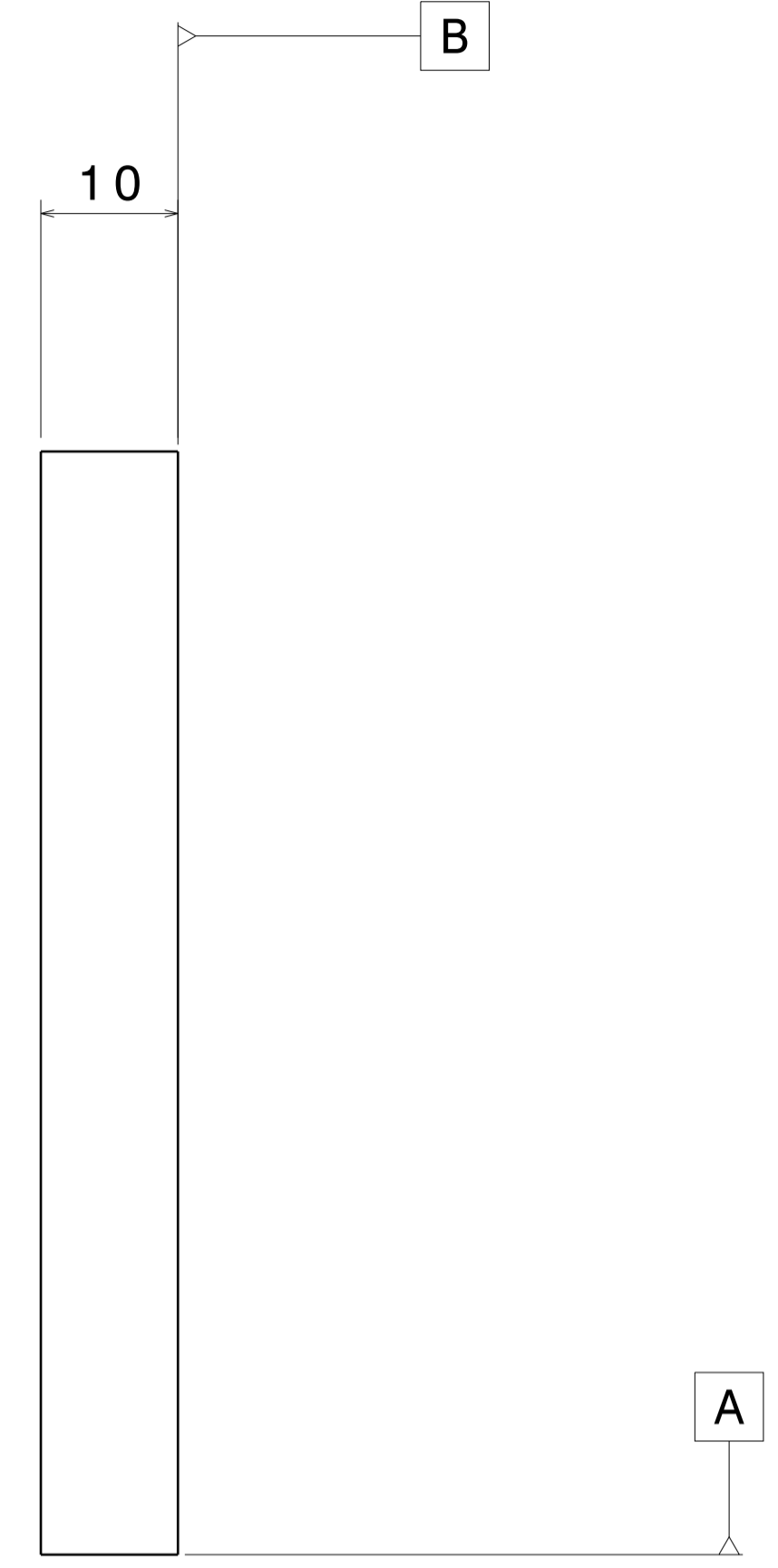
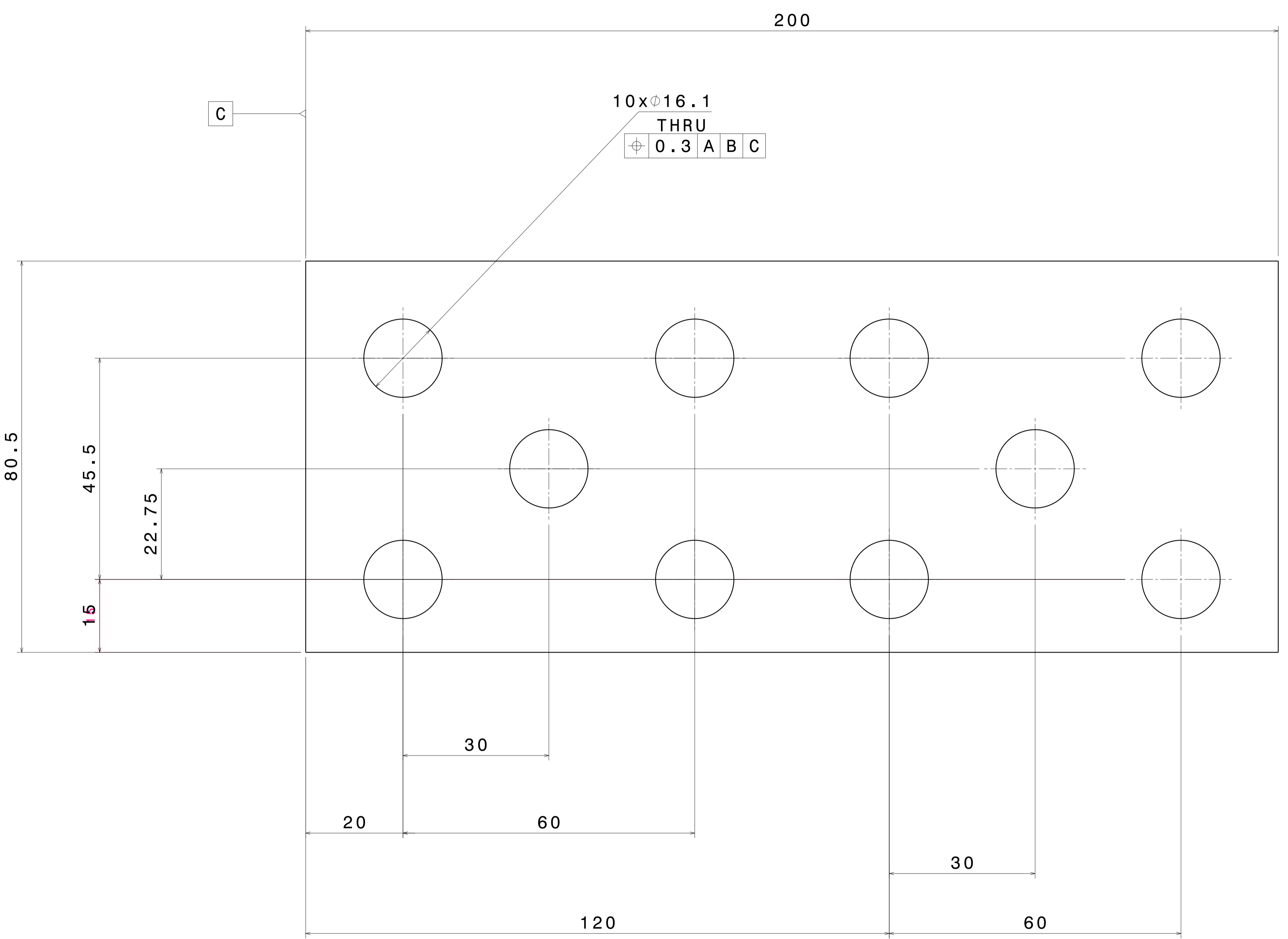


Pos	Part Name	Part Number	Material	Quantity	Description
4	Fixing Plate Sub Modules 1	DP-FC-005	G10/FR4	32	

UNLESS OTHERWISE SPECIFIED:  
UNTOLERANCED DIMENSION ARE BASIC  
VALUES QUERIED FROM 3-D DIGITAL  
DATE FILE  
 $\square$  0.5 | A | B | C

Project:	WA105	Scale:	2:1	Tot Pages:	18																		
Sub-Proj.:	DP Field Cage	Assembly:	Assembly Group Name	Page N°:	6																		
Created:	29.11.2016	Name:	Adamo Gendotti	<table border="1"> <tr> <th>Dimensions</th> <th>From</th> <th>1</th> <th>2</th> <th>3</th> <th>10</th> <th>30</th> <th>100</th> <th>1000</th> </tr> <tr> <td>To</td> <td>6</td> <td>30</td> <td>100</td> <td>300</td> <td>1000</td> <td>2000</td> <td></td> <td></td> </tr> </table>		Dimensions	From	1	2	3	10	30	100	1000	To	6	30	100	300	1000	2000		
Dimensions	From	1	2	3	10	30	100	1000															
To	6	30	100	300	1000	2000																	
Last Mod.:	DD.MM.YYYY	Name:		<table border="1"> <tr> <th>Tolerance</th> <th><math>\pm 0.1</math></th> <th>0.2</th> <th>0.3</th> <th>0.5</th> <th>0.8</th> <th>1.2</th> </tr> </table>		Tolerance	$\pm 0.1$	0.2	0.3	0.5	0.8	1.2											
Tolerance	$\pm 0.1$	0.2	0.3	0.5	0.8	1.2																	
Constructed:	DD.MM.YYYY	Name:																					

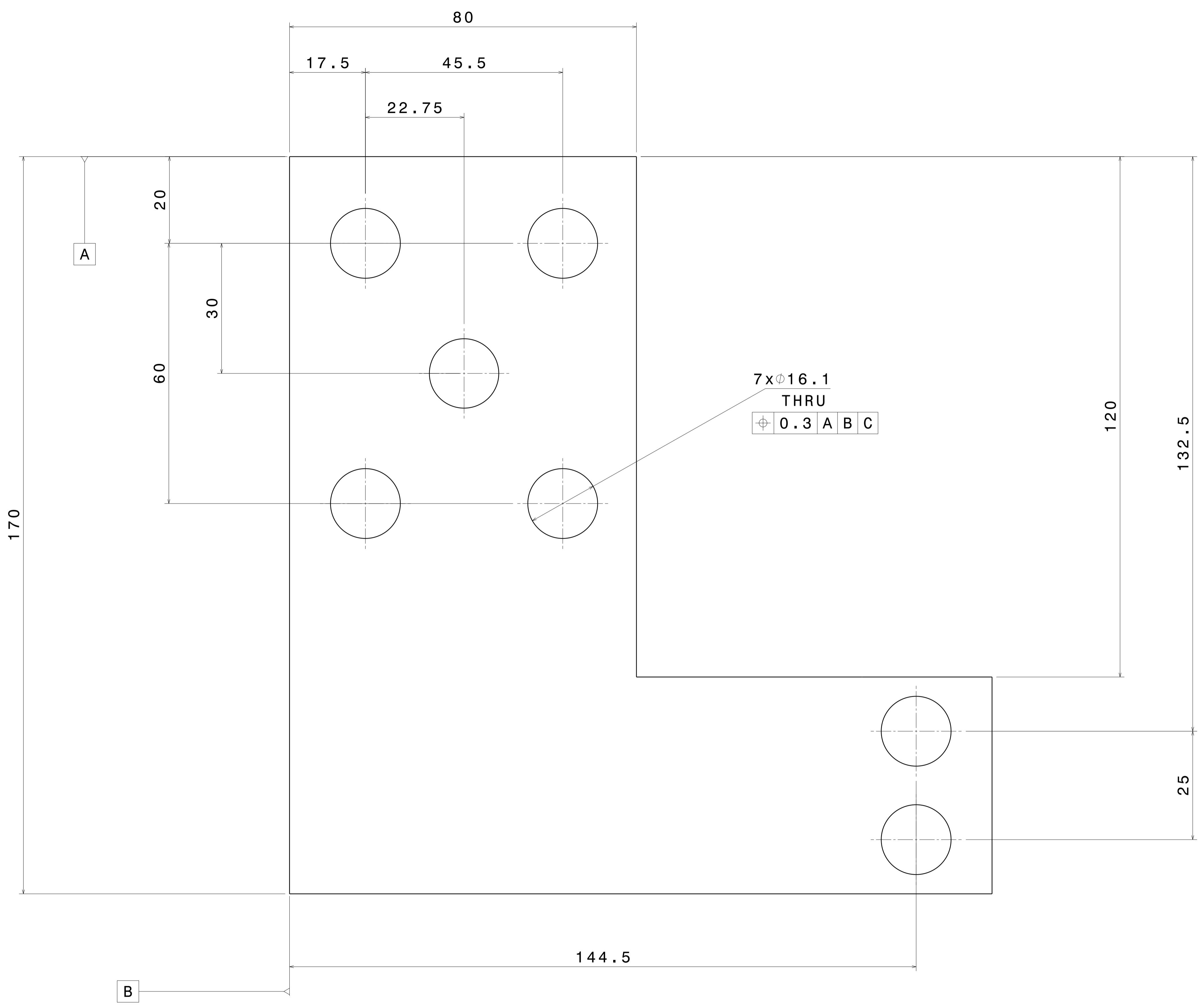
**ETH zürich** Fixing Plate Sub Modules 1 DP-FC-005



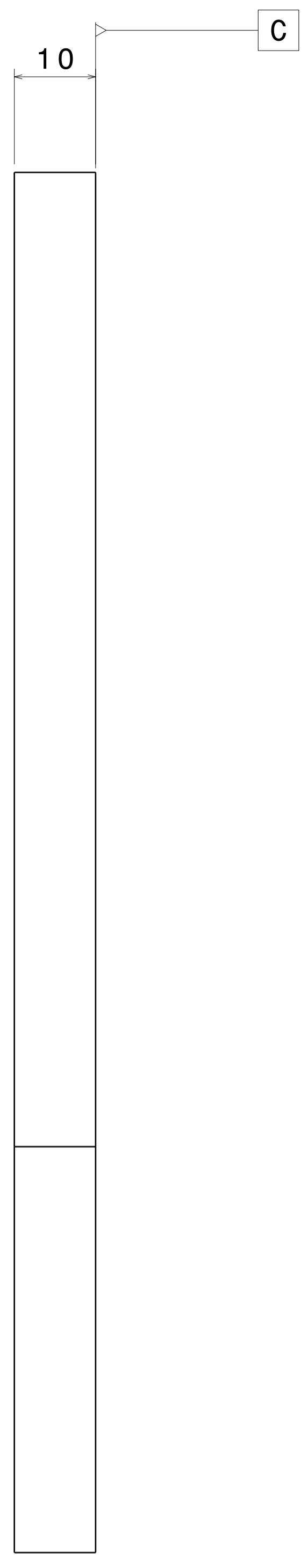
UNLESS OTHERWISE SPECIFIED:  
 UNTOLERANCED DIMESNION ARE BASIC  
 VALUES QUERIED FROM 3-D DIGITAL  
 DATE FILE  
 ±0.5 A B C

Pos	Part Name	Part Number	Material	Quantity	Description
5	Fixing Plate Sub Modules 2	DP-FC-006	G10/FR4	64	

Project: WA105	Scale: 2:1	Tot Pages: 18																								
Sub-Proj.: DP Field Cage																										
Assembly: Assembly Group Name																										
Created: 29.11.2016	Name: Adamo Gendotti	Page N°: 7																								
Last Mod.: DD.MM.YYYY	Name:																									
Constructed: DD.MM.YYYY	Name:																									
<table border="1"> <tr> <th>Dimensions</th> <th>From</th> <th>1</th> <th>6</th> <th>30</th> <th>100</th> <th>300</th> <th>1000</th> </tr> <tr> <td>To</td> <td>6</td> <td>30</td> <td>100</td> <td>300</td> <td>1000</td> <td>2000</td> <td></td> </tr> <tr> <th>Tolerance</th> <td>±0.1</td> <td>0.2</td> <td>0.3</td> <td>0.3</td> <td>0.8</td> <td>1.2</td> <td></td> </tr> </table>		Dimensions	From	1	6	30	100	300	1000	To	6	30	100	300	1000	2000		Tolerance	±0.1	0.2	0.3	0.3	0.8	1.2		
Dimensions	From	1	6	30	100	300	1000																			
To	6	30	100	300	1000	2000																				
Tolerance	±0.1	0.2	0.3	0.3	0.8	1.2																				
<b>ETH zürich</b> Fixing Plate Sub Modules 2		DP-FC-006																								



7x $\phi$ 16.1  
THRU  
 $\phi$  0.3 A B C



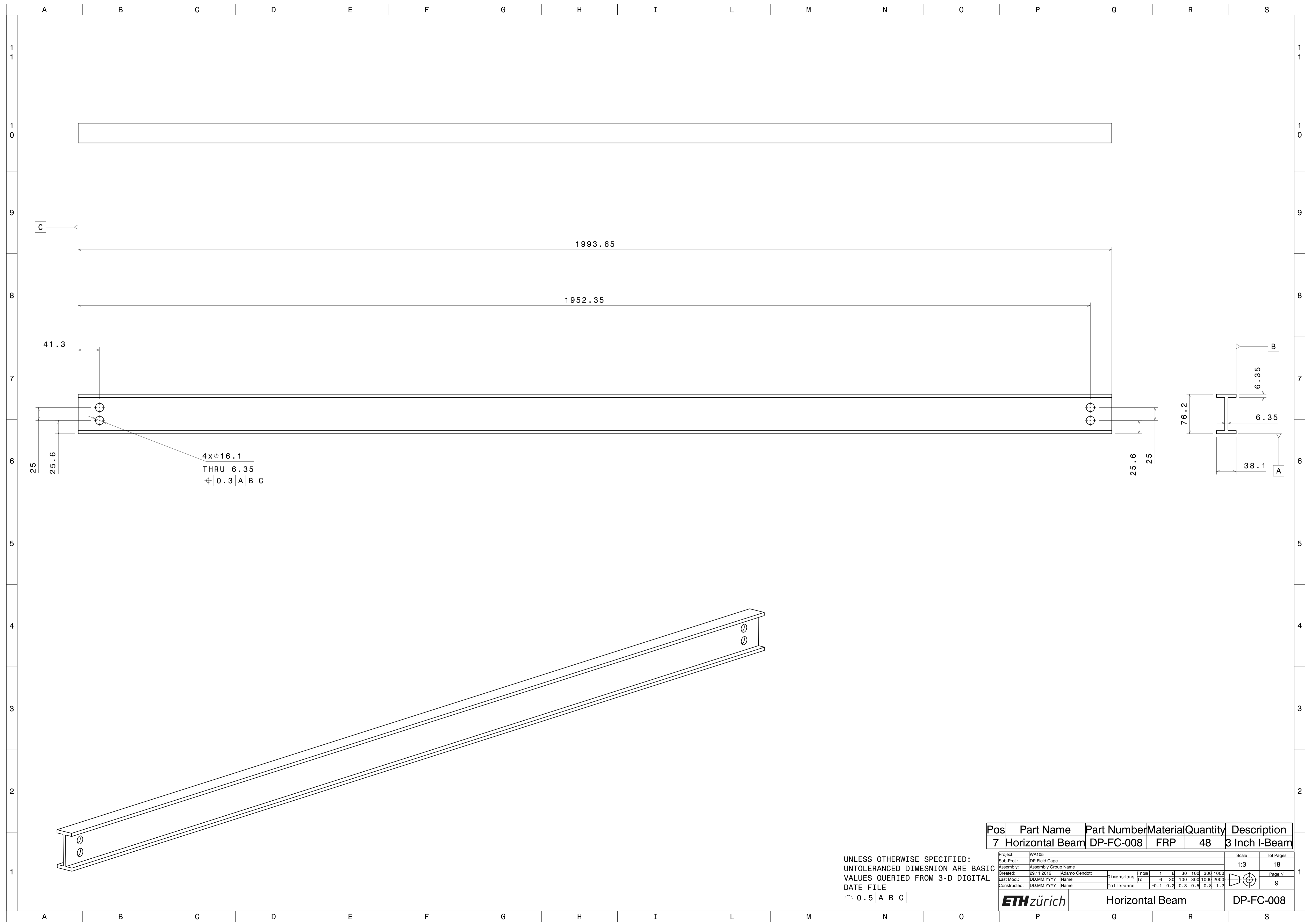
UNLESS OTHERWISE SPECIFIED:  
UNTOLERANCED DIMENSION ARE BASIC  
VALUES QUERIED FROM 3-D DIGITAL  
DATE FILE  
 $\phi$  0.5 A B C

Pos	Part Name	Part Number	Material	Quantity	Description
6	Cathode Fixing Plate	DP-FC-007	G10/FR4	32	

Project: WA105	Scale: 2:1	Total Pages: 18
Sub-Proj.: DP Field Cage		
Assembly: Assembly Group Name		
Created: 29.11.2016 Adamo Gendotti	Dimensions: From 1 6 30 100 300 1000	Page N°: 8
Last Mod.: DD.MM.YYYY Name	To 6 30 100 300 1000 2000	
Constructed: DD.MM.YYYY Name	Tolerance: ±0.1 0.2 0.3 0.5 0.8 1.2	

<b>ETH zürich</b>	Cathode Fixing Plate	DP-FC-007
-------------------	----------------------	-----------





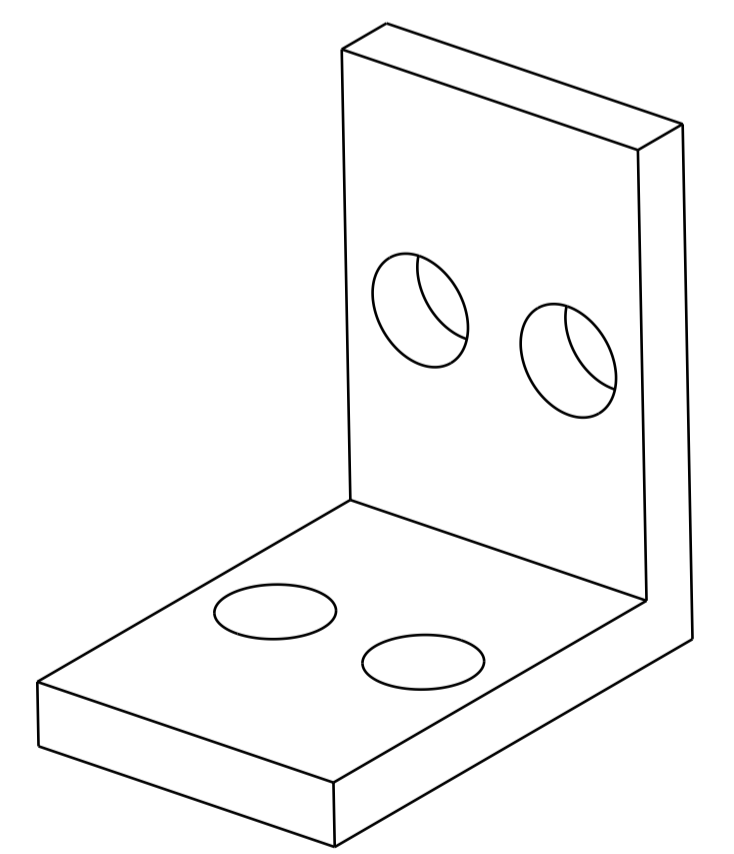
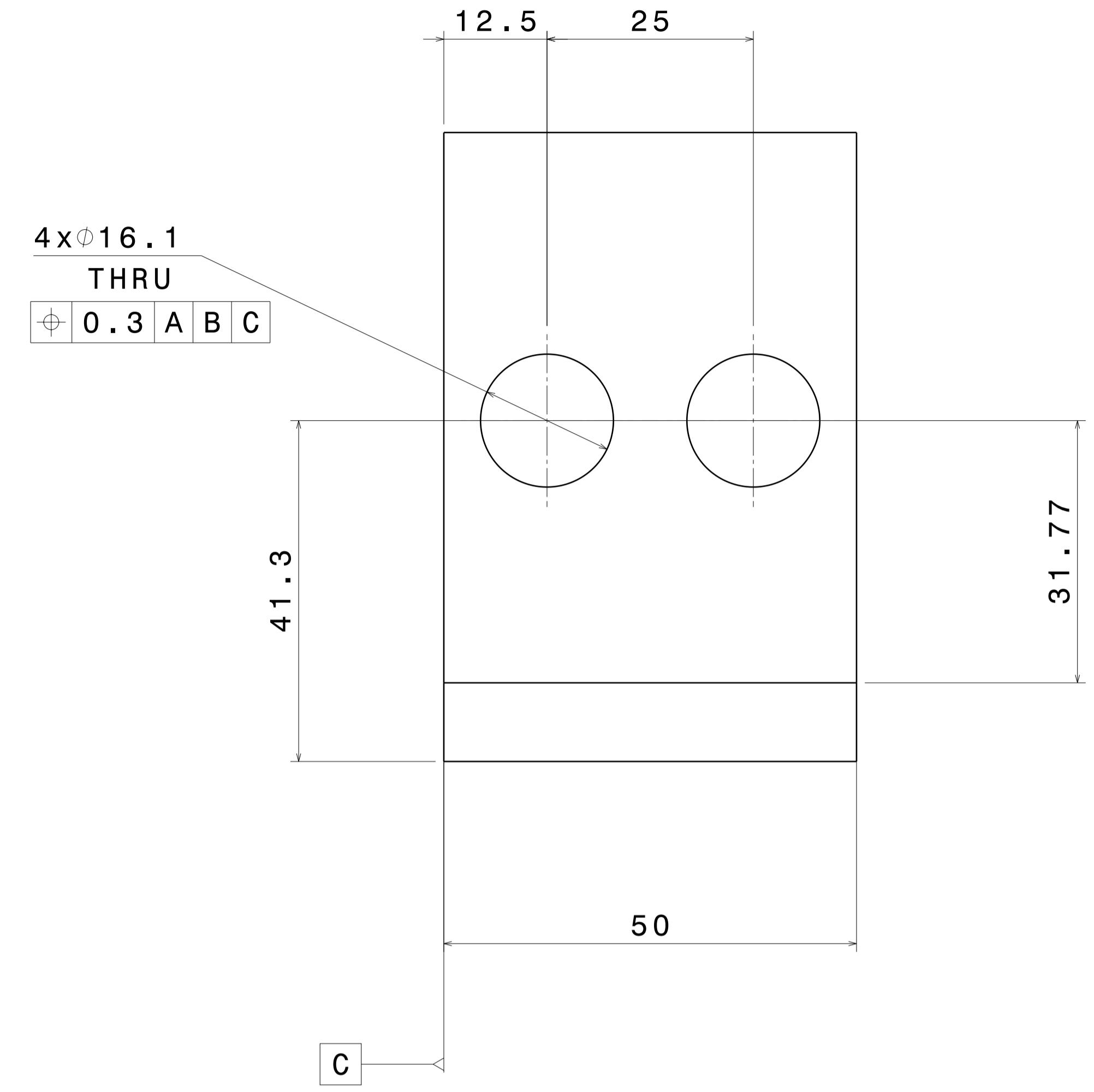
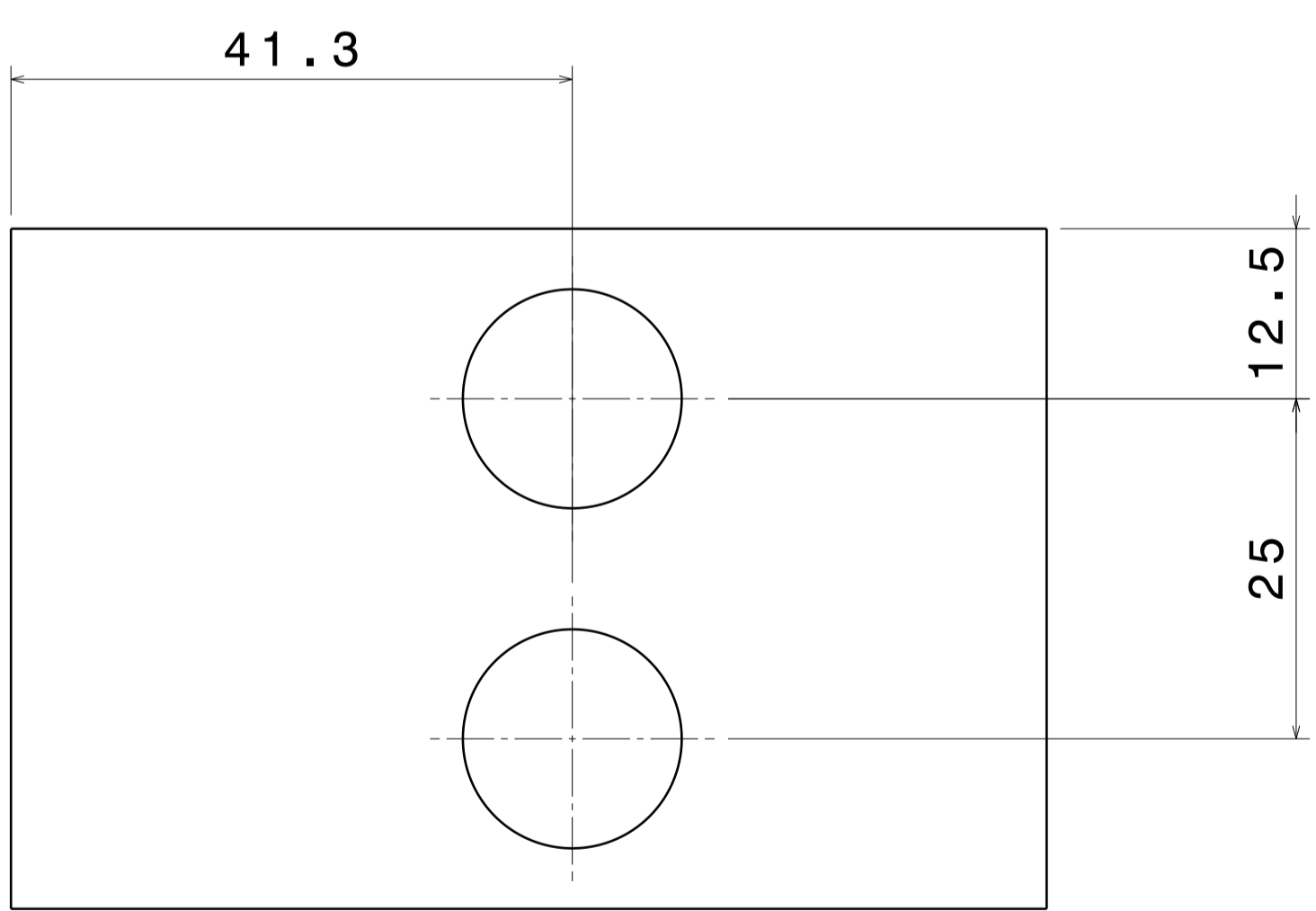
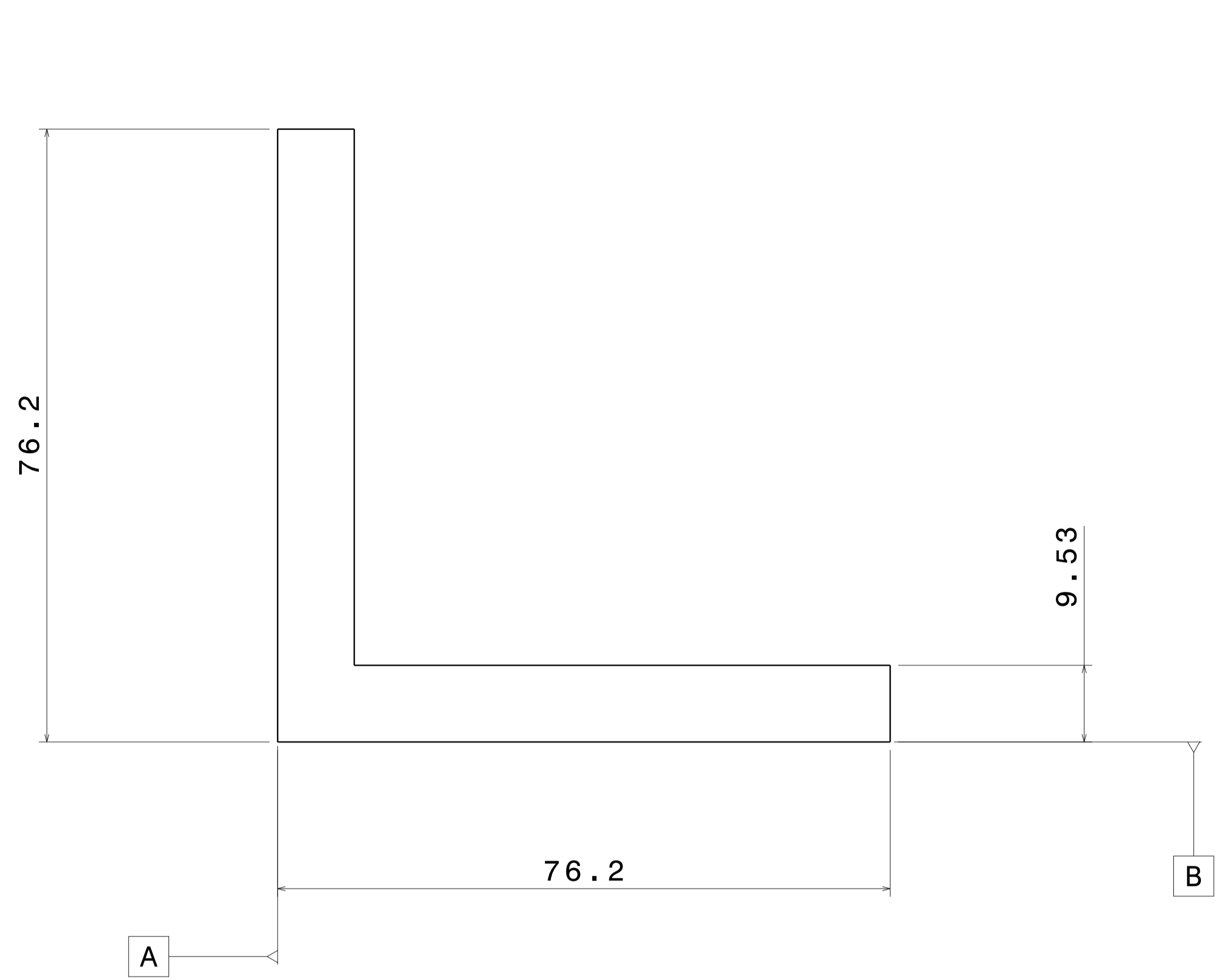
UNLESS OTHERWISE SPECIFIED:  
 UNTOLERANCED DIMENSION ARE BASIC  
 VALUES QUERIED FROM 3-D DIGITAL  
 DATE FILE

⚠ 0.5 A B C

Pos	Part Name	Part Number	Material	Quantity	Description
7	Horizontal Beam	DP-FC-008	FRP	48	3 Inch I-Beam

Project:	WA105	Scale:	1:3	Total Pages:	18
Sub-Proj.:	DP Field Cage	Created:	29.11.2016	Name:	Adamo Gendotti
Assembly:	Assembly Group Name	Last Mod.:	DD.MM.YYYY	Name:	
Constructed:	DD.MM.YYYY	Name:			

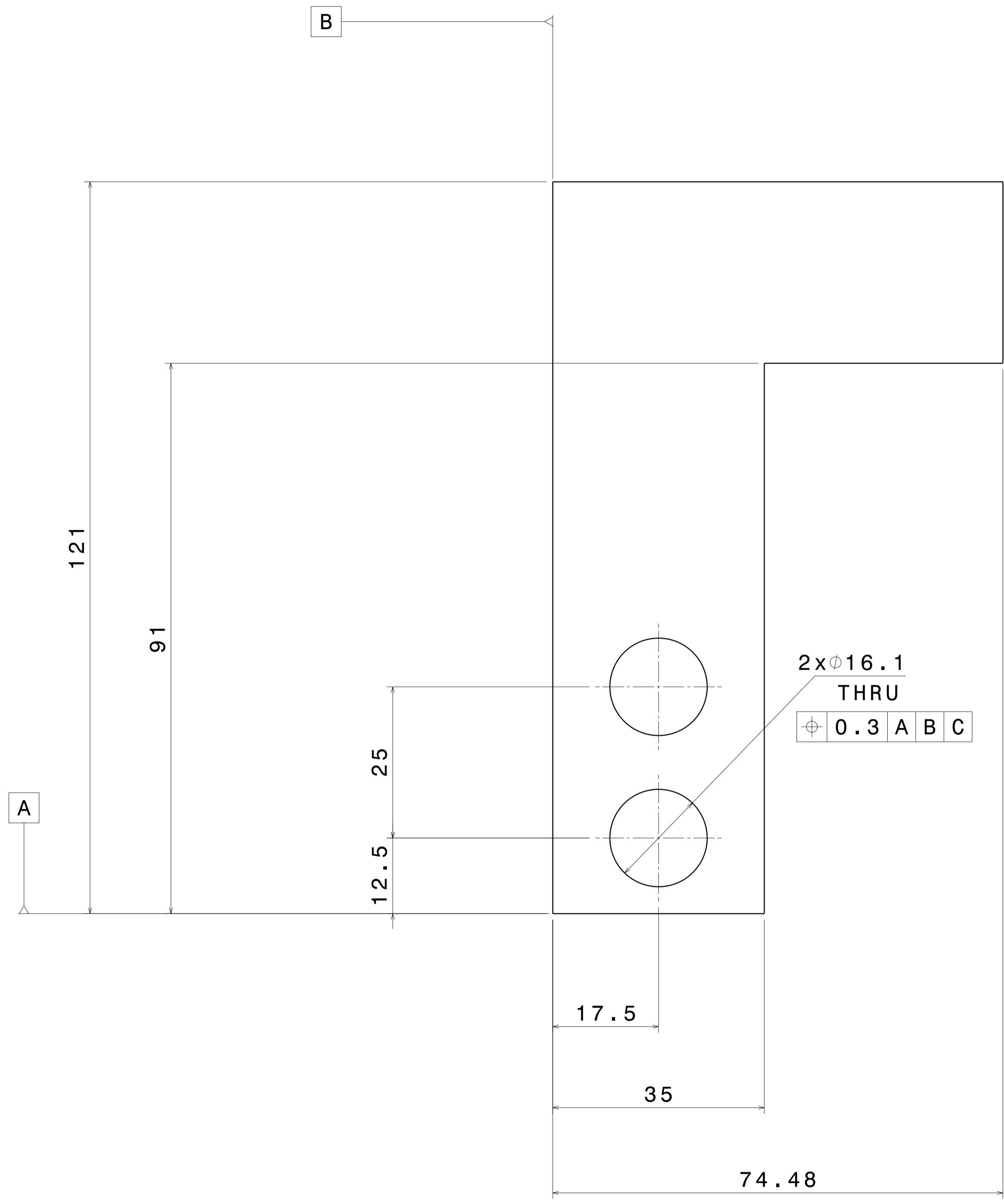
<b>ETH zürich</b>		Horizontal Beam		DP-FC-008
-------------------	--	-----------------	--	-----------



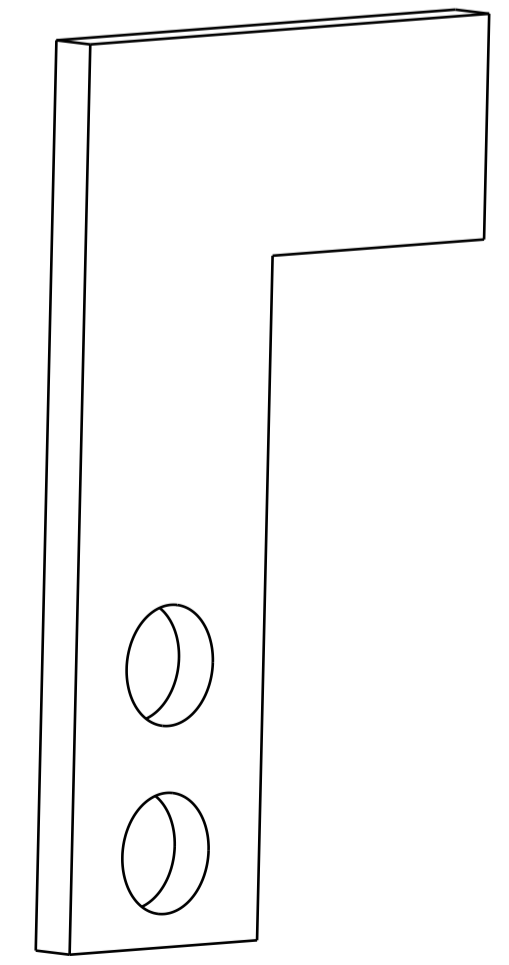
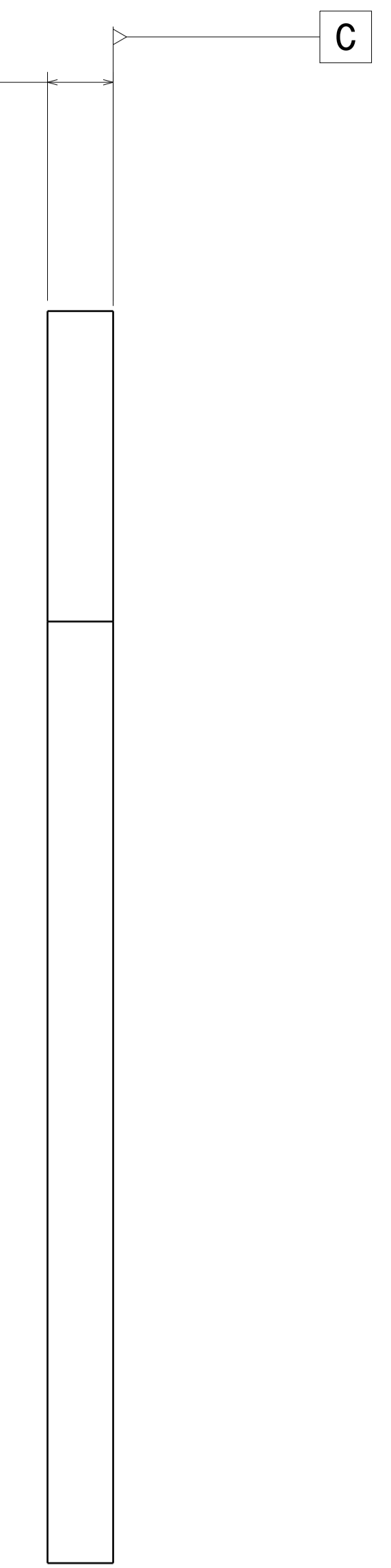
Pos	Part Name	Part Number	Material	Quantity	Description
8	Horizontal Beam L-Profile	DP-FC-009	FRP	192	NOTES: 1-MATERIAL: 3 INCH x 3 INCH x 1/4 INCH FIBERGLASS FRP ANGLE 2-USE .6350 INCH REAMER

UNLESS OTHERWISE SPECIFIED:  
UNTOLERANCED DIMENSION ARE BASIC  
VALUES QUERIED FROM 3-D DIGITAL  
DATE FILE  
±0.5 A B C

Project:	WA105	Scale:	2:1	Tot Pages:	18
Sub-Proj.:	DP Field Cage	Assembly:	Assembly Group Name	Created:	29.11.2016
Created:	29.11.2016	Name:	Adamo Gendotti	Dimensions:	From 1 6 30 100 300 1000
Last Mod.:	DD.MM.YYYY	Name:		To:	6 30 100 300 1000 2000
Constructed:	DD.MM.YYYY	Name:		Tolerance:	±0.1 0.2 0.3 0.5 0.8 1.2
ETH zürich			Horizontal Beam L-Profile		DP-FC-009



6.35  
(1/4 INCH PLATE)

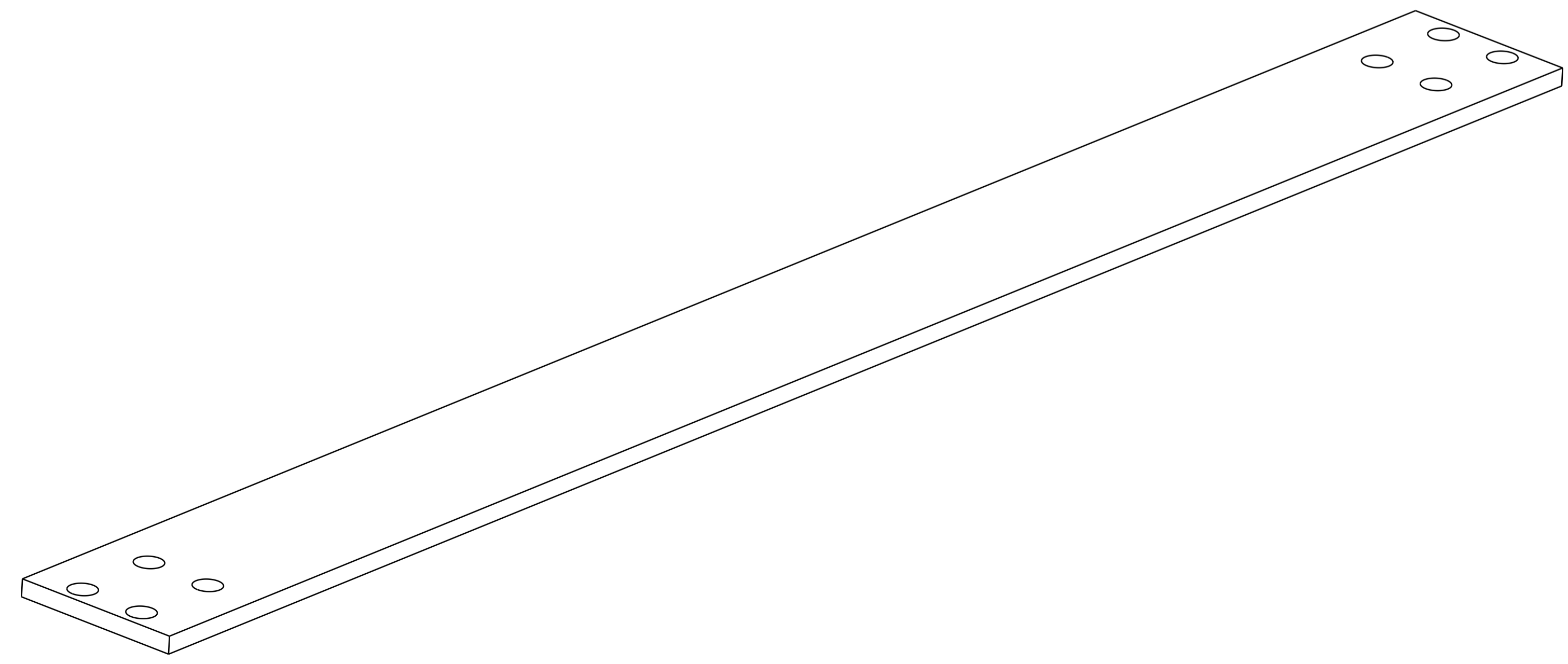
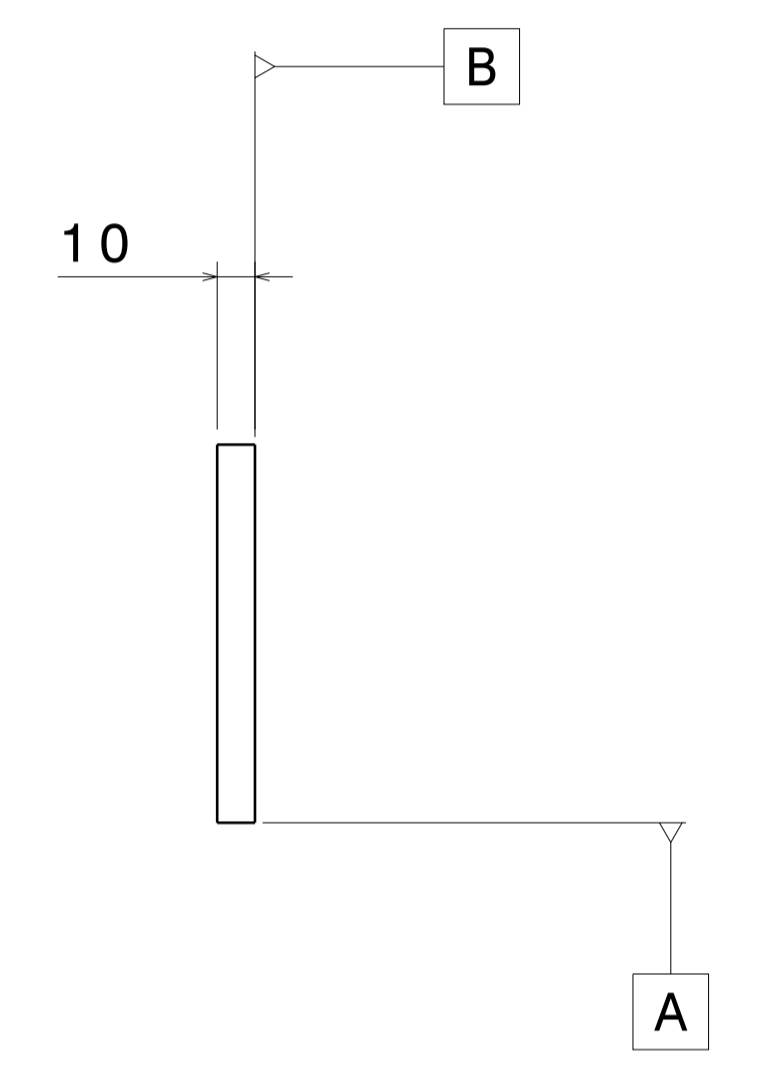
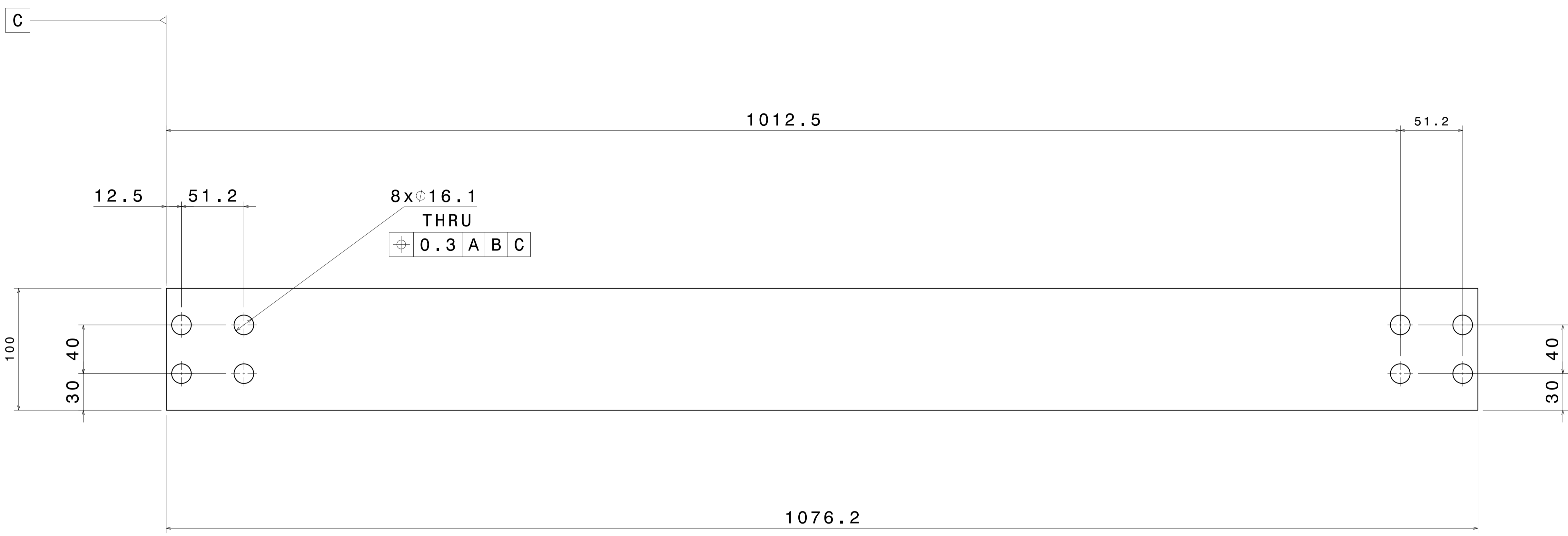


UNLESS OTHERWISE SPECIFIED:  
UNTOLERANCED DIMENSION ARE BASIC  
VALUES QUERIED FROM 3-D DIGITAL  
DATE FILE  
 $\triangle 0.5$  A B C

Pos	Part Name	Part Number	Material	Quantity	Description
9	Cathode Blocking Plate	DP-FC-010	G10/FR4	16	

Project:	WA105	Scale:	2:1	Total Pages:	18
Sub-Proj.:	DP Field Cage	Created:	29.11.2016	Page N°:	11
Assembly:	Assembly Group Name	Last Mod.:	DD.MM.YYYY	Dimensions	From 1 6 30 100 300 1000
Created:	Adamo Gendotti	Constructed:	DD.MM.YYYY	Tolerance	±0.1 0.2 0.3 0.5 0.8 1.2

**ETH zürich** Cathode Blocking Plate DP-FC-010



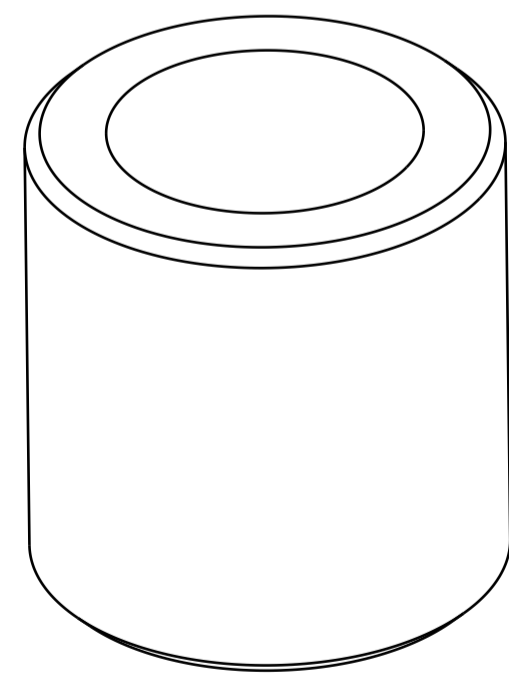
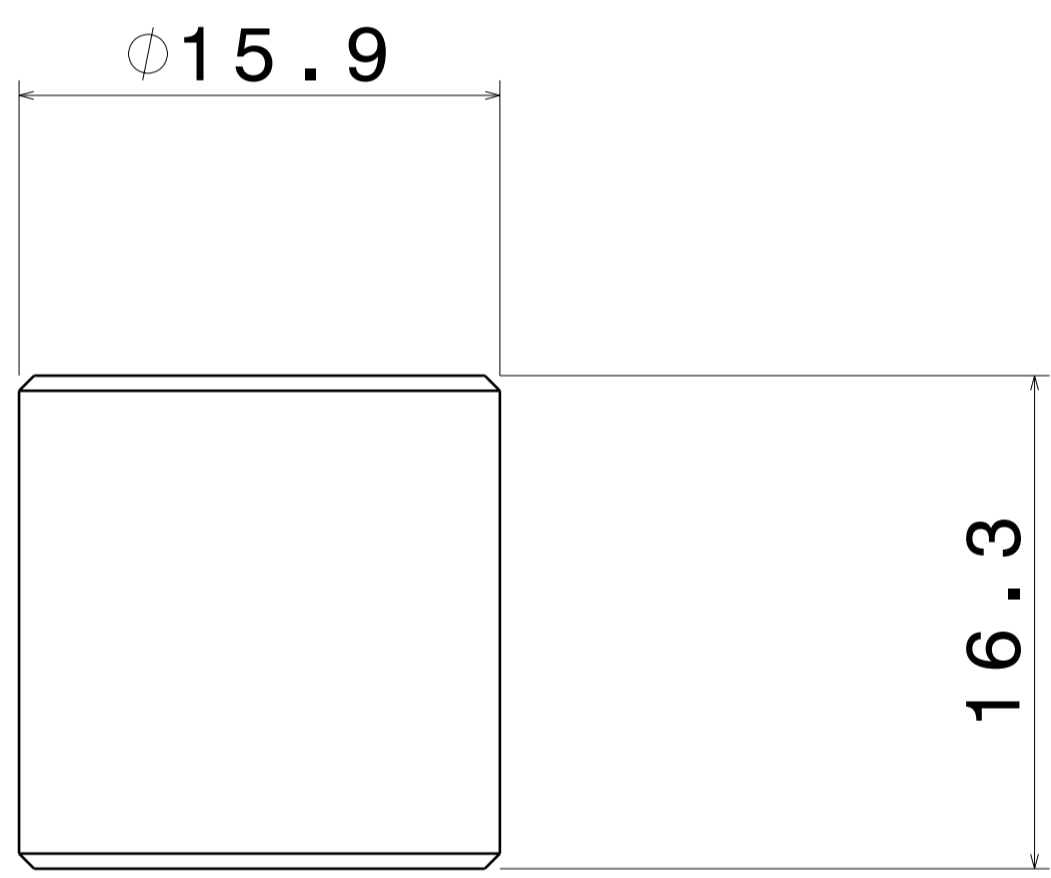
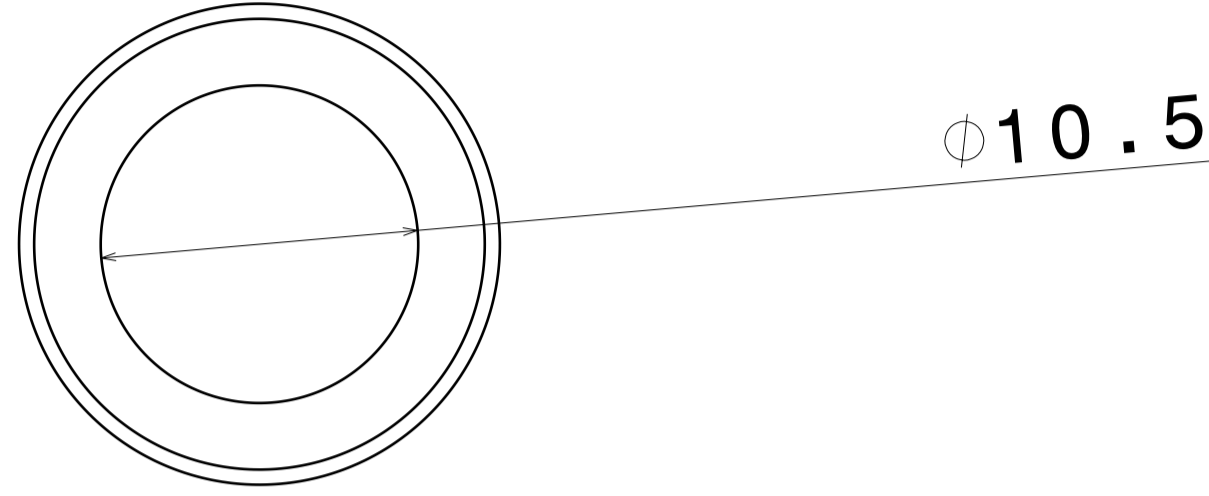
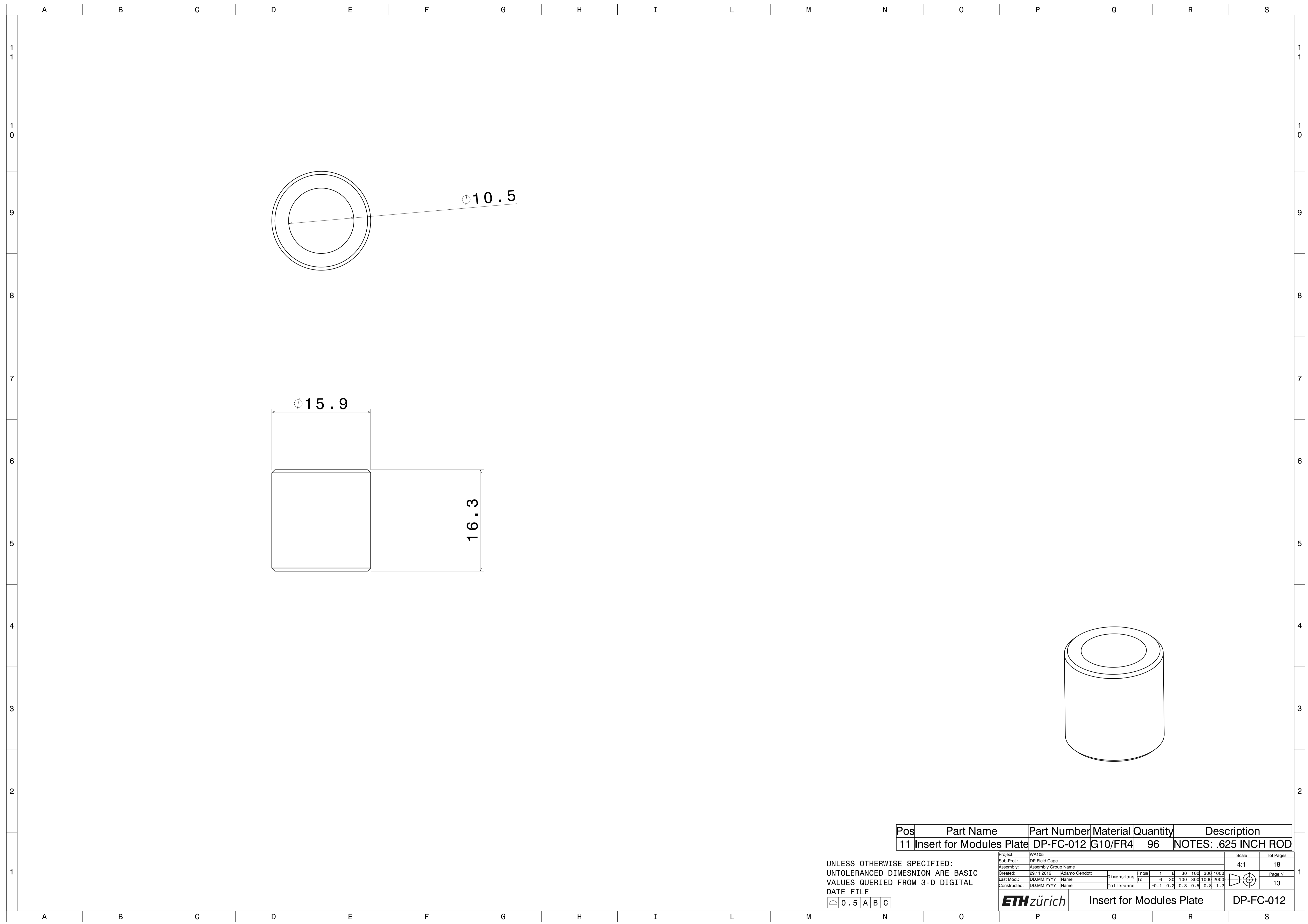
UNLESS OTHERWISE SPECIFIED:  
 UNTOLERANCED DIMENSION ARE BASIC  
 VALUES QUERIED FROM 3-D DIGITAL  
 DATE FILE

0.5 A B C

Pos	Part Name	Part Number	Material	Quantity	Description
10	Plate Between Modules	DP-FC-011	G10/FR4	12	

Project:	WA105	Scale:	1:1	Total Pages:	18
Sub-Proj.:	DP Field Cage				
Assembly:	Assembly Group Name				
Created:	29.11.2016	Adamo Gendotti	Dimensions	From	1 4 30 100 300 1000
Last Mod.:	DD.MM.YYYY	Name	To	6 30 100 300 1000 2000	Page N°
Constructed:	DD.MM.YYYY	Name	Tolerance	±0.1 0.2 0.3 0.5 0.8 1.2	12

**ETH** zürich Plate Between Modules DP-FC-011

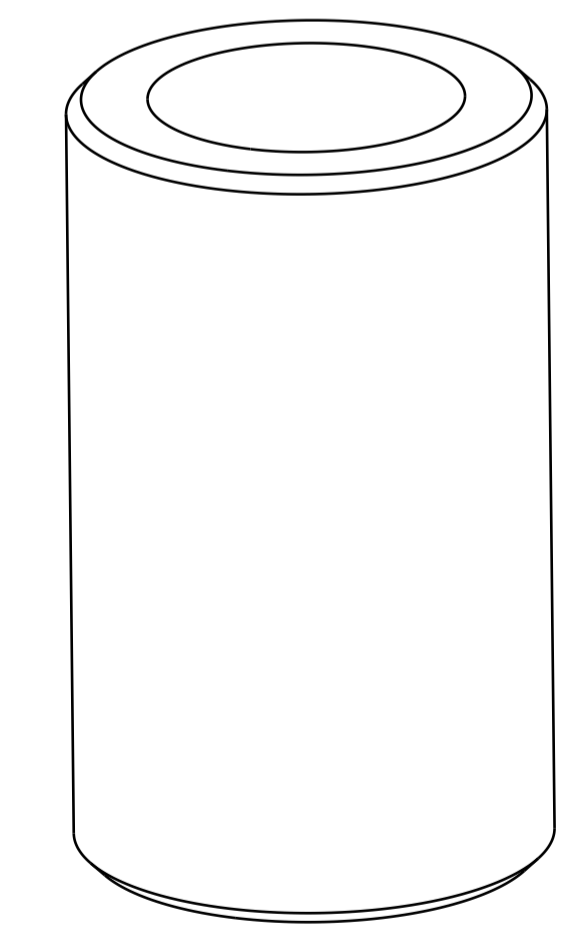
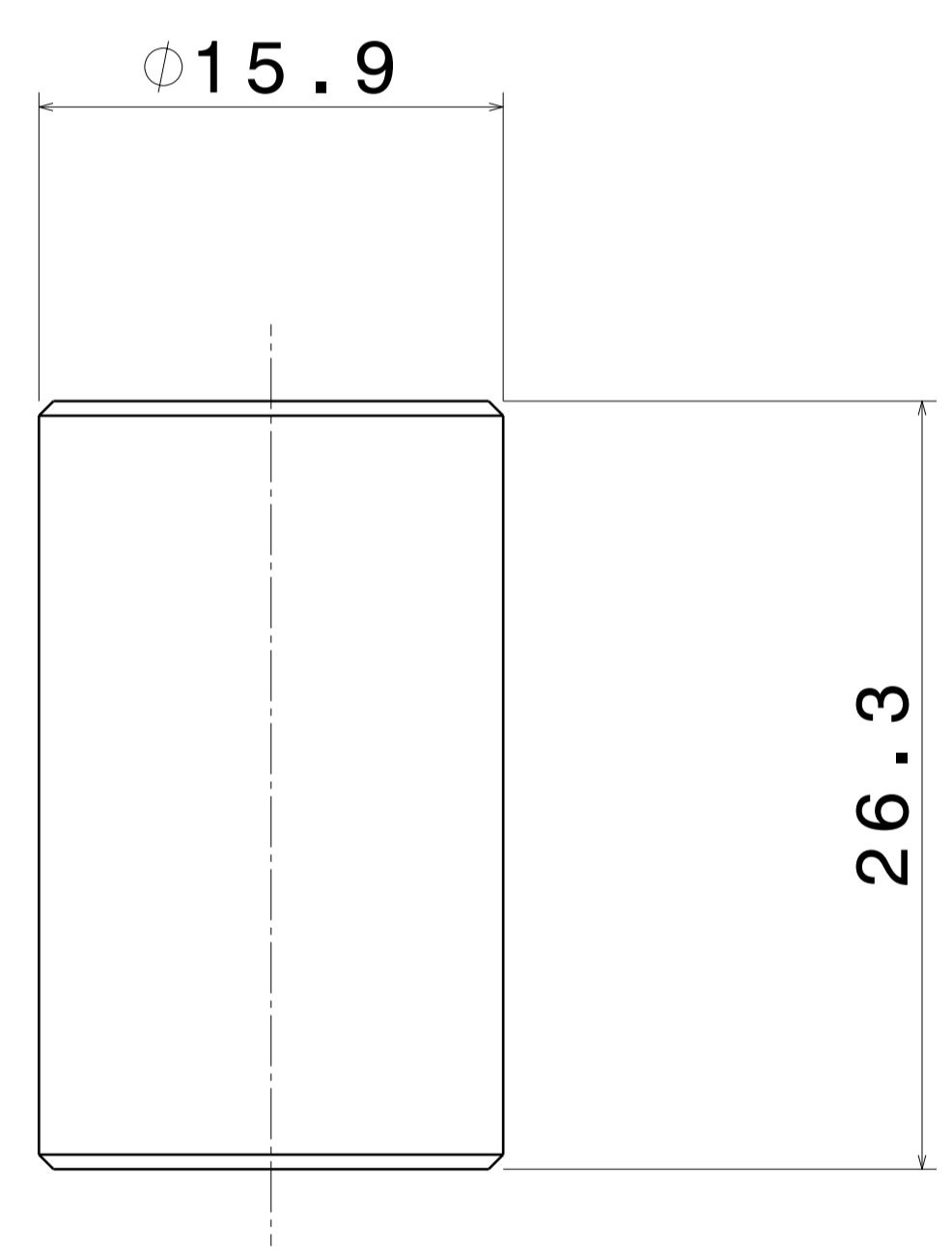
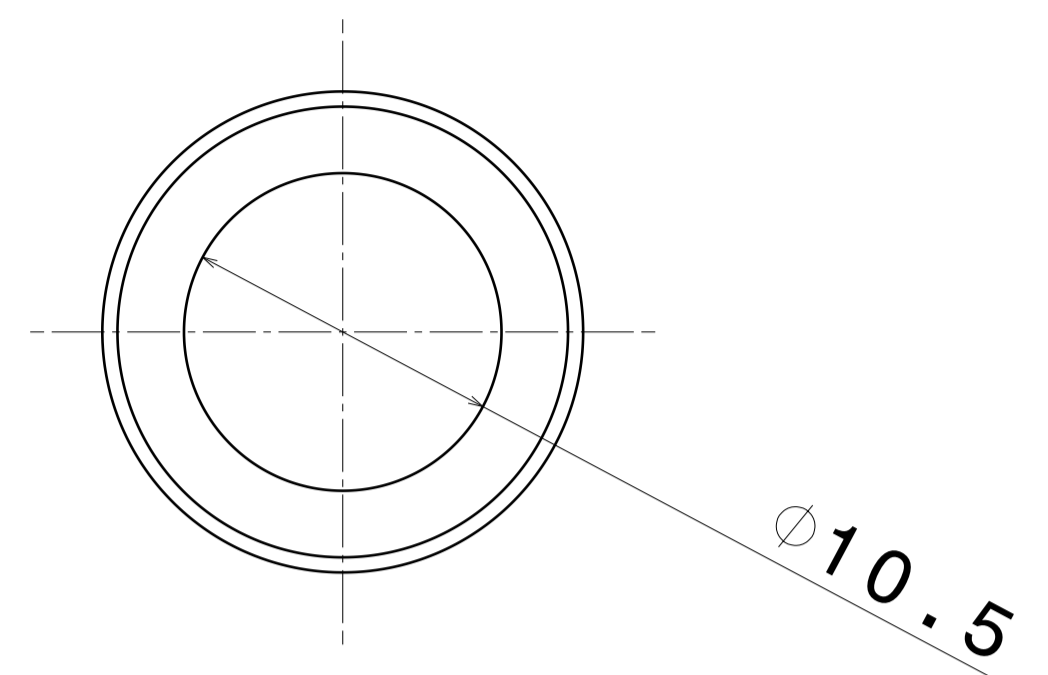


Pos	Part Name	Part Number	Material	Quantity	Description
11	Insert for Modules Plate	DP-FC-012	G10/FR4	96	NOTES: .625 INCH ROD

UNLESS OTHERWISE SPECIFIED:  
 UNTOLERANCED DIMENSION ARE BASIC  
 VALUES QUERIED FROM 3-D DIGITAL  
 DATE FILE

0.5 A B C

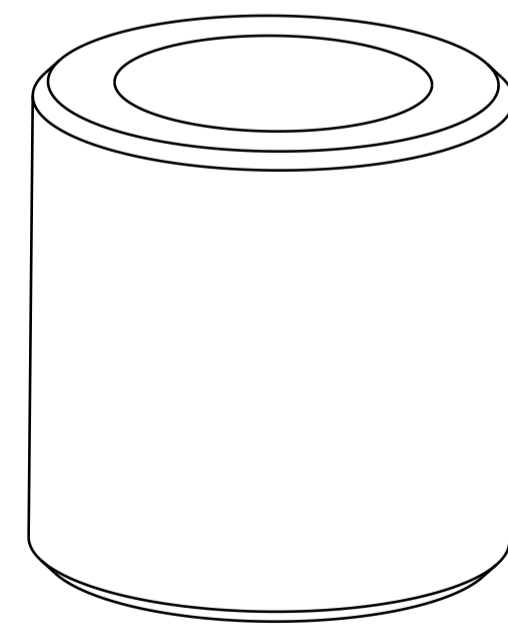
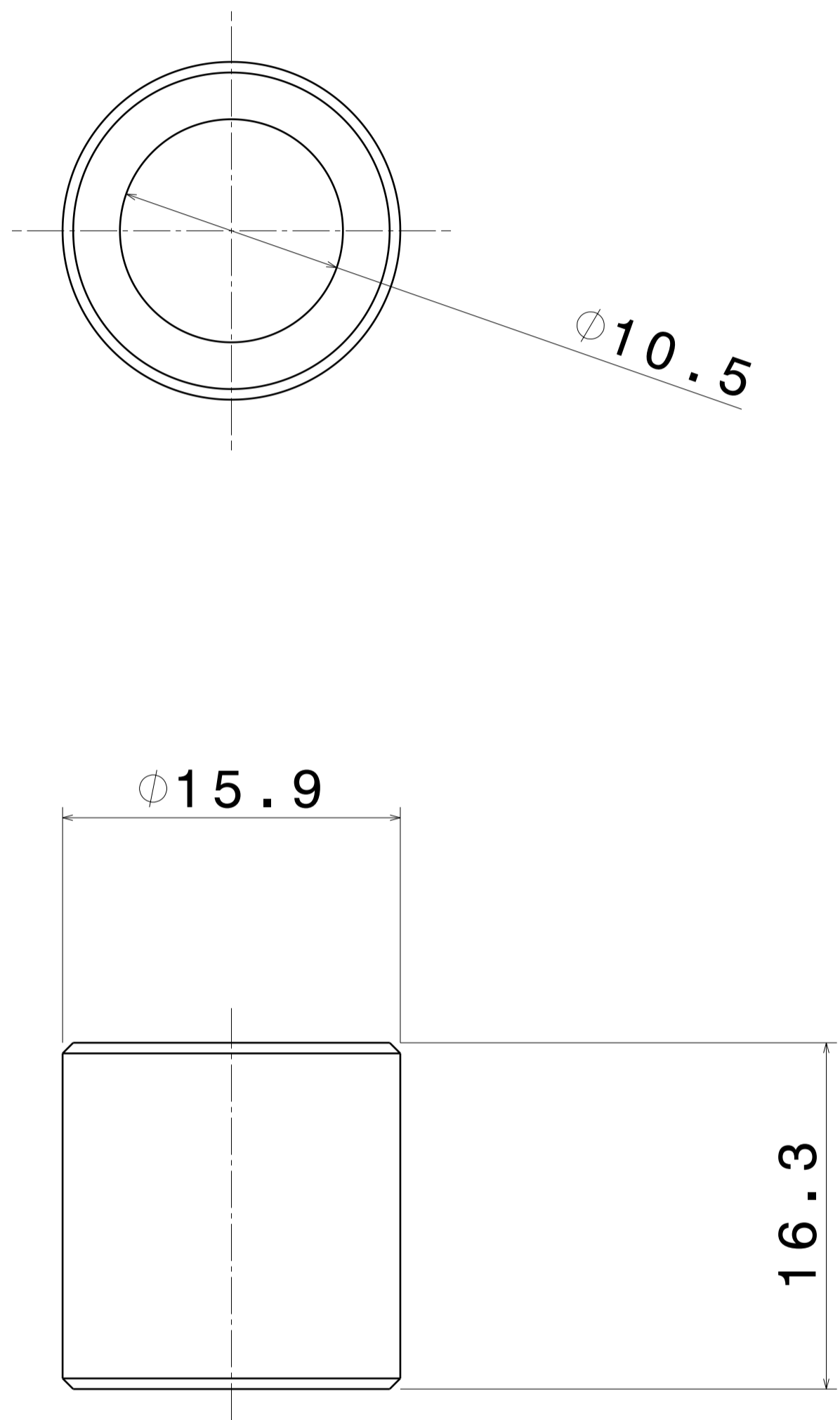
Project: MA105	Scale: 4:1	Total Pages: 18
Sub-Proj.: DP Field Cage		
Assembly: Assembly Group Name		
Created: 29.11.2016 Adamo Gendotti	Dimensions: From 1 6 30 100 300 1000	Page N°: 13
Last Mod.: DD.MM.YYYY Name	To 6 30 100 300 1000 2000	
Constructed: DD.MM.YYYY Name	Tolerance: ±0.1 0.2 0.3 0.4 0.8 1.2	
<b>ETH zürich</b>	Insert for Modules Plate	DP-FC-012



Pos	Part Name	Part Number	Material	Quantity	Description
12	Insert for Cathode Connection	DP-FC-013	G10/FR4	112	NOTES: .625 INCH ROD

UNLESS OTHERWISE SPECIFIED:  
 UNTOLERANCED DIMESNION ARE BASIC  
 VALUES QUERIED FROM 3-D DIGITAL  
 DATE FILE  
 0.5 A B C

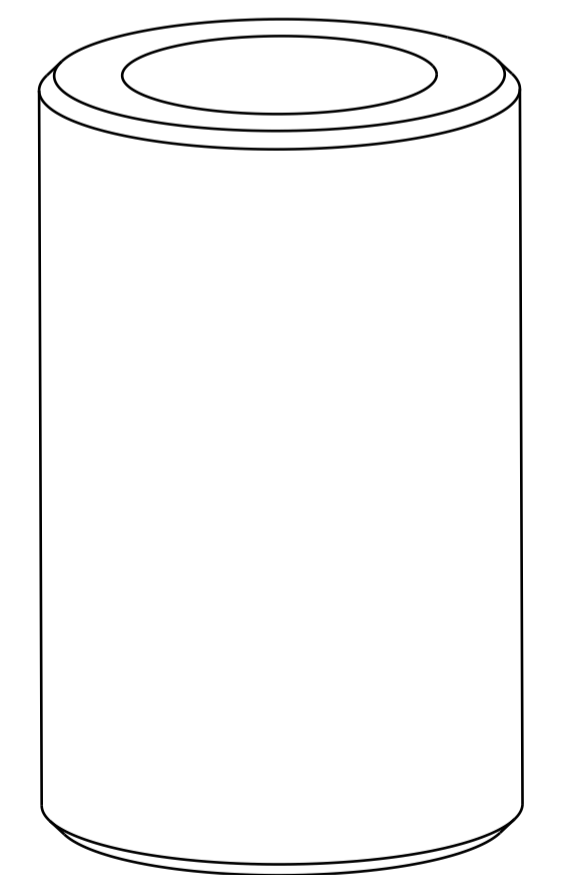
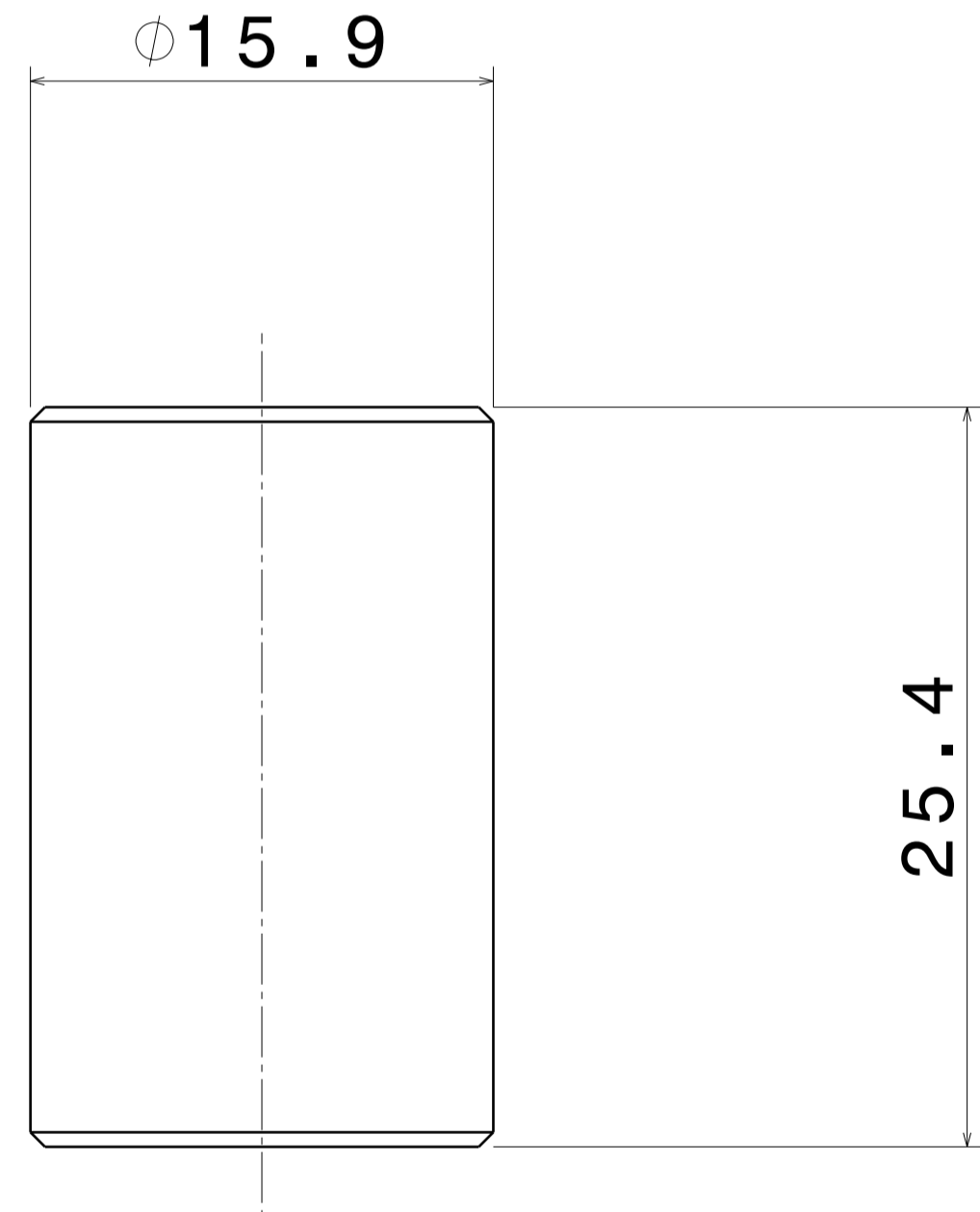
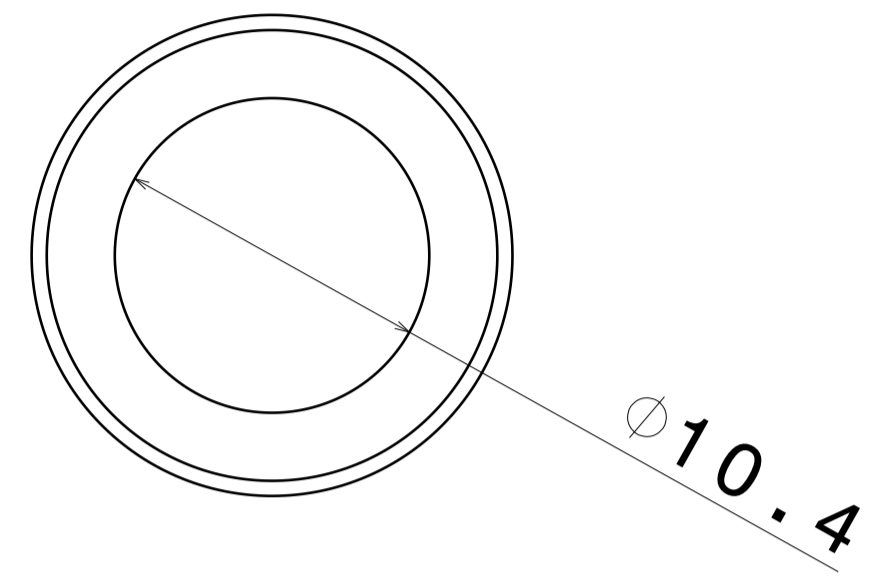
Project:	WA105	Scale:	4:1	Tot Pages:	18
Sub-Proj.:	DP Field Cage	Assembly:	Assembly Group Name	Page N°:	14
Created:	29.11.2016 Adamo Gendotti	Dimensions:	From 1 6 30 100 300 1000		
Last Mod.:	DD.MM.YYYY Name	To 6 30 100 300 1000 2000			
Constructed:	DD.MM.YYYY Name	Tolerance:	+0.1 0.2 0.3 0.5 0.8 1.2		
			Insert for Cathode Connection	DP-FC-013	



Pos	Part Name	Part Number	Material	Quantity	Description
13	Insert Sub Modules	DP-FC-014	G10/FR4	256	NOTES: .625 INCH ROD

UNLESS OTHERWISE SPECIFIED:  
 UNTOLERANCED DIMENSIONS ARE BASIC  
 VALUES QUERIED FROM 3-D DIGITAL  
 DATE FILE  
 0.5 A B C

Project:	WA105	Scale	4:1	Total Pages	18
Sub-Proj.:	DP Field Cage	Assembly Group Name		Page N°	15
Created:	29.11.2016	Name	Adamo Gendotti	Dimensions	From 1 6 30 100 300 1000
Last Mod.:	DD.MM.YYYY	Name		To	6 30 100 300 1000 2000
Constructed:	DD.MM.YYYY	Name		Tolerance	±0.1 0.2 0.3 0.5 0.8 1.2
ETH zürich		Insert Sub Module 1		DP-FC-014	

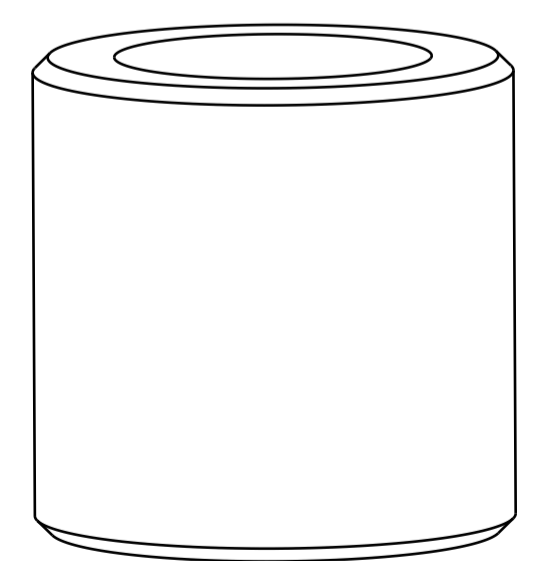
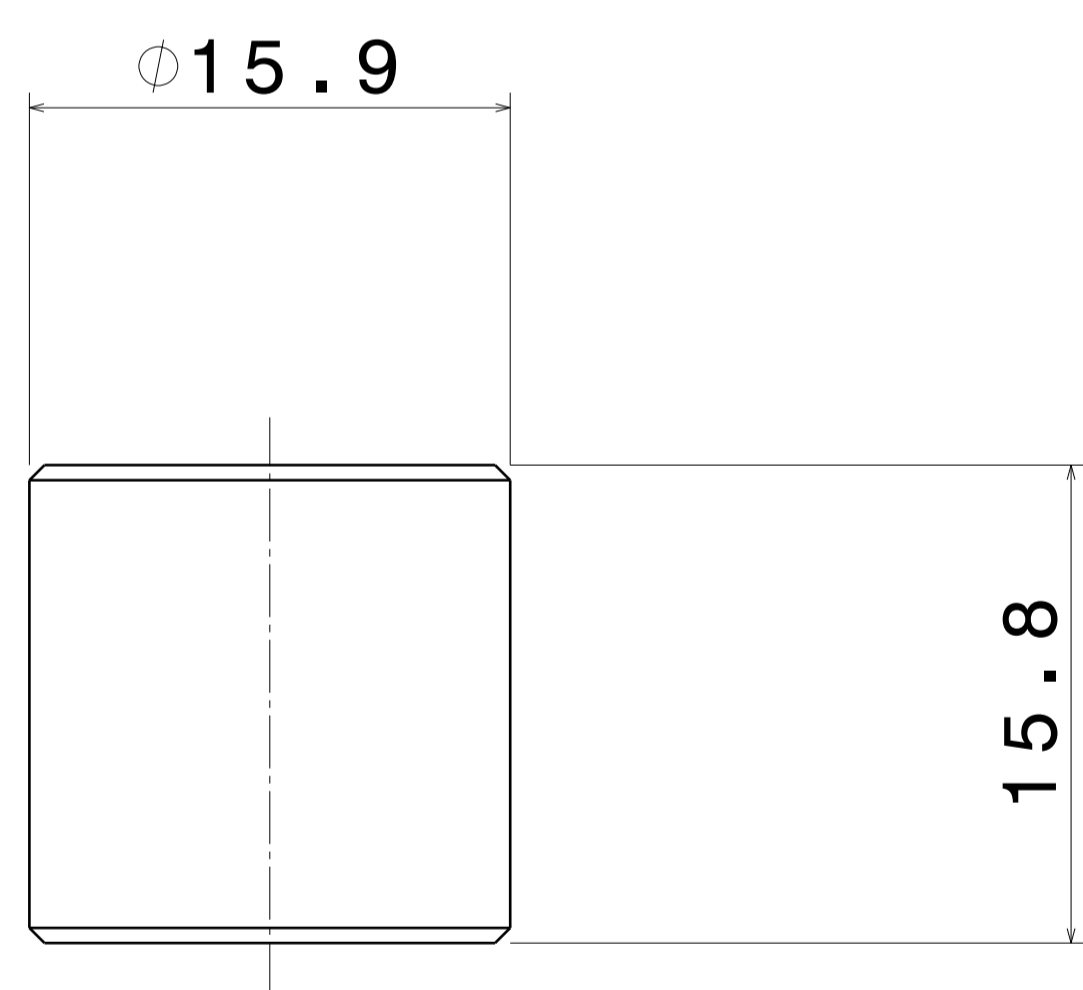
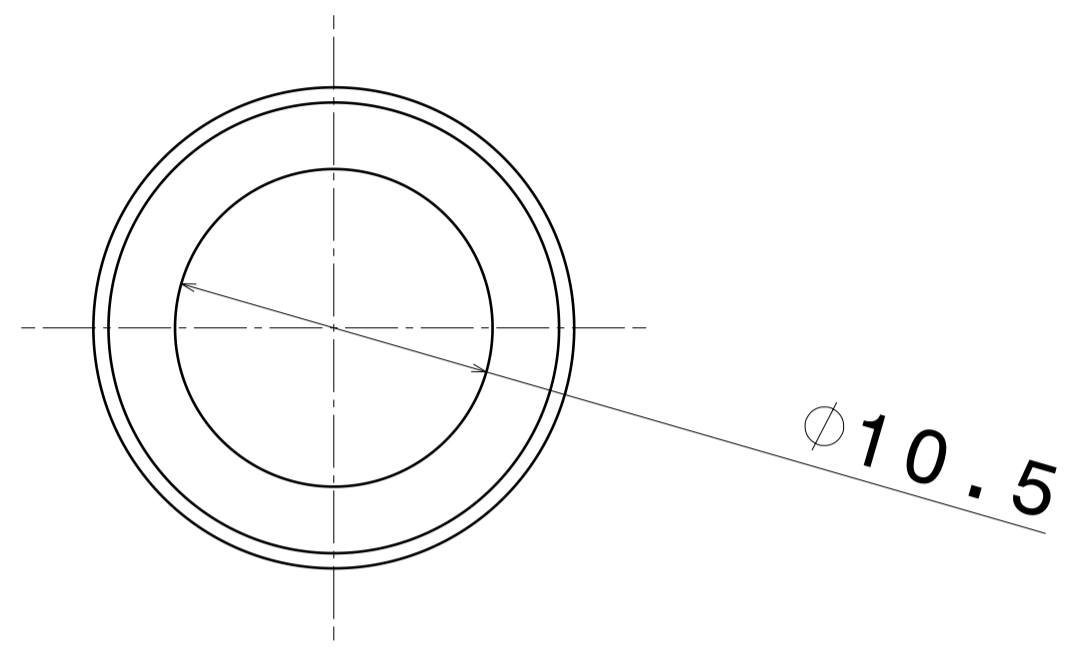


Pos	Part Name	Part Number	Material	Quantity	Description
14	Insert Sub Modules 2	DP-FC-015	G10/FR4	320	NOTES: .625 INCH ROD

UNLESS OTHERWISE SPECIFIED:  
 UNTOLERANCED DIMENSION ARE BASIC  
 VALUES QUERIED FROM 3-D DIGITAL  
 DATE FILE  
 0.5 A B C

Project: WA105		Scale: 4:1		Tot Pages: 18	
Sub-Proj.: DP Field Cage		Assembly: Assembly Group Name		Page N°: 16	
Created: 29.11.2016	Name: Adamo Gendotti	Dimensions	From: 1 6 30 100 300 1000	To: 6 30 100 300 1000 2000	
Last Mod.: DD.MM.YYYY	Name:	Tolerance	±0.1 0.2 0.3 0.5 0.8 1.2		
Constructed: DD.MM.YYYY Name:		ETH zürich		Insert Sub Modules 2	
				DP-FC-015	



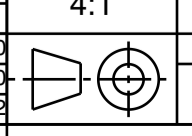


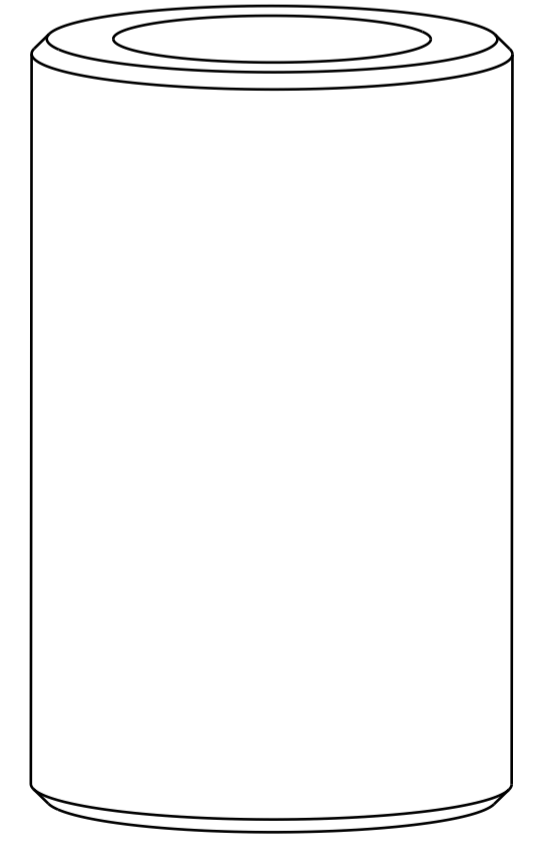
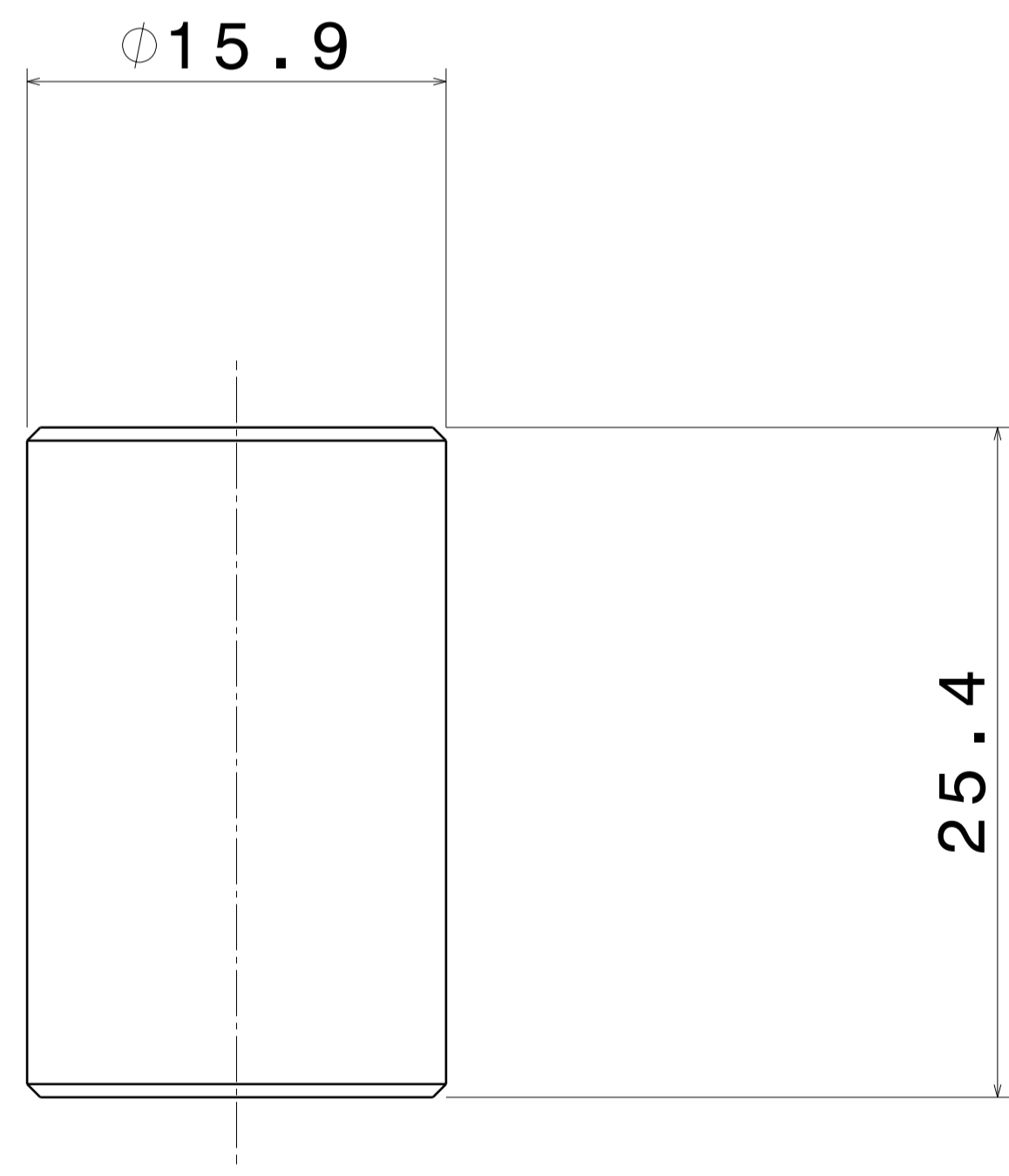
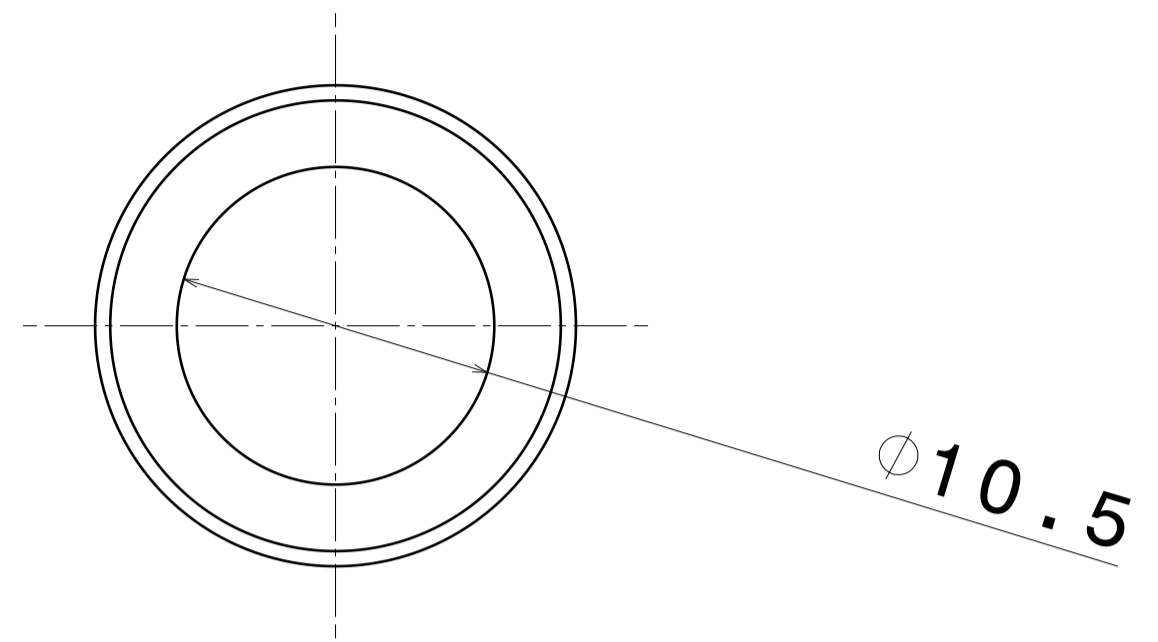
Pos	Part Name	Part Number	Material	Quantity	Description
15	Insert for L Short	DP-FC-016	G10/FR4	48	NOTES: .625 INCH ROD

UNLESS OTHERWISE SPECIFIED:  
 UNTOLERANCED DIMENSION ARE BASIC  
 VALUES QUERIED FROM 3-D DIGITAL  
 DATE FILE

0.5 A B C

Project: WA105	Scale: 4:1	Total Pages: 18
Sub-Proj.: DP Field Cage		
Assembly: Assembly Group Name		
Created: 29.11.2016 Adamo Gendotti	Dimensions	From 1 4 30 100 300 1000
Last Mod.: DD.MM.YYYY Name	To	6 30 100 300 1000 2000
Constructed: DD.MM.YYYY Name	Tolerance	±0.1 0.2 0.3 0.4 0.6 1.2
<b>ETH zürich</b>	Insert for L Short	DP-FC-016





Pos	Part Name	Part Number	Material	Quantity	Description
16	Insert for L Long	DP-FC-017	G10/FR4	192	NOTES: .625 INCH ROD

UNLESS OTHERWISE SPECIFIED:  
 UNTOLERANCED DIMESNION ARE BASIC  
 VALUES QUERIED FROM 3-D DIGITAL  
 DATE FILE

⓪ 0.5 A B C

Project:	WA105	Scale:	4:1	Tot Pages:	18
Sub-Proj.:	DP Field Cage	Assembly:	Assembly Group Name	Page N°:	18
Created:	29.11.2016 Adamo Gendotti	Dimensions:	From 1 6 30 100 300 1000		
Last Mod.:	DD.MM.YYYY Name	To	6 30 100 300 1000 2000		
Constructed:	DD.MM.YYYY Name	Tolerance:	±0.1 0.2 0.3 0.5 0.8 1.2		

<b>ETH zürich</b>	Insert for L Long	DP-FC-017
-------------------	-------------------	-----------