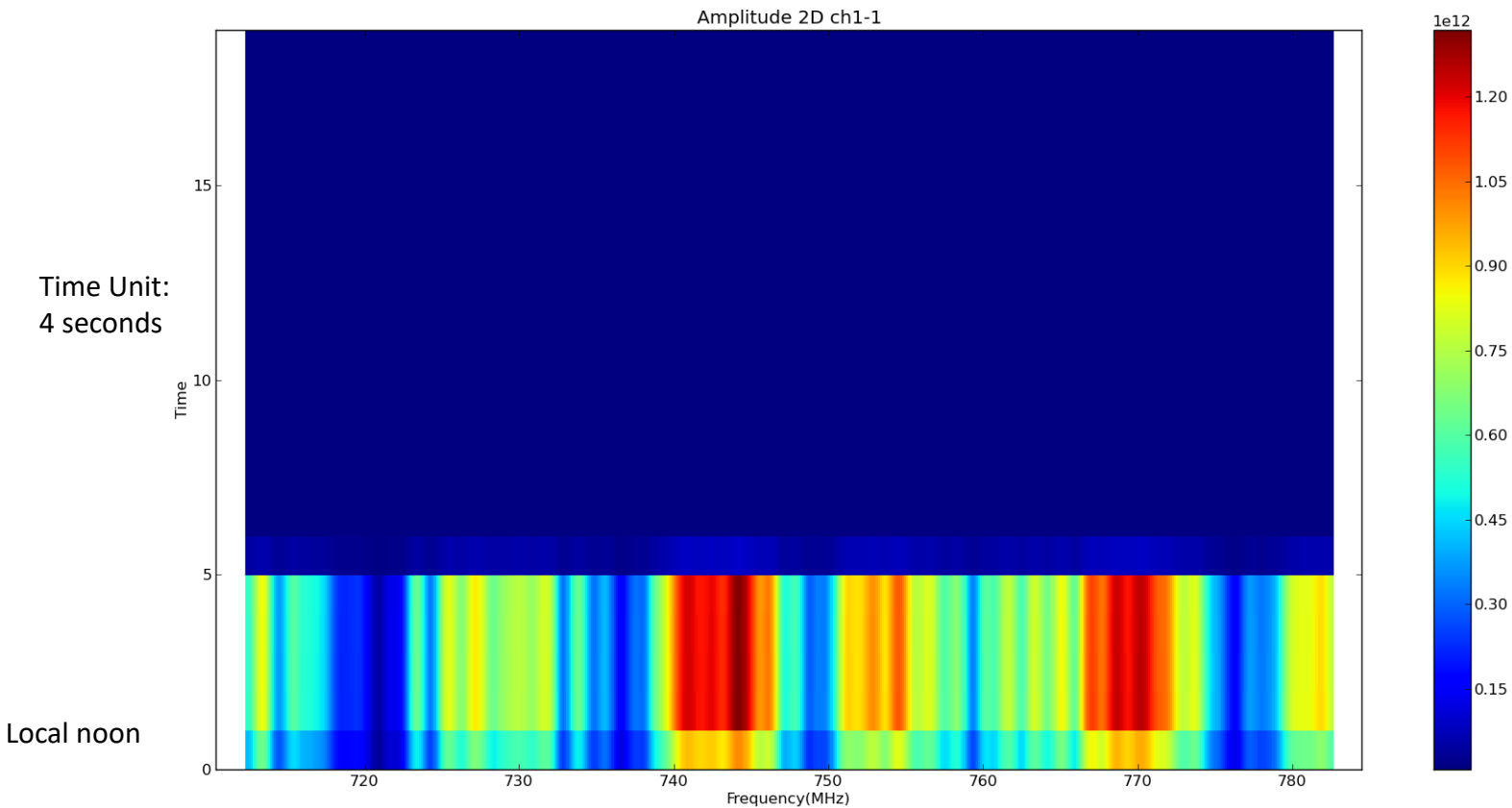


# The Problem of the Observation Data on 2016/12/31

Jixia Li - NAOC

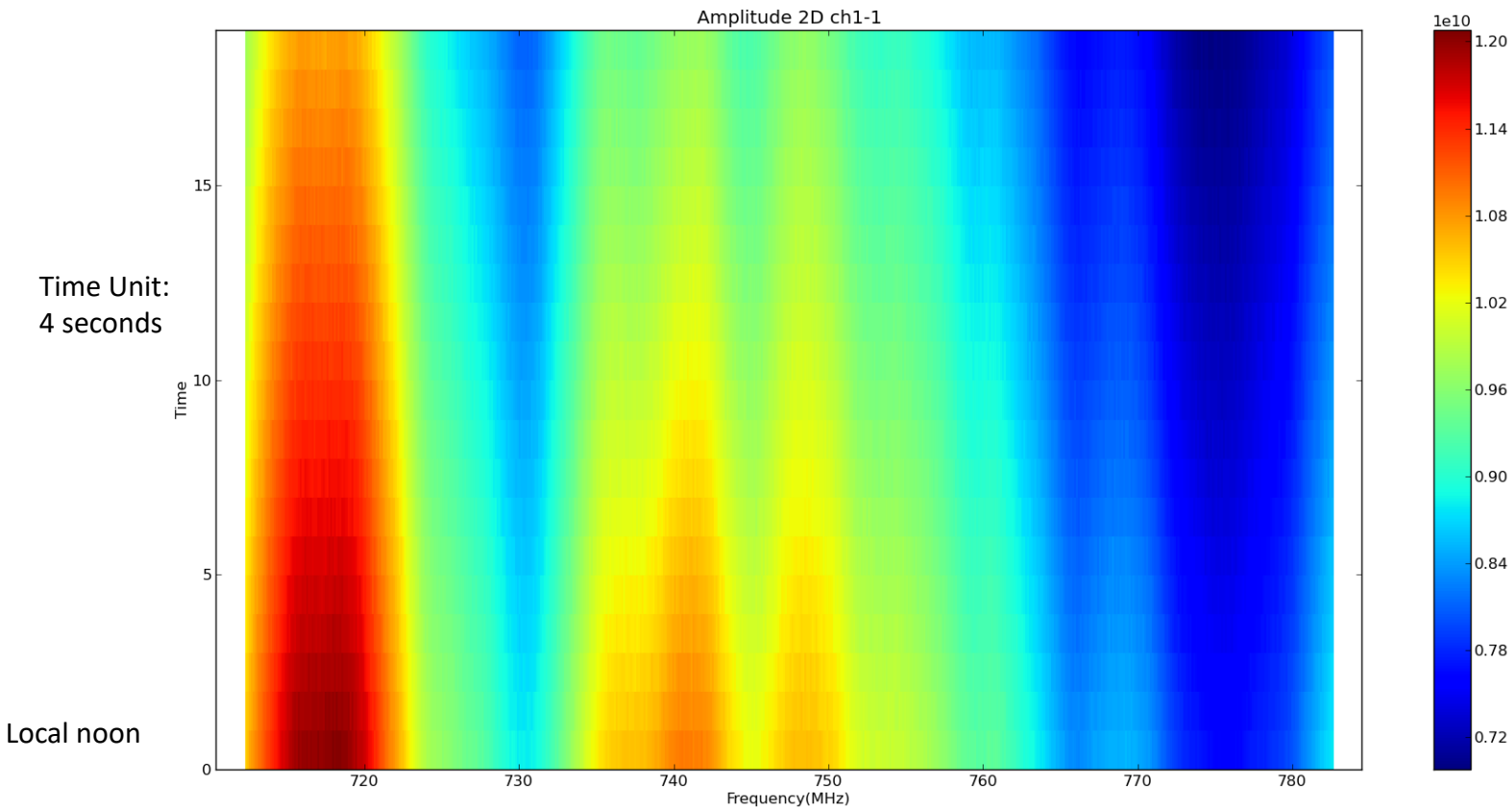
# Observation Data of 20161231

- 2016/12/31 20:51:54



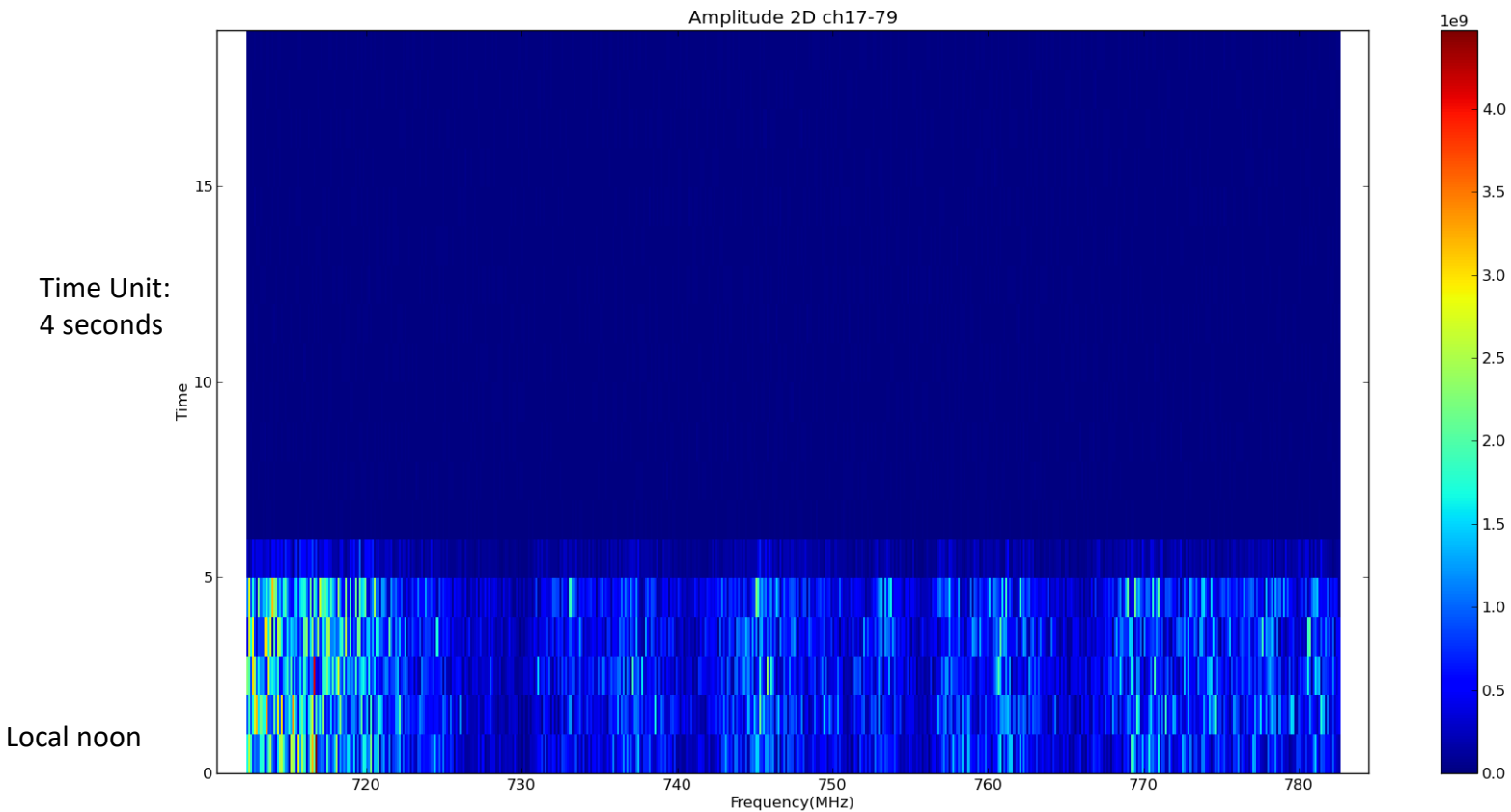
# Observation Data of 20161231

- 2016/12/31 20:51:54



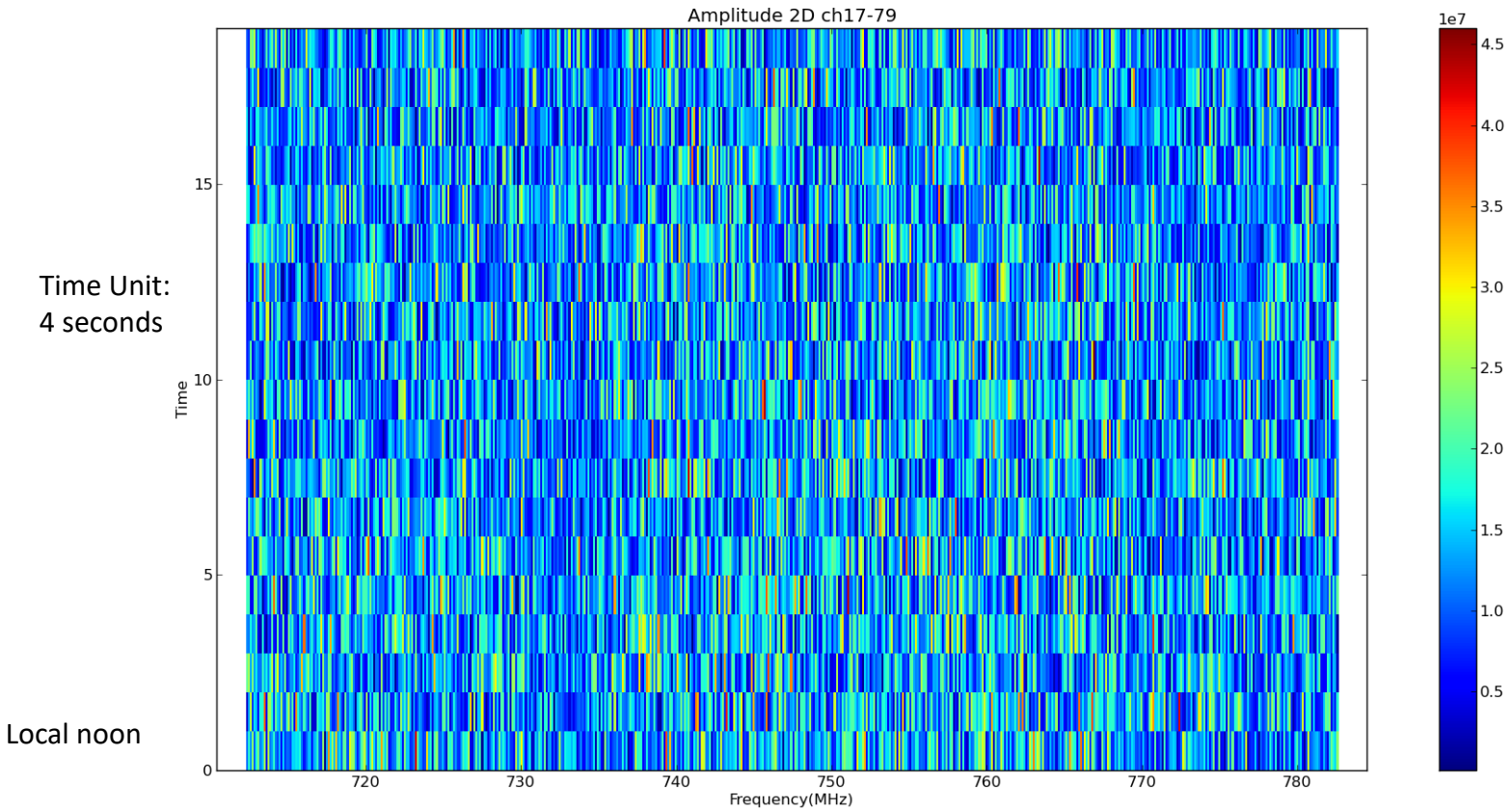
# Observation Data of 20161231

- 2016/12/31 20:51:54



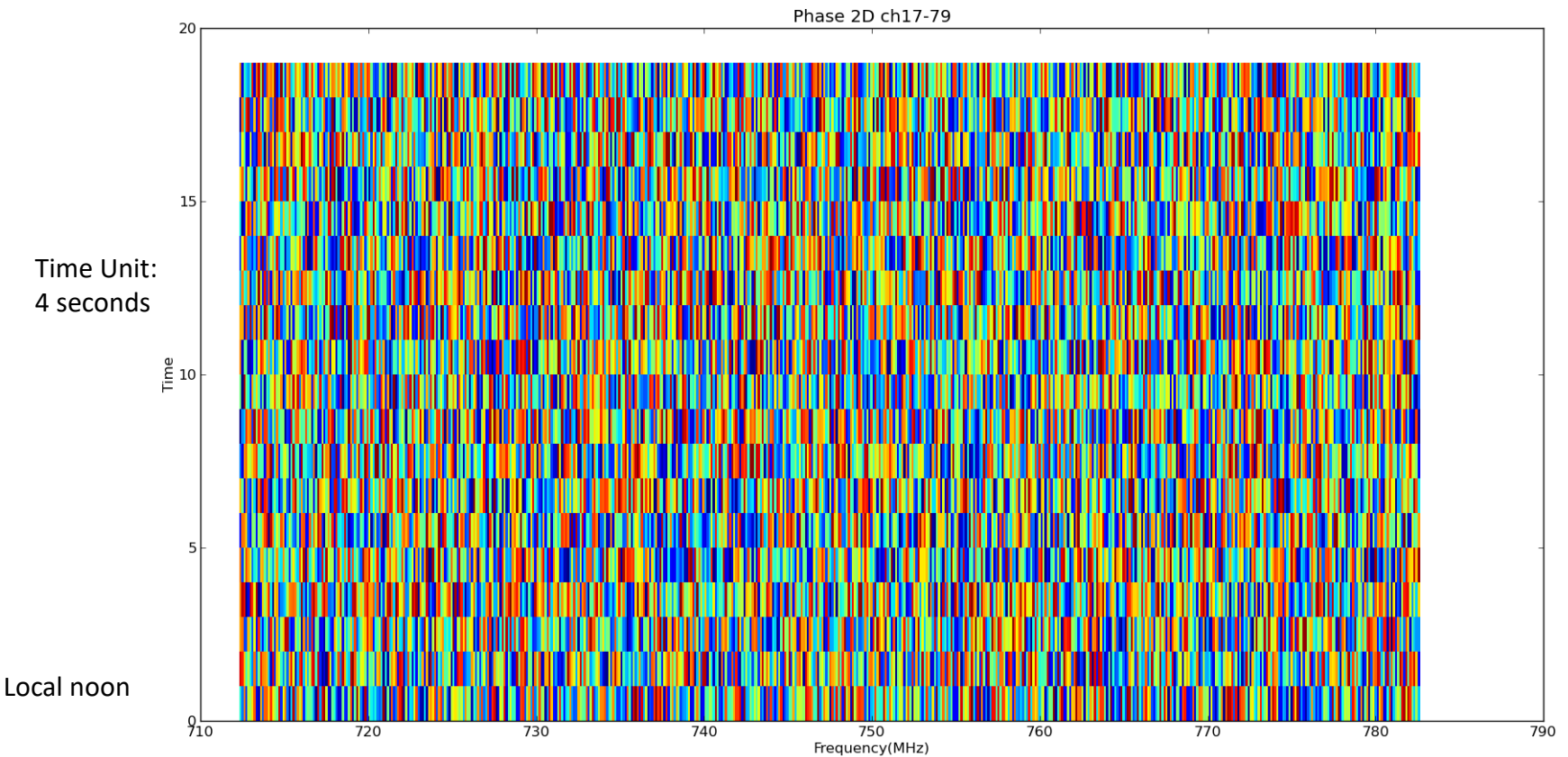
# Observation Data of 20161231

- 2016/12/31 20:51:54



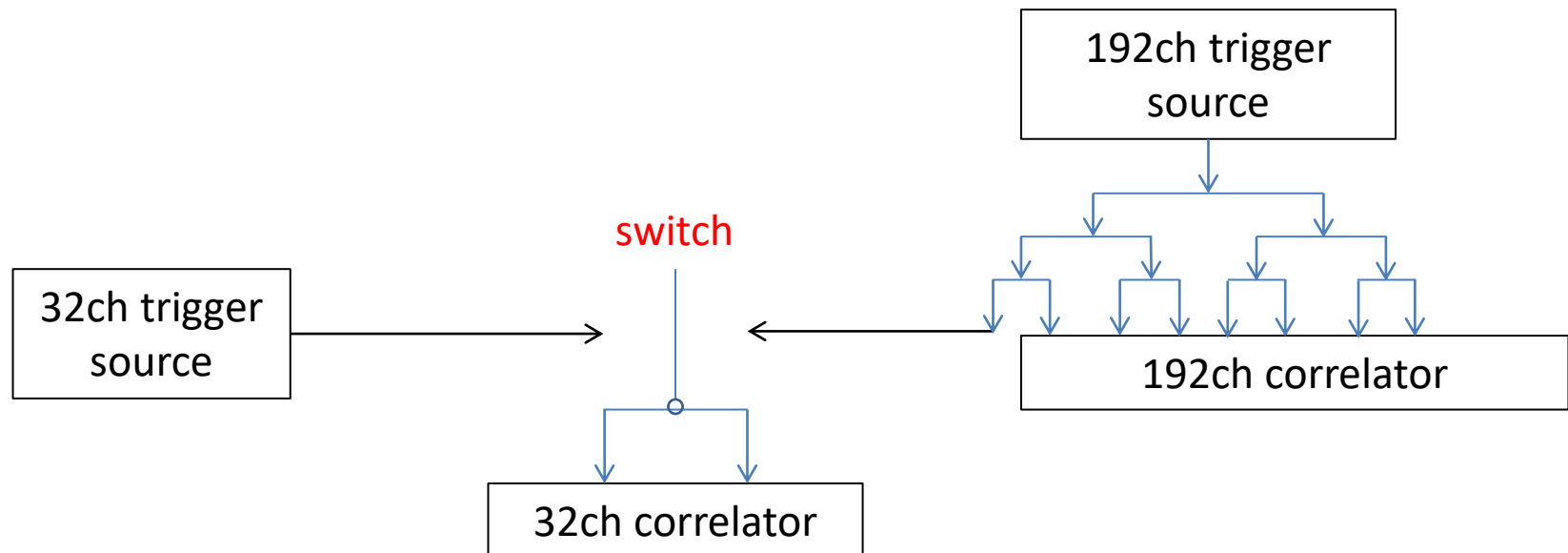
# Observation Data of 20161231

- 2016/12/31 20:51:54



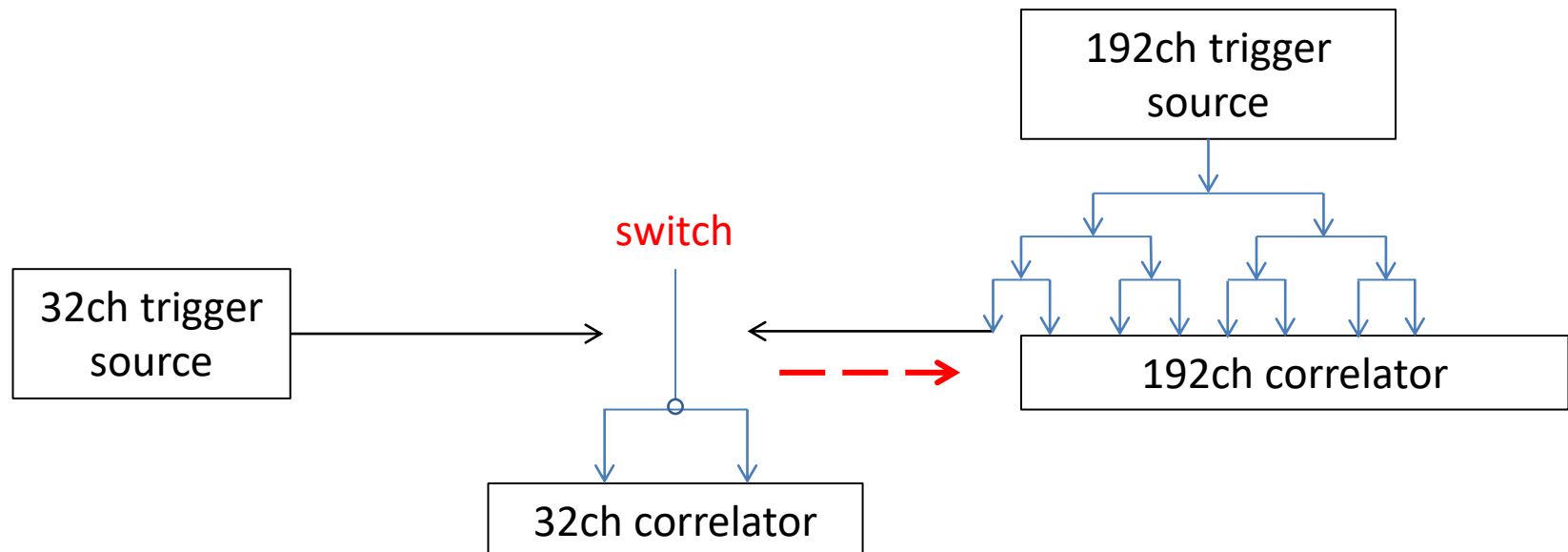
# Observation Data of 20161231

- Joint observation mode
  - The trigger system



# Observation Data of 20161231

- Joint observation mode
  - Unexpected inverse trigger signal



When powered on, the 32ch correlator initializes its ports – used to receive trigger signal – to high level. It behaves like a trigger signal and inversely triggered some of the chips on 192ch correlator unexpectedly.



# Observation Data of 20161231

- Joint observation mode
  - Solution

