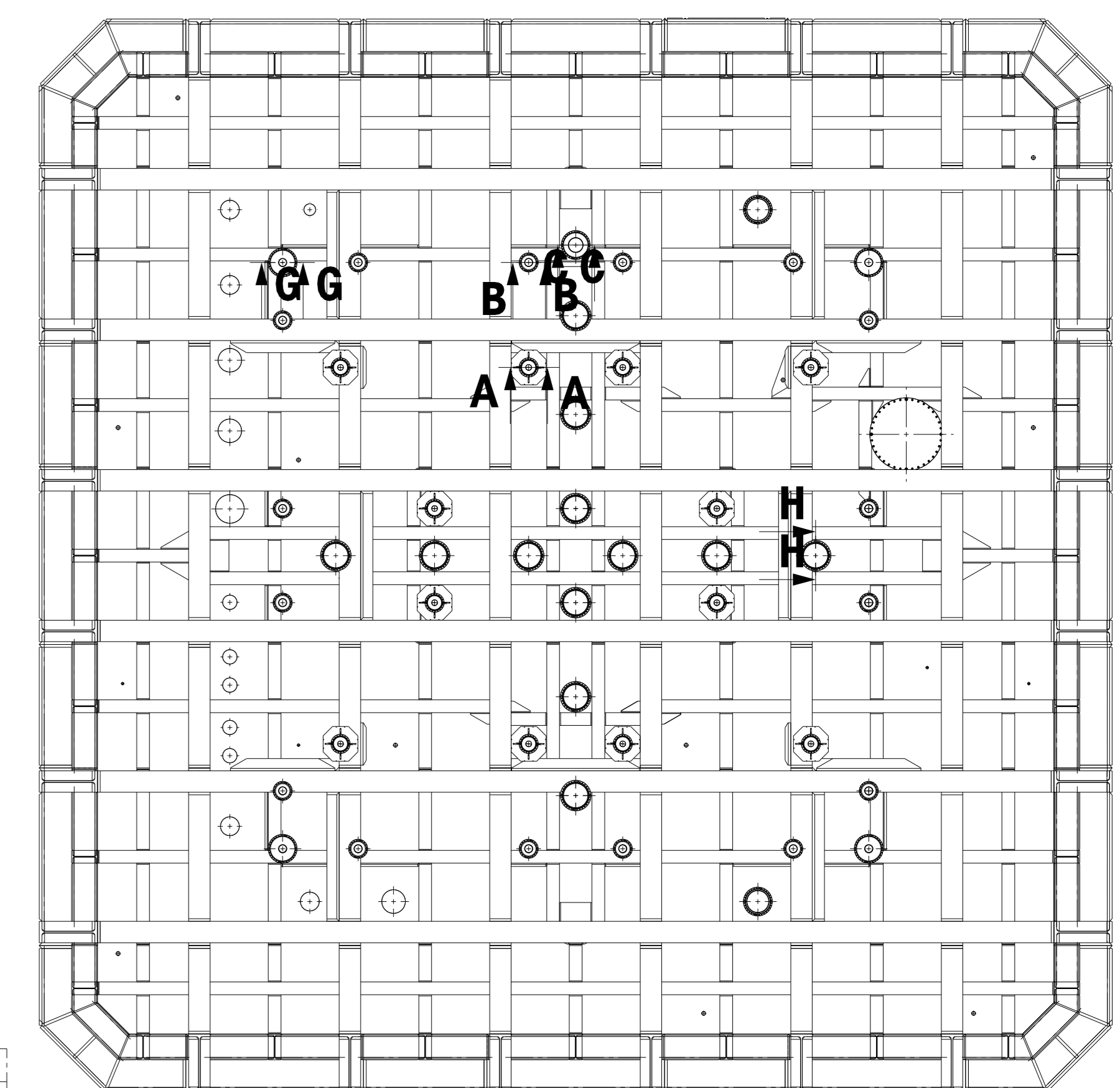
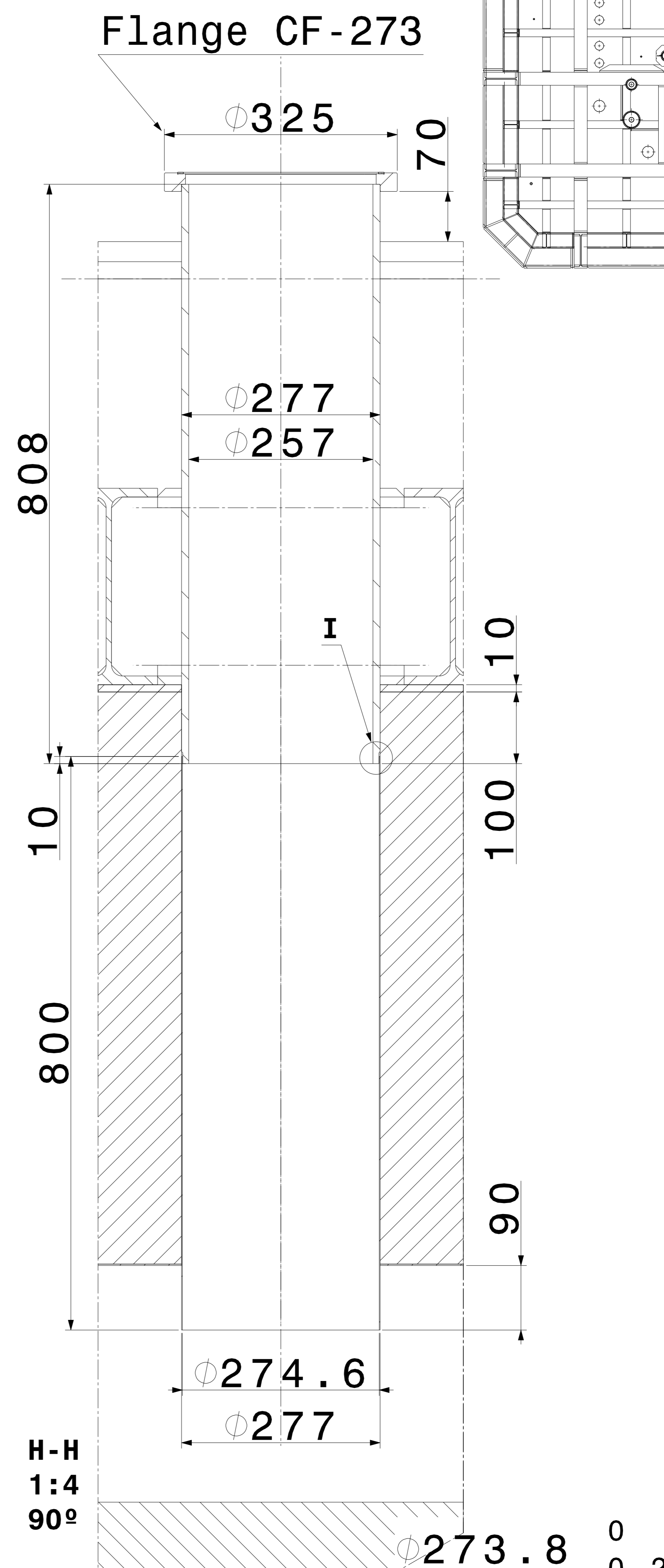
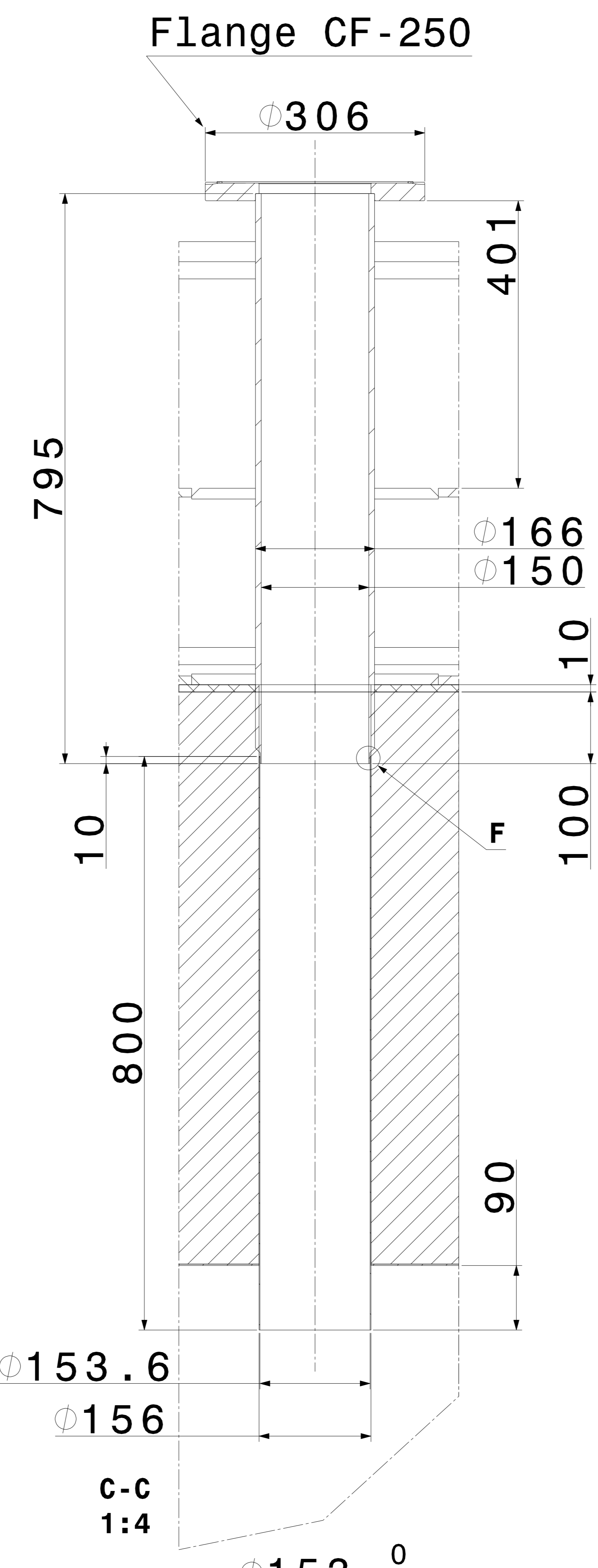
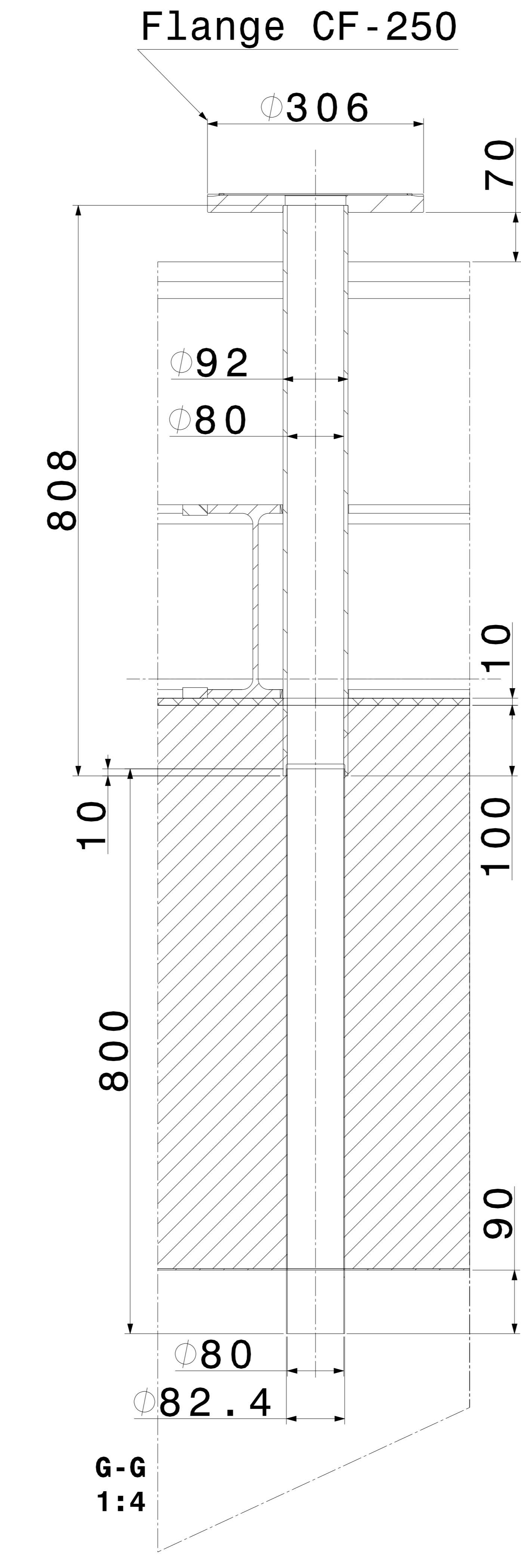
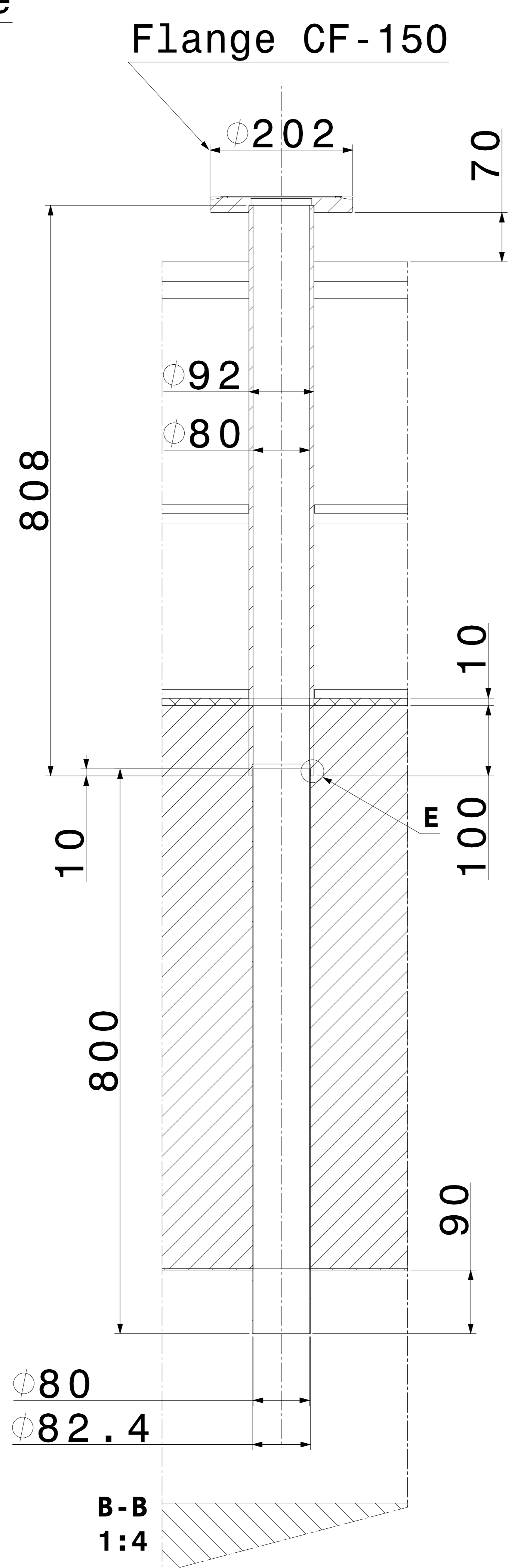
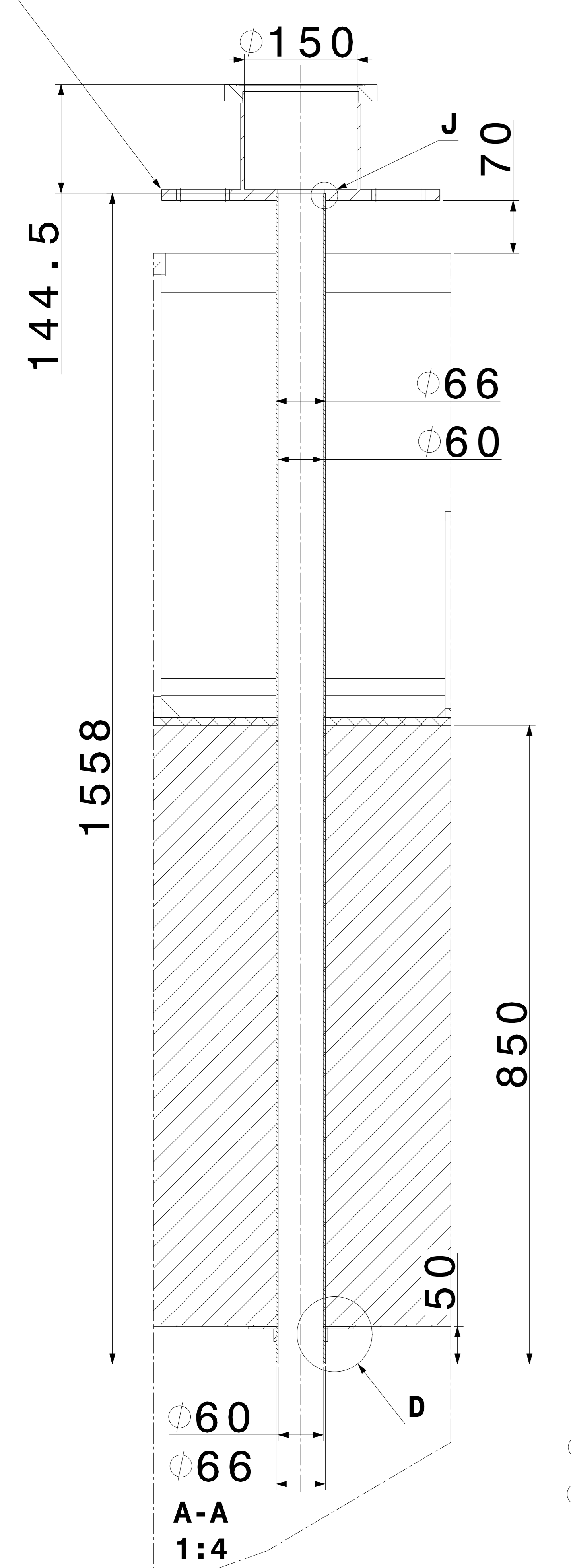
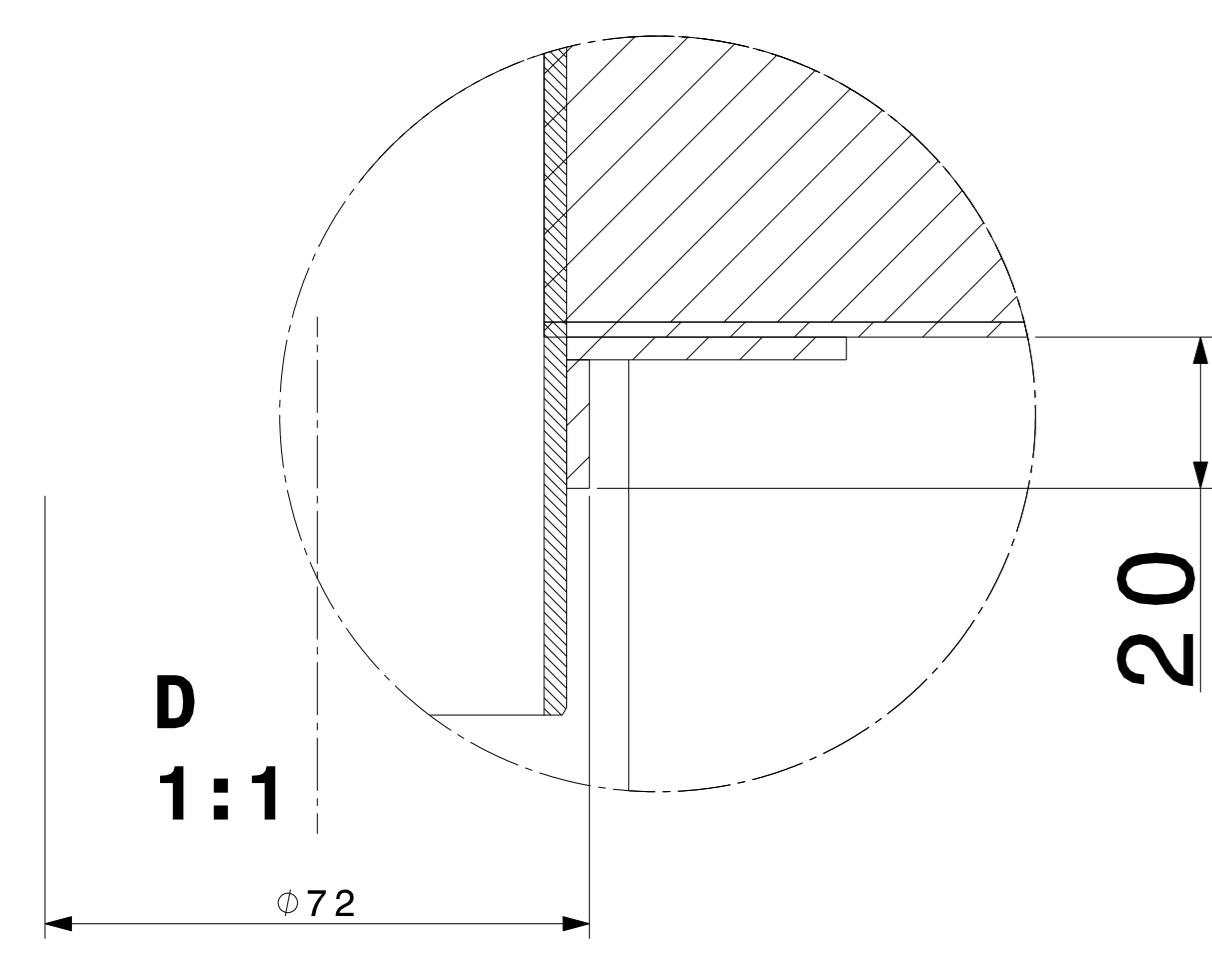


J  
2:1  
Adamo-s design flange

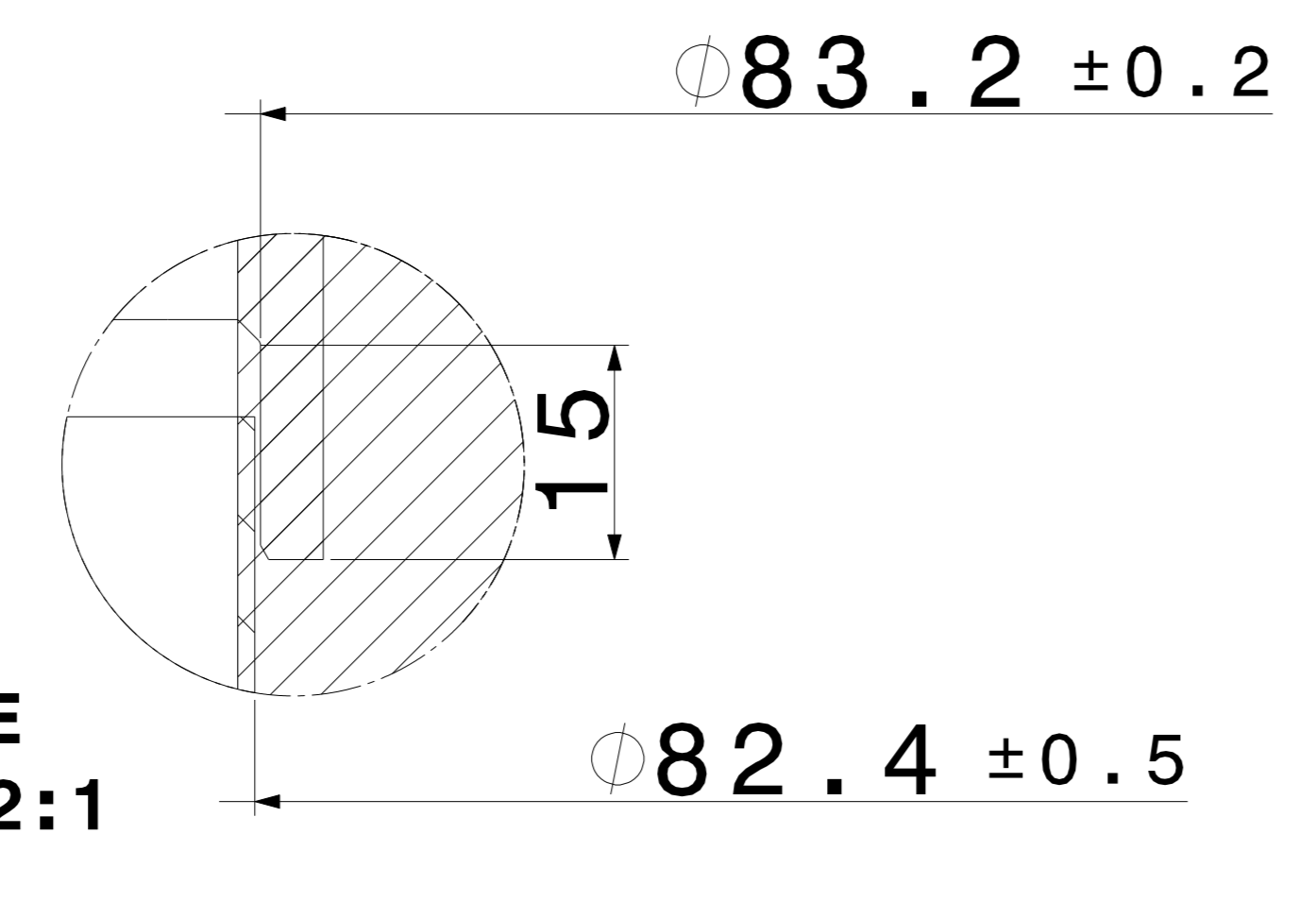
Adamo-s design flange



Front view  
1:50

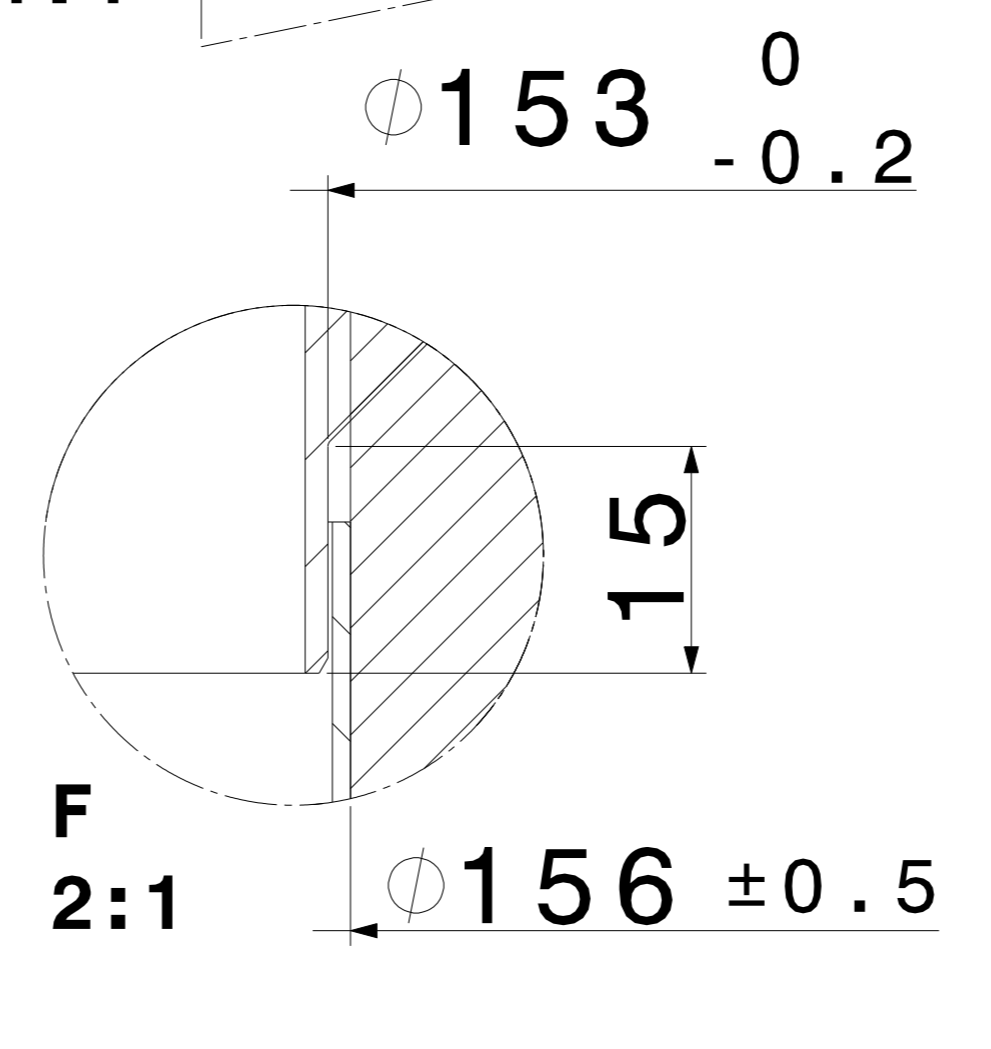


D  
1:1



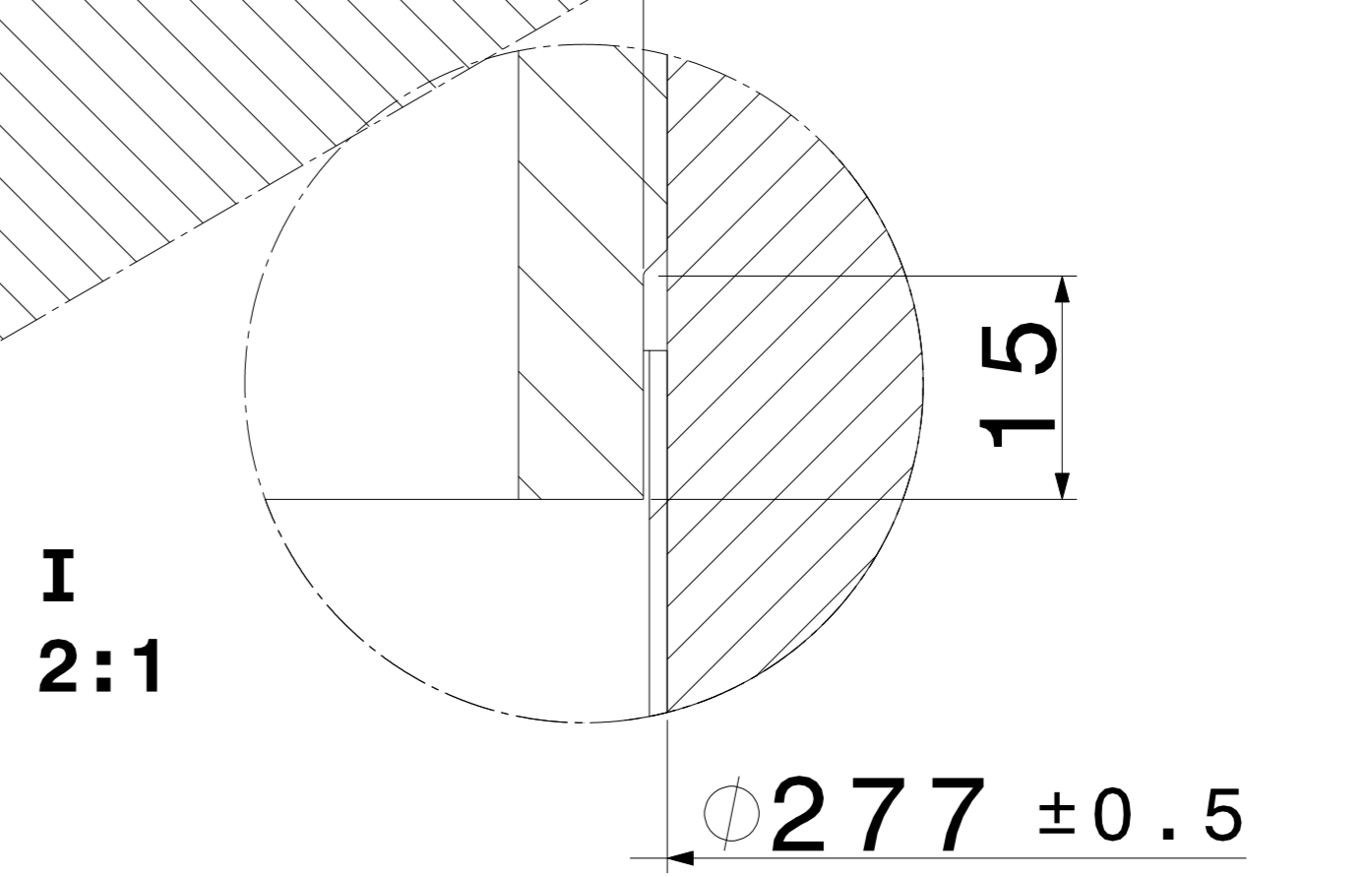
E  
2:1  
82.4 ± 0.5

83.2 ± 0.2



F  
2:1  
156 ± 0.5

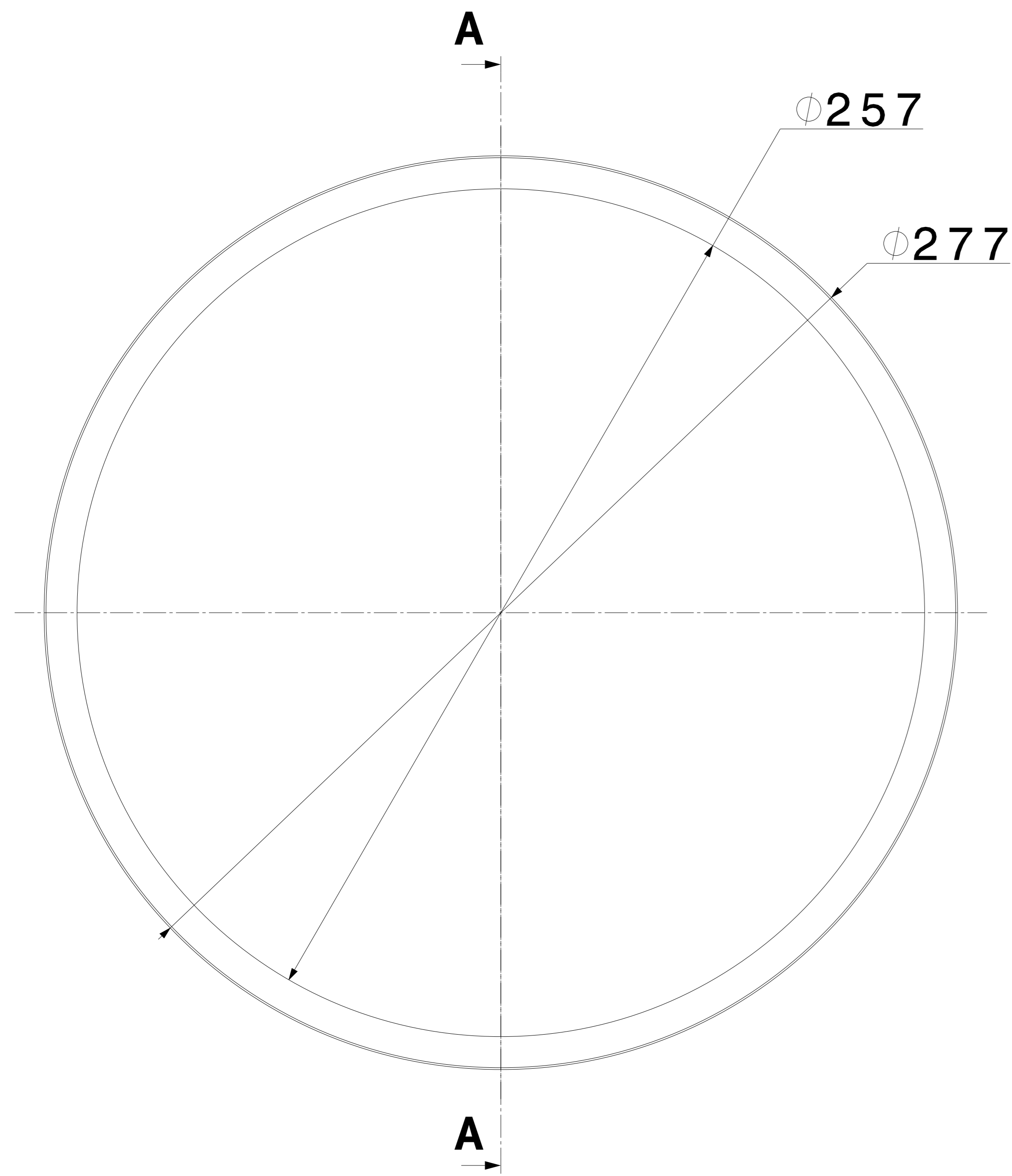
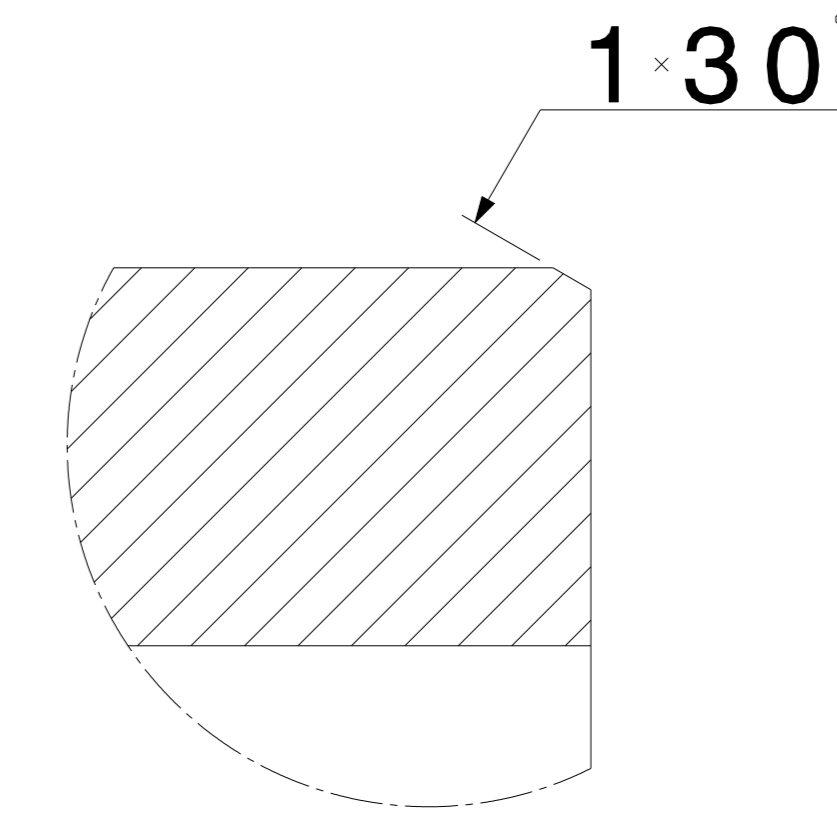
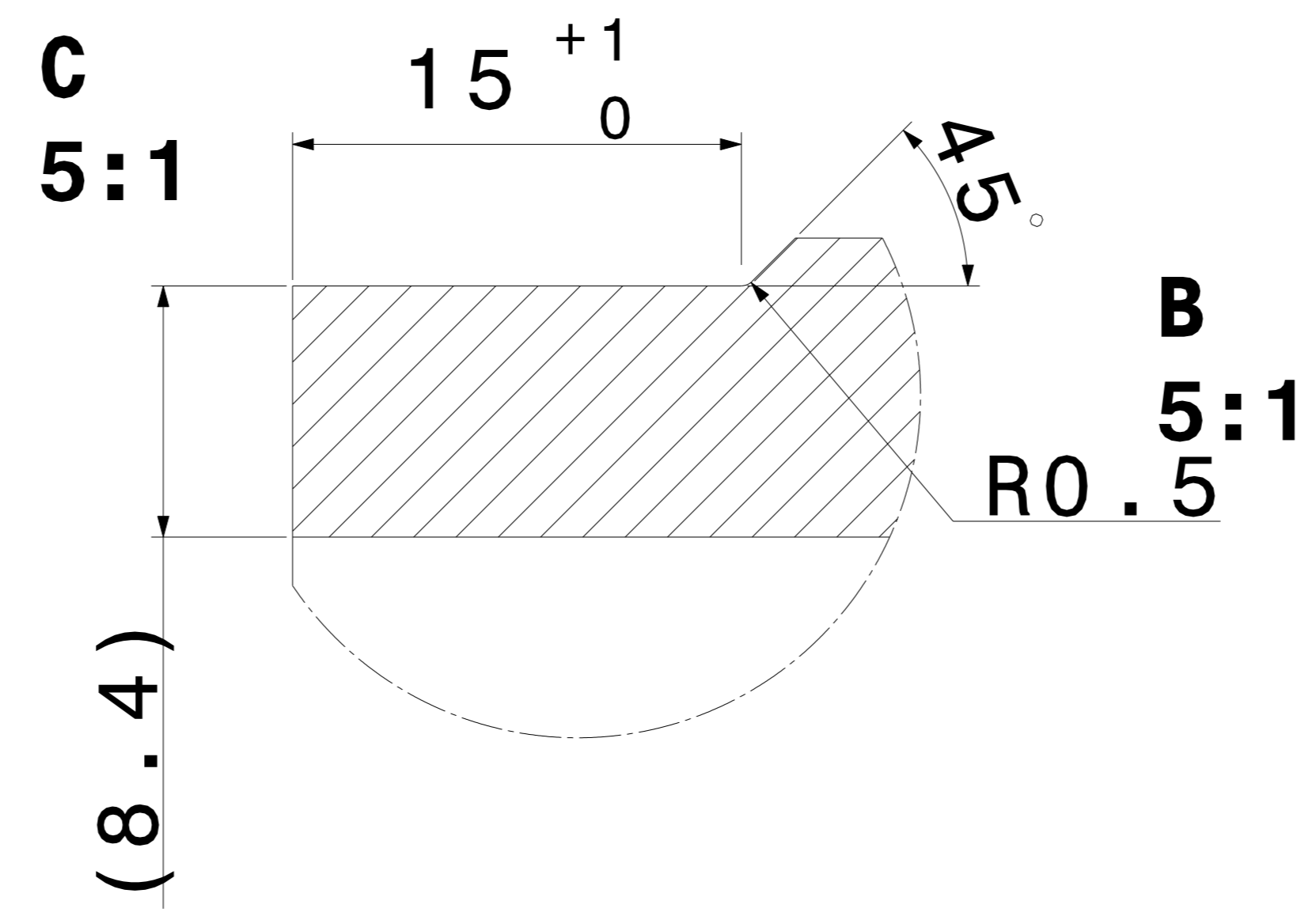
153<sup>0</sup><sub>-0.2</sub>



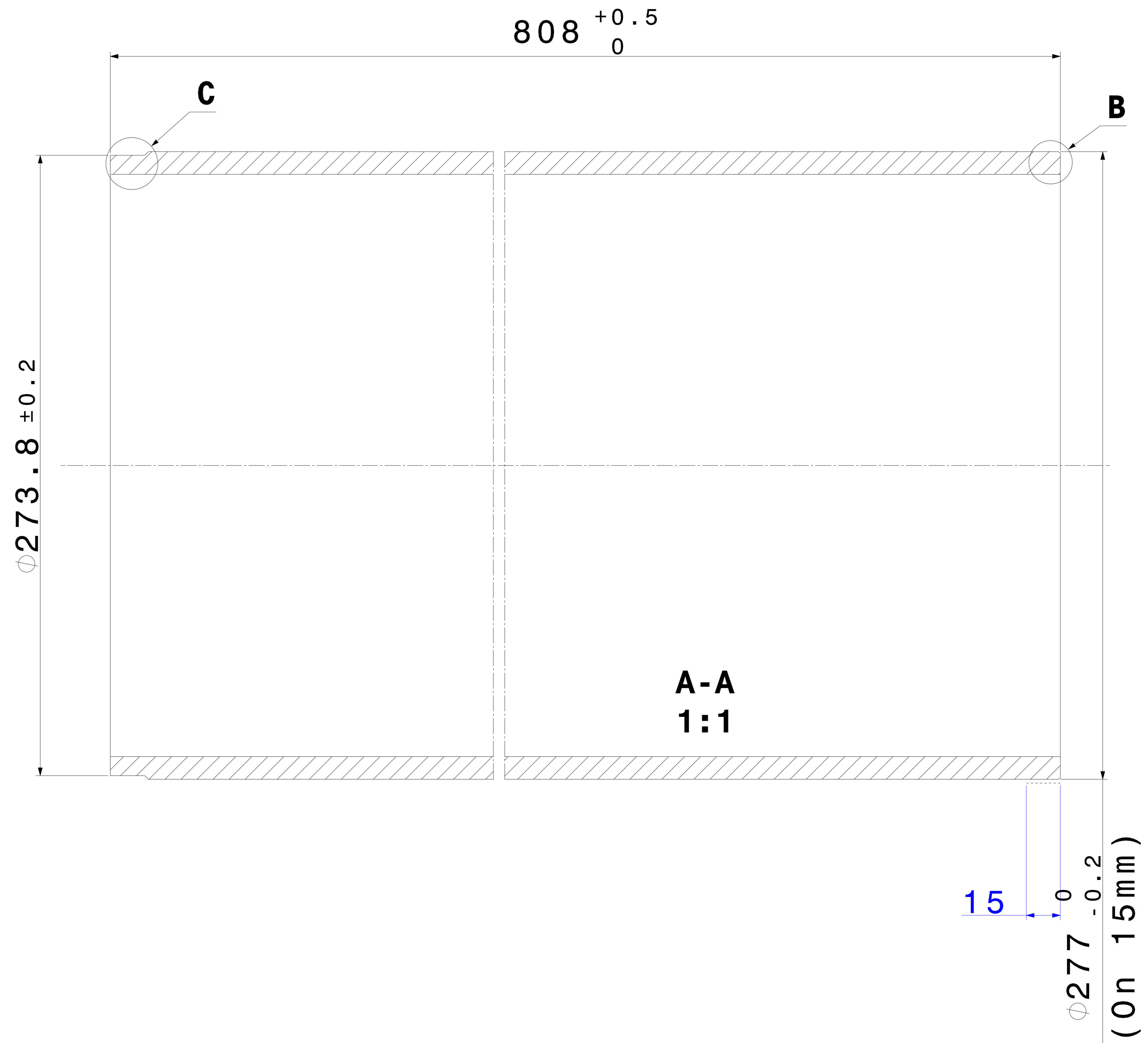
I  
2:1  
277 ± 0.5

273.8<sup>0</sup><sub>-0.2</sub>

H-H  
1:4  
90°

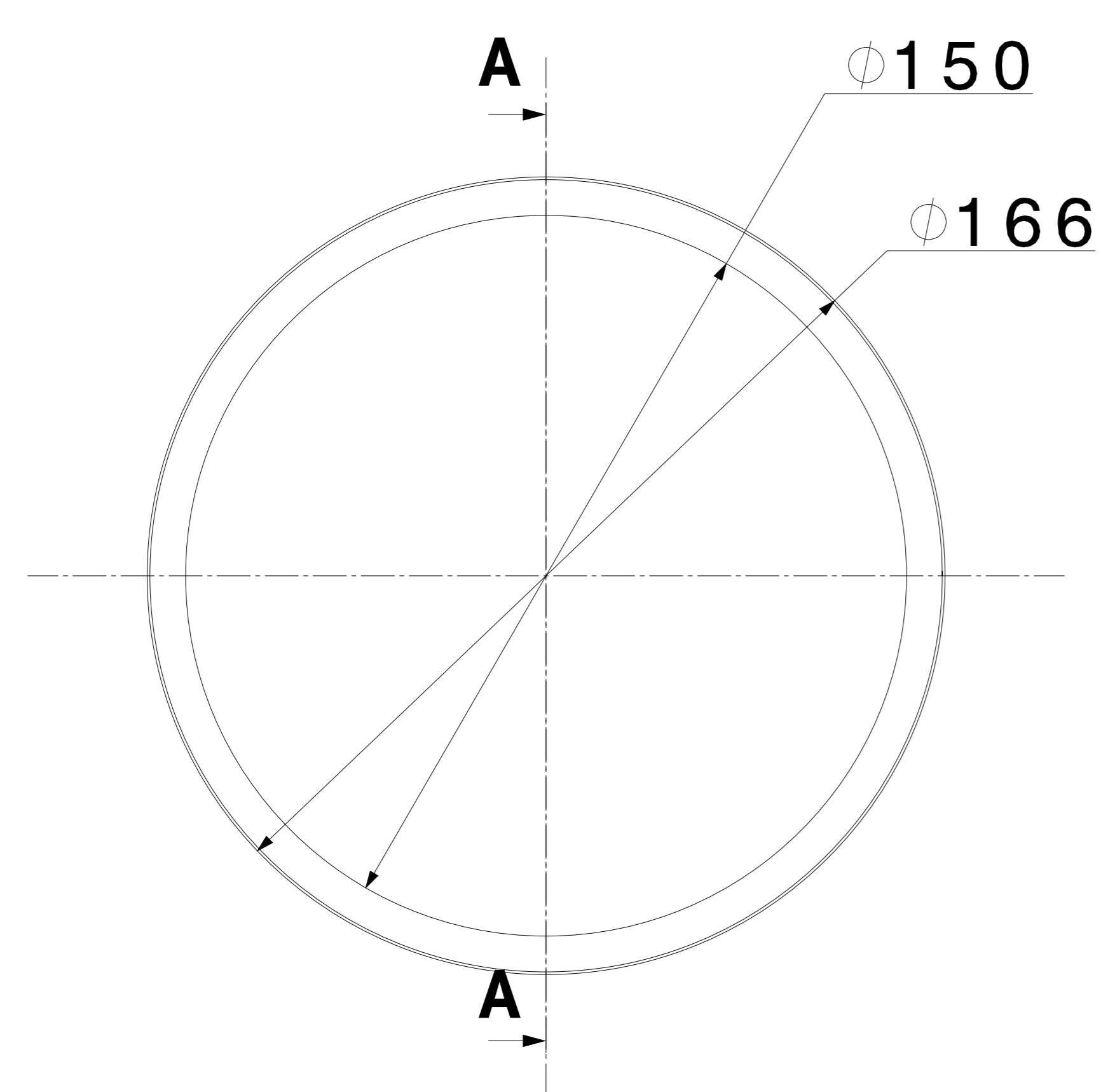
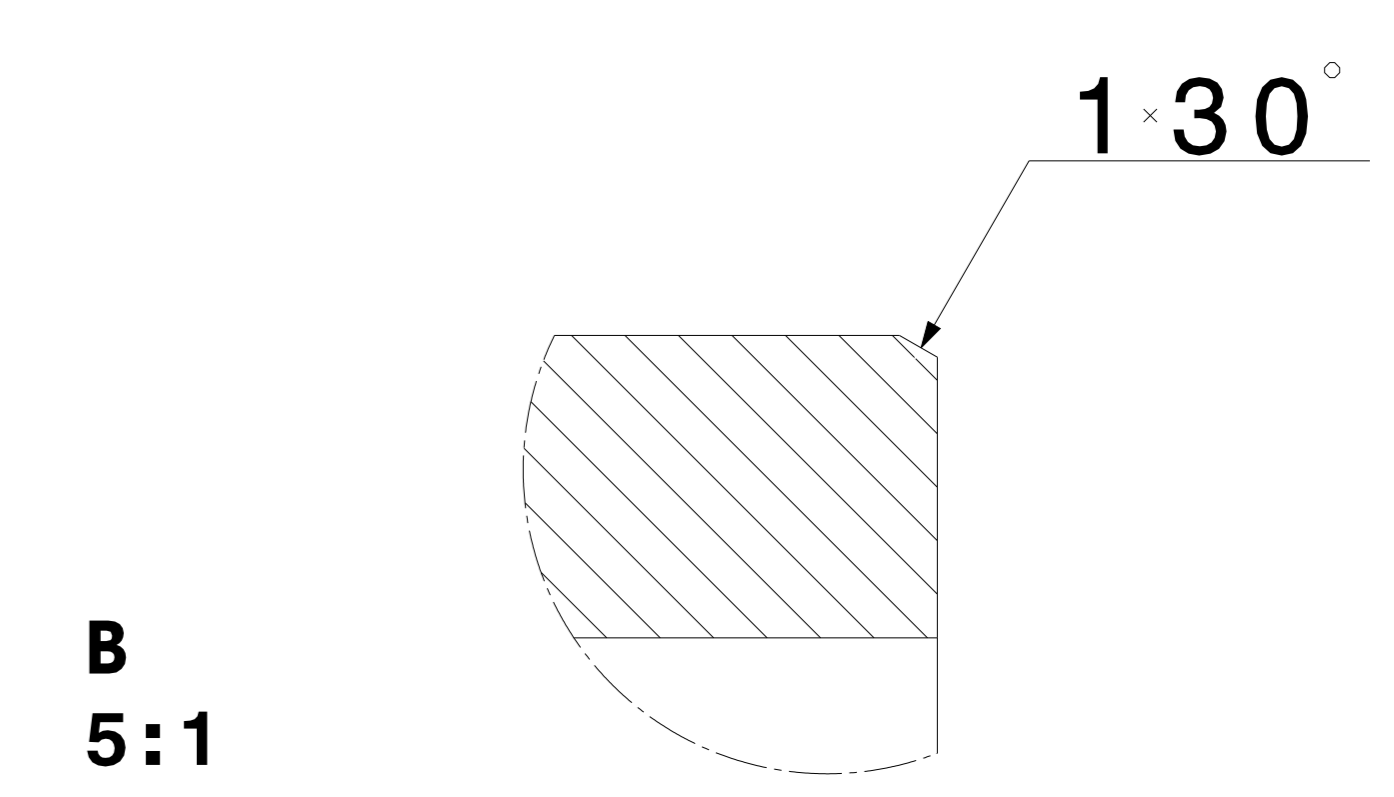
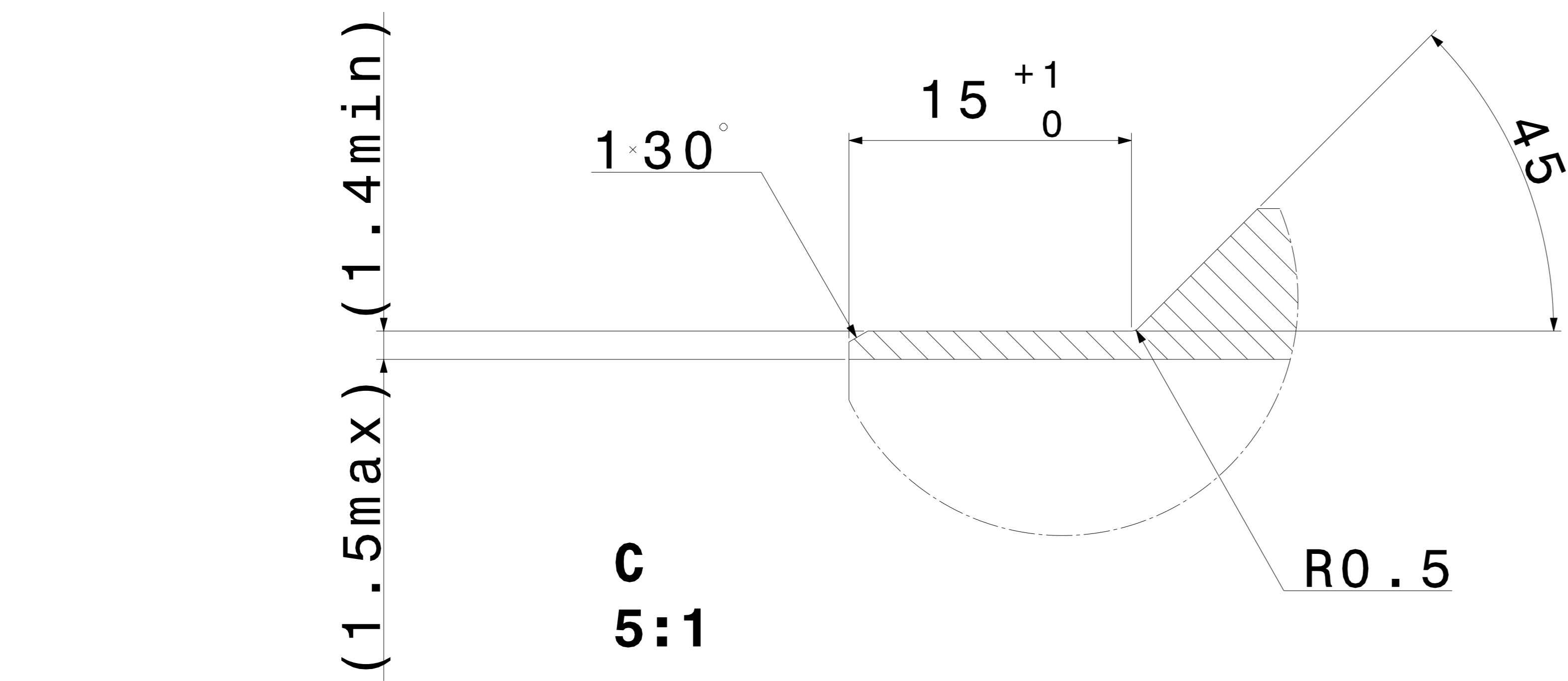


Front view  
1:1

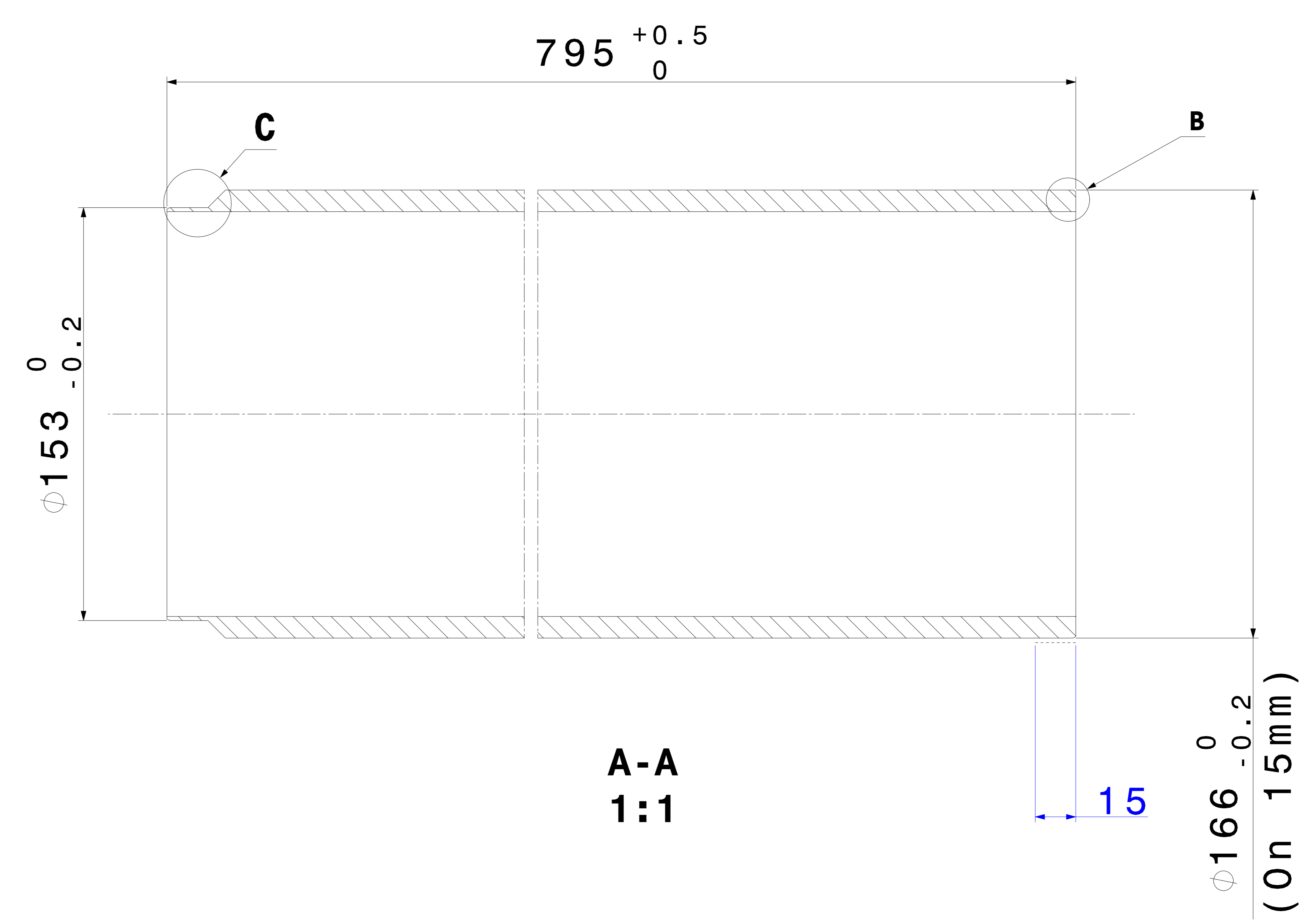


X12 pieces

PIPE D277		SCALE	DRAWN	B. LACRELLE	2016-12-16
			CONTROLLED		
			RELEASED		
			APPROVED		
			CAD Document Number	ST0819066_02	
			REPLACES		
NON VALABLE POUR EXECUTION NOT VALID FOR EXECUTION		QMC	-		SIZE
					IND.
					0



**Front view**  
**1:1**

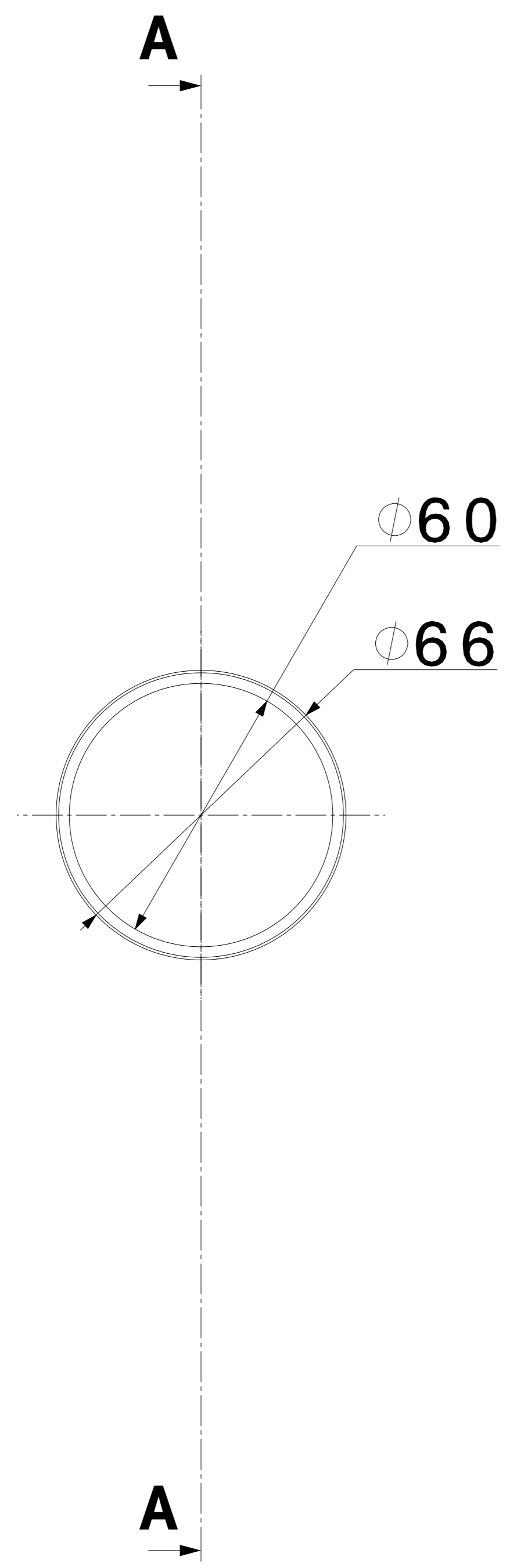


**X1 piece**

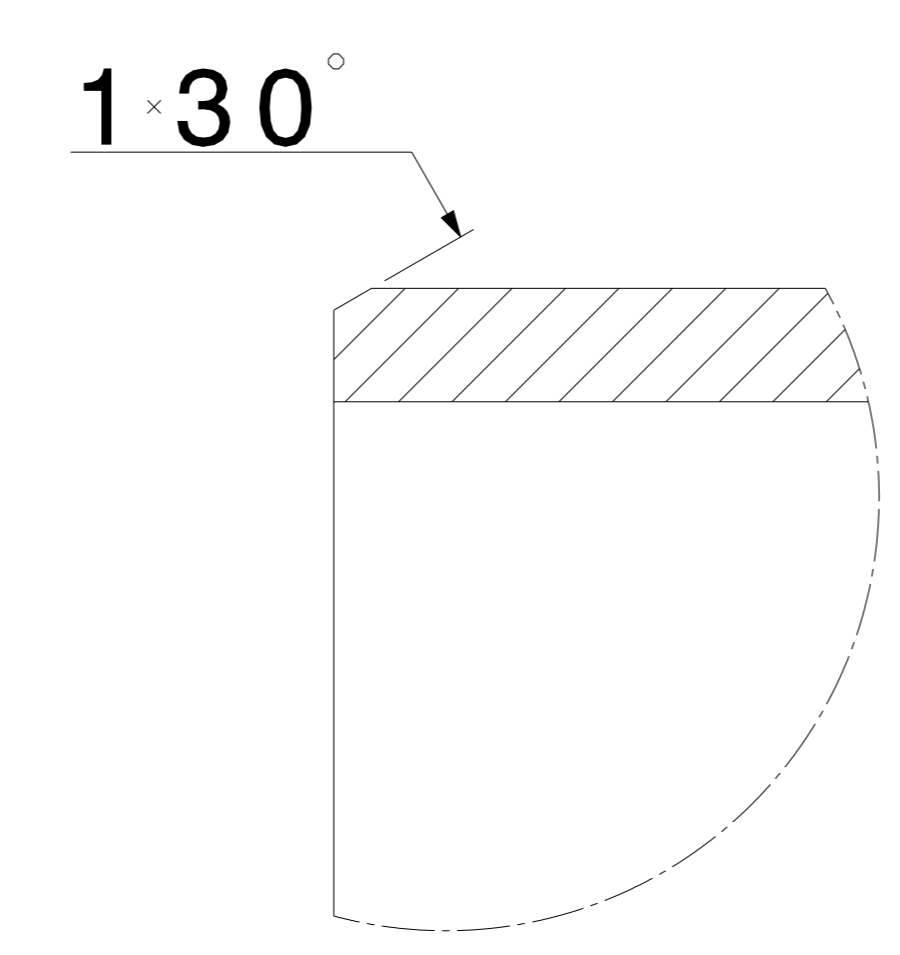
22  
 21  
 20  
 19  
 18  
 17  
 16  
 15  
 14  
 13  
 12  
 11  
 10  
 9  
 8  
 7  
 6  
 5  
 4  
 3  
 2  
 1  
 0

PIPE D166EXT/D150INT		SCALE: - DRAWN: B. LACRELLE 2017-02-10 CONTROLLED: RELEASED: APPROVED: CAD Document Number: ST0825547_02 REPLACES:
NON VALABLE POUR EXECUTION NOT VALID FOR EXECUTION	QMC: -	SIZE: IND: 0

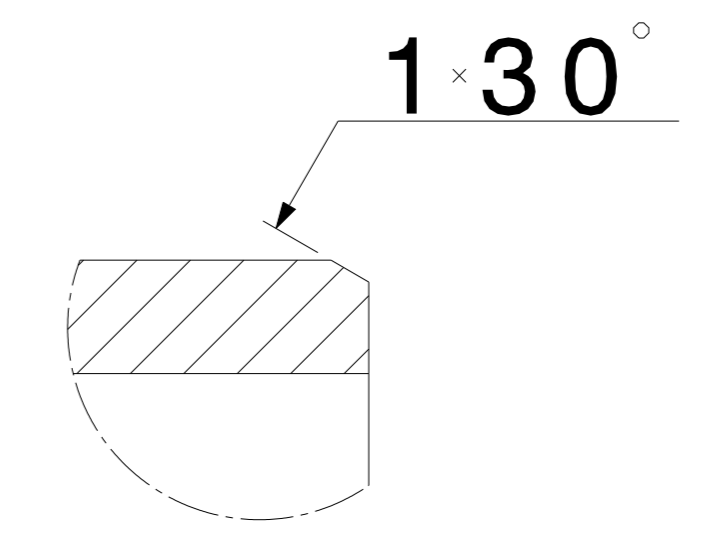




Front view  
1:1



C  
5:1



B  
5:1



A-A  
1:1

X12 pieces

Pipe D60		SCALE	1:1	DRAWN	B. LACRELLE	2016-12-16
NON VALABLE POUR EXECUTION NOT VALID FOR EXECUTION		CONTROLLED		RELEASED		
		APPROVED		CAD Document Number	ST0819072_02	
		REPLACES				
		SIZE	IND.			0

DRESTEIN, INGÉNIEUR DES TRAVAUX  
 MÉCANIQUE, ÉLECTRICITÉ, HYDRAULIQUE  
 ASSOCIÉS 105, RUE DE LA SERRAVALLE  
 54100 VILLERS-LEZ-NANCY  
 TEL: 03 83 38 00 00  
 www.drestein.com