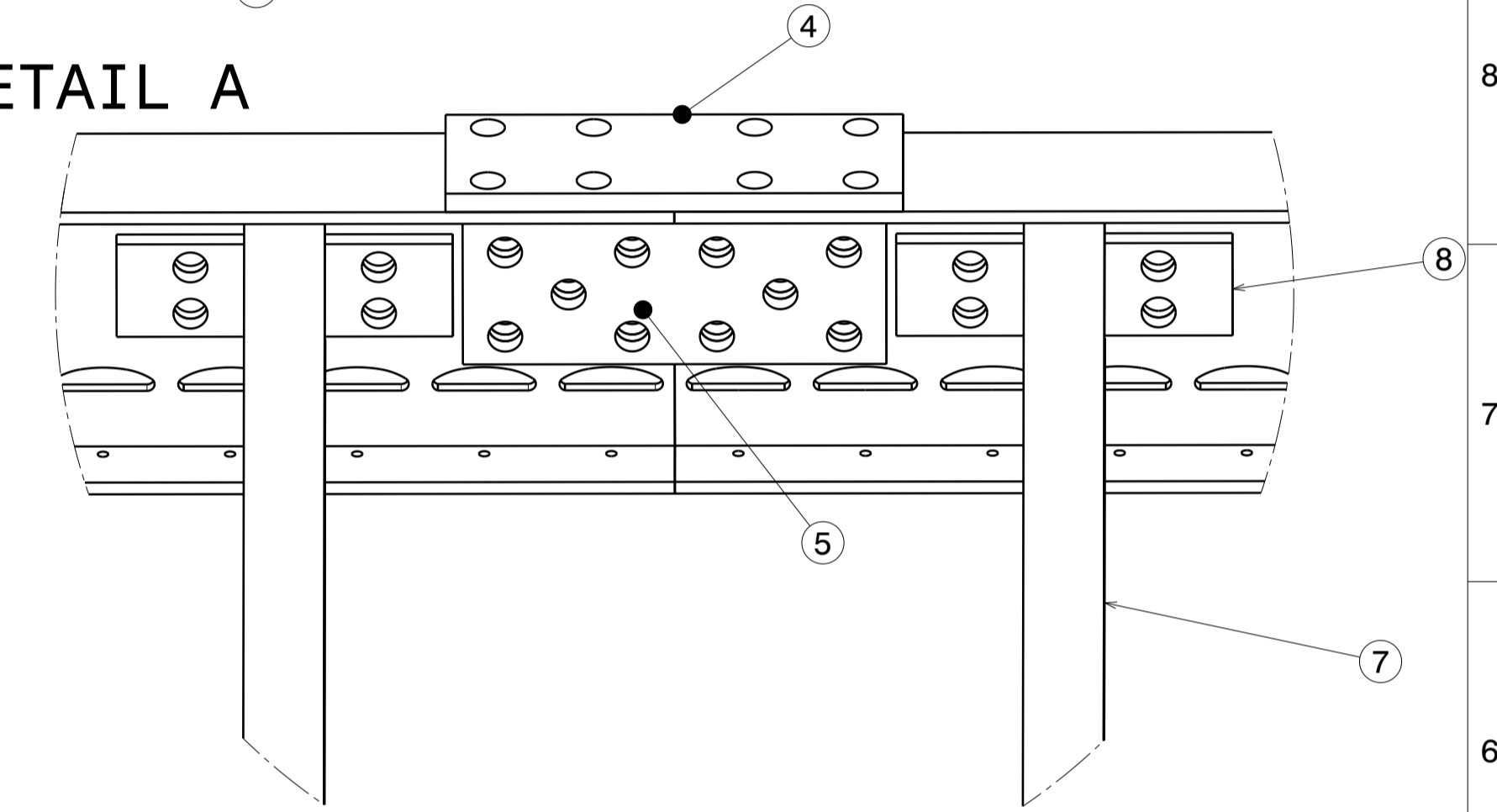
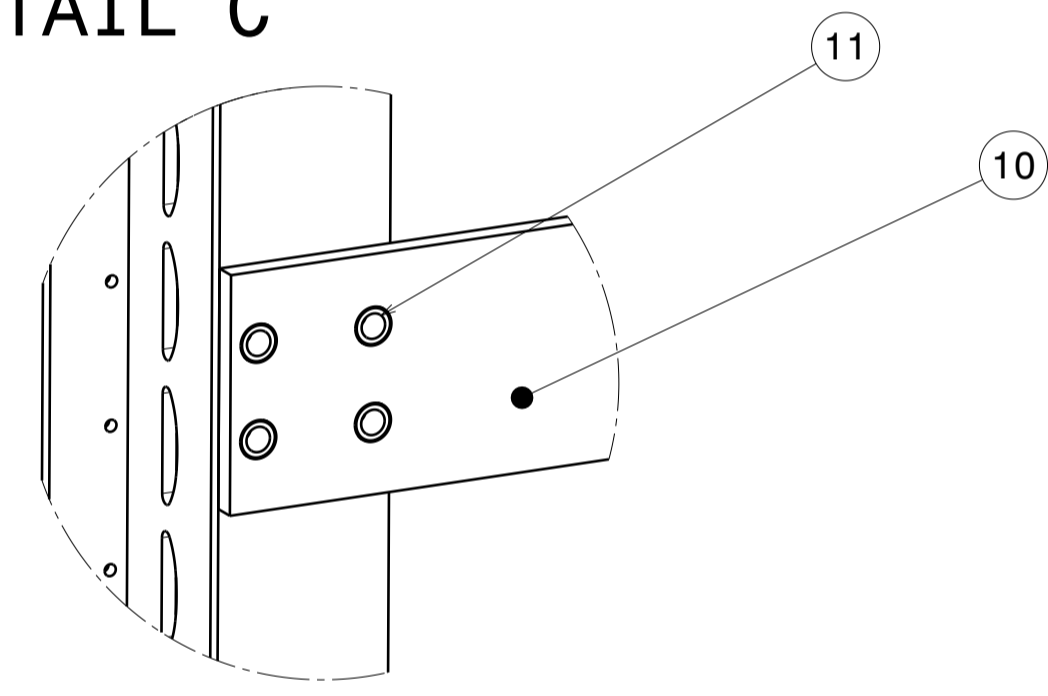


3rd Sub Module 2nd Sub Module 1st Sub module

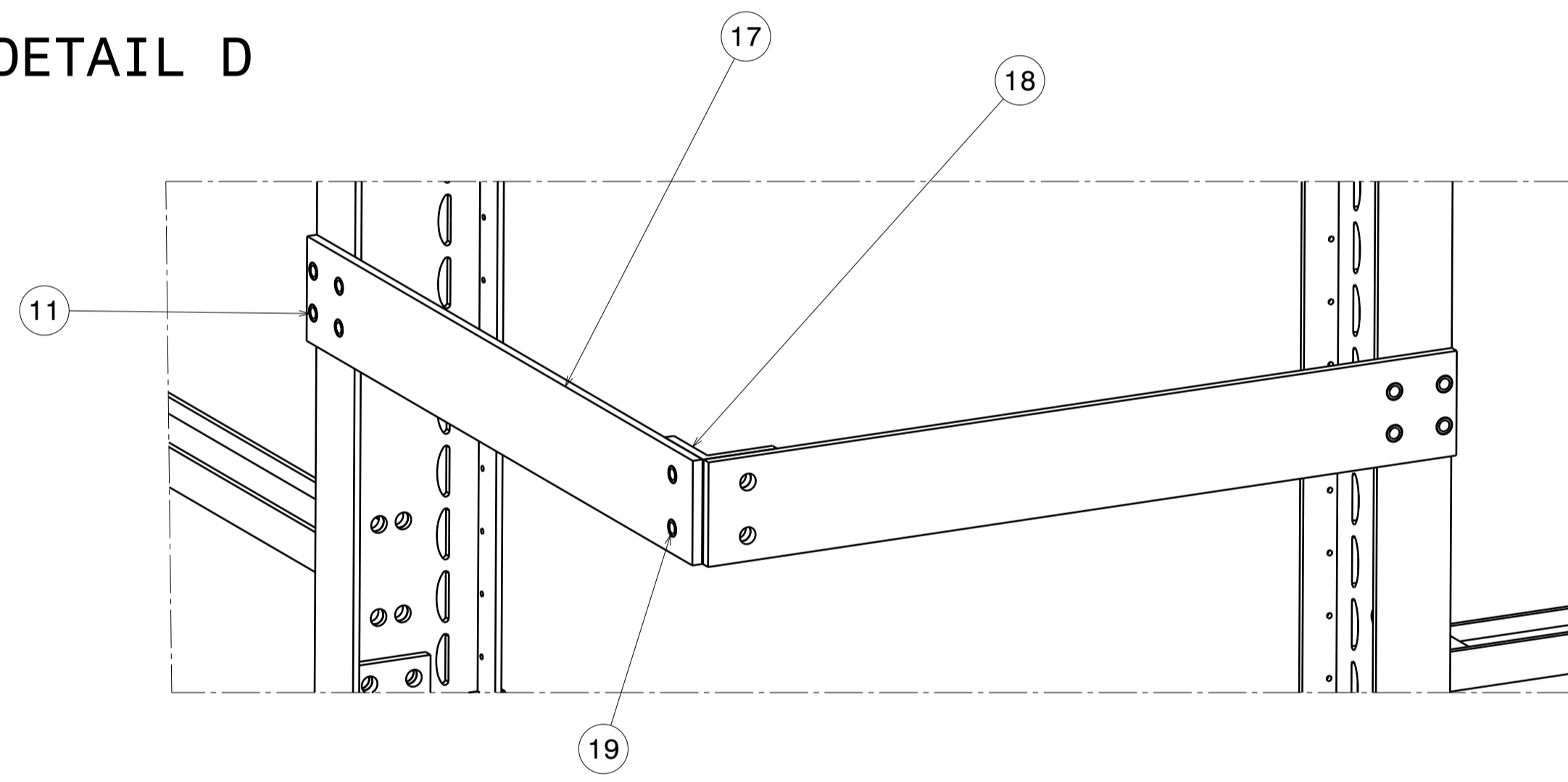
DETAIL A



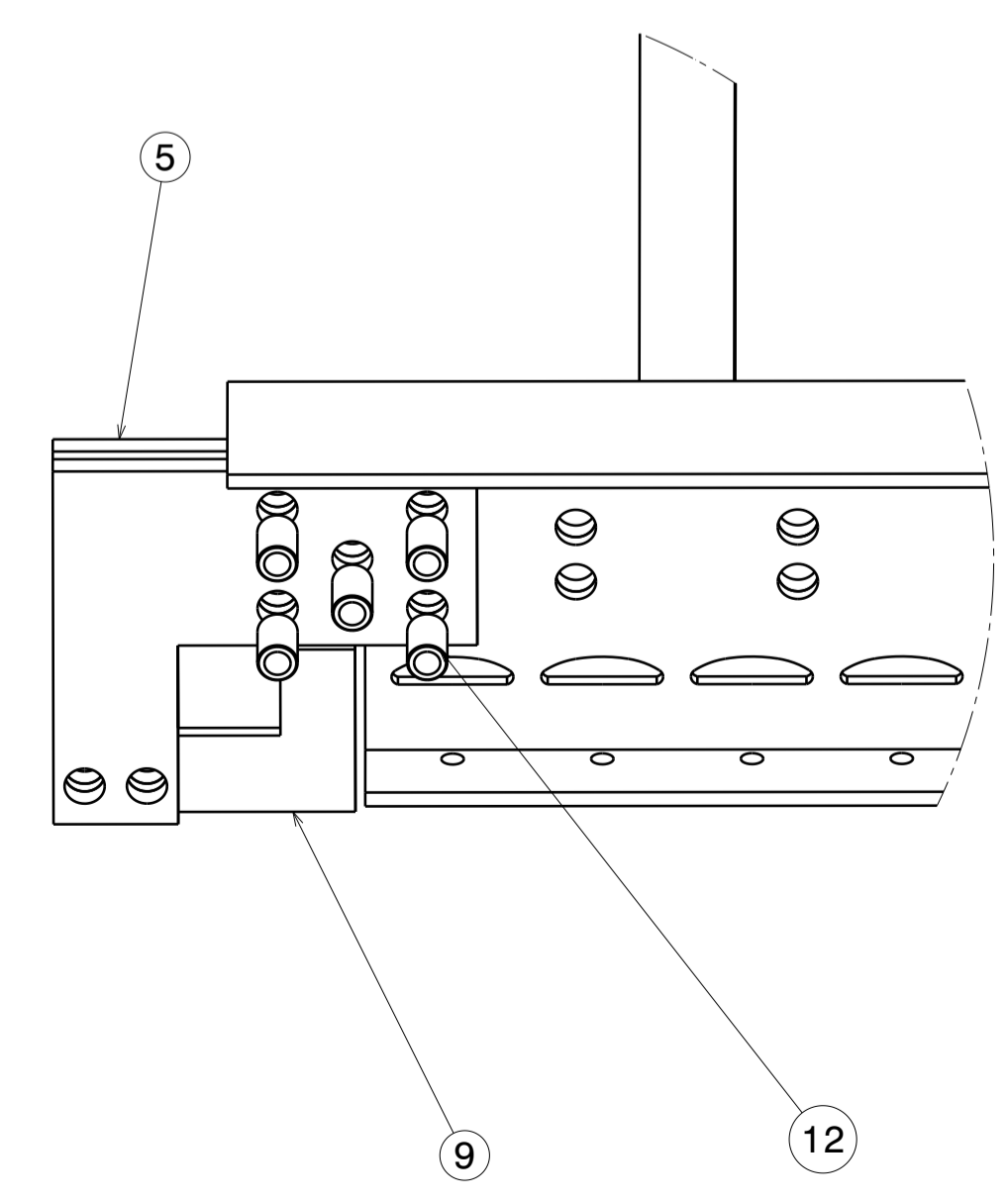
DETAIL C



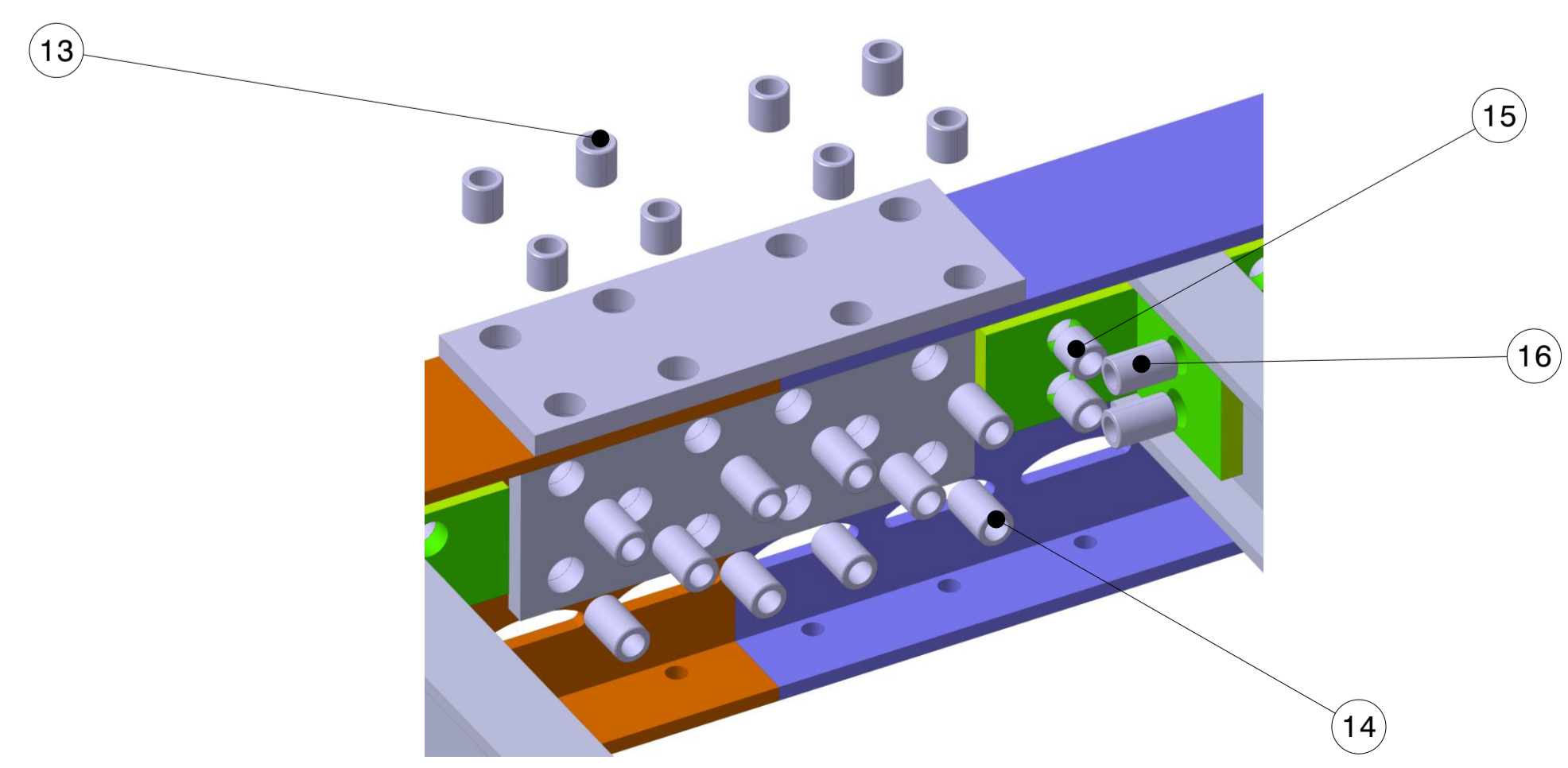
DETAIL D



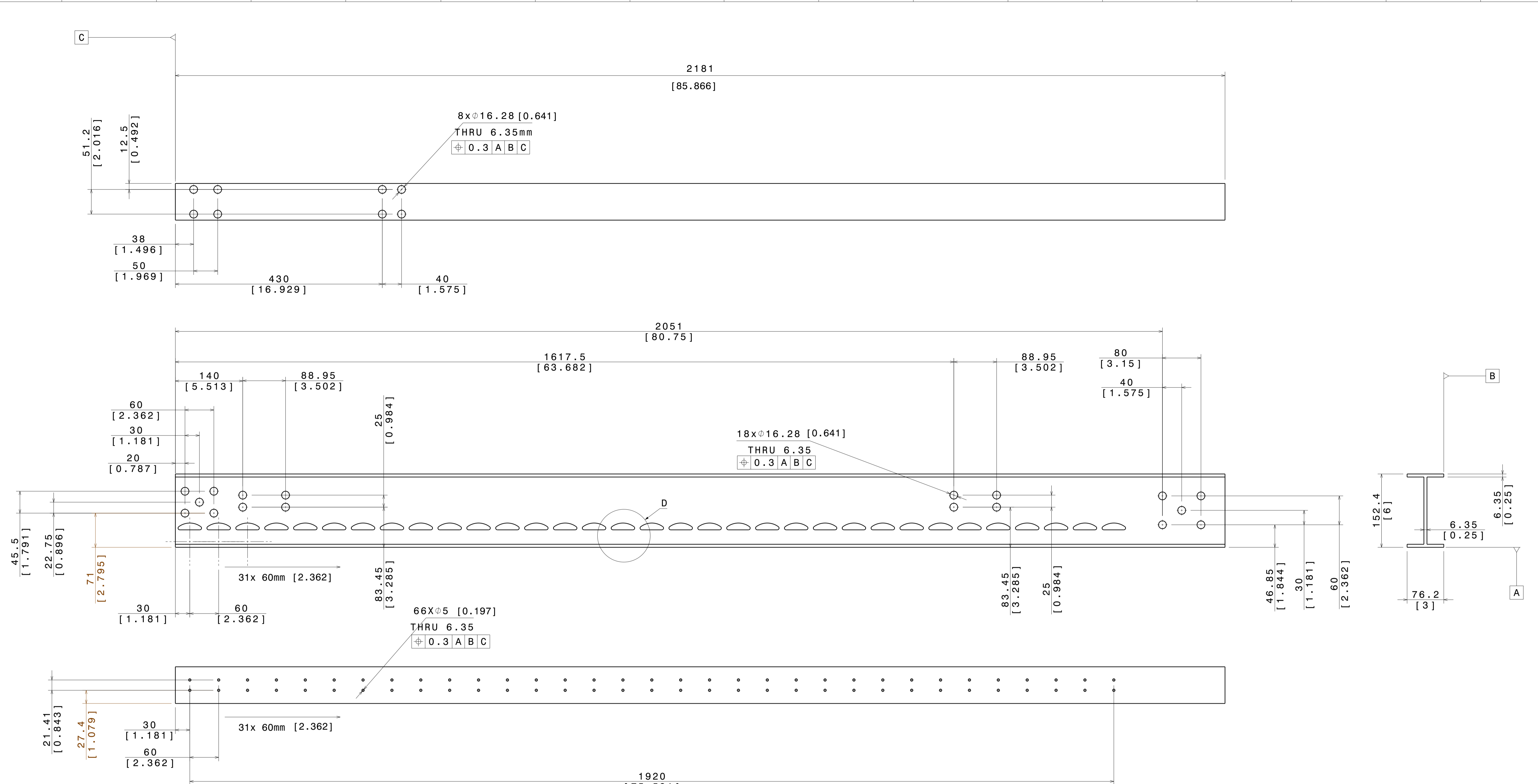
DETAIL B



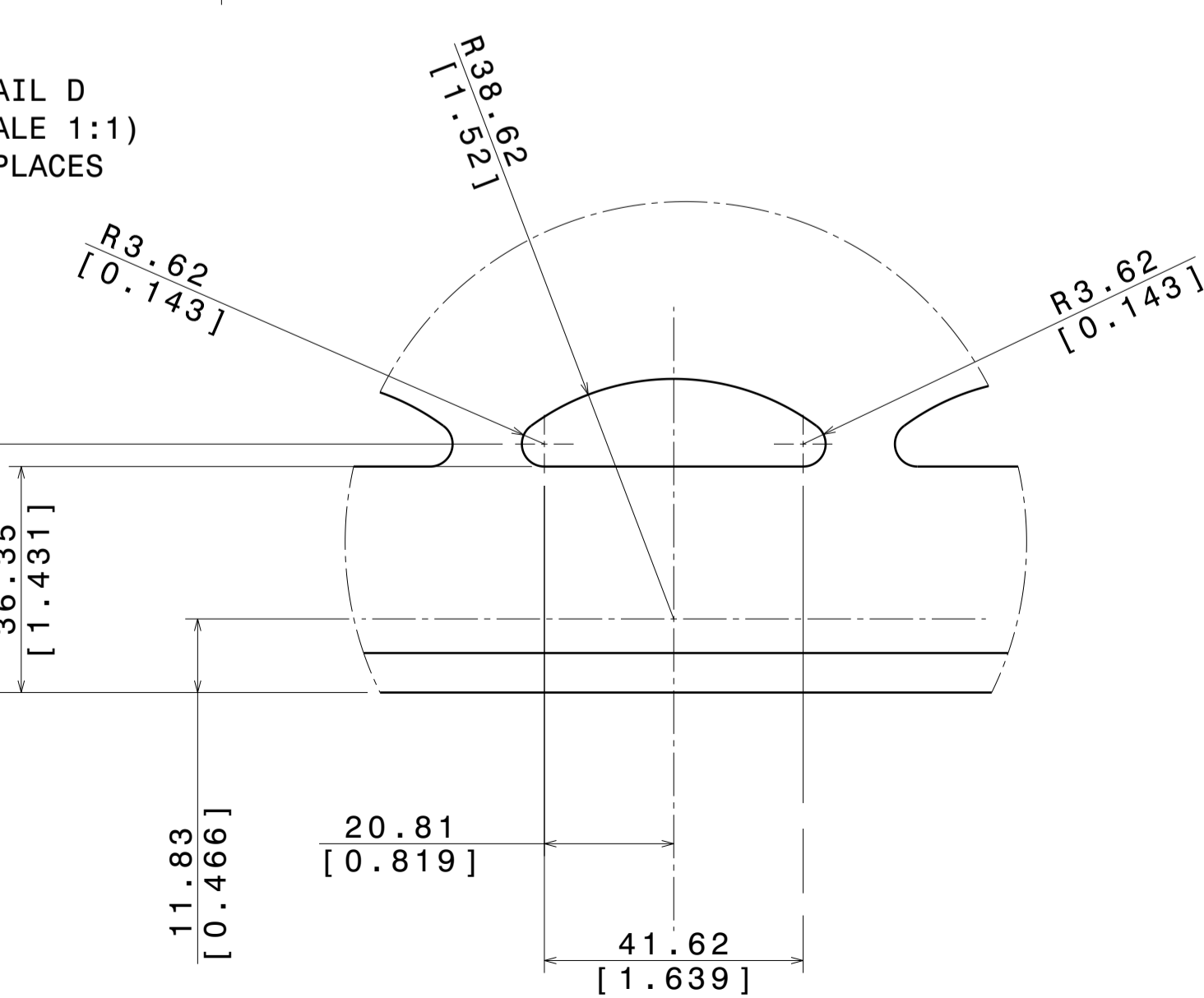
DETAIL A ISO View with Inserts



Pos	Part Name	Part Number	Material	QTY 8 Modules	QTY Tot. 1 Mod. Spare	Description
1	1st Sub Module Main Beam	DP-FC-002	FRP	16	18	6 Inch I-Beam
2	2nd Sub Module Main Beam	DP-FC-003	FRP	16	18	6 Inch I-Beam
3	3rd Sub Module Main Beam	DP-FC-004	FRP	16	18	6 Inch I-Beam
4	Fixing Plate Sub Modules 1	DP-FC-005	G10/FR4	32	36	
5	Fixing Plate Sub Modules 2	DP-FC-006	G10/FR4	64	72	
6	Cathode Fixing Plate	DP-FC-007	G10/FR4	32	36	
7	Horizontal Beam	DP-FC-008	FRP	48	54	3 Inch I-Beam
8	Horizontal Beam L-Profile	DP-FC-009	FRP	192	216	3x3x1/4 Inch L
9	Cathode Blocking Plate	DP-FC-010	G10/FR4	16	18	
10	Plate Between Modules	DP-FC-011	G10/FR4	12	15	
11	Insert for Modules Plate	DP-FC-012	G10/FR4	192	216	
12	Insert for Cathode Connection	DP-FC-013	G10/FR4	112	126	
13	Insert Sub Modules 1	DP-FC-014	G10/FR4	256	288	
14	Insert Sub Modules 2	DP-FC-015	G10/FR4	320	360	
15	Insert for L Short	DP-FC-016	G10/FR4	384	432	
16	Insert for L Long	DP-FC-017	G10/FR4	192	216	
17	Plate for FC Corner	DP-FC-018	G10/FR4	24	27	
18	L-Profile for FC Corner	DP-FC-019	FRP	12	15	3x3x1/4 Inch L
19	Insert for FC Corner	DP-FC-020	G10/FR4	48	54	
PermaBolt Rods and Nuts Lenght						
20	3/8"-16 Nuts		FRP		3375	
21	Threaded Rod 3/8-16	2.76 inch	FRP		975	
22	Threaded Rod 3/8-16	2.21 inch	FRP		720	



DETAIL D
(SCALE 1:1)
33 PLACES

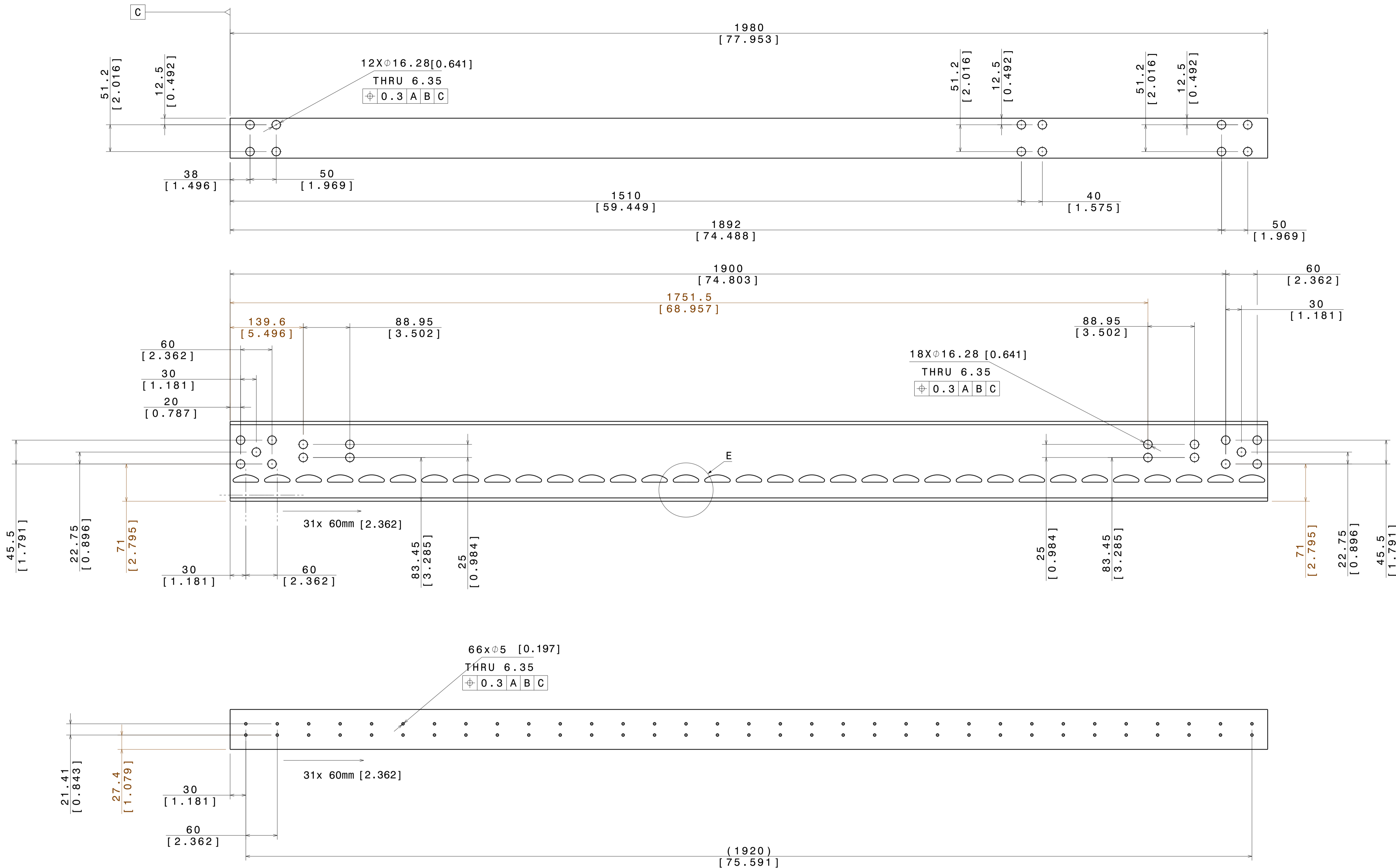


Pos	Part Name	Part Number	Material	Quantity	Description
1	1st Sub Module Main Beam	DP-FC-002	FRP	18	NOTES: 1-MATERIAL: 6 INCH x 3 INCH x 1/4 INCH FIBERGLASS FRP ANGLE 2-USE .6350 INCH REAMER

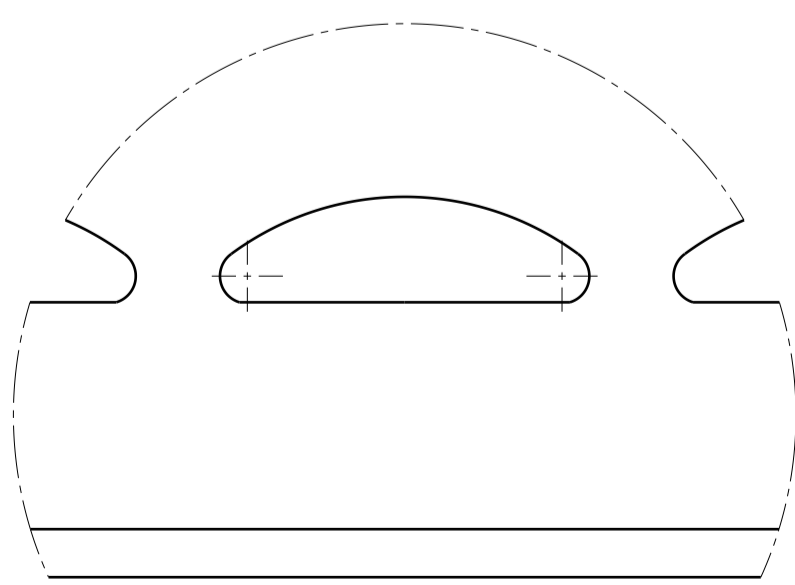
Main Unit --> mm
Second Unit --> [in]

UNLESS OTHERWISE SPECIFIED:
UNTOLERANCED DIMENSION ARE BASIC
VALUES QUERIED FROM 3-D DIGITAL
DATE FILE
⊕ 0.5 A B C

Project:	WA105	Scale:	1:4 (1:1)	Tot Pages:	20
Sub-Proj.:	DP Field Cage	Assembly:	Assembly Group Name	Page N°:	2
Created:	29.11.2016	Name:	Adamo Gendotti	From:	1 30 100 300 1000
Last Mod.:	DD.MM.YYYY	Name:		To:	6 30 100 300 1000 2000
Constructed:	DD.MM.YYYY	Name:		Tolerance:	±0.1 0.2 0.3 0.5 0.8 1.2
ETH zürich			1st Sub Module Main Beam		DP-FC-002



DETAIL E
 (SCALE 1:1)
 33 PLACES
 OSS: FOR GEOMETRY REFER TO DETAIL D -> DRAWING NR: DP-FC-002

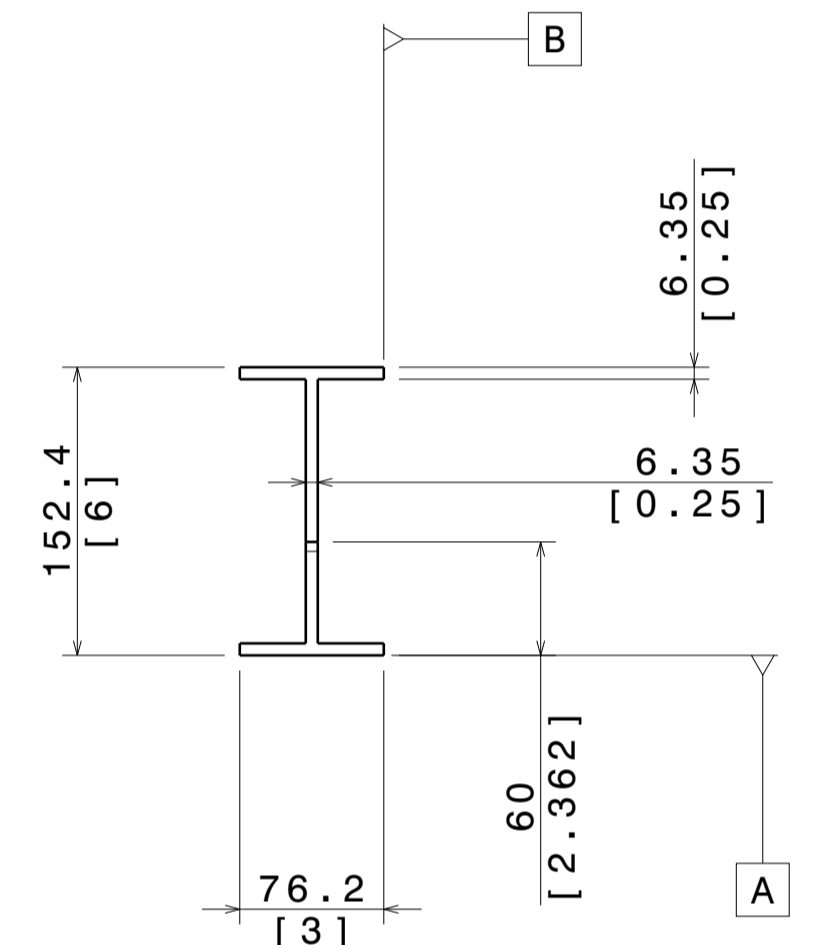
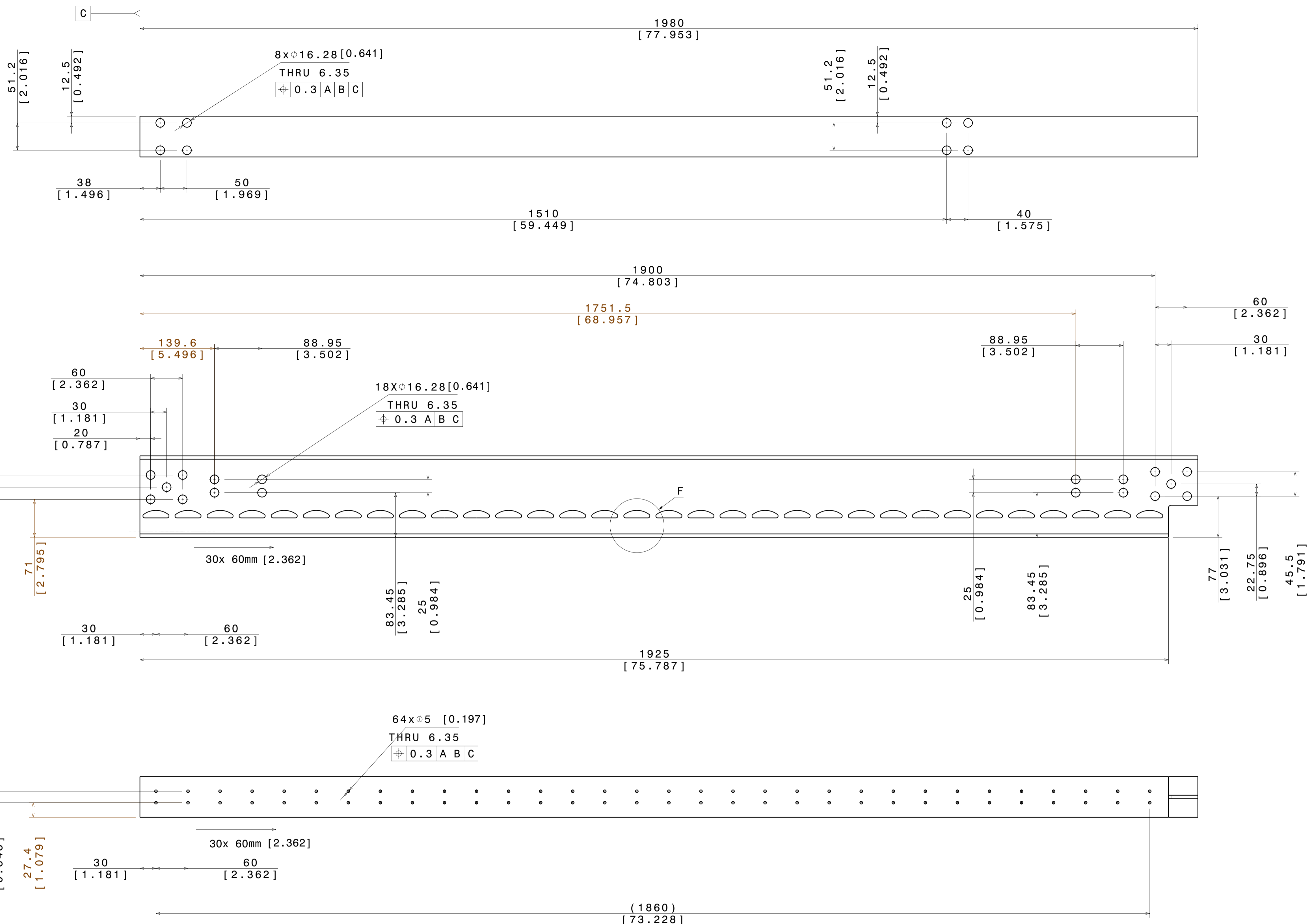


Pos	Part Name	Part Number	Material	Quantity	Description
2	2nd Sub Module Main Beam	DP-FC-003	FRP	18	NOTES: 1-MATERIAL: 6 INCH x 3 INCH x 1/4 INCH FIBERGLASS FRP ANGLE 2-USE .6350 INCH REAMER

Main Unit --> mm
 Second Unit --> [in]

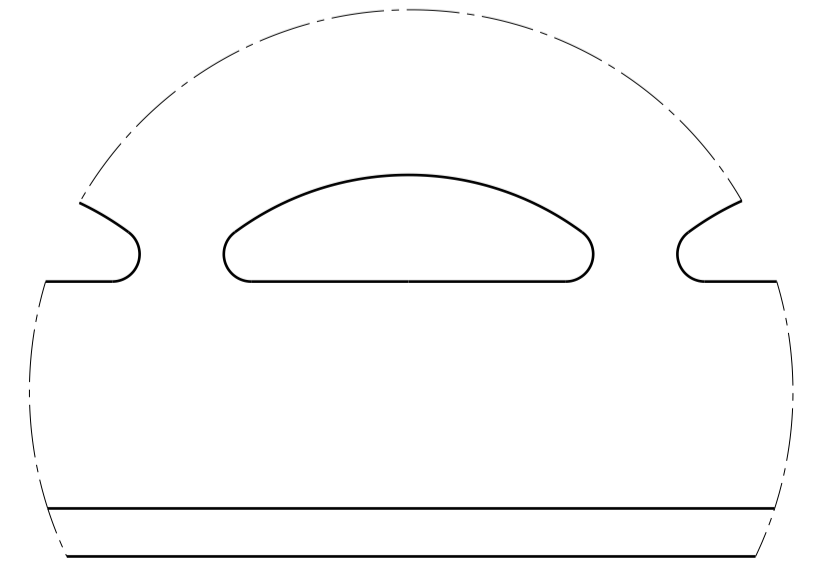
UNLESS OTHERWISE SPECIFIED:
 UNTOLERANCED DIMENSION ARE BASIC
 VALUES QUERIED FROM 3-D DIGITAL
 DATE FILE
 ☐ 0.5 | A | B | C

Project:	WA105	Scale:	1:4 (1:1)	Tot Pages:	20
Sub-Proj.:	DP Field Cage	Assembly:	Assembly Group Name	Page N°:	3
Created:	29.11.2016	Name:	Adamo Gendotti	From:	1 30 100 300 1000
Last Mod.:	DD.MM.YYYY	Name:		To:	6 30 100 300 1000 2000
Constructed:	DD.MM.YYYY	Name:		Tolerance:	±0.1 0.2 0.3 0.5 0.8 1.2
ETH zürich			2nd Sub Module Main Beam		DP-FC-003



DETAIL E
(SCALE 1:1)
32 PLACES

OSS: FOR GEOMETRY REFER TO DETAIL D -> DRAWING NR: DP-FC-002



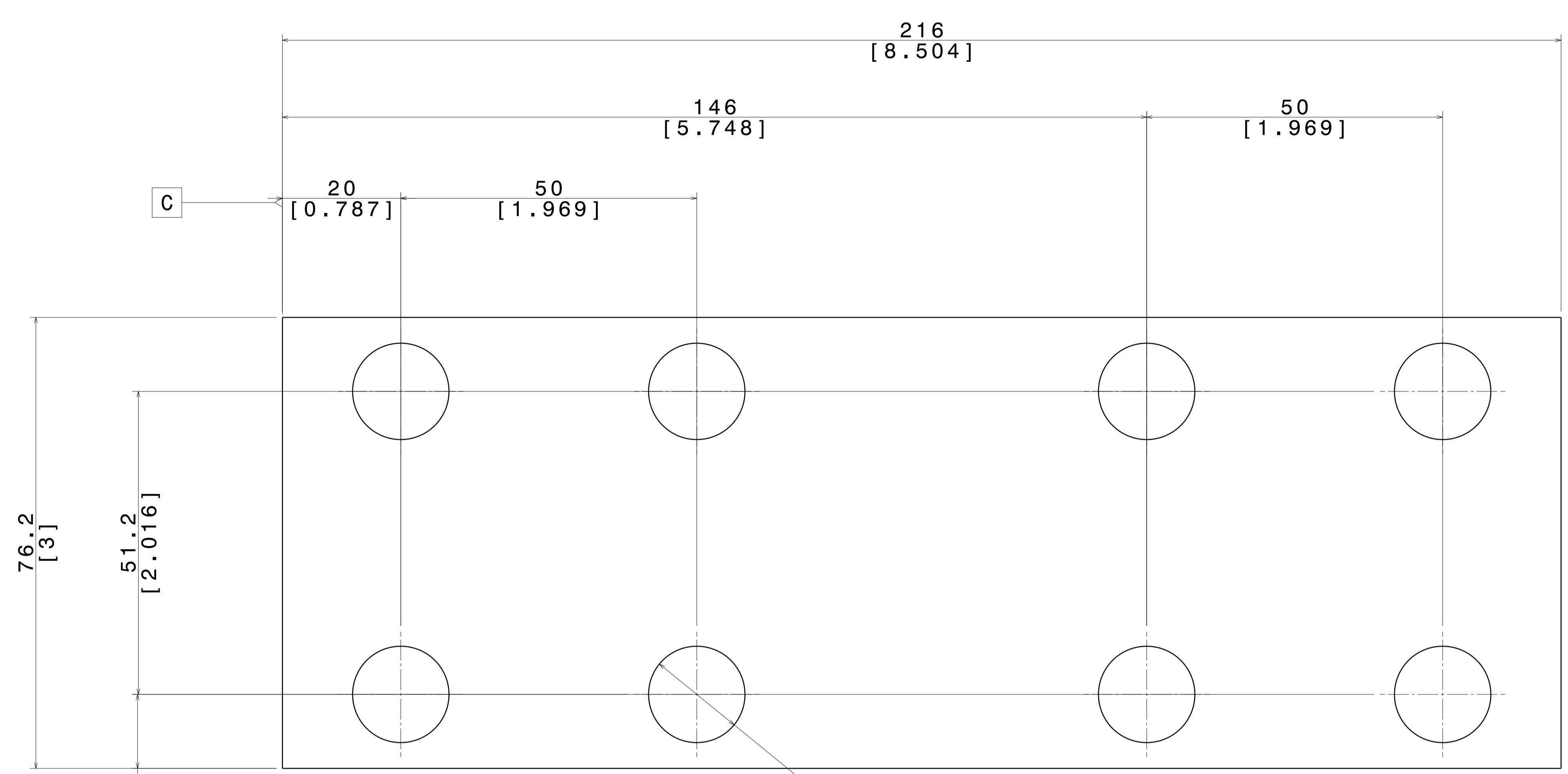
Pos	Part Name	Part Number	Material	Quantity	Description
3	3rd Sub Module Main Beam	DP-FC-004	FRP	18	NOTES: 1-MATERIAL: 6 INCH x 3 INCH x 1/4 INCH FIBERGLASS FRP ANGLE 2-USE .6350 INCH REAMER

Main Unit --> mm
Second Unit --> [in]

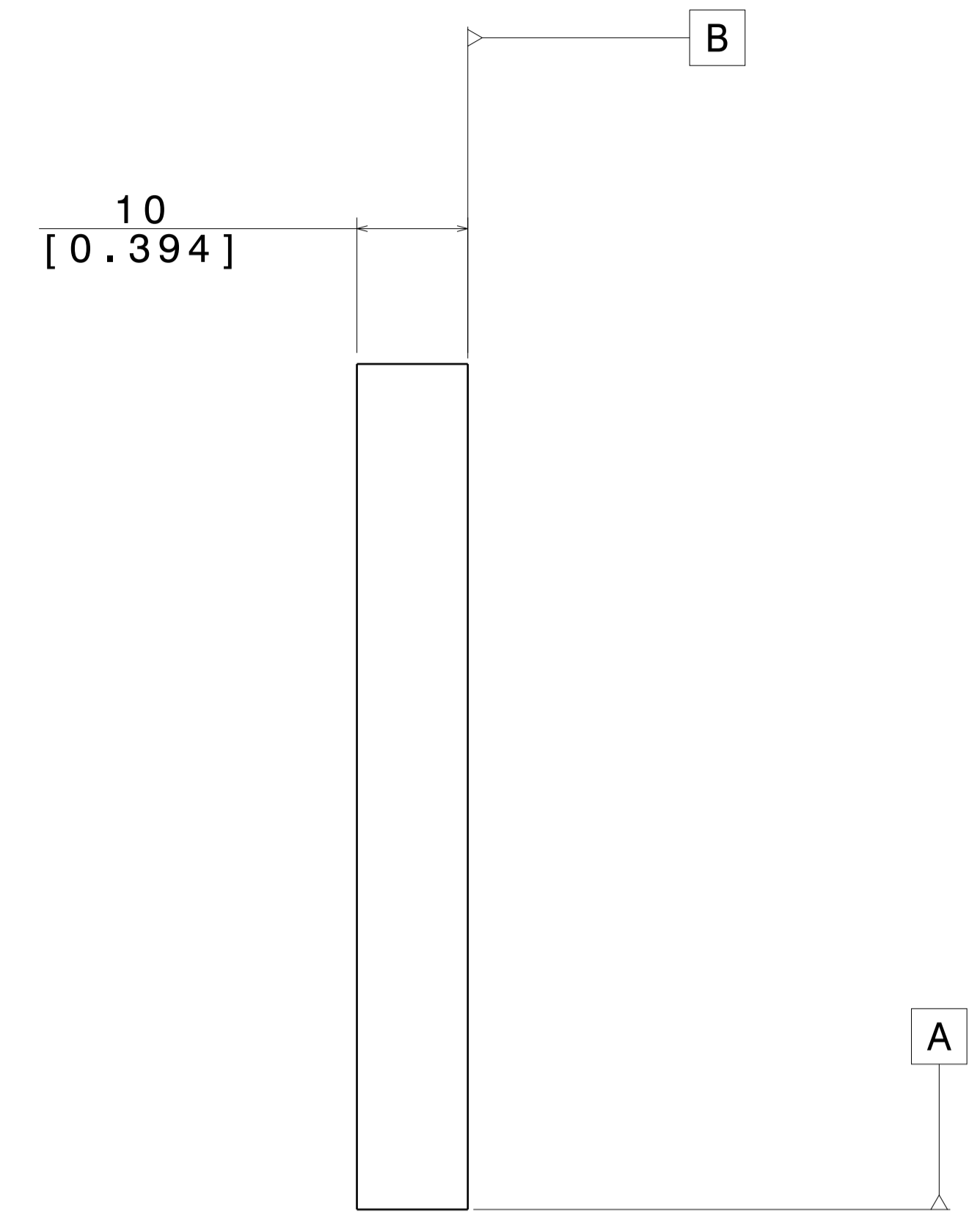
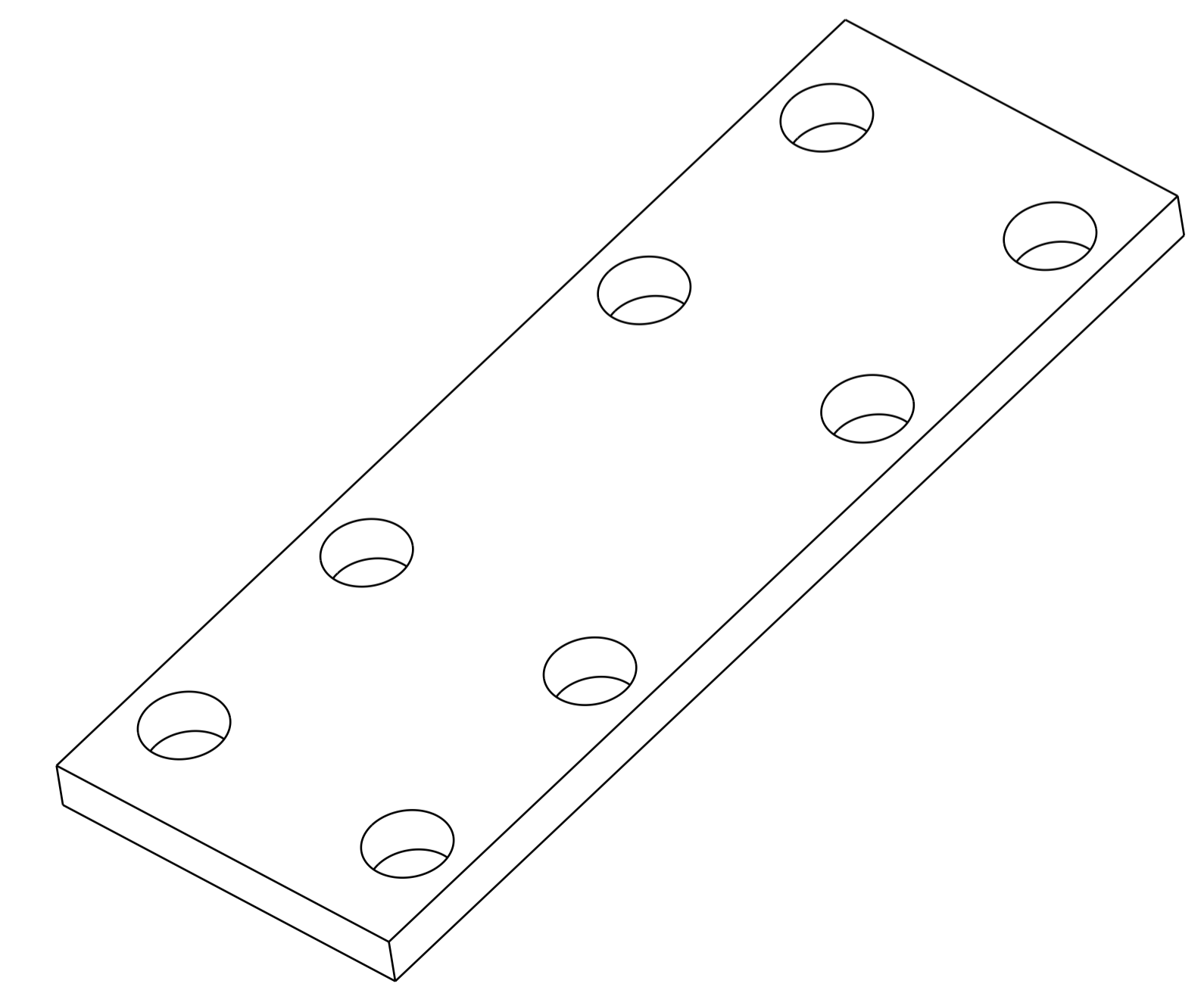
UNLESS OTHERWISE SPECIFIED:
UNTOLERANCED DIMENSION ARE BASIC
VALUES QUERIED FROM 3-D DIGITAL
DATE FILE
⊕ 0.5 A B C

Project:	WA105	Scale:	1:4 (1:1)	Tot Pages:	20
Sub-Proj.:	DP Field Cage	Assembly:	Assembly Group Name	Page N°:	4
Created:	29.11.2016 Adamo Gendotti	Dimensions:	From 1 6 30 100 300 1000		
Last Mod.:	DD.MM.YYYY Name	Tolerance:	±0.1 0.2 0.3 0.5 0.8 1.2		
Constructed:	DD.MM.YYYY Name				
ETH zürich			3rd Sub Module Main Beam		DP-FC-004

A B C D E F G H I L M N O P Q R S



8X ϕ 16.28 [0.641]
 THRU
 ϕ 0.3 | A | B | C

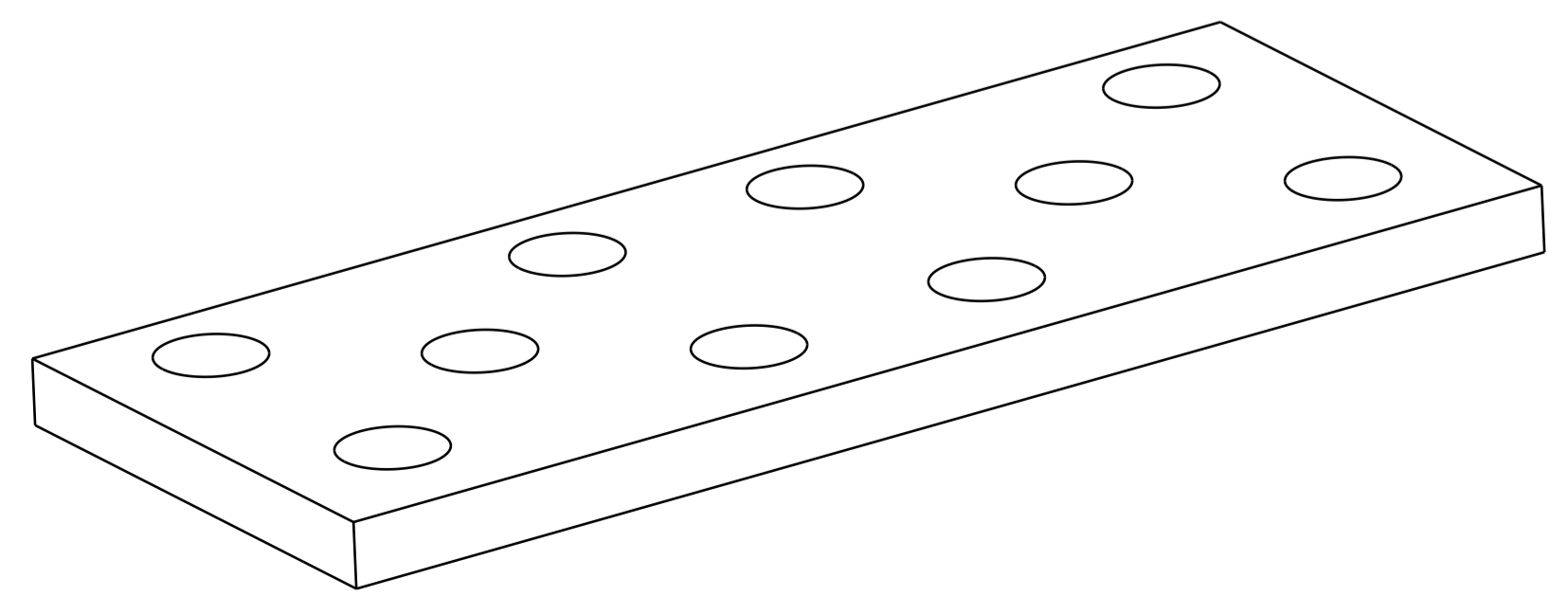
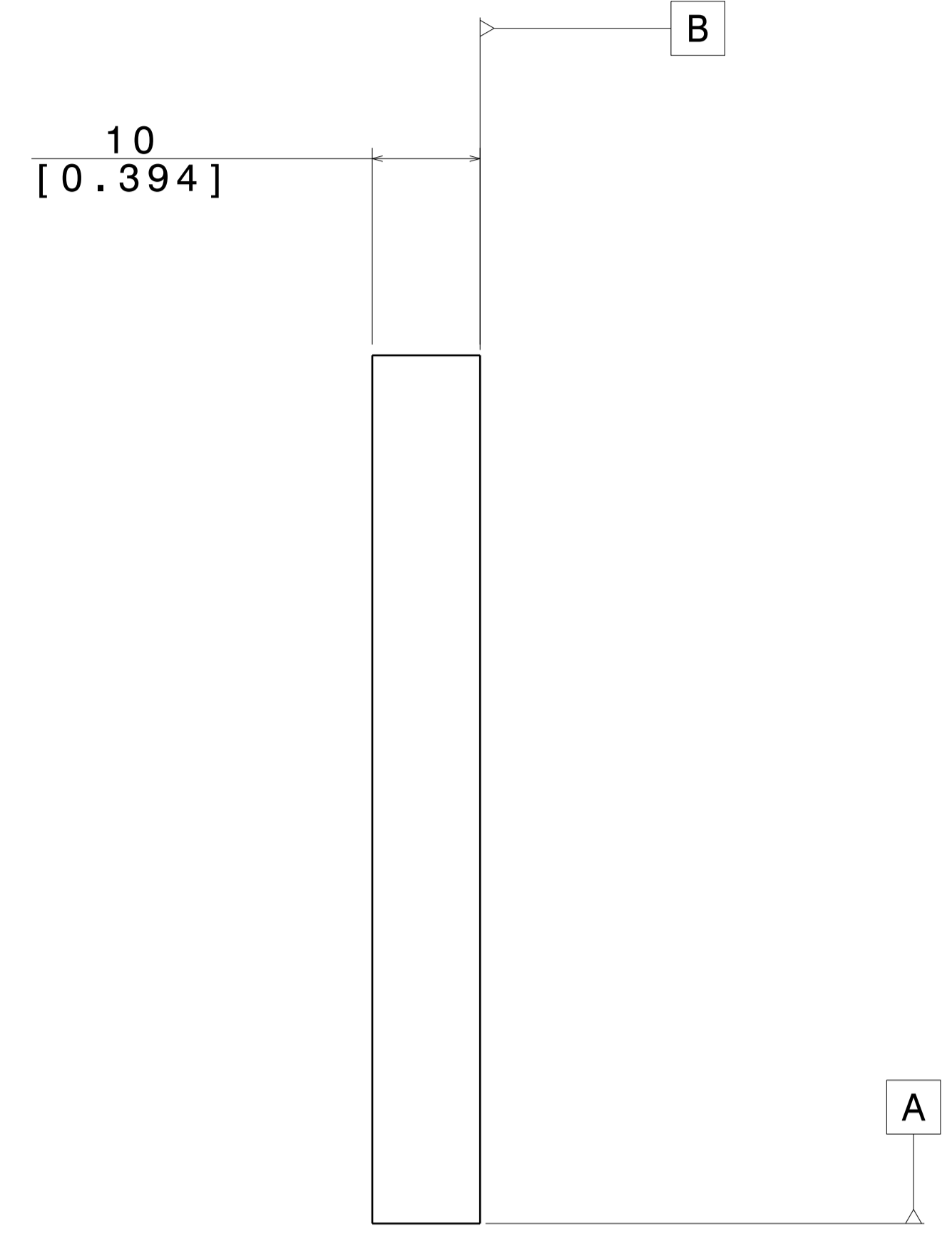
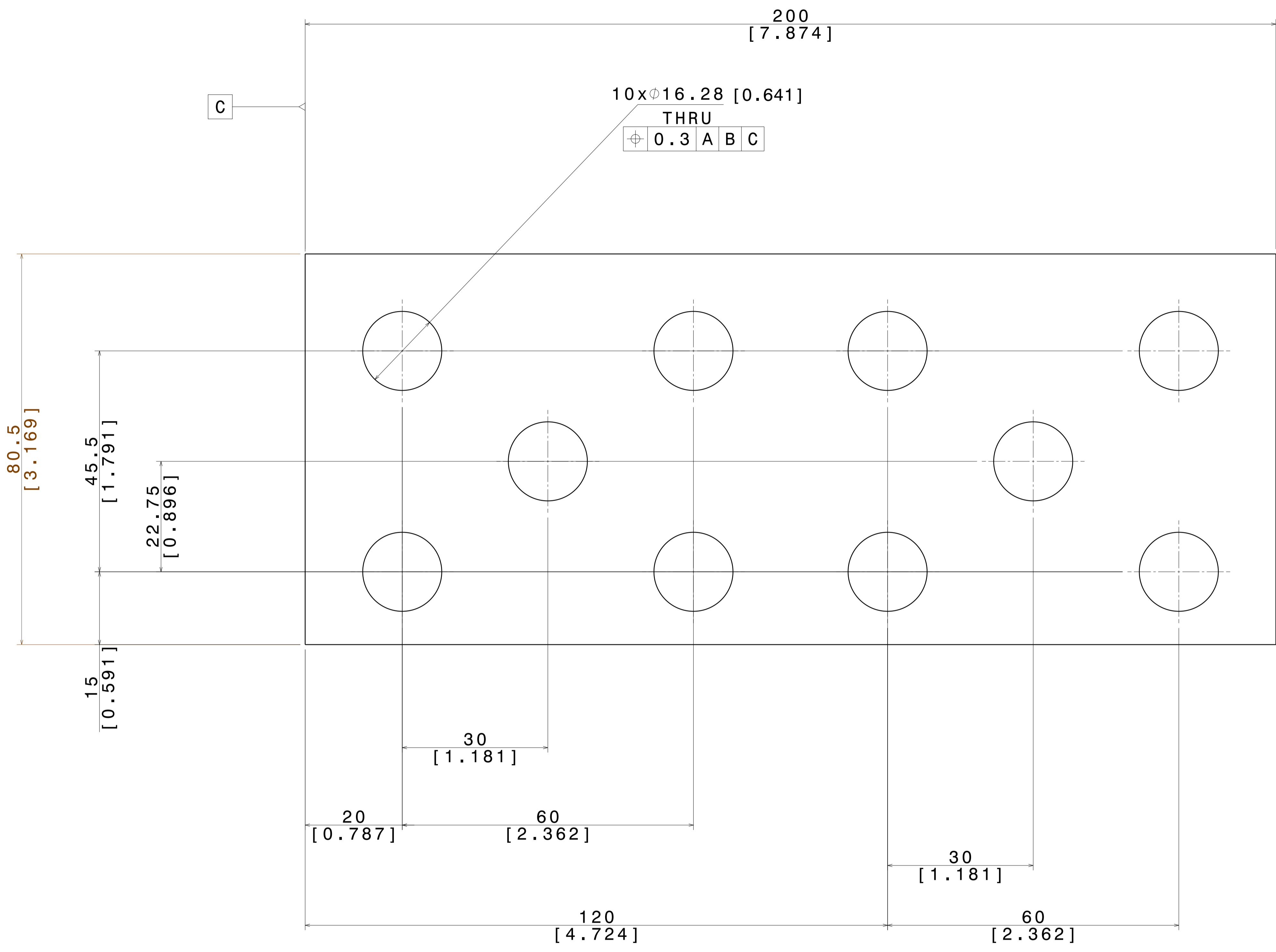


Main Unit --> mm
 Second Unit --> [in]

UNLESS OTHERWISE SPECIFIED:
 UNTOLERANCED DIMENSION ARE BASIC
 VALUES QUERIED FROM 3-D DIGITAL
 DATE FILE
 \square 0.5 | A | B | C

Pos	Part Name	Part Number	Material	Quantity	Description
4	Fixing Plate Sub Modules 1	DP-FC-005	G10/FR4	36	

Project:	WA105	Scale:	2:1	Tot Pages:	20
Sub-Proj.:	DP Field Cage	Assembly:	Assembly Group Name	Page N°:	5
Created:	29.11.2016 Adamo Gendotti	Dimensions:	From 1 6 30 100 300 1000		
Last Mod.:	DD.MM.YYYY Name	To:	6 30 100 300 1000 2000		
Constructed:	DD.MM.YYYY Name	Tolerance:	±0.1 0.2 0.3 0.5 0.8 1.2		
ETH zürich			Fixing Plate Sub Modules 1		DP-FC-005

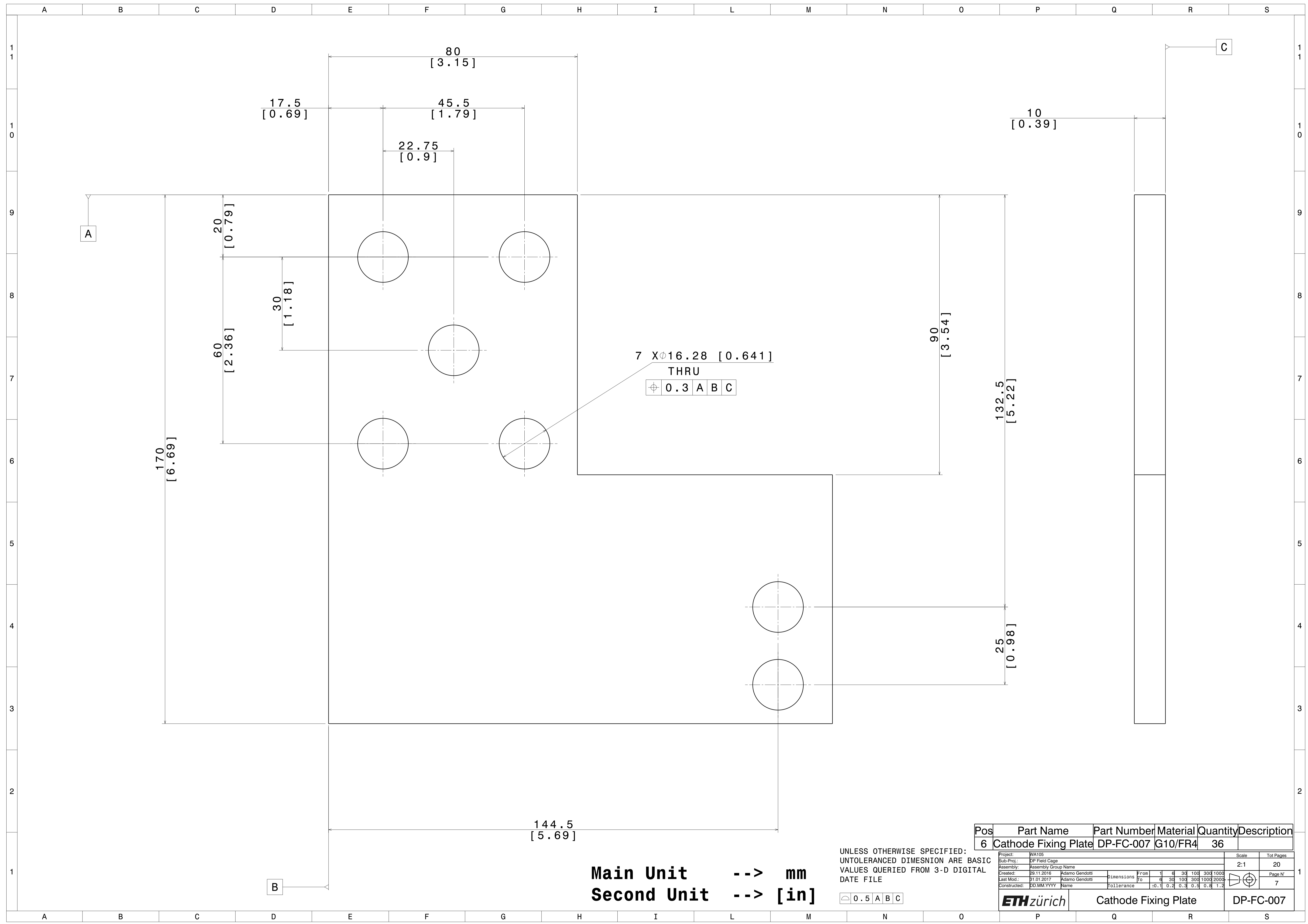


Main Unit --> **mm**
Second Unit --> **[in]**

UNLESS OTHERWISE SPECIFIED:
 UNTOLERANCED DIMENSION ARE BASIC
 VALUES QUERIED FROM 3-D DIGITAL
 DATE FILE
 0.5 A B C

Pos	Part Name	Part Number	Material	Quantity	Description
5	Fixing Plate Sub Modules 2	DP-FC-006	G10/FR4	72	

Project:	WA105	Scale:	2:1	Tot Pages:	20
Sub-Proj.:	DP Field Cage	Created:	29.11.2016	From:	1 4 30 100 300 1000
Assembly:	Assembly Group Name	Last Mod.:	DD.MM.YYYY	To:	6 30 100 300 1000 2000
	Adamo Gendotti	Name:		Constructed:	DD.MM.YYYY
		Name:		Tolerance:	+0.1 0.2 0.3 0.4 0.8 1.2
ETH zürich			Fixing Plate Sub Modules 2		DP-FC-006



170
[6.69]

60
[2.36]

20
[0.79]

30
[1.18]

17.5
[0.69]

80
[3.15]

45.5
[1.79]

22.75
[0.9]

7 X Ø16.28 [0.641]
THRU
⊕ 0.3 A B C

90
[3.54]

132.5
[5.22]

25
[0.98]

10
[0.39]

144.5
[5.69]

Main Unit --> mm
Second Unit --> [in]

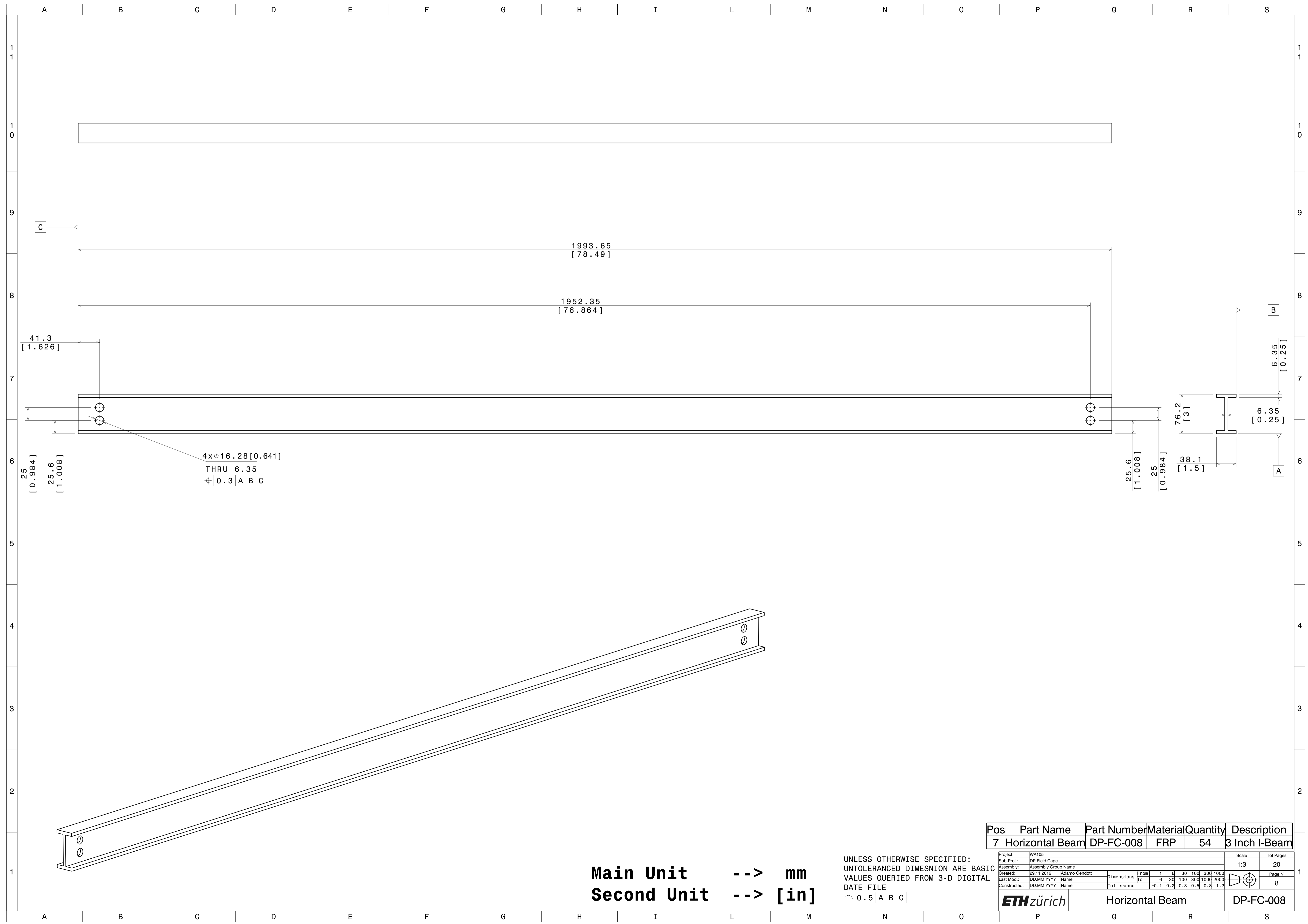
UNLESS OTHERWISE SPECIFIED:
UNTOLERANCED DIMENSION ARE BASIC
VALUES QUERIED FROM 3-D DIGITAL
DATE FILE

⊕ 0.5 A B C

Pos	Part Name	Part Number	Material	Quantity	Description
6	Cathode Fixing Plate	DP-FC-007	G10/FR4	36	

Project:	WA105	Scale:	2:1	Tot Pages:	20
Sub-Proj.:	DP Field Cage	Assembly:	Assembly Group Name	Created:	29.11.2016
Created:	29.11.2016	Adamo Gendotti	Dimensions	From	1 6 30 100 300 1000
Last Mod.:	31.01.2017	Adamo Gendotti	To	6 30 100 300 1000 2000	
Constructed:	DD.MM.YYYY	Name	Tolerance	±0.1 0.2 0.3 0.5 0.8 1.2	

ETH zürich	Cathode Fixing Plate	DP-FC-007
-------------------	----------------------	-----------



C

1993.65
[78.49]

1952.35
[76.864]

41.3
[1.626]

25
[0.984]
25.6
[1.008]

4xØ16.28[0.641]
THRU 6.35
⊕ 0.3 A B C

25.6
[1.008]
25
[0.984]

76.2
[3]
38.1
[1.5]

6.35
[0.25]
6.35
[0.25]

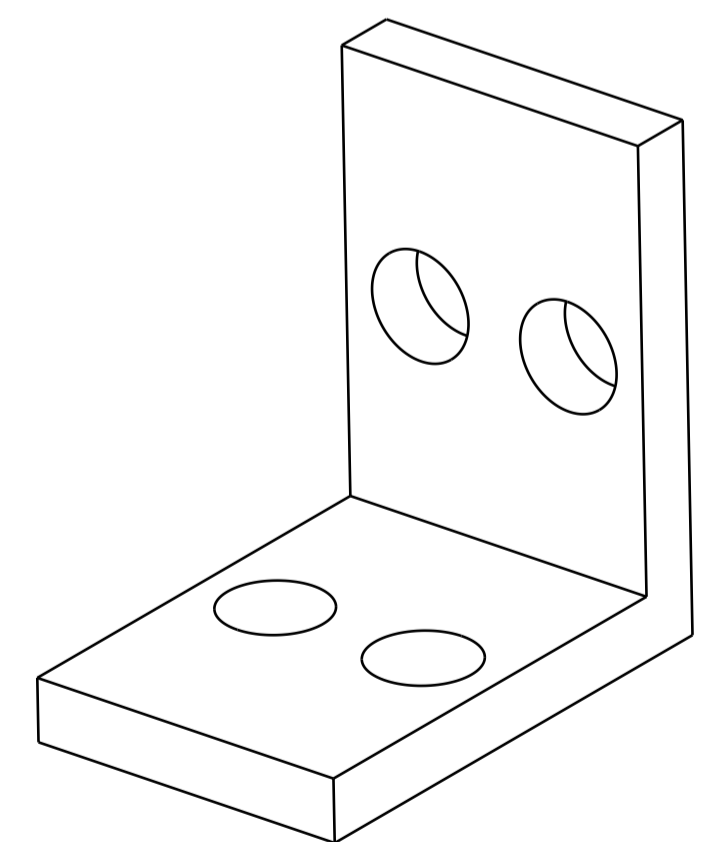
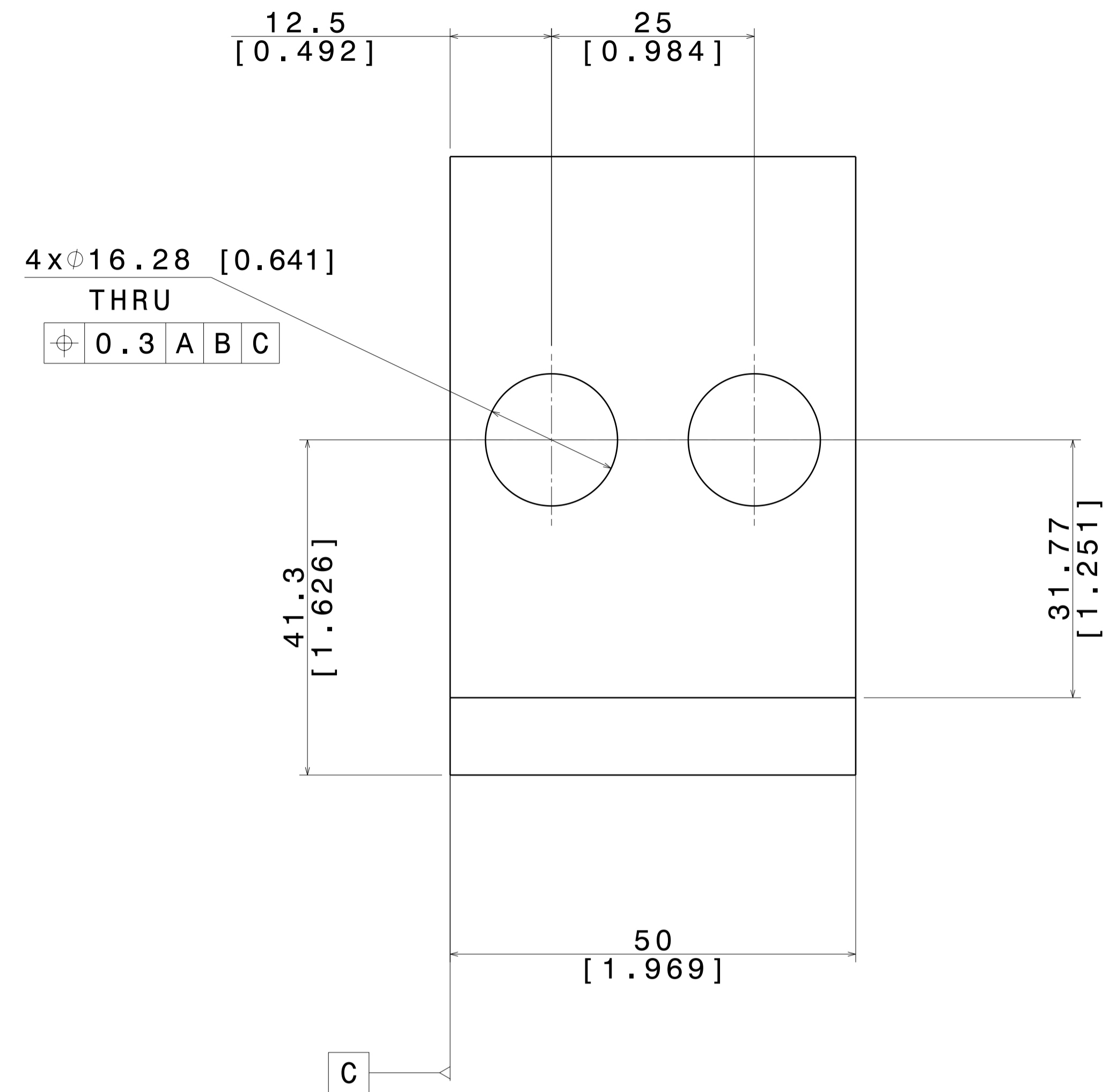
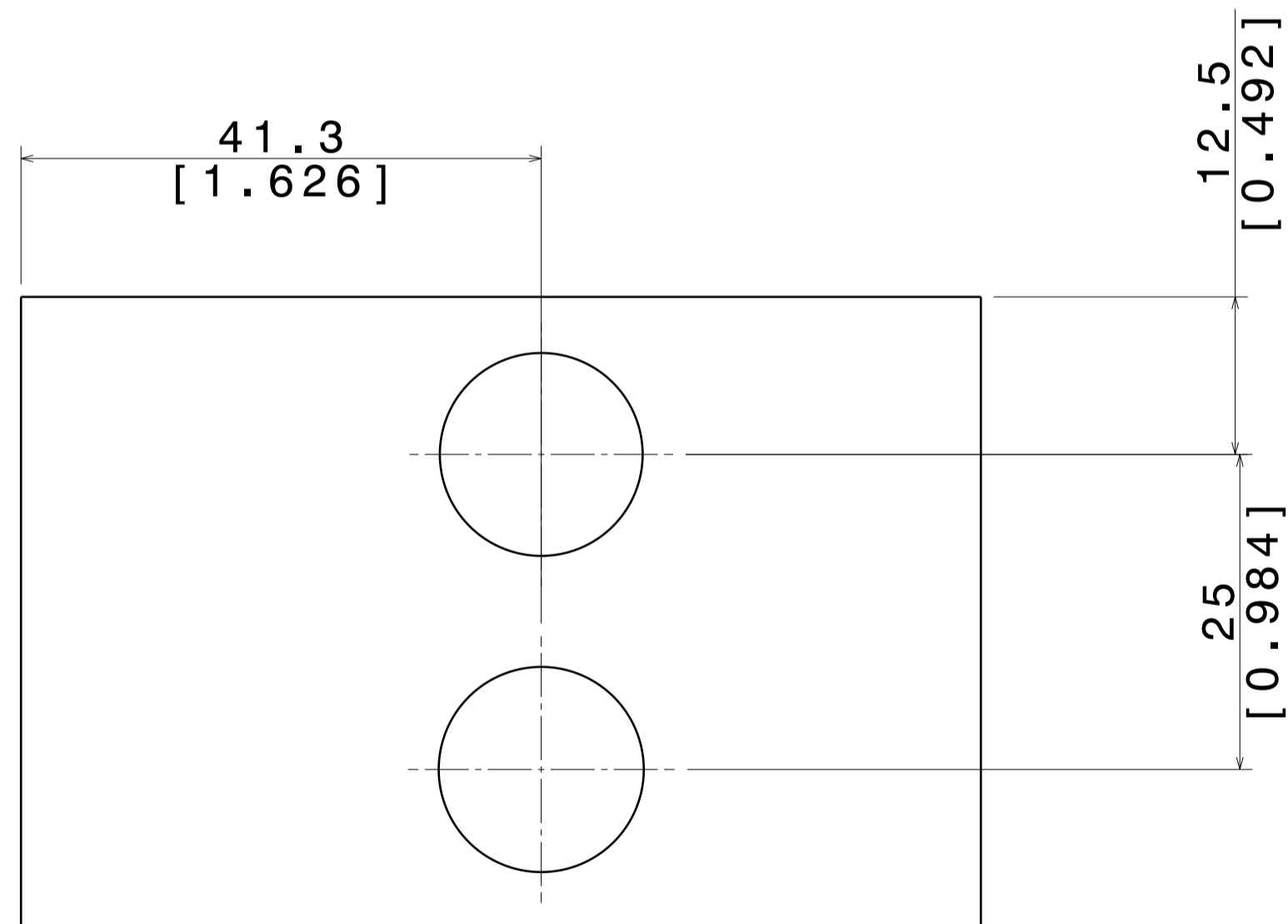
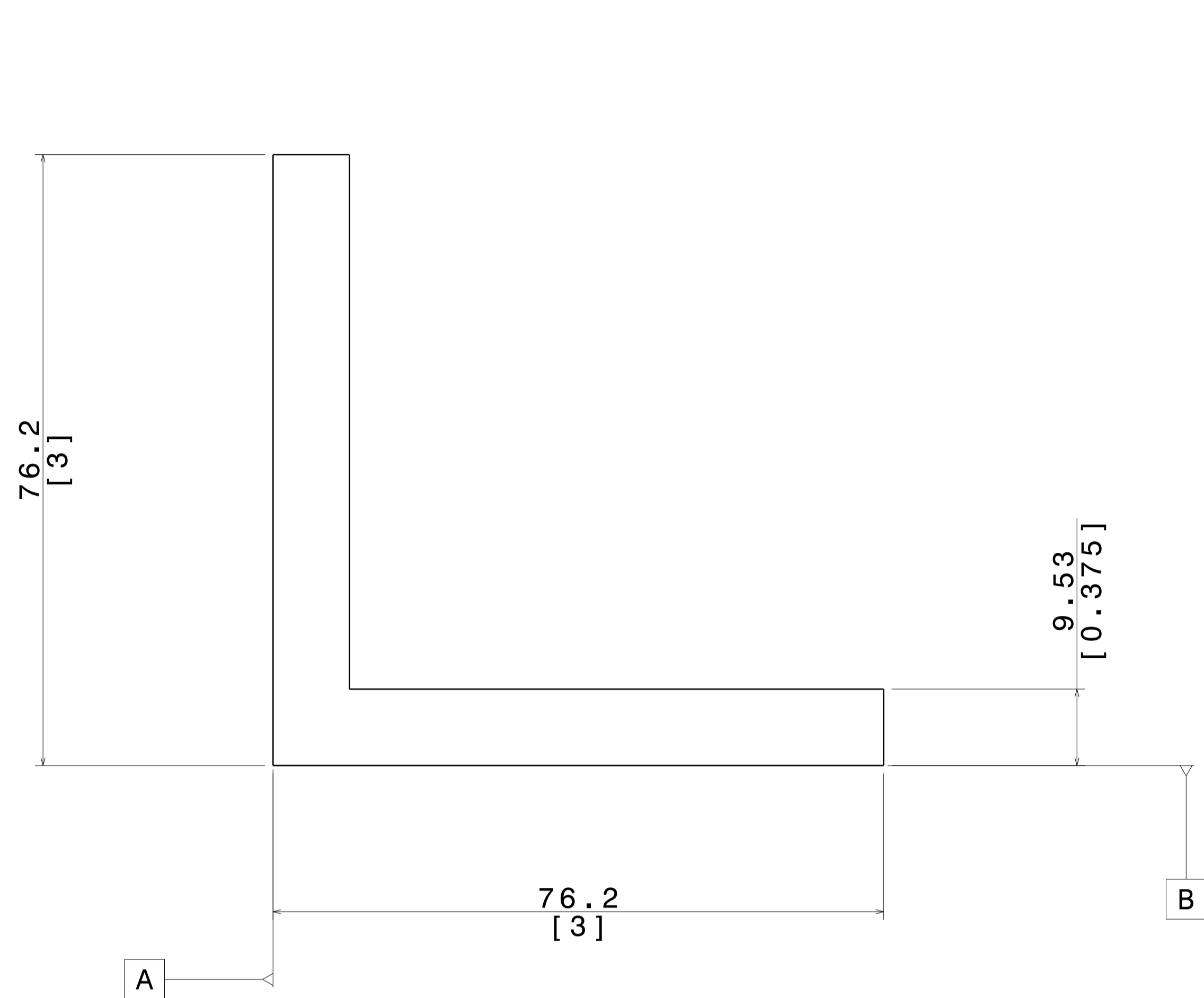
Main Unit --> mm
Second Unit --> [in]

UNLESS OTHERWISE SPECIFIED:
UNTOLERANCED DIMENSION ARE BASIC
VALUES QUERIED FROM 3-D DIGITAL
DATE FILE
△ 0.5 A B C

Pos	Part Name	Part Number	Material	Quantity	Description
7	Horizontal Beam	DP-FC-008	FRP	54	3 Inch I-Beam

Project:	WA105	Scale:	1:3	Total Pages:	20
Sub-Proj.:	DP Field Cage	Assembly:	Assembly Group Name	Page N°:	8
Created:	29.11.2016	Name:	Adamo Gendotti	From:	1 6 30 100 300 1000
Last Mod.:	DD.MM.YYYY	Name:		To:	6 30 100 300 1000 2000
Constructed:	DD.MM.YYYY	Name:		Tolerance:	±0.1 0.2 0.3 0.5 0.8 1.2

ETH zürich	Horizontal Beam	DP-FC-008
-------------------	-----------------	-----------



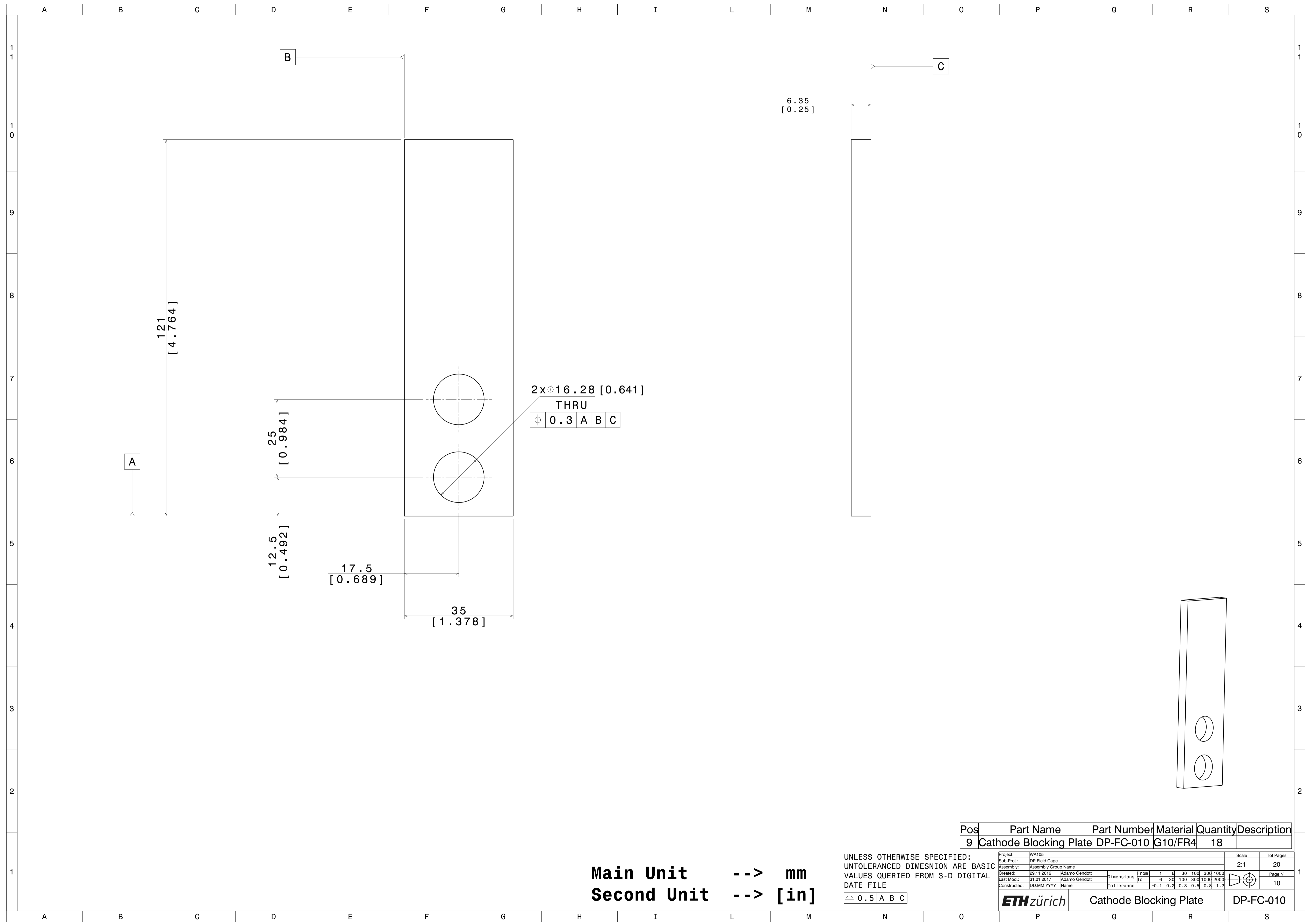
Pos	Part Name	Part Number	Material	Quantity	Description
8	Horizontal Beam L-Profile	DP-FC-009	FRP	216	NOTES: 1-MATERIAL: 3 INCH x 3 INCH x 1/4 INCH FIBERGLASS FRP ANGLE 2-USE .6350 INCH REAMER

Main Unit --> mm
Second Unit --> [in]

UNLESS OTHERWISE SPECIFIED:
UNTOLERANCED DIMENSION ARE BASIC
VALUES QUERIED FROM 3-D DIGITAL
DATE FILE

0.5 A B C

Project:	WA105	Scale:	2:1	Tot Pages:	20
Sub-Proj.:	DP Field Cage	Assembly:	Assembly Group Name	Created:	29.11.2016
Created:	29.11.2016	Name:	Adamo Gendotti	Dimensions:	From 1 6 30 100 300 1000
Last Mod.:	DD.MM.YYYY	Name:		To:	6 30 100 300 1000 2000
Constructed:	DD.MM.YYYY	Name:		Tolerance:	+0.1 0.2 0.3 0.5 0.8 1.2
ETH zürich			Horizontal Beam L-Profile		DP-FC-009



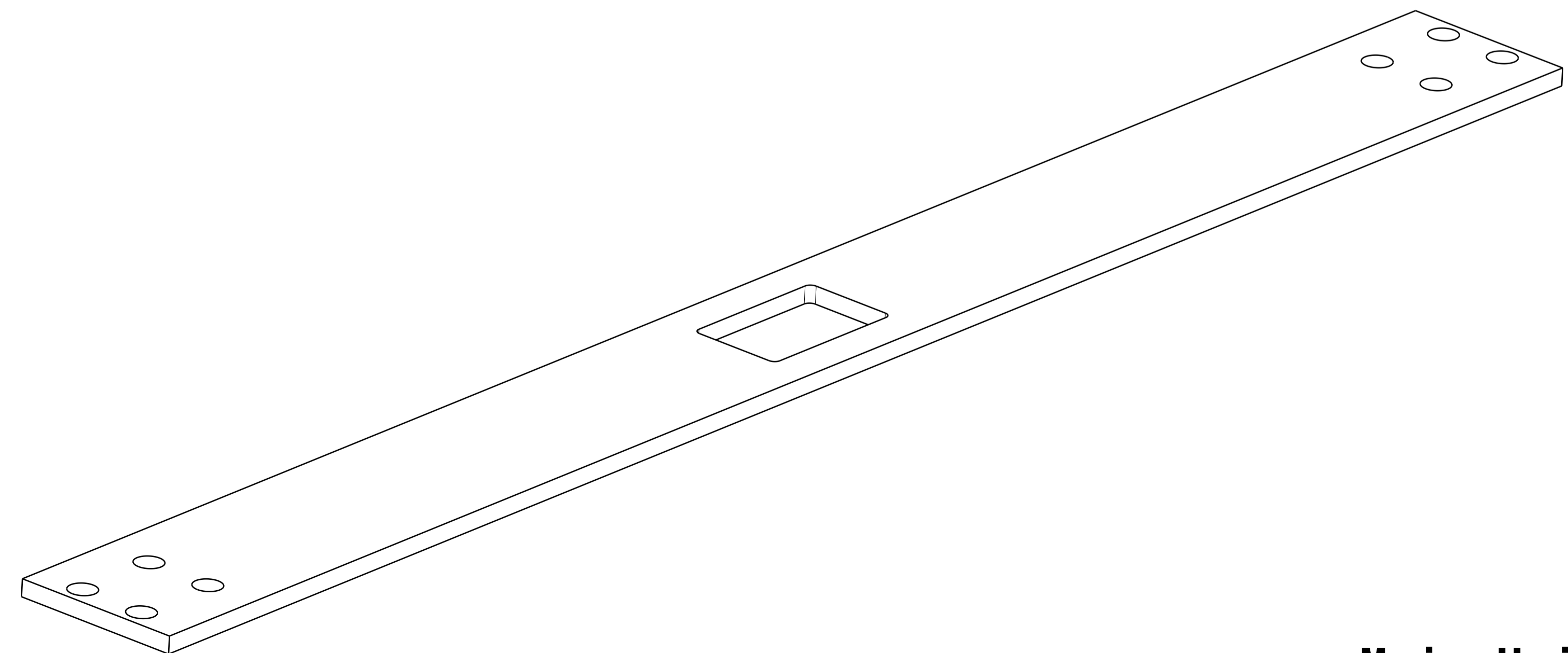
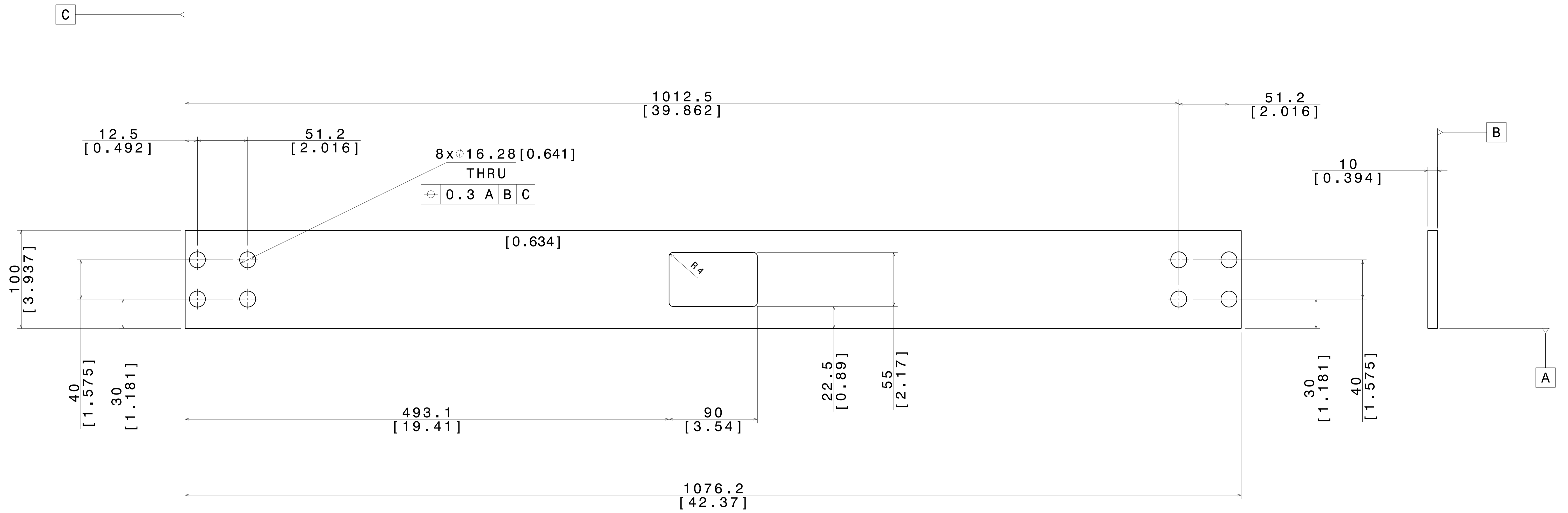
Main Unit --> mm
 Second Unit --> [in]

UNLESS OTHERWISE SPECIFIED:
 UNTOLERANCED DIMENSIONS ARE BASIC
 VALUES QUERIED FROM 3-D DIGITAL
 DATE FILE

Pos	Part Name	Part Number	Material	Quantity	Description
9	Cathode Blocking Plate	DP-FC-010	G10/FR4	18	

Project:	WA105	Scale:	2:1	Total Pages:	20
Sub-Proj.:	DP Field Cage	Assembly:	Assembly Group Name	Created:	29.11.2016
Created:	29.11.2016	Adamo Gendotti	Dimensions	From	1 6 30 100 300 1000
Last Mod.:	31.01.2017	Adamo Gendotti	To	6 30 100 300 1000 2000	Page N°
Constructed:	DD.MM.YYYY	Name	Tolerance	\pm 0.1 0.2 0.3 0.5 0.8 1.2	10

ETH zürich Cathode Blocking Plate DP-FC-010



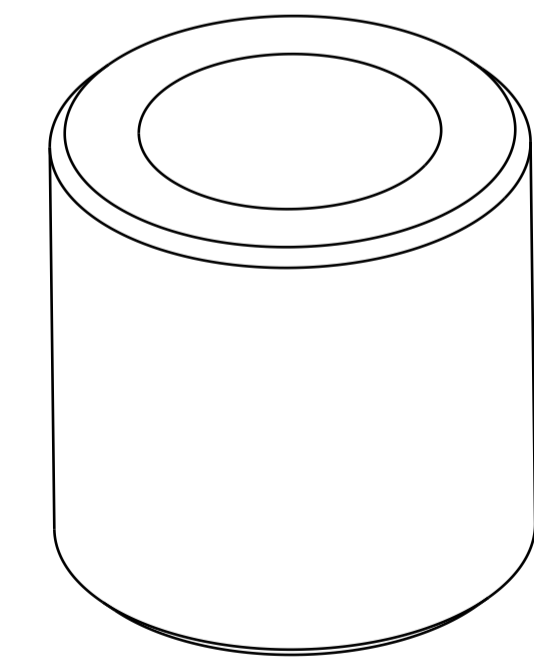
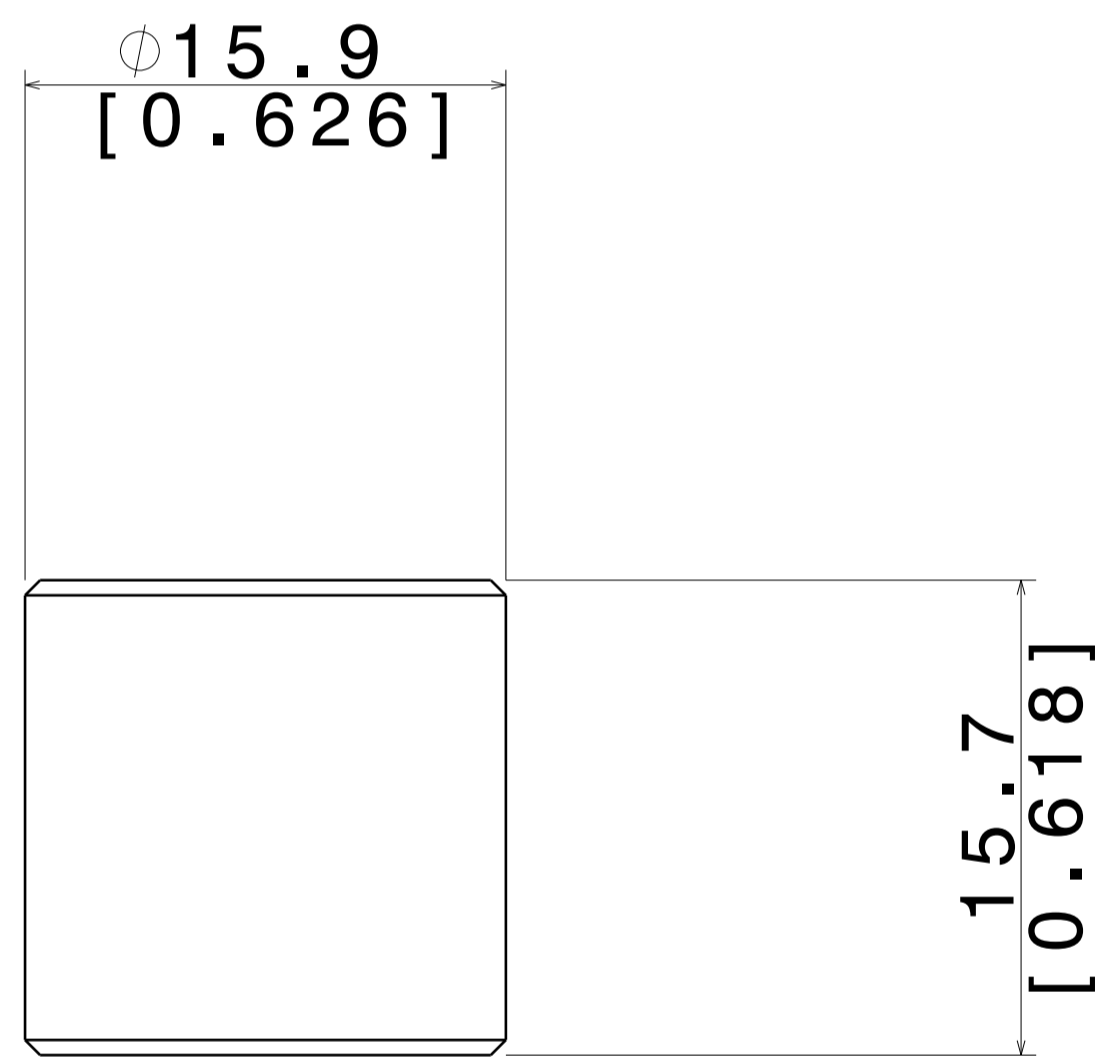
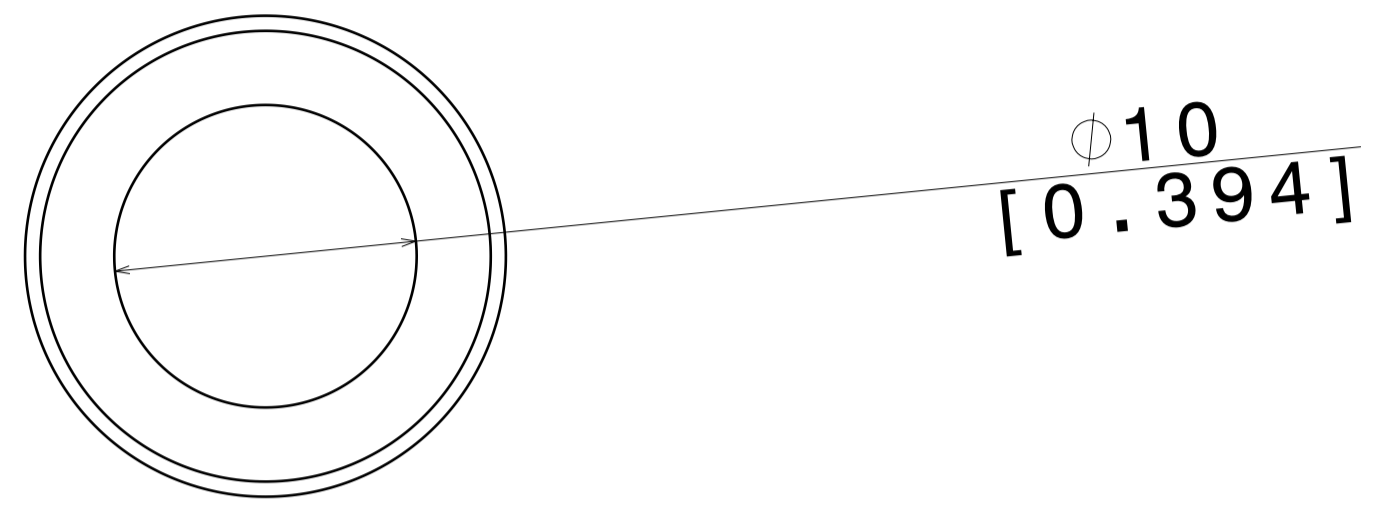
Main Unit --> **mm**
Second Unit --> **[in]**

UNLESS OTHERWISE SPECIFIED:
 UNTOLERANCED DIMENSION ARE BASIC
 VALUES QUERIED FROM 3-D DIGITAL
 DATE FILE
 0.5 A B C

Pos	Part Name	Part Number	Material	Quantity	Description
10	Plate Between Modules	DP-FC-011	G10/FR4	15	

Project:	WA105	Scale:	1:2	Tot Pages:	20
Sub-Proj.:	DP Field Cage	Assembly:	Assembly Group Name	Created:	29.11.2016
Created:	29.11.2016	Adamo Gendotti	Dimensions	From	1 6 30 100 300 1000
Last Mod.:	31.01.2017	Adamo Gendotti	To	6 30 100 300 1000 2000	Page N°
Constructed:	DD.MM.YYYY	Name	Tolerance	±0.1 0.2 0.3 0.5 0.8 1.2	11

ETH zürich Plate Between Modules DP-FC-011



Main Unit --> mm
 Second Unit --> [in]

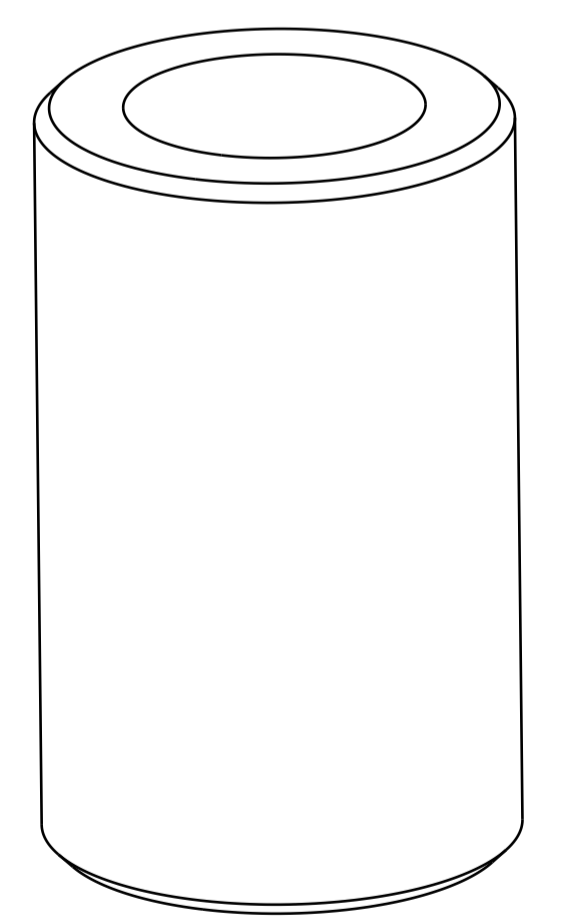
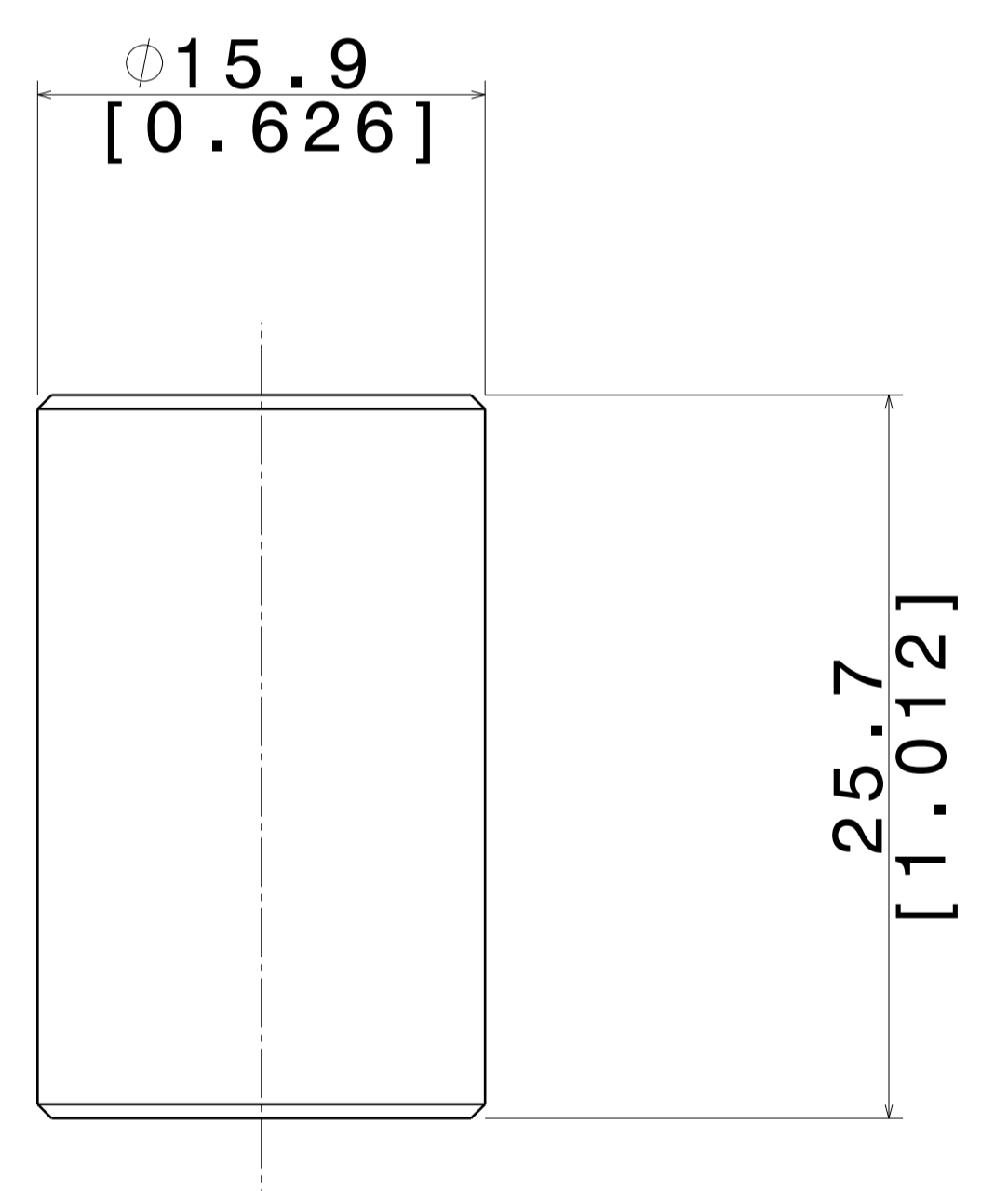
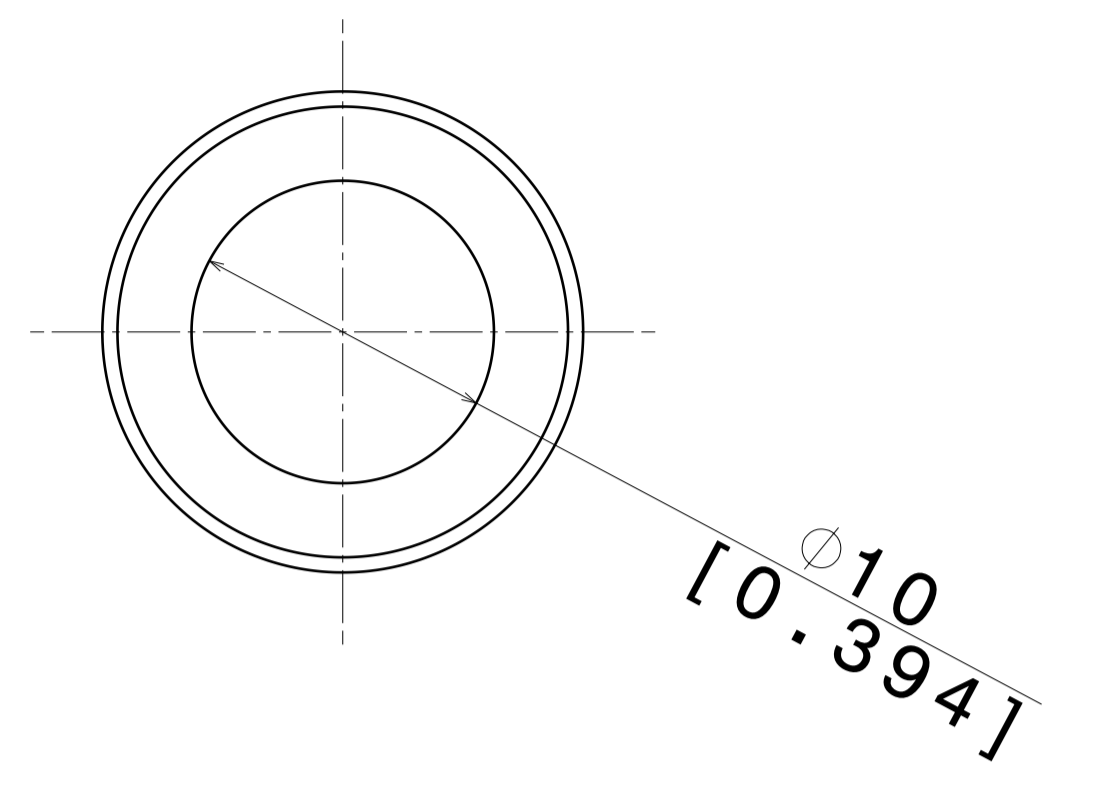
UNLESS OTHERWISE SPECIFIED:
 UNTOLERANCED DIMENSION ARE BASIC
 VALUES QUERIED FROM 3-D DIGITAL
 DATE FILE

0.5 A B C

Pos	Part Name	Part Number	Material	Quantity	Description
11	Insert for Modules Plate	DP-FC-012	G10/FR4	216	NOTES: .625 INCH ROD

Project:	WA105	Scale:	4:1	Total Pages:	20
Sub-Proj.:	DP Field Cage	Assembly Group Name:		Page N°:	12
Created:	29.11.2016	Adamo Gendotti	Dimensions:	From:	1 6 30 100 300 1000
Last Mod.:	13.12.2013	Adamo Gendotti	To:	6 30 100 300 1000 2000	
Constructed:	DD.MM.YYYY	Name:	Tolerance:	±0.1 0.2 0.3 0.5 0.8 1.2	

ETH zürich	Insert for Modules Plate	DP-FC-012
-------------------	--------------------------	-----------

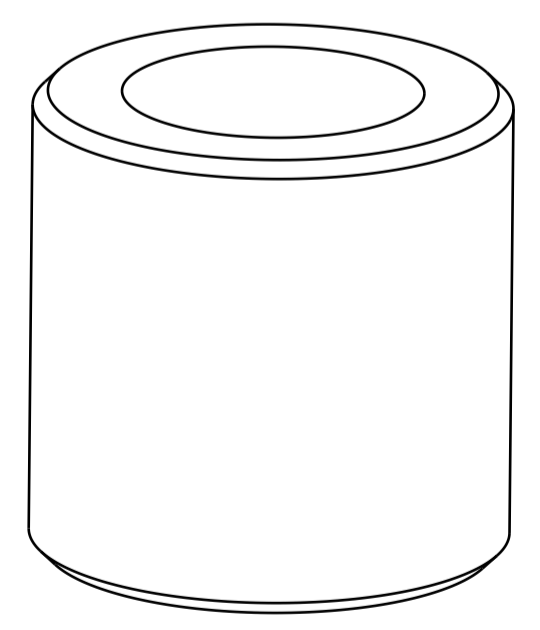
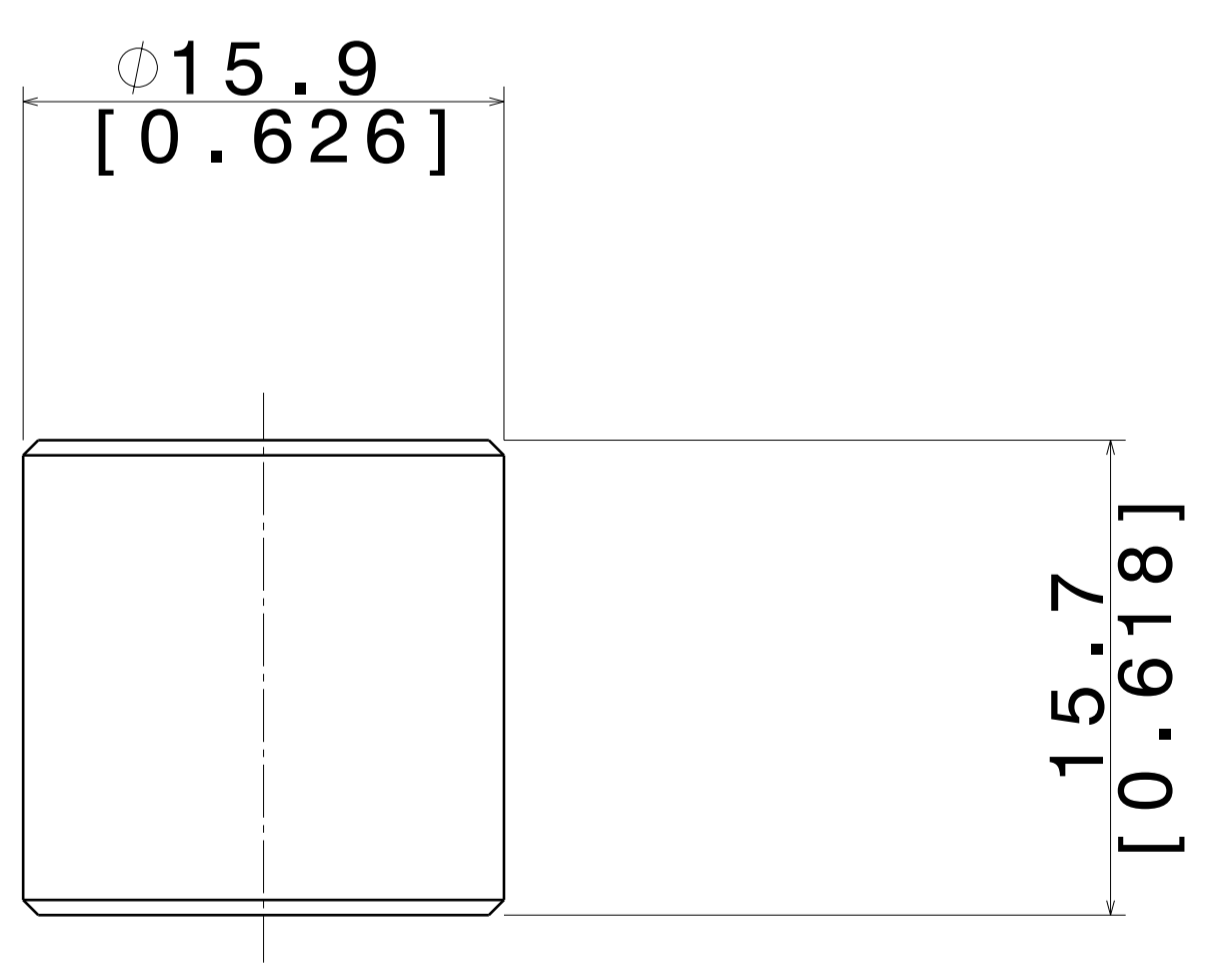
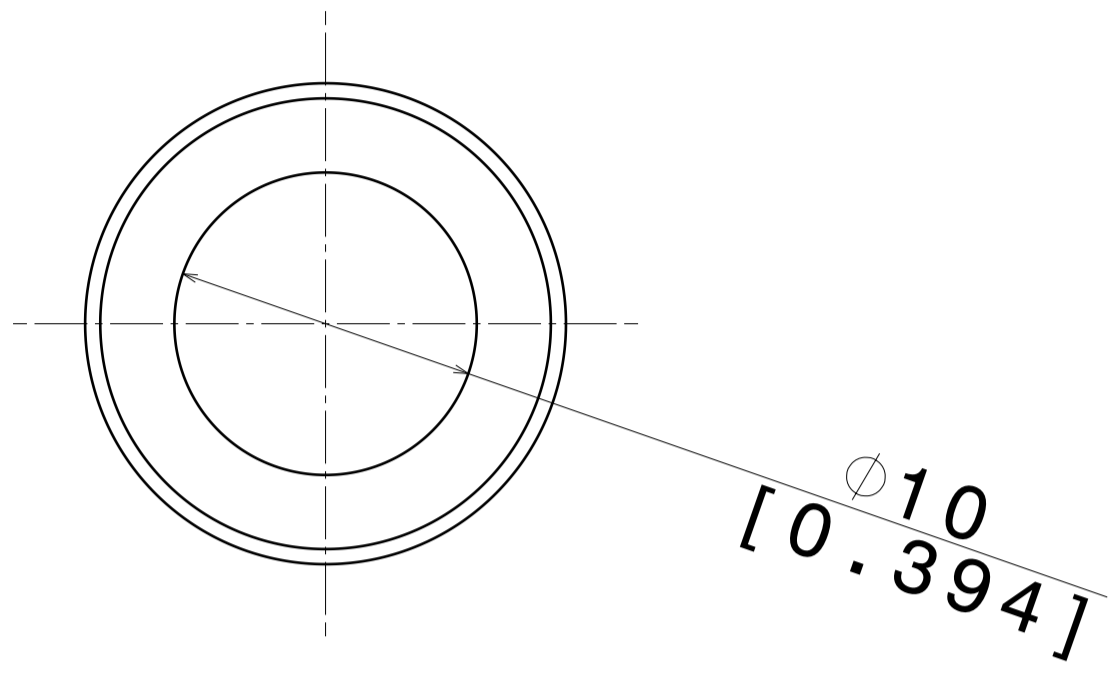


Main Unit --> mm
Second Unit --> [in]

UNLESS OTHERWISE SPECIFIED:
 UNTOLERANCED DIMESNION ARE BASIC
 VALUES QUERIED FROM 3-D DIGITAL
 DATE FILE
 ☐ 0.5 | A | B | C

Pos	Part Name	Part Number	Material	Quantity	Description
12	Insert for Cathode Connection	DP-FC-013	G10/FR4	126	NOTES: .625 INCH ROD

Project: WA105		Scale: 4:1		Tot Pages: 20	
Sub-Proj.: DP Field Cage		Assembly Group Name		Page N°: 13	
Created: 29.11.2016	Adamo Gendotti	Dimensions	From: 1 4 30 100 300 1000	To: 4 30 100 300 1000 2000	
Last Mod.: DD.MM.YYYY	Name	Tolerance	±0.1 0.2 0.3 0.4 0.8 1.2		
Constructed: DD.MM.YYYY	Name				
ETH zürich			Insert for Cathode Connection		DP-FC-013

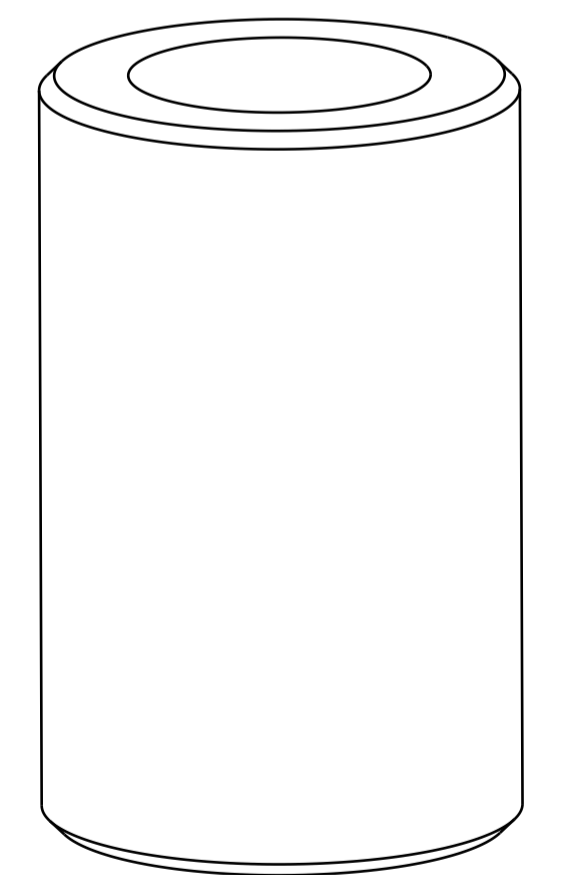
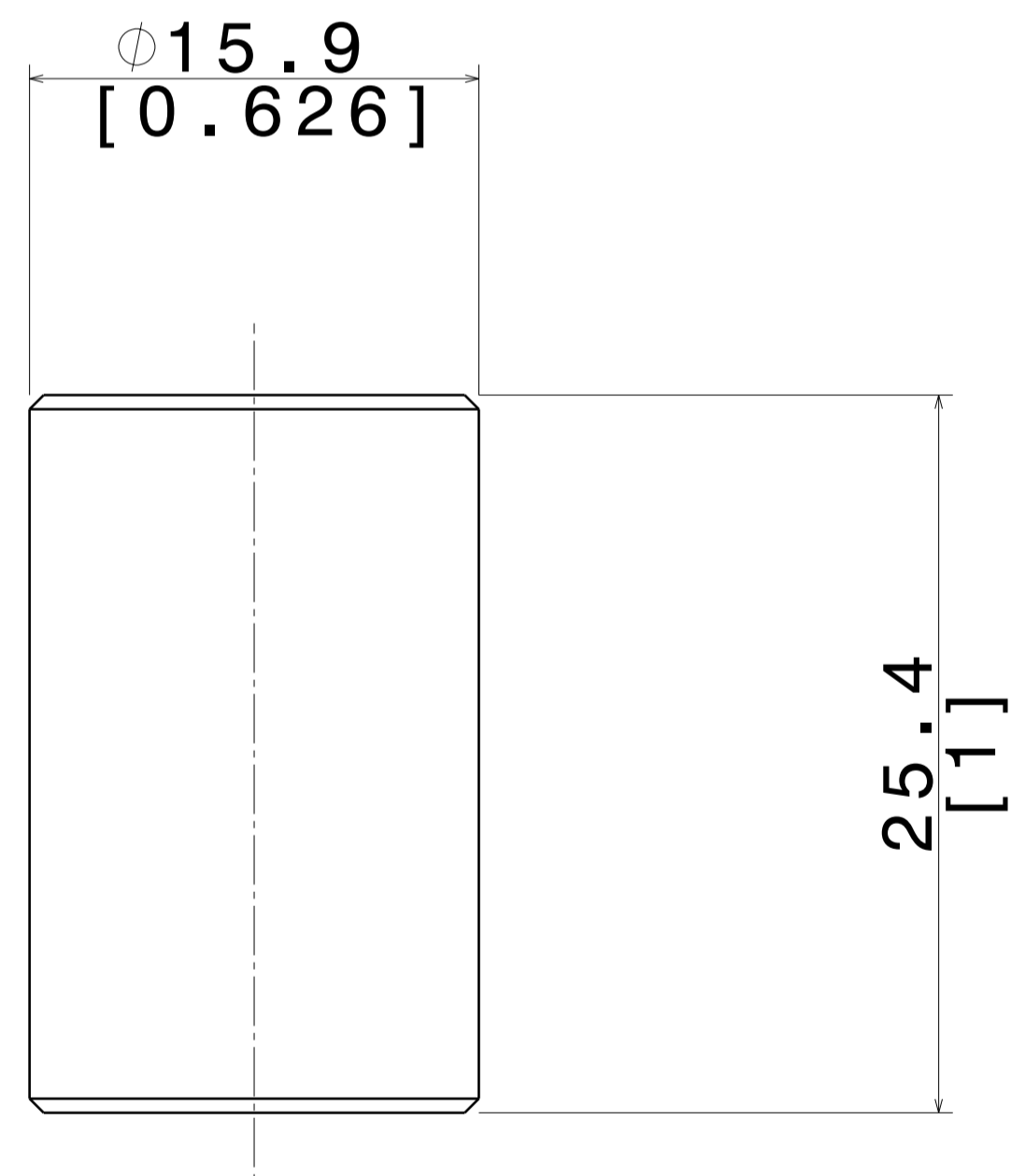
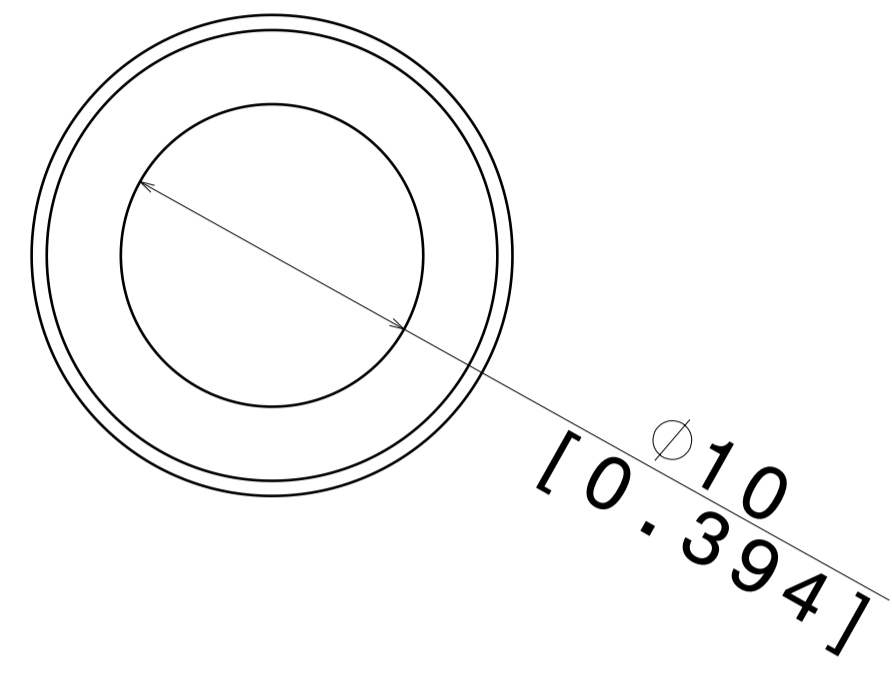


Main Unit --> mm
 Second Unit --> [in]

UNLESS OTHERWISE SPECIFIED:
 UNTOLERANCED DIMENSIONS ARE BASIC
 VALUES QUERIED FROM 3-D DIGITAL
 DATE FILE
 0.5 A B C

Pos	Part Name	Part Number	Material	Quantity	Description
13	Insert Sub Modules 1	DP-FC-014	G10/FR4	288	NOTES: .625 INCH ROD

Project:	WA105	Scale:	4:1	Total Pages:	20
Sub-Proj.:	DP Field Cage	Assembly:	Assembly Group Name	Page N°:	14
Created:	29.11.2016	Name:	Adamo Gendotti	Dimensions:	From 1 4 30 100 300 1000
Last Mod.:	DD.MM.YYYY	Name:		To:	6 30 100 300 1000 2000
Constructed:	DD.MM.YYYY	Name:		Tolerance:	±0.1 0.2 0.3 0.4 0.8 1.2
ETH zürich			Insert Sub Module 1		DP-FC-014

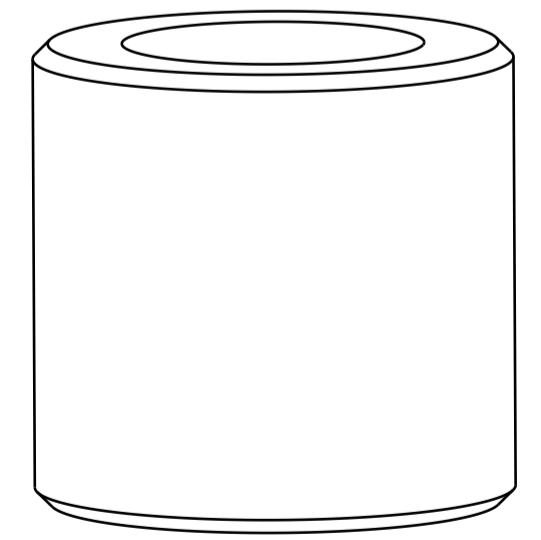
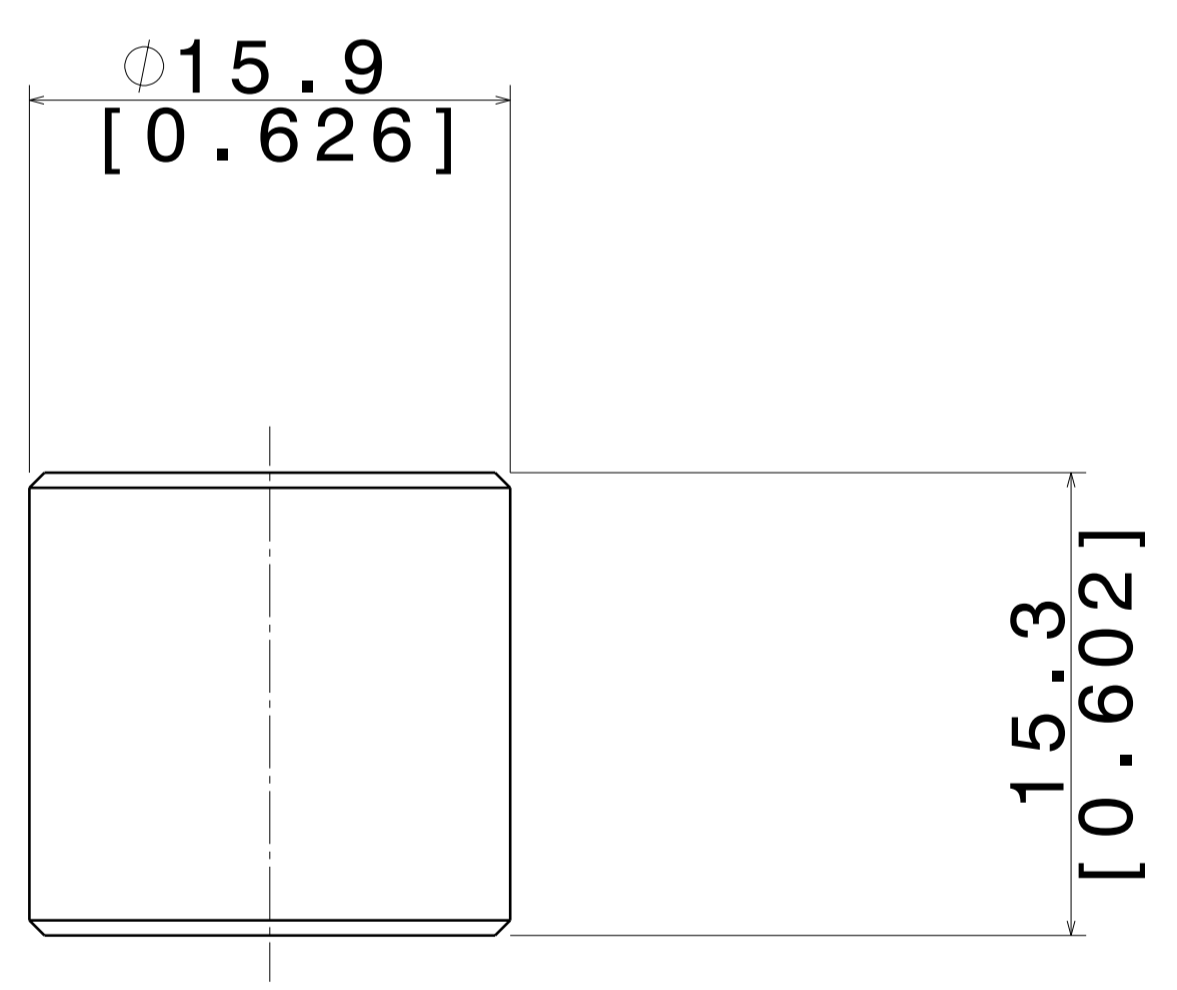
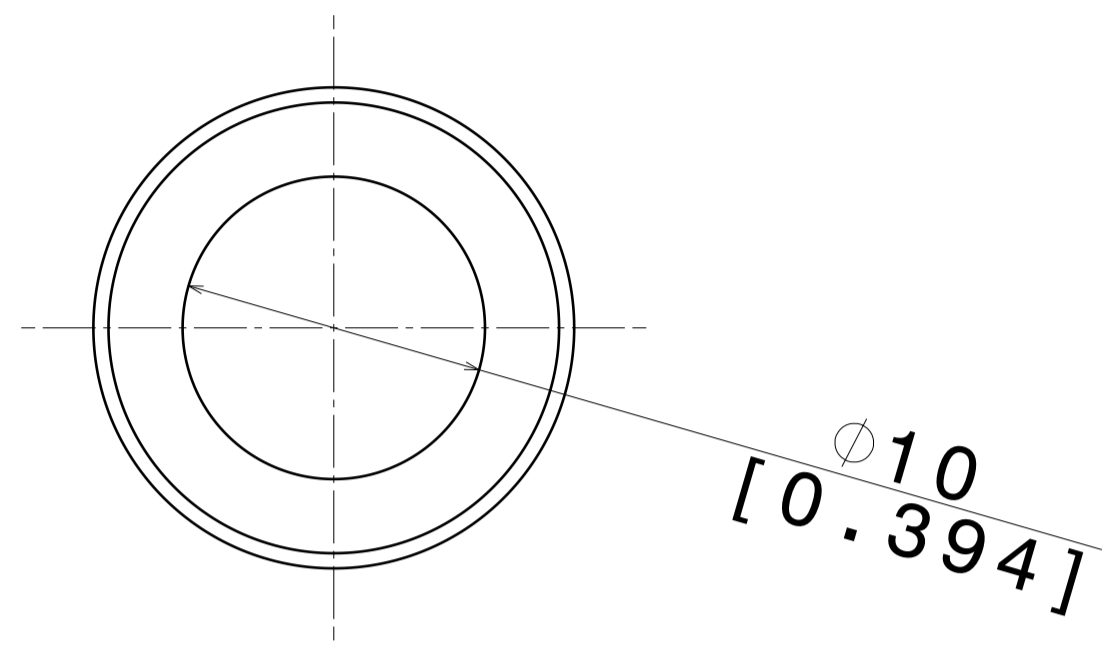


Main Unit --> mm
 Second Unit --> [in]

UNLESS OTHERWISE SPECIFIED:
 UNTOLERANCED DIMENSION ARE BASIC
 VALUES QUERIED FROM 3-D DIGITAL
 DATE FILE
 0.5 A B C

Pos	Part Name	Part Number	Material	Quantity	Description
14	Insert Sub Modules 2	DP-FC-015	G10/FR4	360	NOTES: .625 INCH ROD

Project:	WA105	Scale:	4:1	Total Pages:	20
Sub-Proj.:	DP Field Cage	Assembly Group Name:		Page N°:	15
Created:	29.11.2016 Adamo Gendotti	Dimensions:	From 1 4 30 100 300 1000		
Last Mod.:	DD.MM.YYYY Name	To:	6 30 100 300 1000 2000		
Constructed:	DD.MM.YYYY Name	Tolerance:	±0.1 0.2 0.3 0.4 0.8 1.2		
ETH zürich		Insert Sub Modules 2		DP-FC-015	

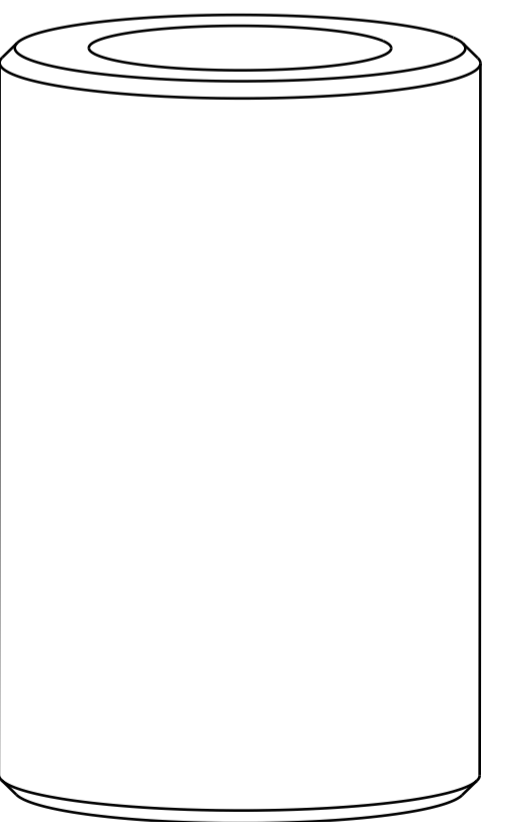
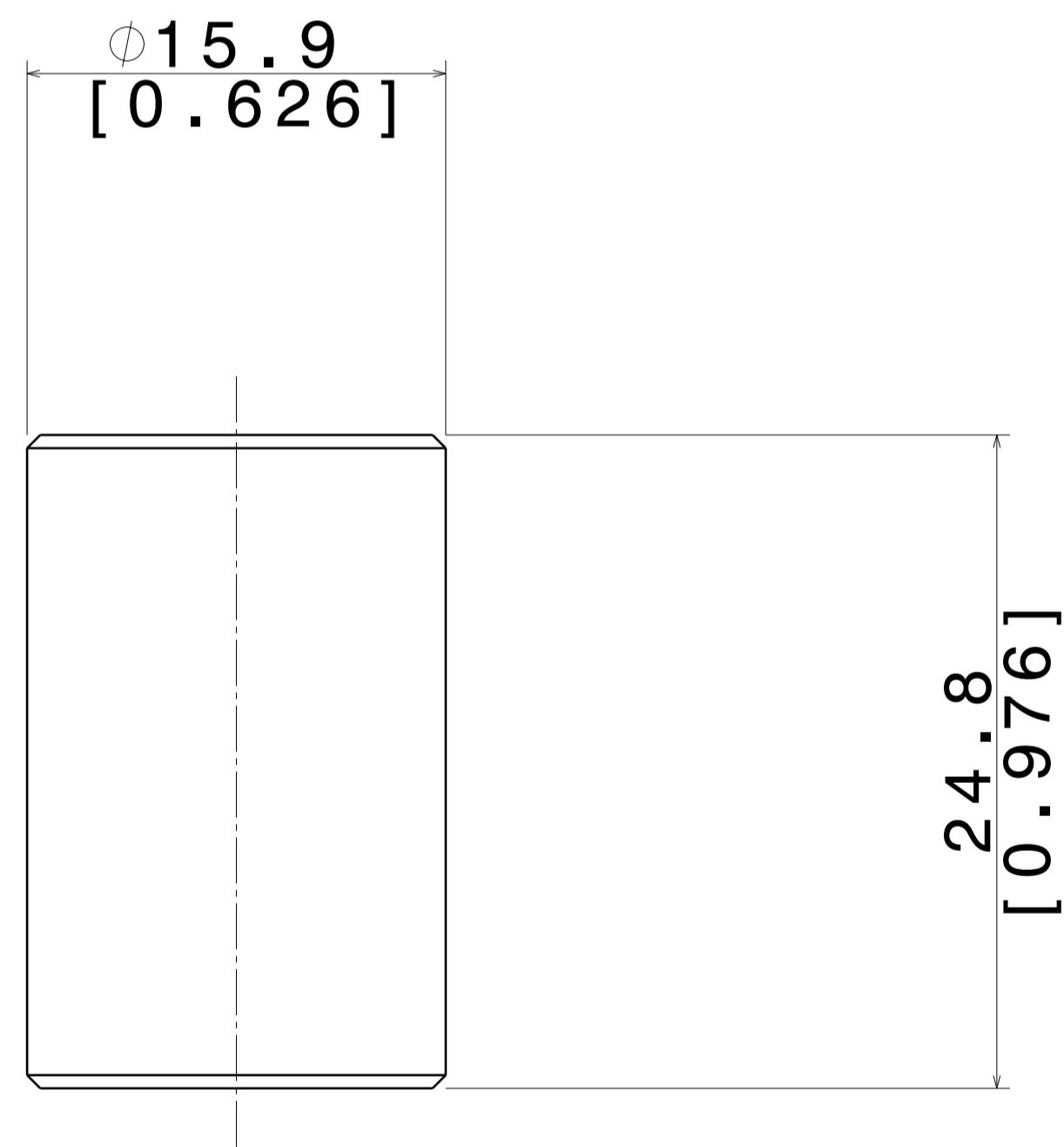
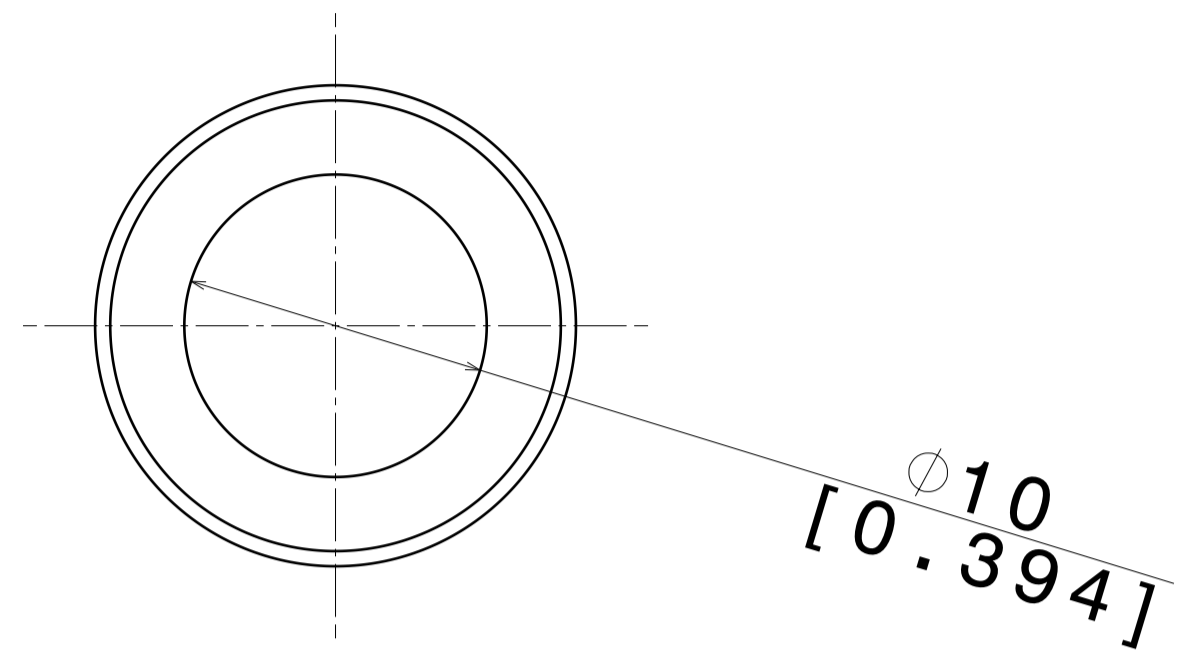


Main Unit --> mm
 Second Unit --> [in]

UNLESS OTHERWISE SPECIFIED:
 UNTOLERANCED DIMENSION ARE BASIC
 VALUES QUERIED FROM 3-D DIGITAL
 DATE FILE
 0.5 A B C

Pos	Part Name	Part Number	Material	Quantity	Description
15	Insert for L Short	DP-FC-016	G10/FR4	432	NOTES: .625 INCH ROD

Project: WA105		Scale: 4:1		Tot Pages: 20	
Sub-Proj.: DP Field Cage		Assembly Group Name		Page N°: 16	
Created: 29.11.2016	Adamo Gendotti	Dimensions	From 1 4 30 100 300 1000		
Last Mod.: DD.MM.YYYY	Name	To 6 30 100 300 1000 2000			
Constructed: DD.MM.YYYY	Name	Tolerance	+0.1 0.2 0.3 0.4 0.8 1.2		
ETH zürich		Insert for L Short		DP-FC-016	



Main Unit --> mm
 Second Unit --> [in]

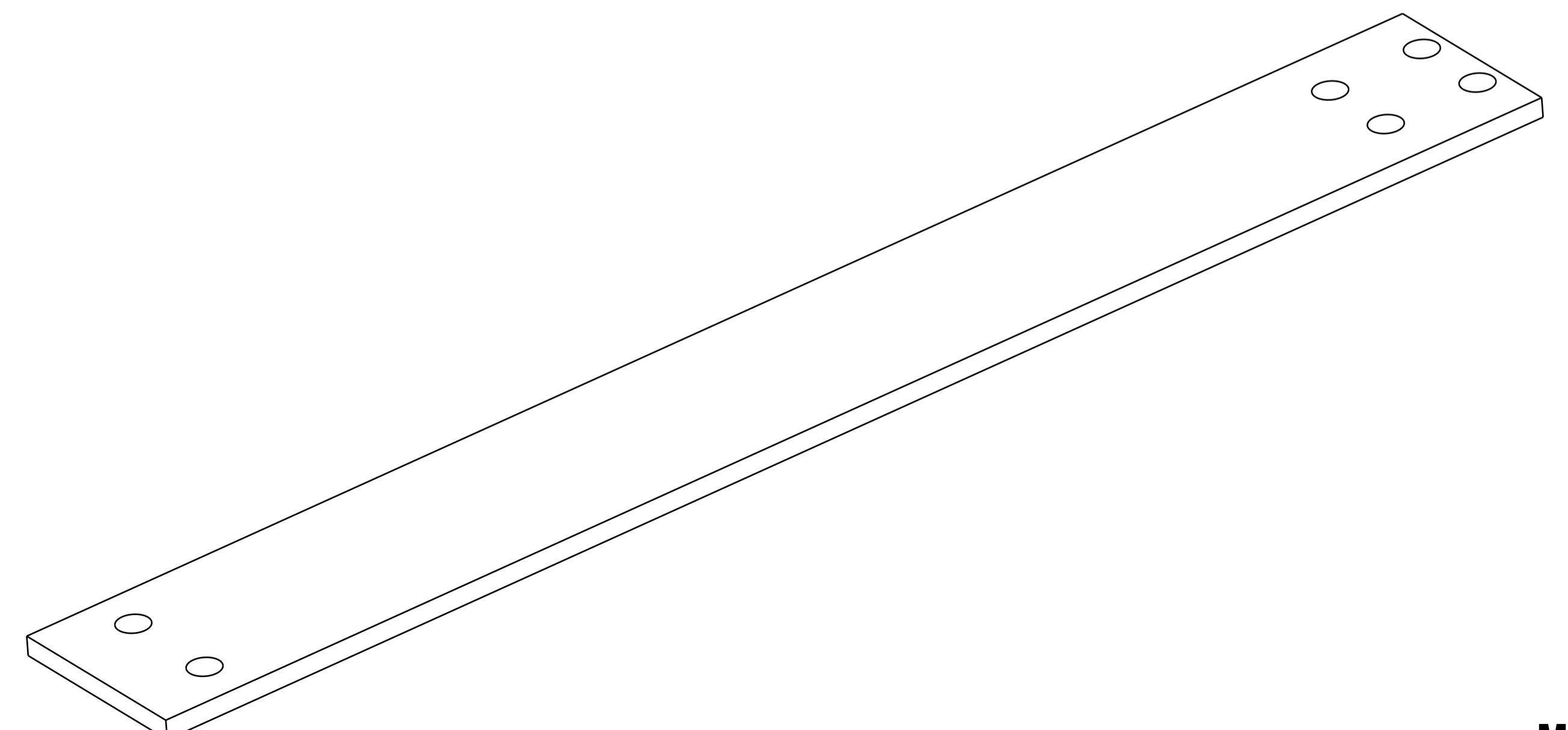
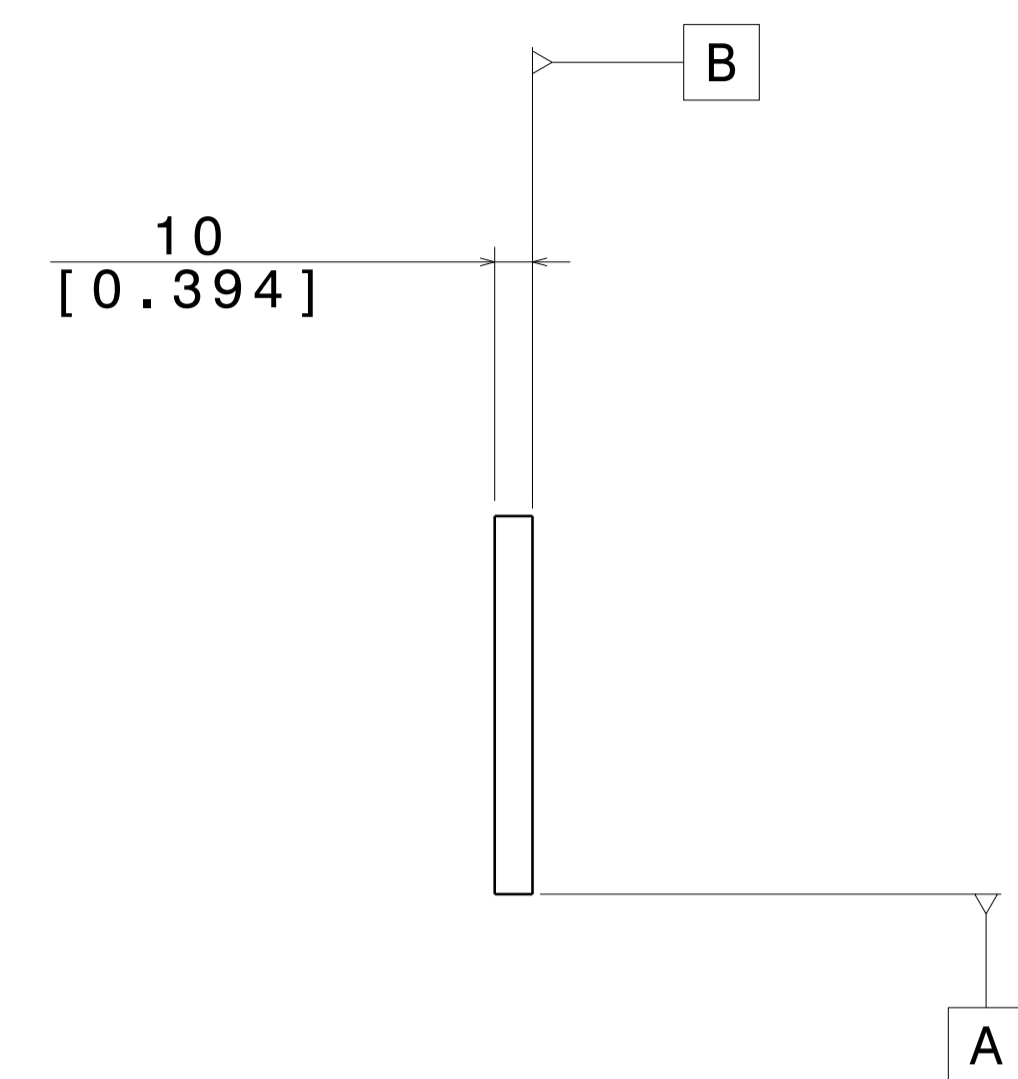
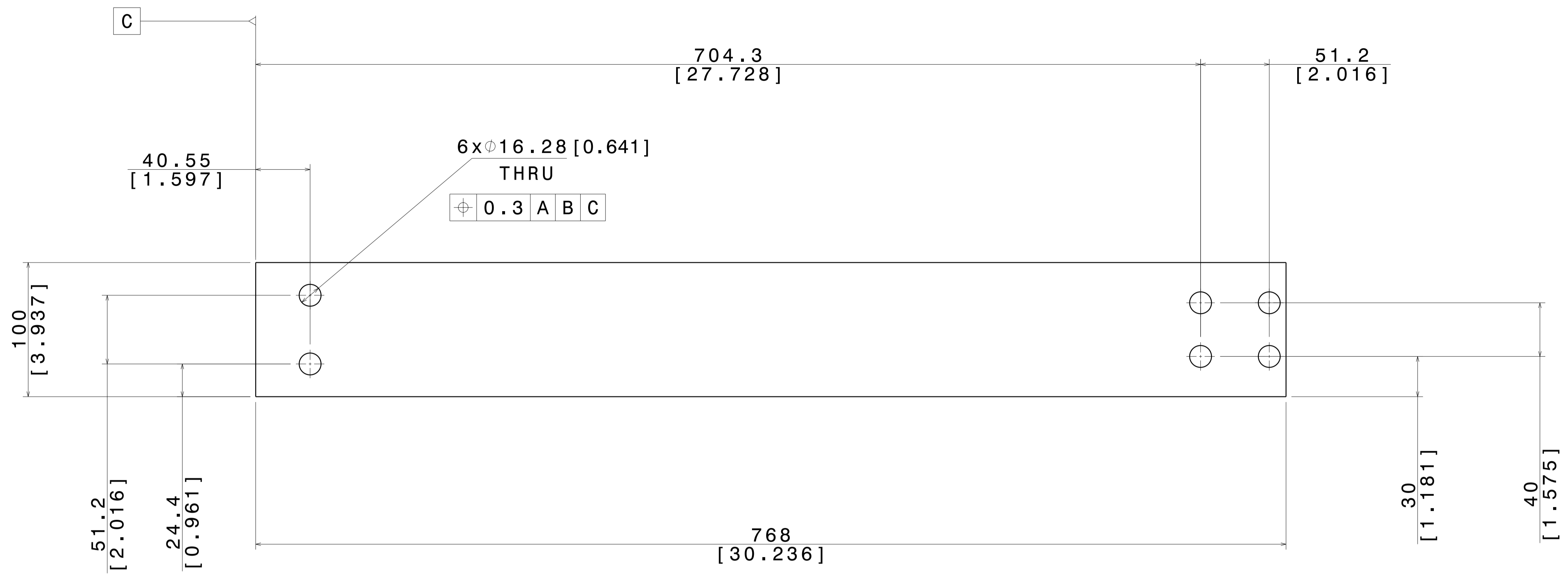
UNLESS OTHERWISE SPECIFIED:
 UNTOLERANCED DIMESNION ARE BASIC
 VALUES QUERIED FROM 3-D DIGITAL
 DATE FILE

0.5 A B C

Pos	Part Name	Part Number	Material	Quantity	Description
16	Insert for L Long	DP-FC-017	G10/FR4	216	NOTES: .625 INCH ROD

Project:	WA105	Scale:	4:1	Tot Pages:	20
Sub-Proj.:	DP Field Cage	Assembly:	Assembly Group Name	Page N°:	17
Created:	29.11.2016 Adamo Gendotti	Dimensions:	From 1 6 30 100 300 1000		
Last Mod.:	DD.MM.YYYY Name	To:	6 30 100 300 1000 2000		
Constructed:	DD.MM.YYYY Name	Tolerance:	±0.1 0.2 0.3 0.5 0.8 1.2		

ETH zürich	Insert for L Long	DP-FC-017
-------------------	-------------------	-----------



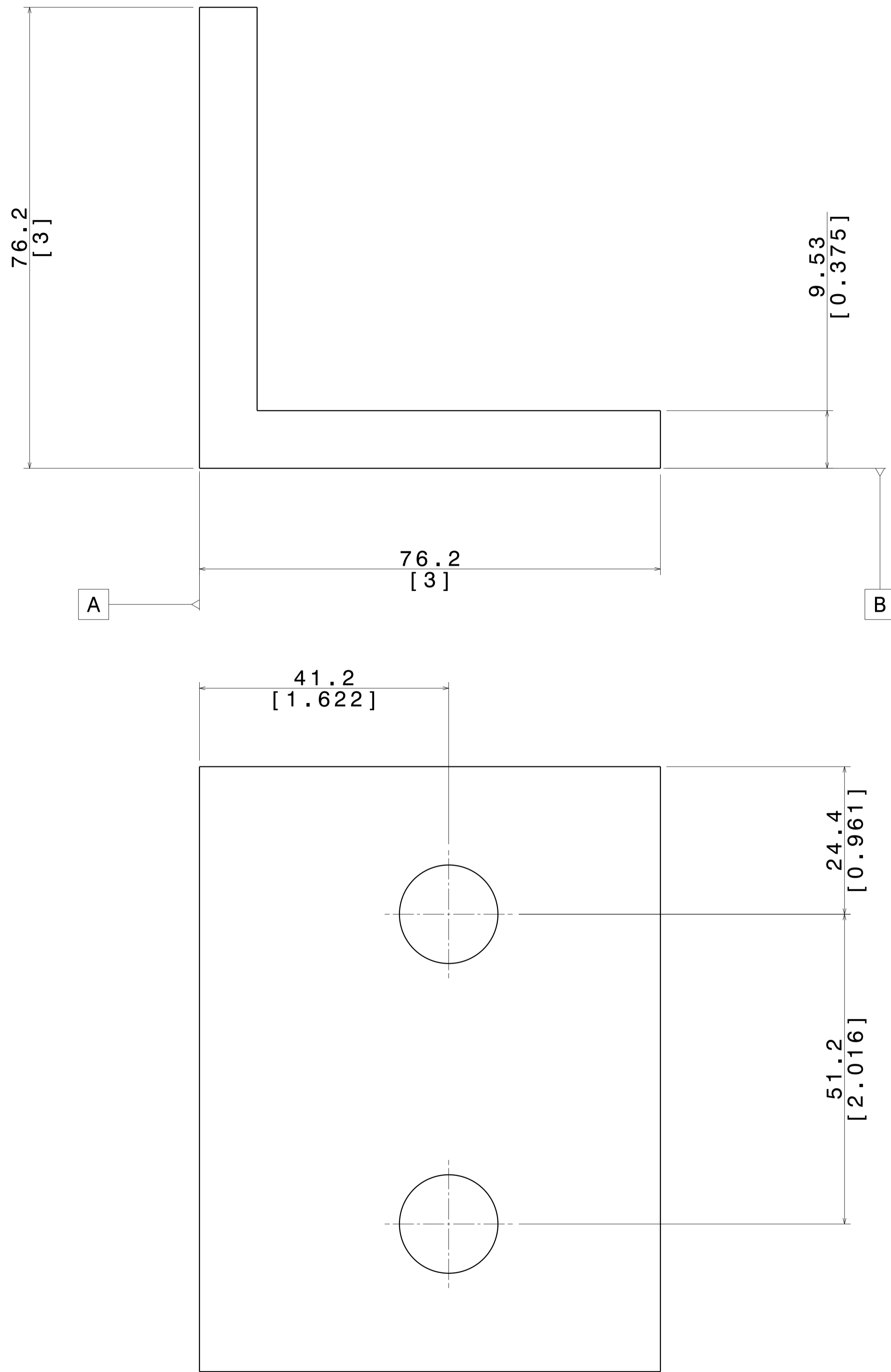
Main Unit --> mm
 Second Unit --> [in]

UNLESS OTHERWISE SPECIFIED:
 UNTOLERANCED DIMENSION ARE BASIC
 VALUES QUERIED FROM 3-D DIGITAL
 DATE FILE

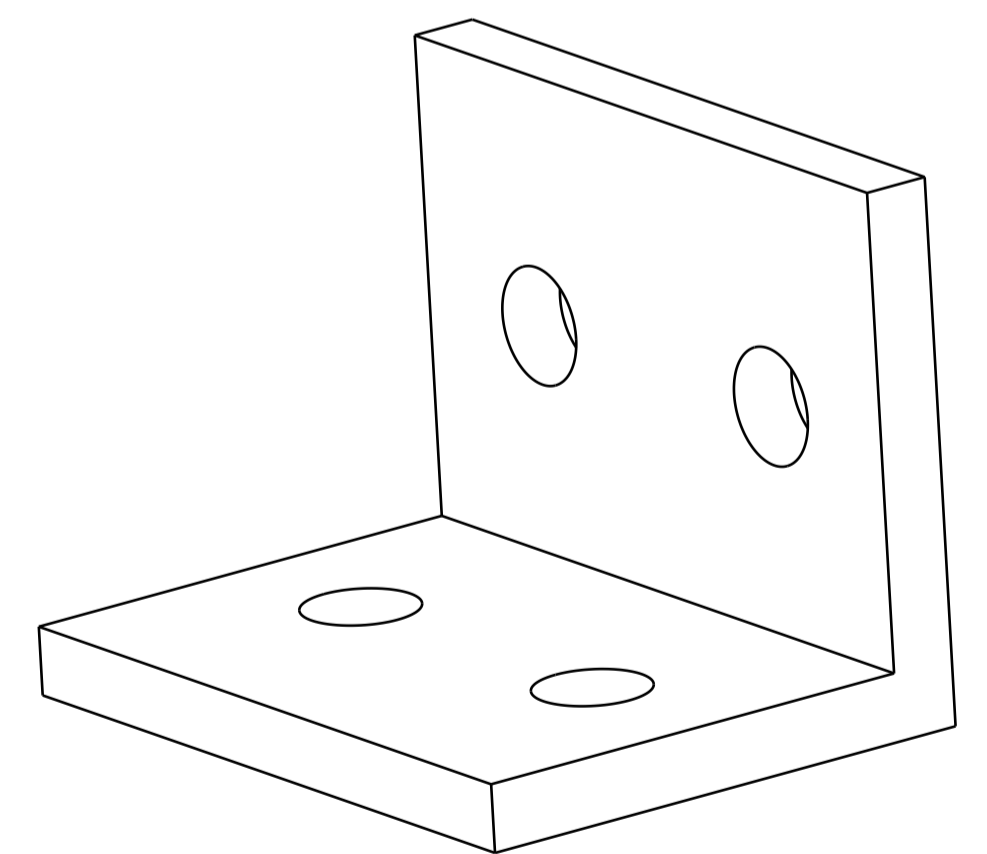
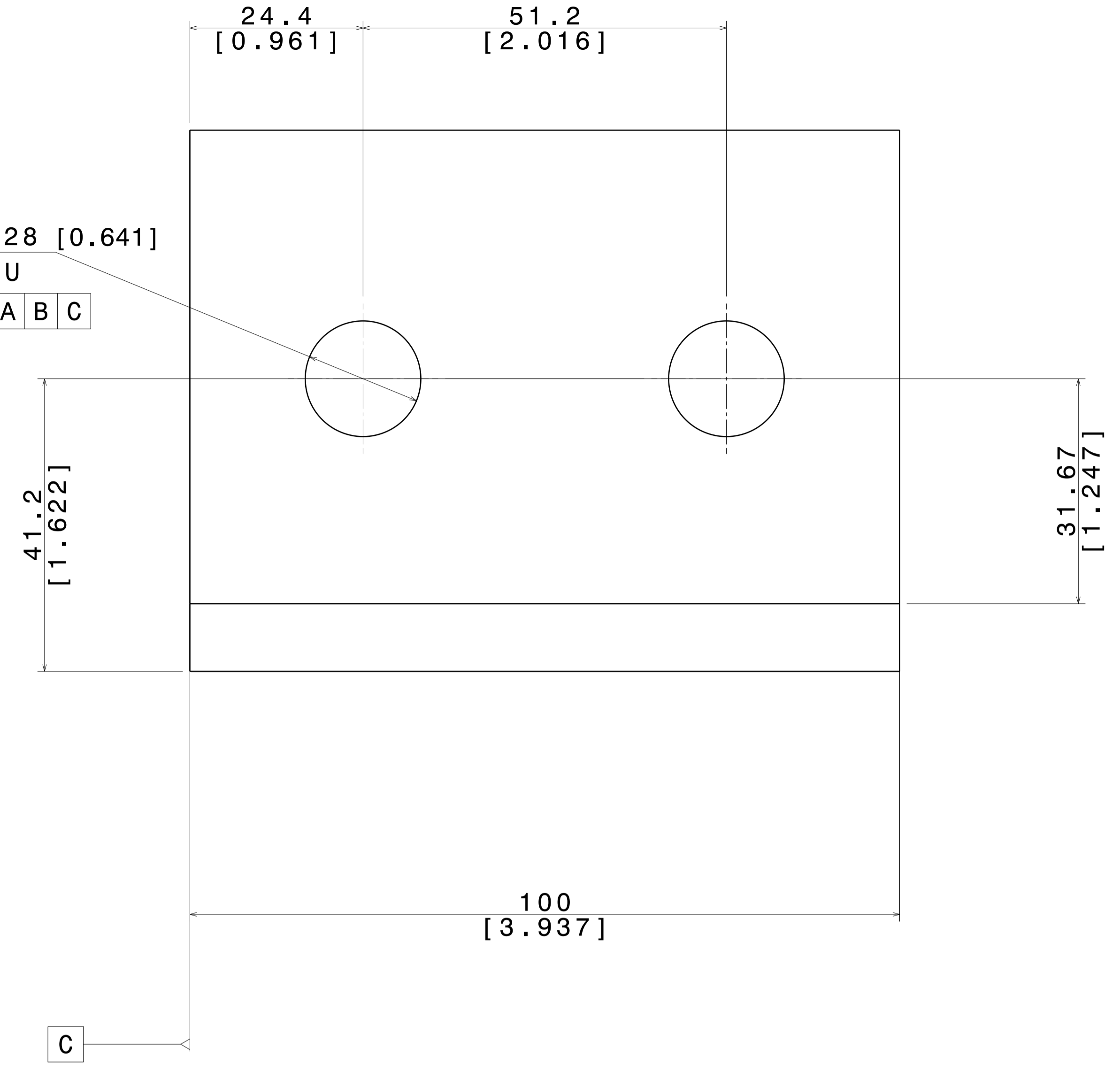
∆ 0.5 A B C

Pos	Part Name	Part Number	Material	Quantity	Description
17	Plate for FC Corner	DP-FC-018	G10/FR4	27	

Project:	WA105	Scale:	1:2	Total Pages:	20
Sub-Proj.:	DP Field Cage	Created:	13.12.2016	Last Mod.:	
Assembly:	Assembly Group Name	Constructed:	DD.MM.YYYY	Name:	
Dimensions		From 1 6 30 100 300 1000			
Tolerance		±0.1 0.2 0.3 0.5 0.8 1.2			
			Page N°		18



4x ϕ 16.28 [0.641]
TRHU
 ϕ 0.3 A B C



Pos	Part Name	Part Number	Material	Quantity	Description
18	L-Profile for FC Corner	DP-FC-019	FRP	15	NOTES: 1-MATERIAL: 3 INCH x 3 INCH x 1/4 INCH FIBERGLASS FRP ANGLE 2-USE .6350 INCH REAMER

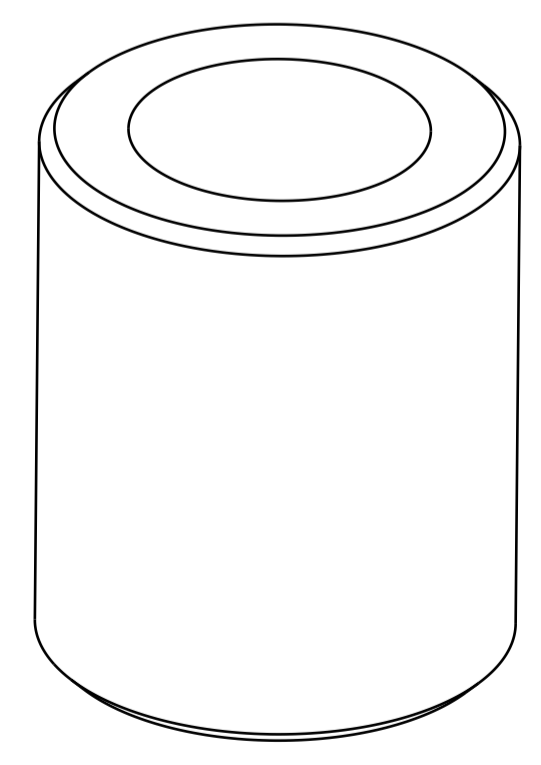
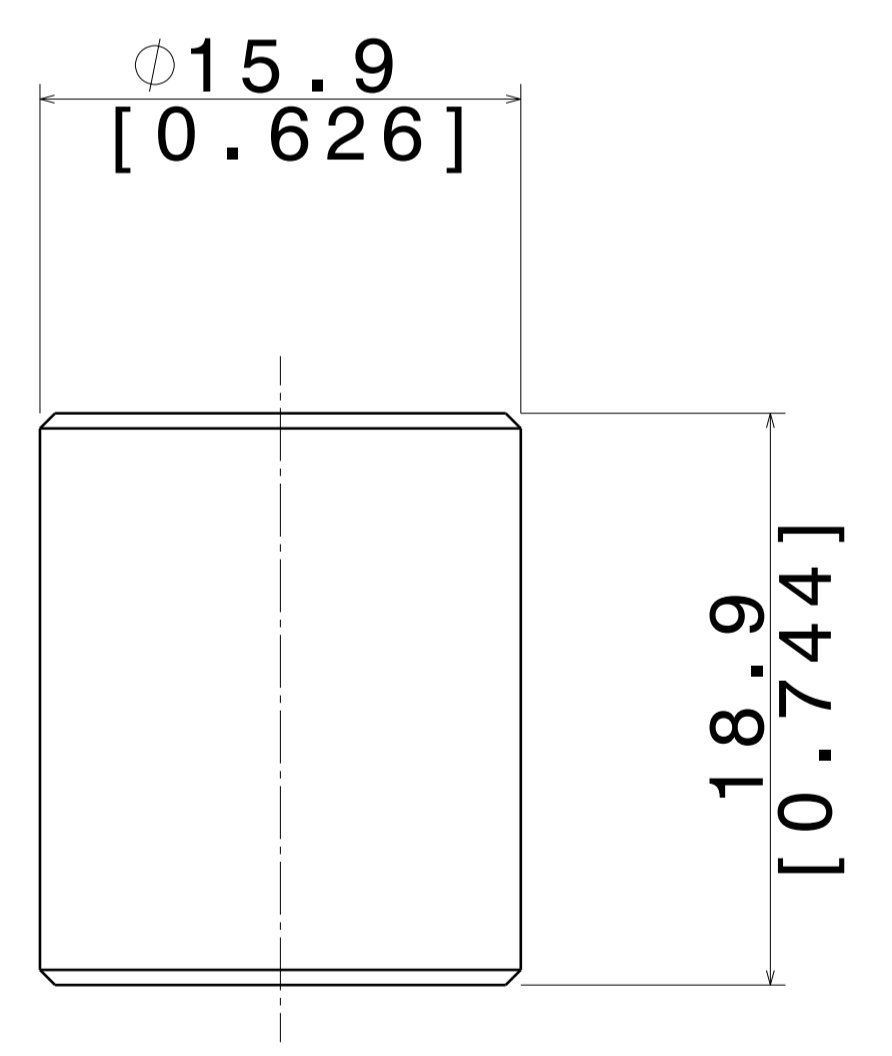
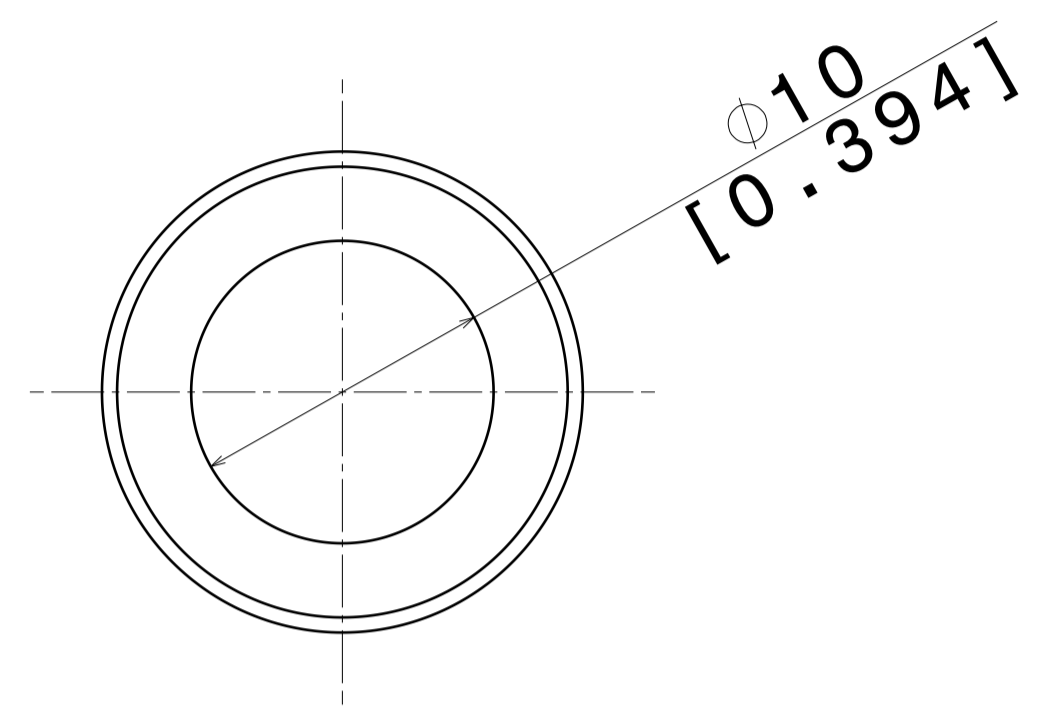
Main Unit --> mm
Second Unit --> [in]

UNLESS OTHERWISE SPECIFIED:
UNTOLERANCED DIMENSION ARE BASIC
VALUES QUERIED FROM 3-D DIGITAL
DATE FILE

\triangle 0.5 A B C

Project:	WA105	Scale:	2:1	Tot Pages:	20
Sub-Proj.:	DP Field Cage	Assembly:	Assembly Group Name	Page N°:	19
Created:	13.12.2016	Adamo Gendotti	Dimensions	From	1 4 30 100 300 1000
Last Mod.:			To	6 30 100 300 1000 2000	
Constructed:	DD.MM.YYYY	Name	Tolerance	\pm 0.1 0.2 0.3 0.5 0.8 1.2	

ETH zürich | L-Profile for FC Corner | DP-FC-019



Main Unit --> mm
 Second Unit --> [in]

UNLESS OTHERWISE SPECIFIED:
 UNTOLERANCED DIMESNION ARE BASIC
 VALUES QUERIED FROM 3-D DIGITAL
 DATE FILE

0.5 A B C

Pos	Part Name	Part Number	Material	Quantity	Description
19	Insert for FC Corner	DP-FC-020	G10/FR4	54	NOTES: .625 INCH ROD

Project:	WA105	Scale	4:1	Total Pages	20
Sub-Proj.:	DP Field Cage	Assembly Group Name		Page N°	20
Created:	13.12.2016	Adamo Gendotti	Dimensions	From	1 4 30 100 300 1000
Last Mod.:			To	6 30 100 300 1000 2000	
Constructed:	DD.MM.YYYY	Name	Tolerance	±0.1 0.2 0.3 0.4 0.8 1.2	
ETH zürich			Insert for FC Corner		DP-FC-020

