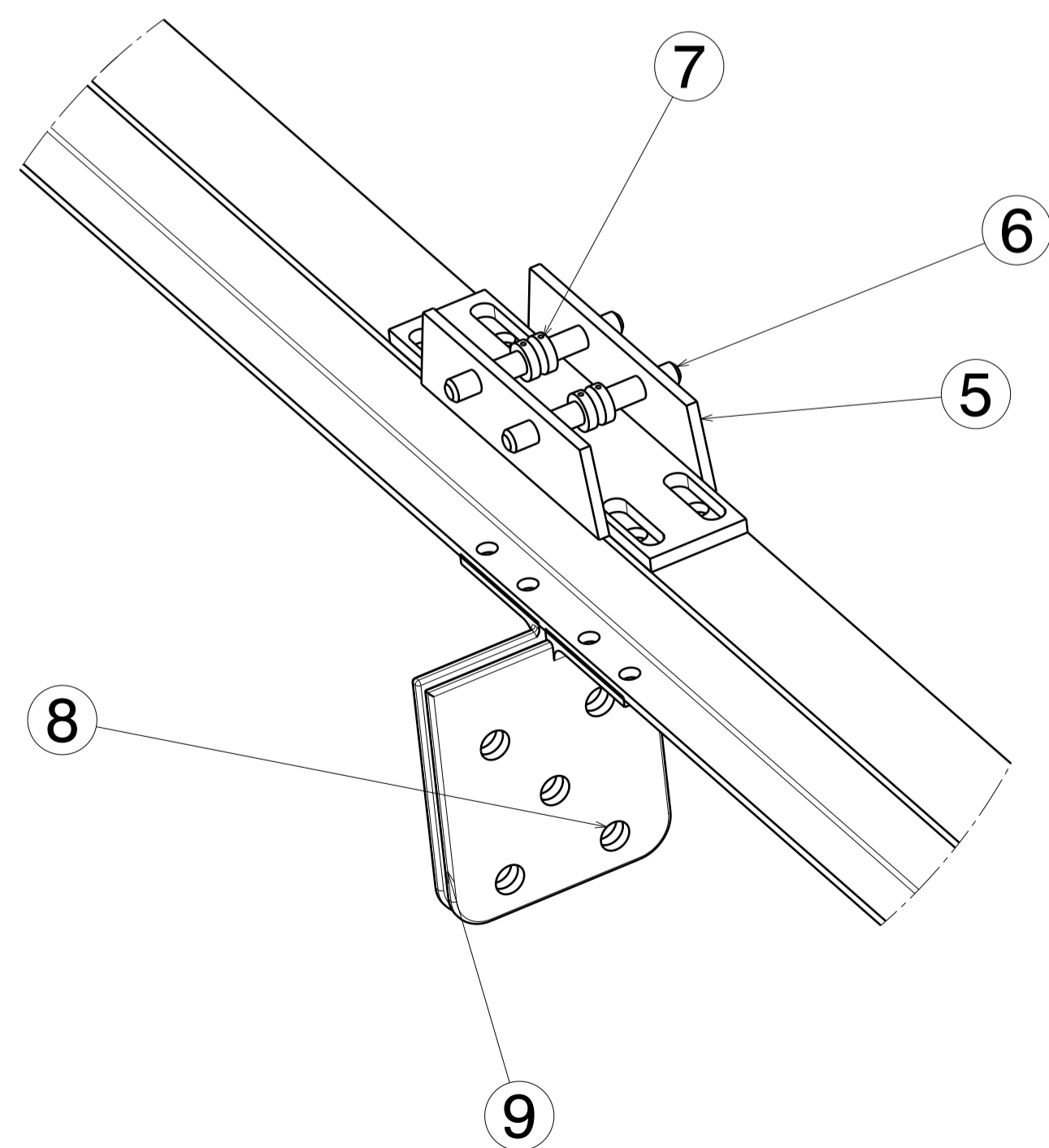
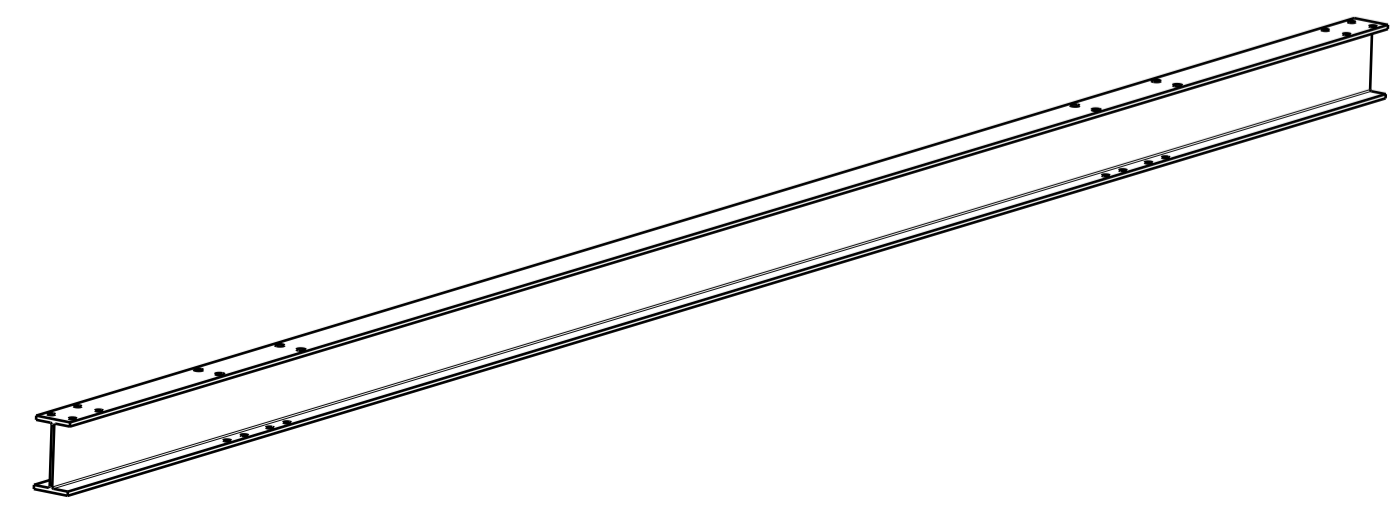
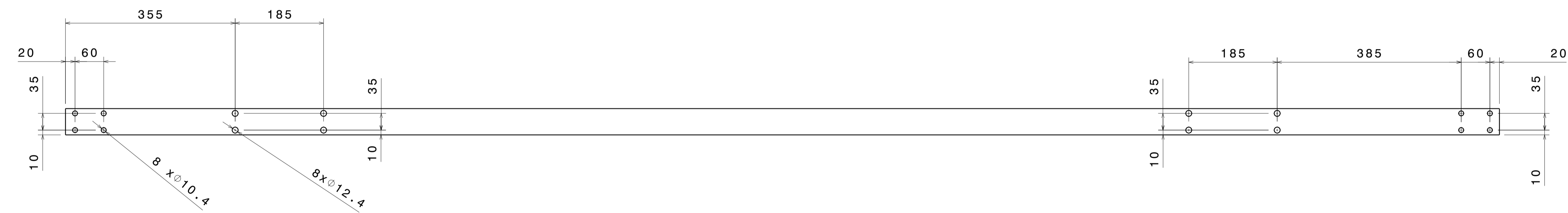
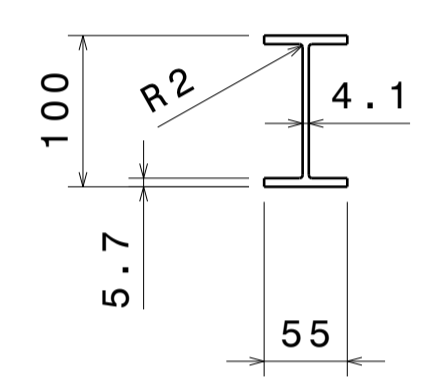
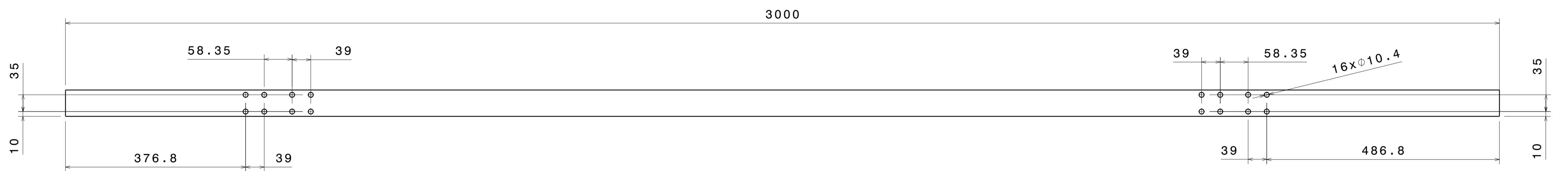
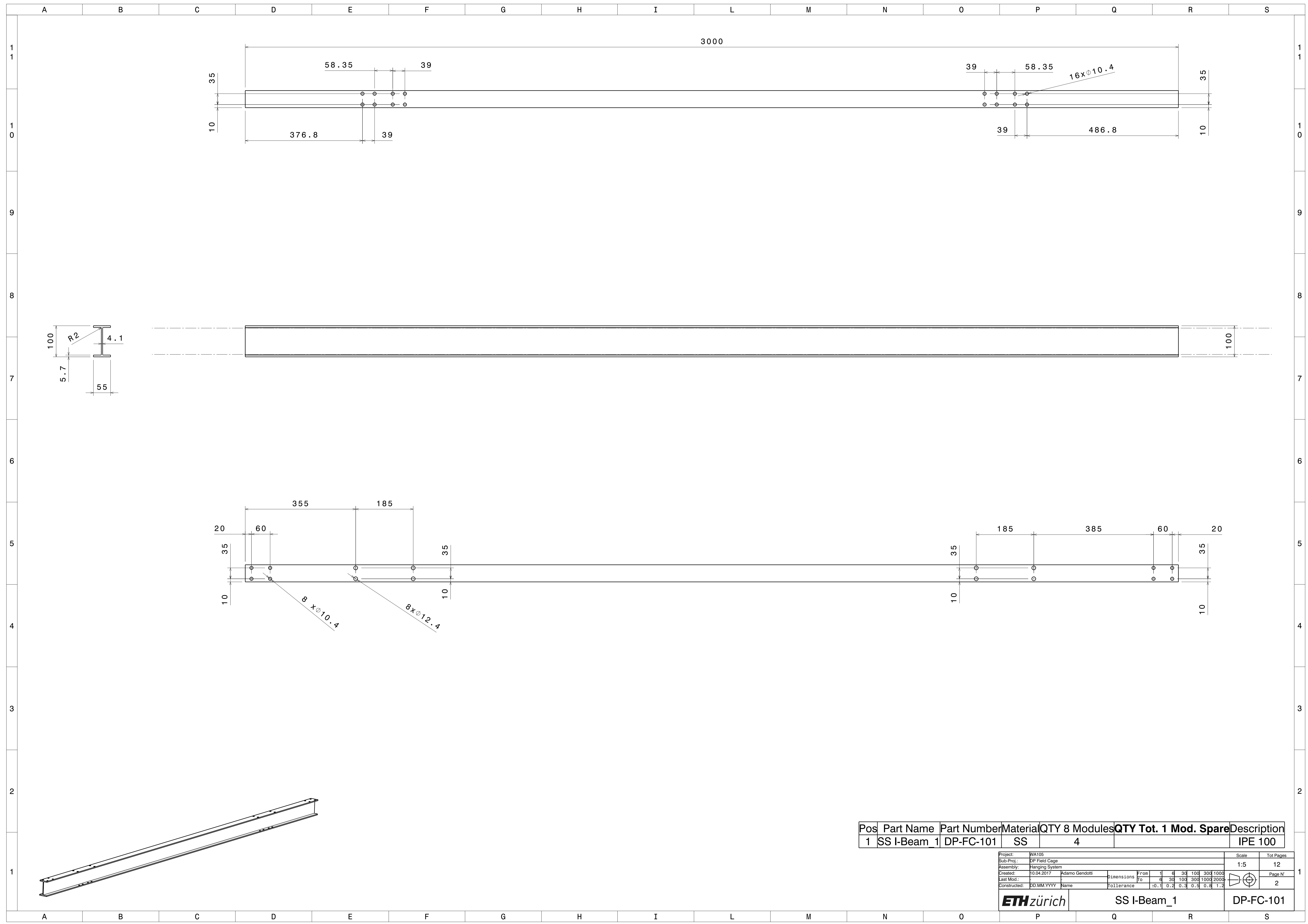


**DETAIL A  
(1:3)**



Pos	Part Name	Part Number	Material	QTY 8 Modules	QTY Tot. 1 Mod. Spare	Description
1	SS I-Beam 1	DP-FC-101	SS	4		IPE 100
2	SS I-Beam 2	DP-FC-102	SS	4		IPE 100
3	Corner Fixing Reinforce	DP-FC-103	SS	4		
4	Straight Fixing Reinforce	DP-FC-104	SS	4		
5	Hanging Main Body	DP-FC-105	SS	16		
6	Insert Rod	DP-FC-106	SS	32		
7	Wire Regulating Cylinder	DP-FC-107	SS	32		
8	Left L-Profile	DP-FC-108	SS	16		
9	Rigth L-Profile	DP-FC-109	SS	16		
10	SS inserts	DP-FC-110	SS	80		
11	Bolts and Nuts List	DP-FC-111	SS			

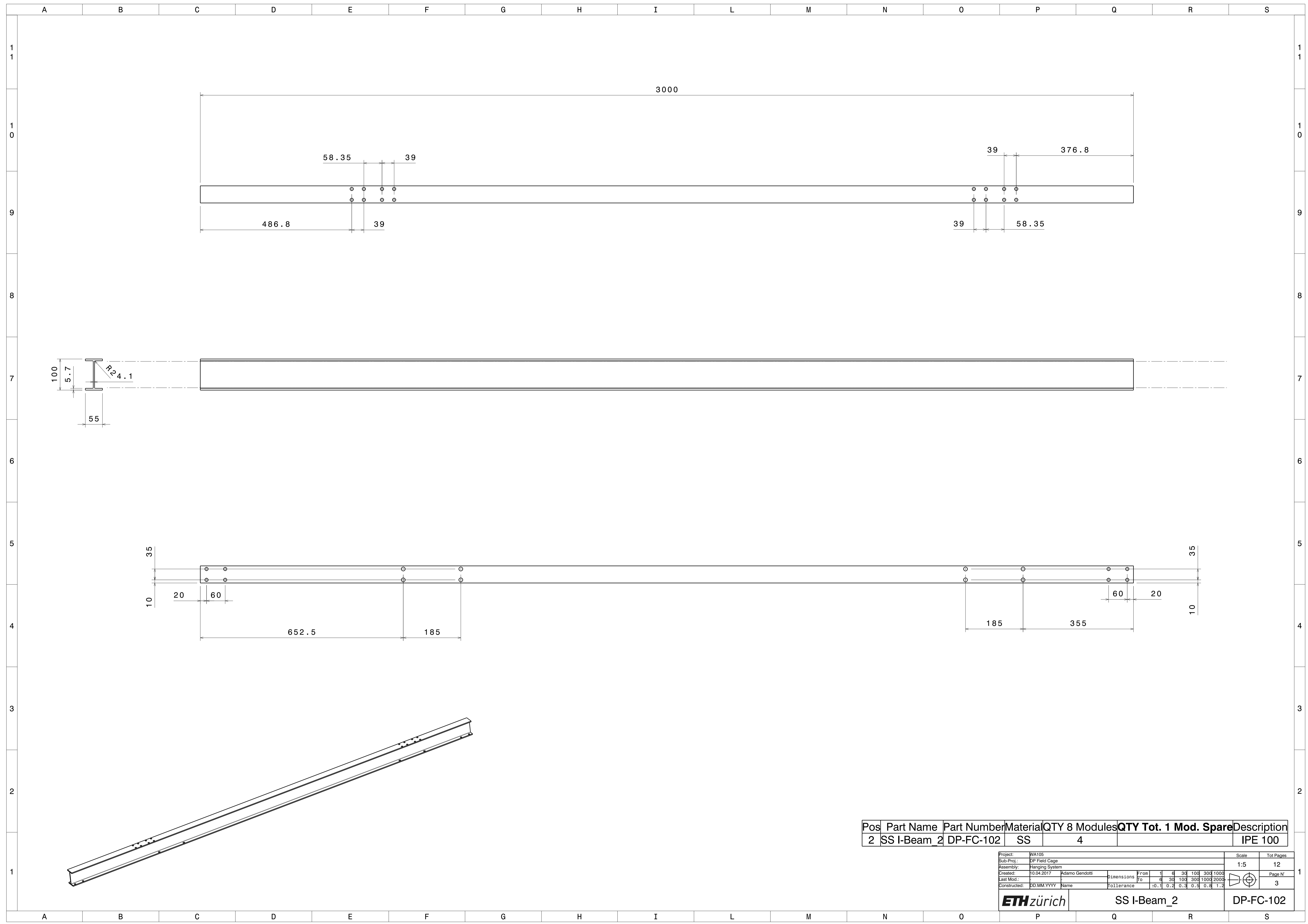
Project:	WA105	Scale:	-	Tot Pages:	12
Sub-Proj.:	DP Field Cage	Created:	10.04.2017	Adamo Gendotti	Page N°
Assembly:	Hanging System	Last Mod.:			1
		Dimensions	From	1	6
			To	30	100
				300	1000
				2000	
		Tolerance		±0.1	0.2
				0.3	0.5
				0.8	1.2



Pos	Part Name	Part Number	Material	QTY 8 Modules	QTY Tot. 1 Mod. Spare	Description
1	SS I-Beam_1	DP-FC-101	SS	4		IPE 100

Project:	WA105	Scale:	1:5	Tot Pages:	12
Sub-Proj.:	DP Field Cage	Assembly:	Hanging System	Created:	10.04.2017
Created:	10.04.2017	Adamo Gendotti	Dimensions	From	1 6 30 100 300 1000
Last Mod.:			To	6 30 100 300 1000 2000	Page N°
Constructed:	DD.MM.YYYY	Name	Tolerance	±0.1 0.2 0.3 0.5 0.8 1.2	2

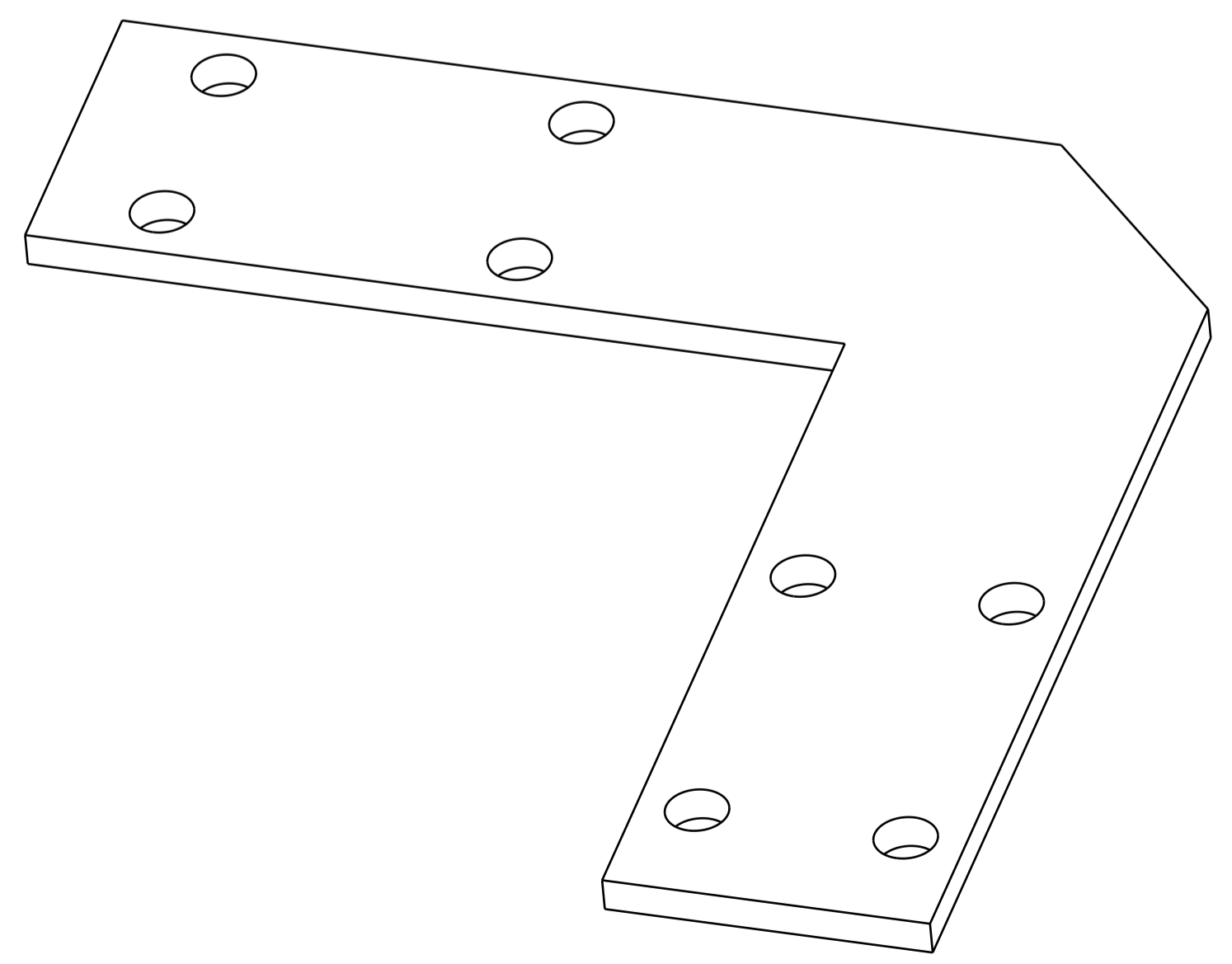
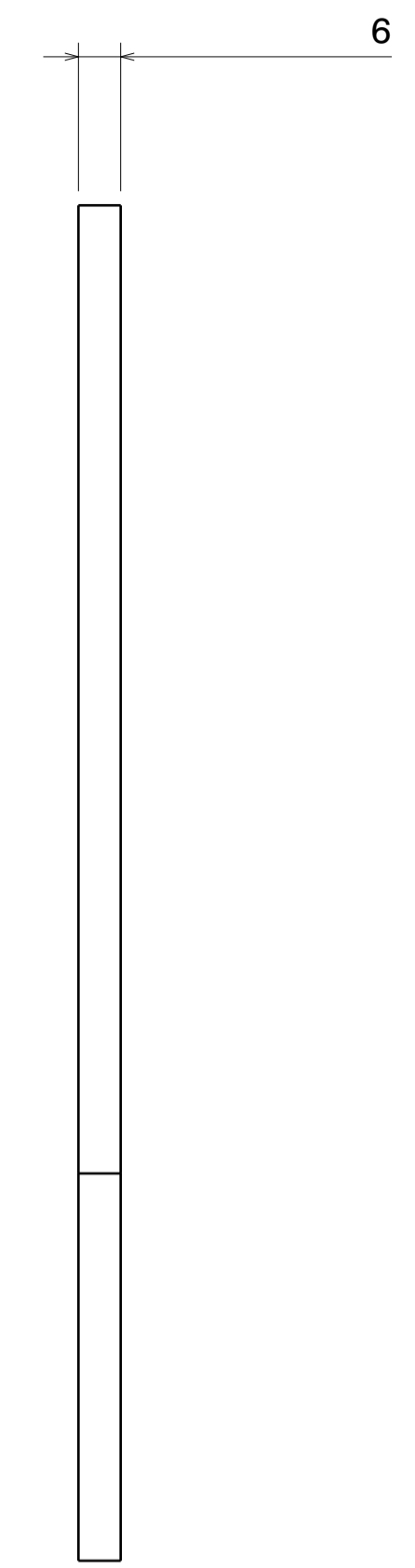
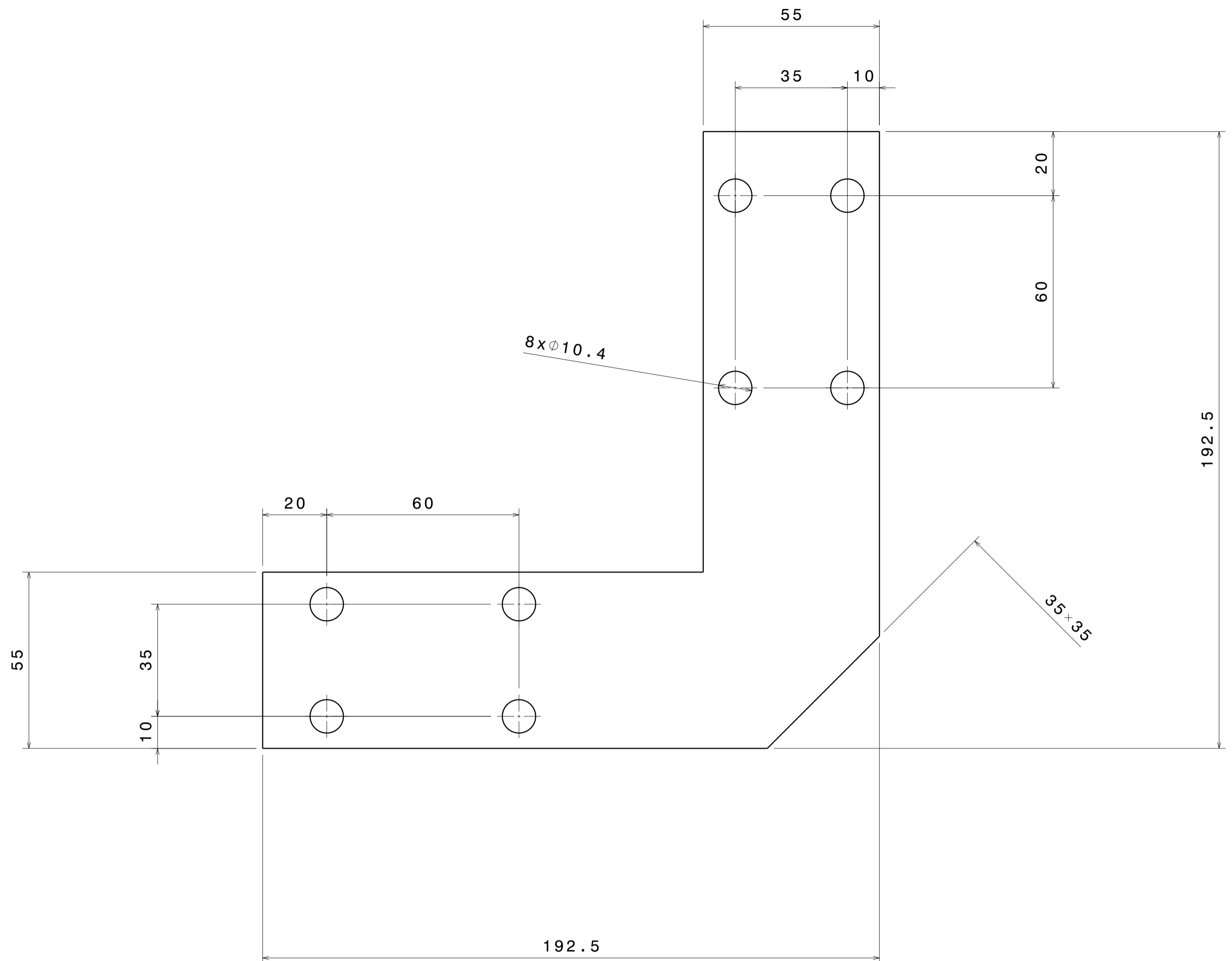
**ETH** zürich SS I-Beam\_1 DP-FC-101



Pos	Part Name	Part Number	Material	QTY 8 Modules	QTY Tot. 1 Mod. Spare	Description
2	SS I-Beam 2	DP-FC-102	SS	4		IPE 100

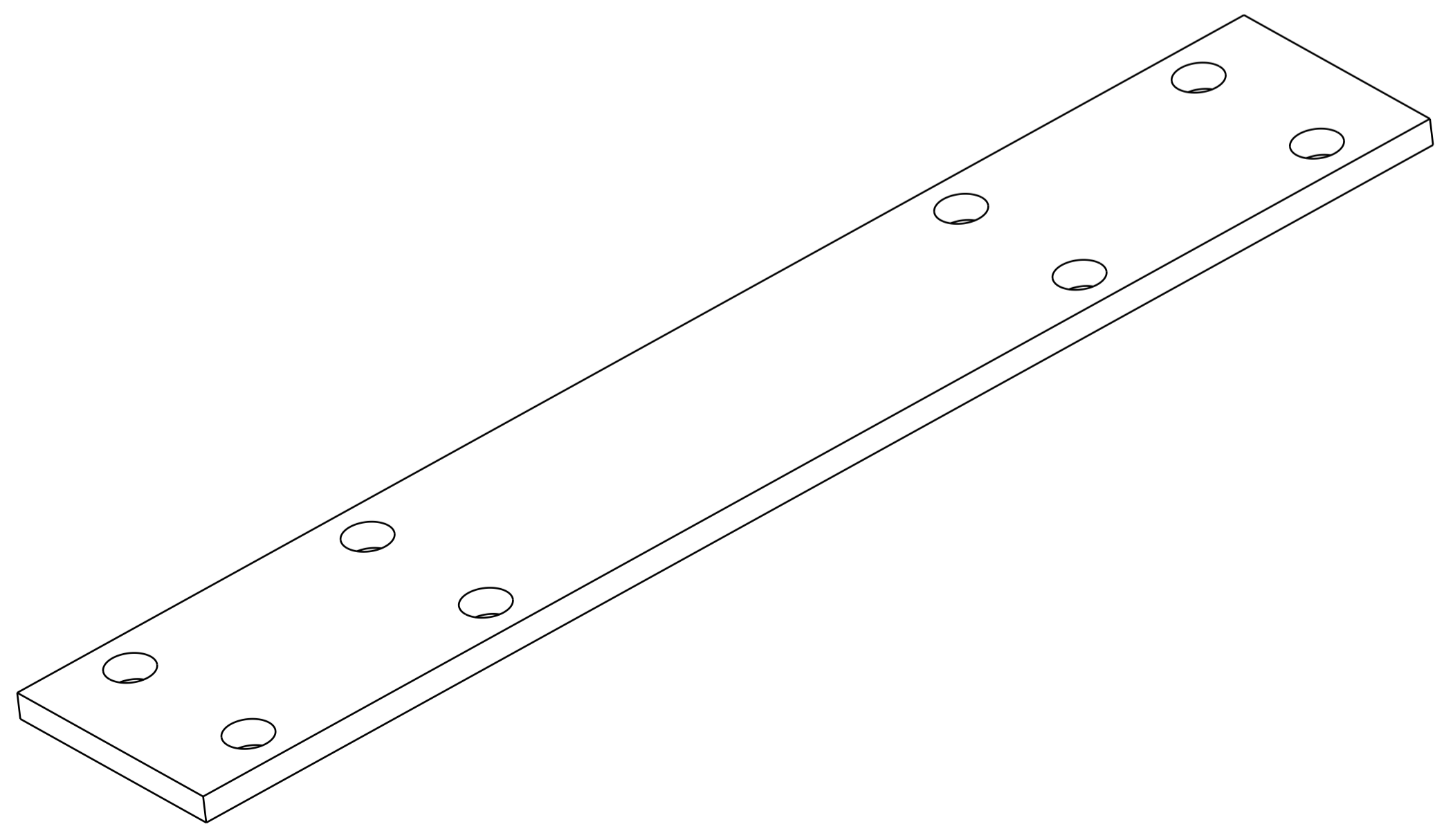
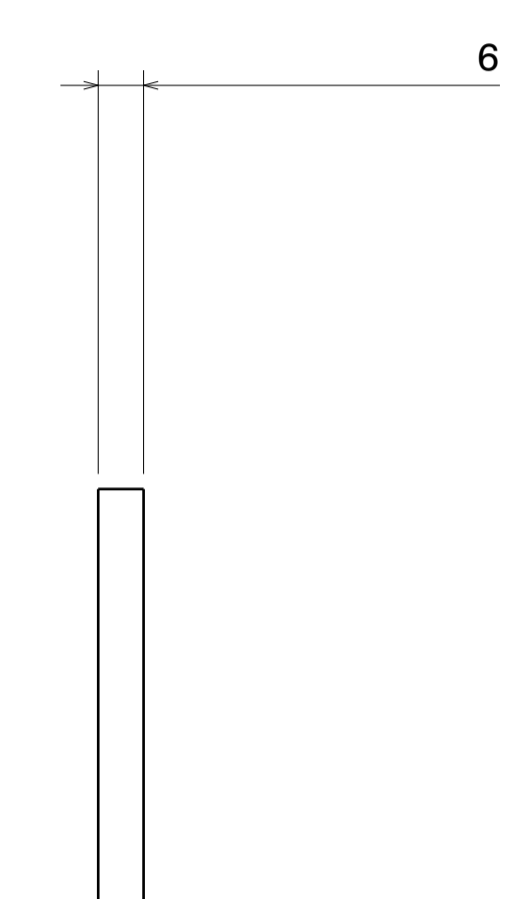
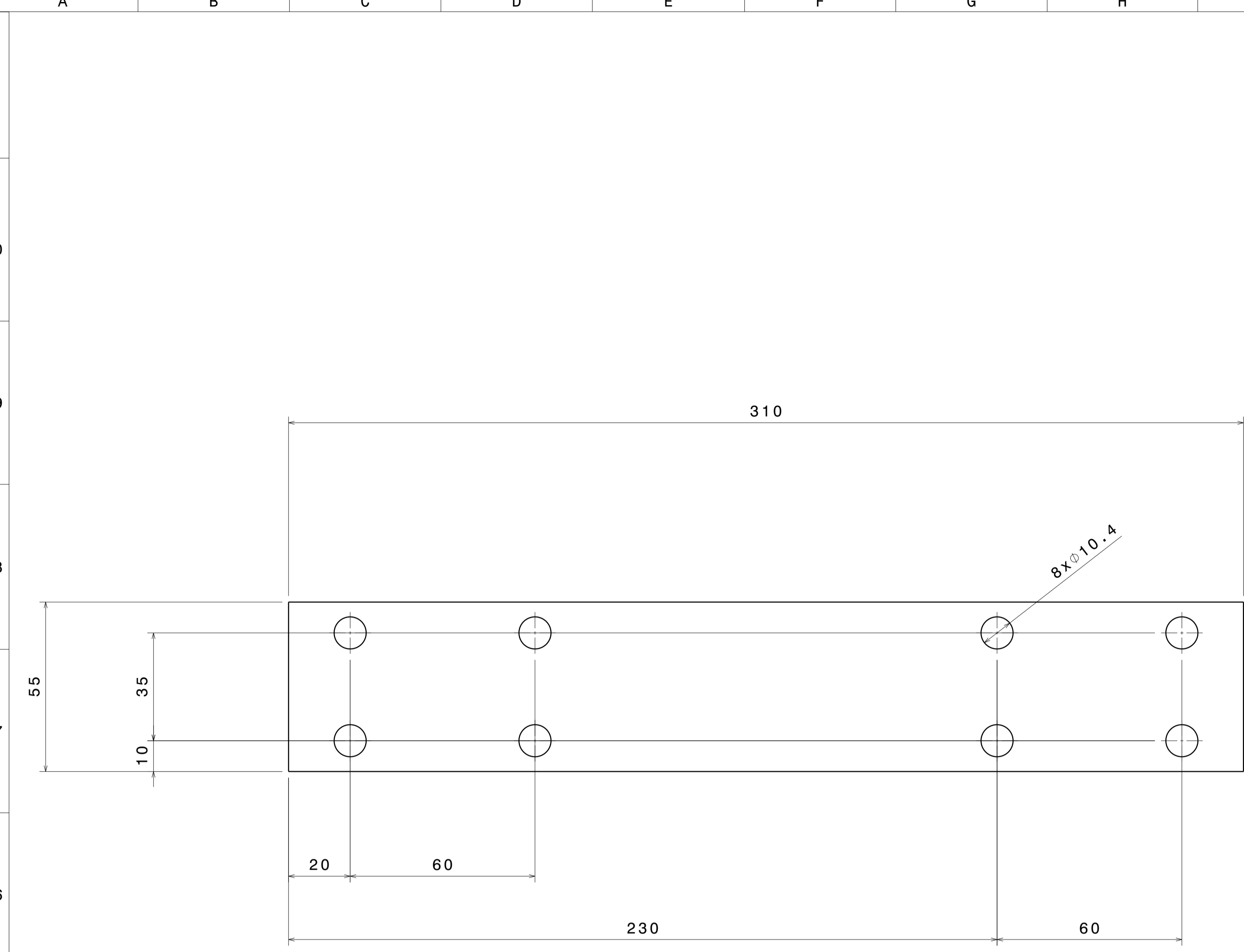
Project: WA105		Scale: 1:5		Tot Pages: 12	
Sub-Proj.: DP Field Cage					
Assembly: Hanging System					
Created: 10.04.2017	Adamo Gendotti	Dimensions	From 1 6 30 100 300 1000	Page N° 3	
Last Mod.:			To 6 30 100 300 1000 2000		
Constructed: DD.MM.YYYY	Name	Tolerance	±0.1 0.2 0.3 0.5 0.8 1.2		

**ETH zürich** SS I-Beam\_2 DP-FC-102



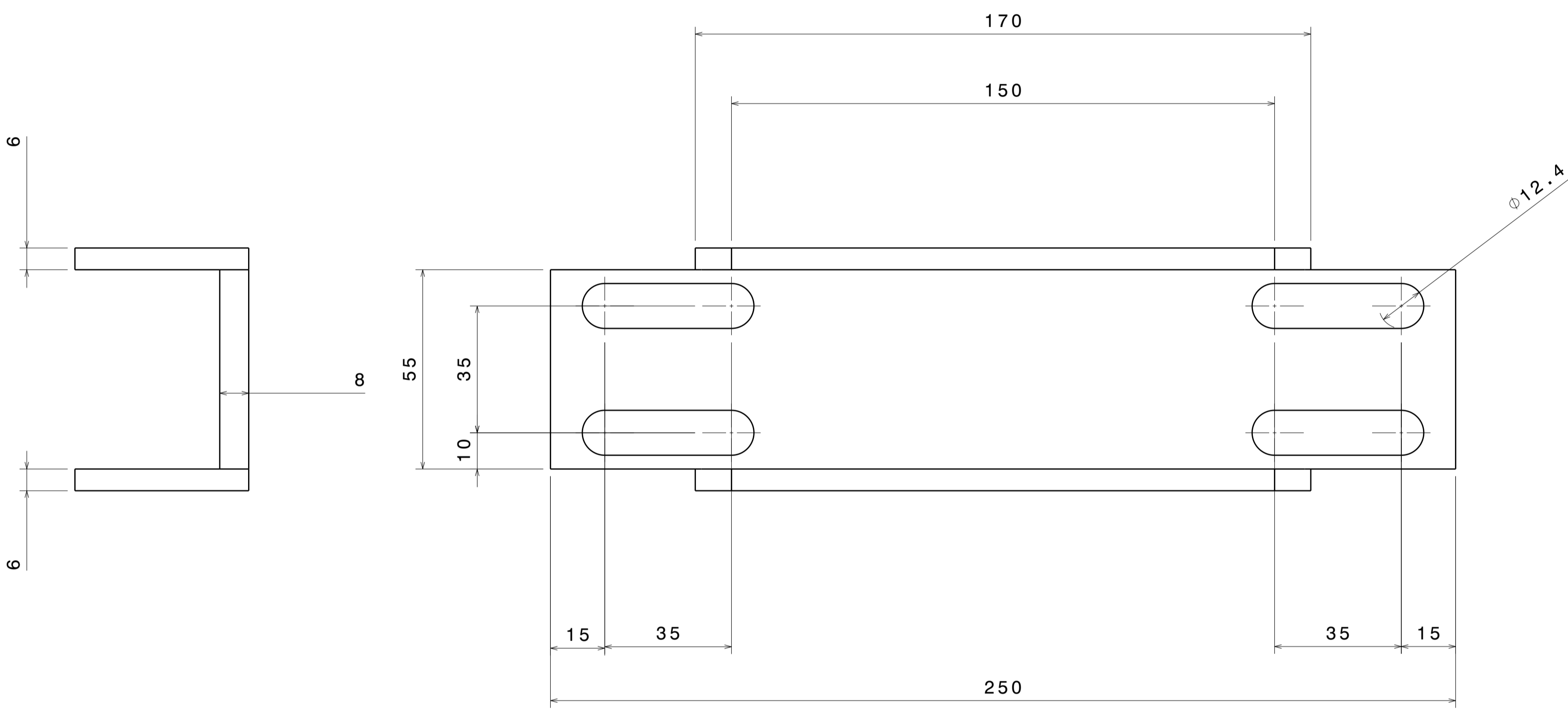
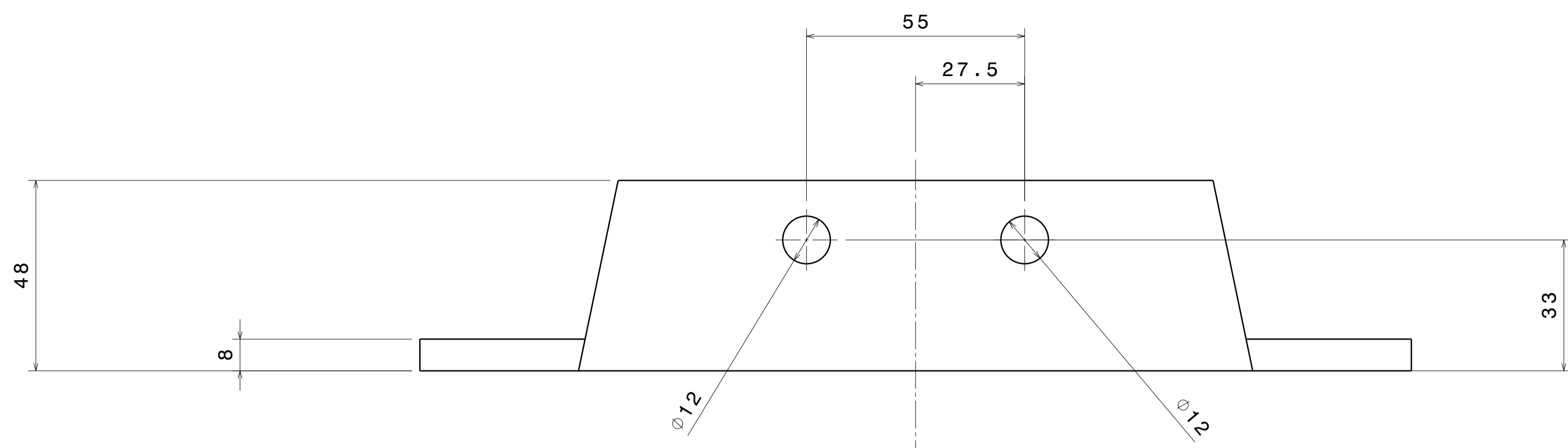
Pos	Part Name	Part Number	Material	QTY 8 Modules	QTY Tot. 1 Mod. Spare	Description
3	Corner Fixing Reinforce	DP-FC-103	SS	4		

Project: WA105		Scale: 1:1		Tot Pages: 12	
Sub-Proj.: DP Field Cage					
Assembly: Hanging System					
Created: 10.04.2017	Adamo Gendotti	Dimensions	From 1 6 30 100 300 1000	Page N° 4	
Last Mod.:		To 6 30 100 300 1000 2000			
Constructed: DD.MM.YYYY	Name	Tolerance	±0.1 0.2 0.3 0.5 0.8 1.2		

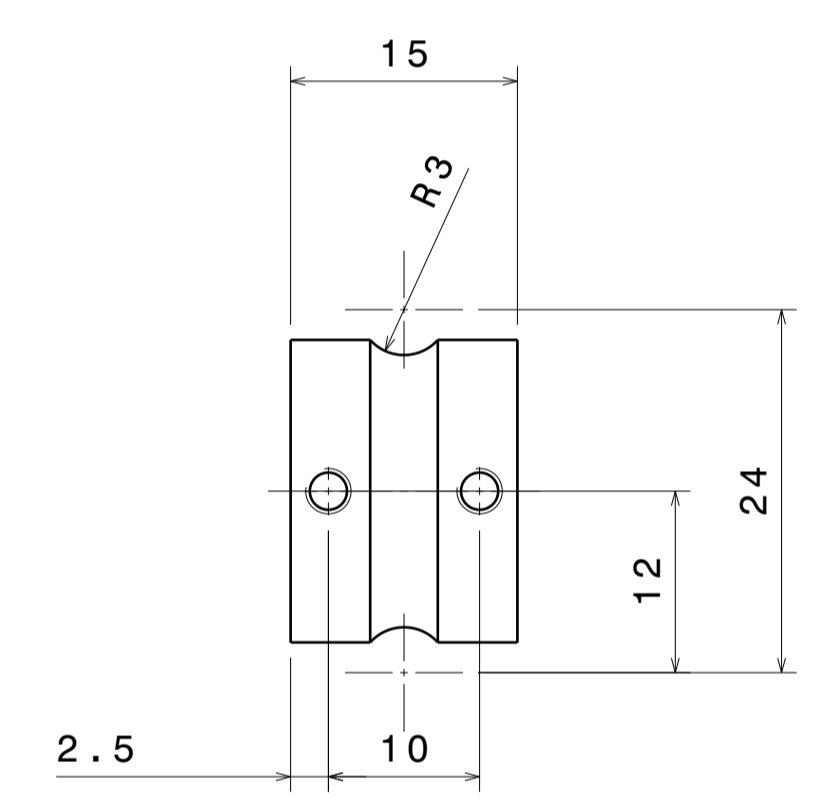
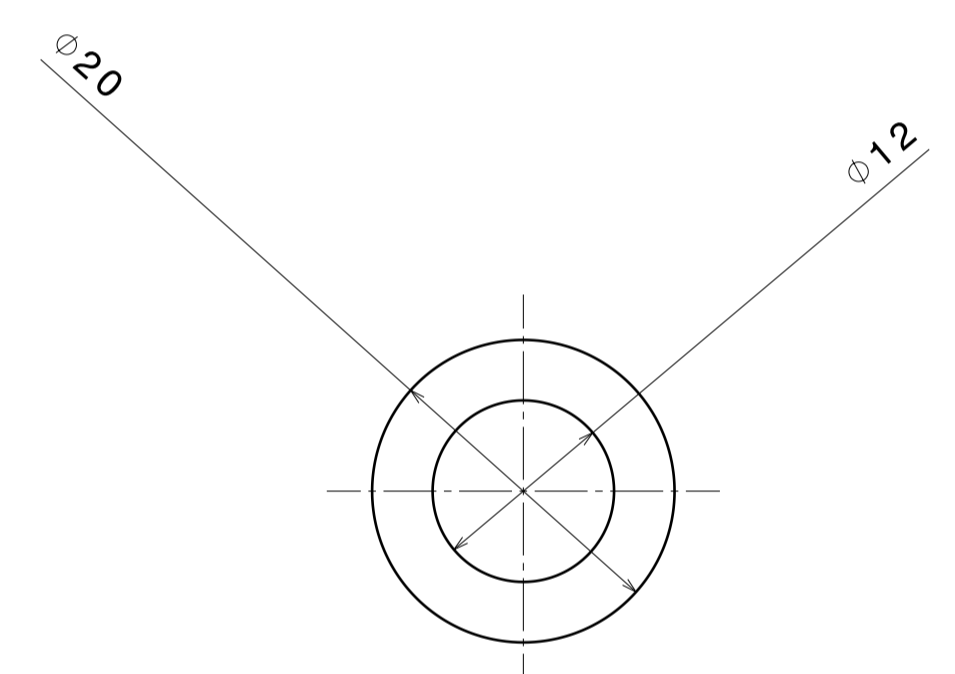


Pos	Part Name	Part Number	Material	QTY 8 Modules	QTY Tot. 1 Mod. Spare	Description
4	Straight Fixing Reinforce	DP-FC-104	SS	4		

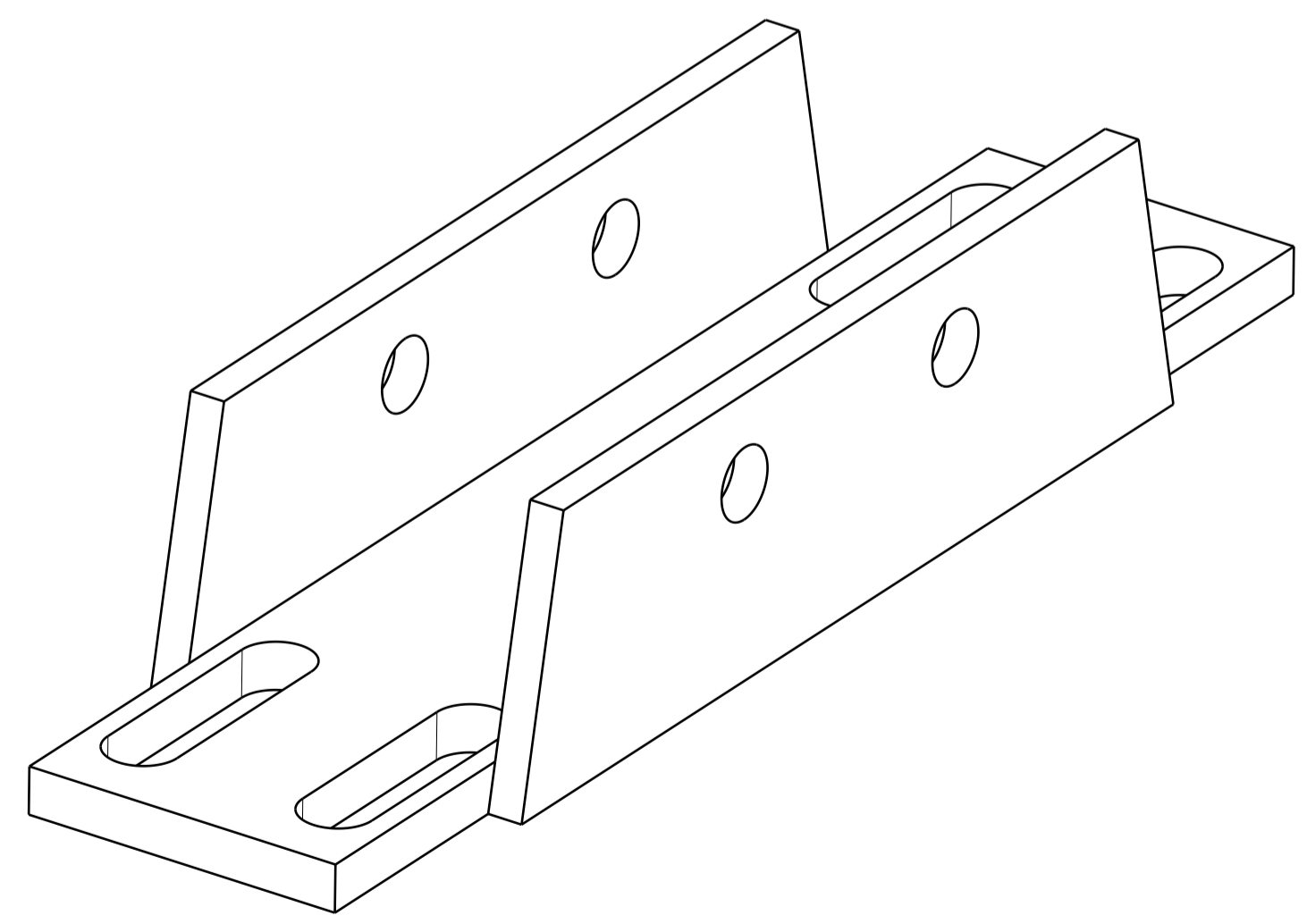
Project: WA105		Scale: 1:1		Tot Pages: 12						
Sub-Proj.: DP Field Cage										
Assembly: Hanging System										
Created: 10.04.2017	Adamo Gendotti	Dimensions	From	1	6	30	100	300	1000	Page N°
Last Mod.:		To	6	30	100	300	1000	2000		5
Constructed: DD.MM.YYYY	Name	Tolerance	±0.1	0.2	0.3	0.5	0.8	1.2		
<b>ETH zürich</b>		Straight Fixing Reinforce				DP-FC-104				



2x Main Body



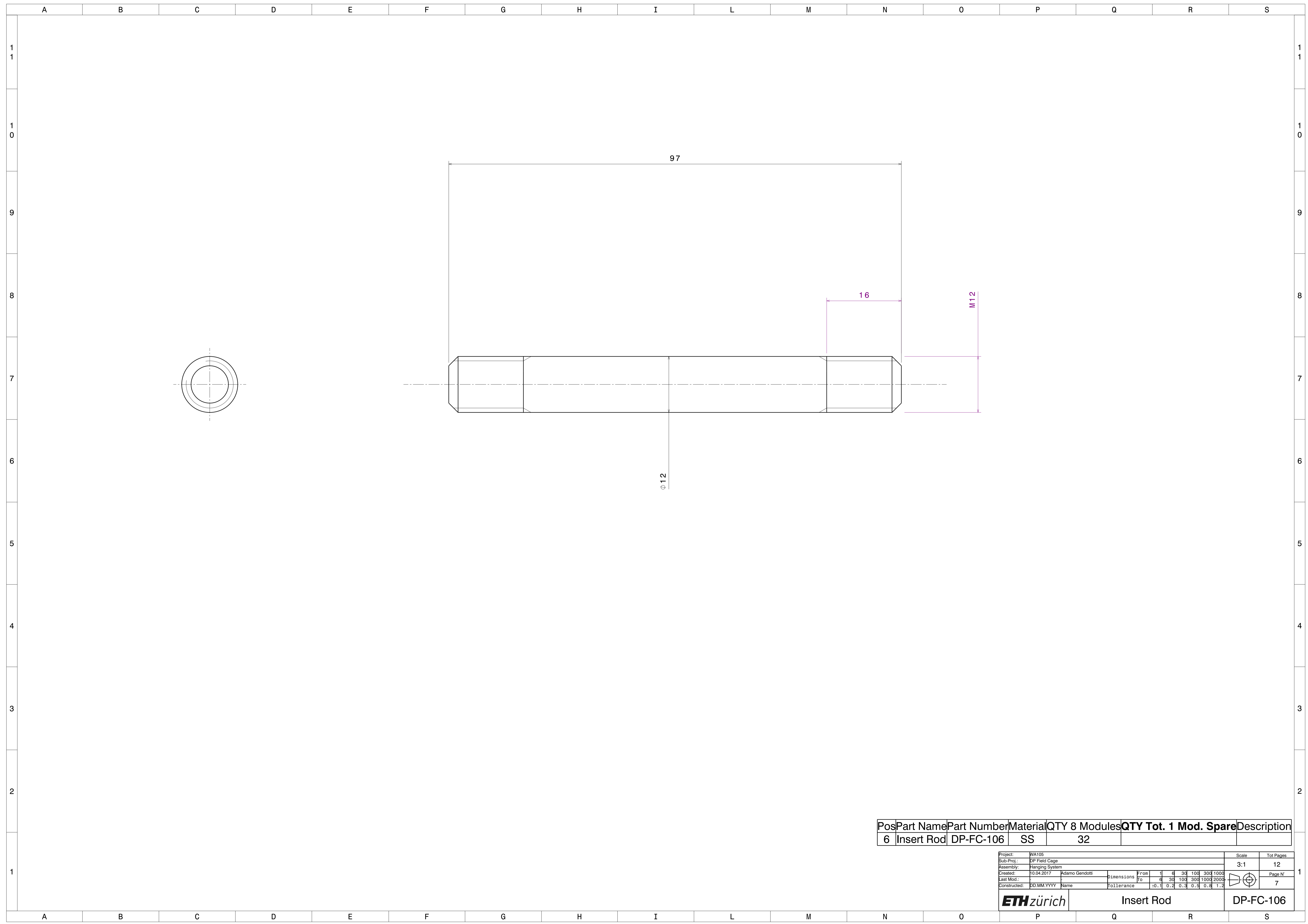
2x Main Body



Pos	Part Name	Part Number	Material	QTY 8 Modules	QTY Tot. 1 Mod. Spare	Description
5	Hanging Main Body	DP-FC-105	SS	16		

Project: WA105	Scale: 1:1 (2:1)	Tot Pages: 12
Sub-Proj.: DP Field Cage		
Assembly: Hanging System		
Created: 10.04.2017 Adamo Gendotti	Dimensions: From 1 6 30 100 300 1000	Page N°: 6
Last Mod.: -	To 6 30 100 300 1000 2000	
Constructed: DD.MM.YYYY Name	Tolerance: ±0.1 0.2 0.3 0.5 0.8 1.2	

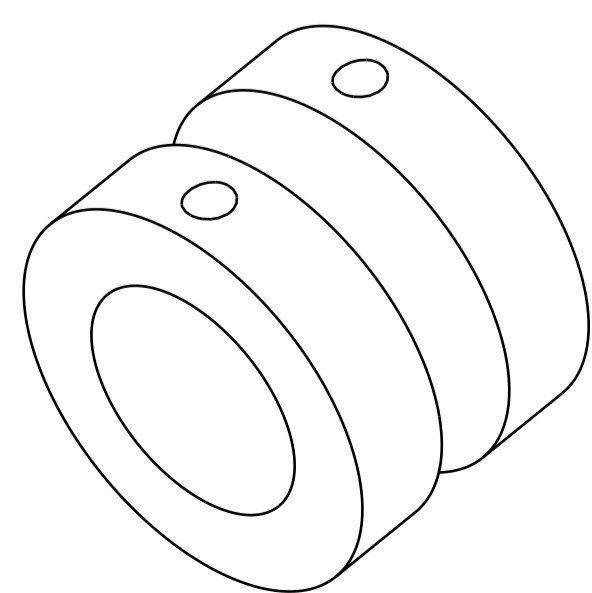
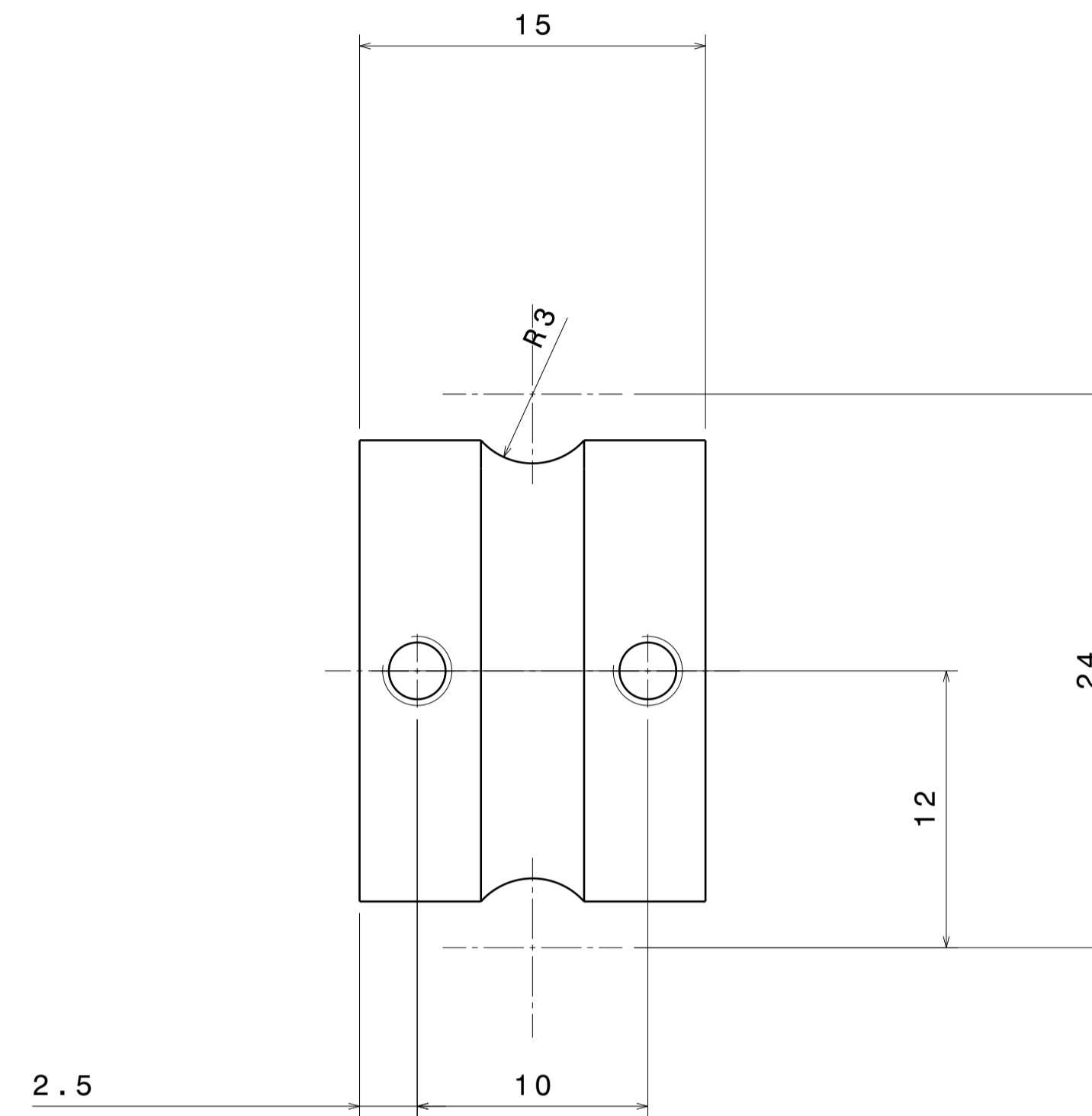
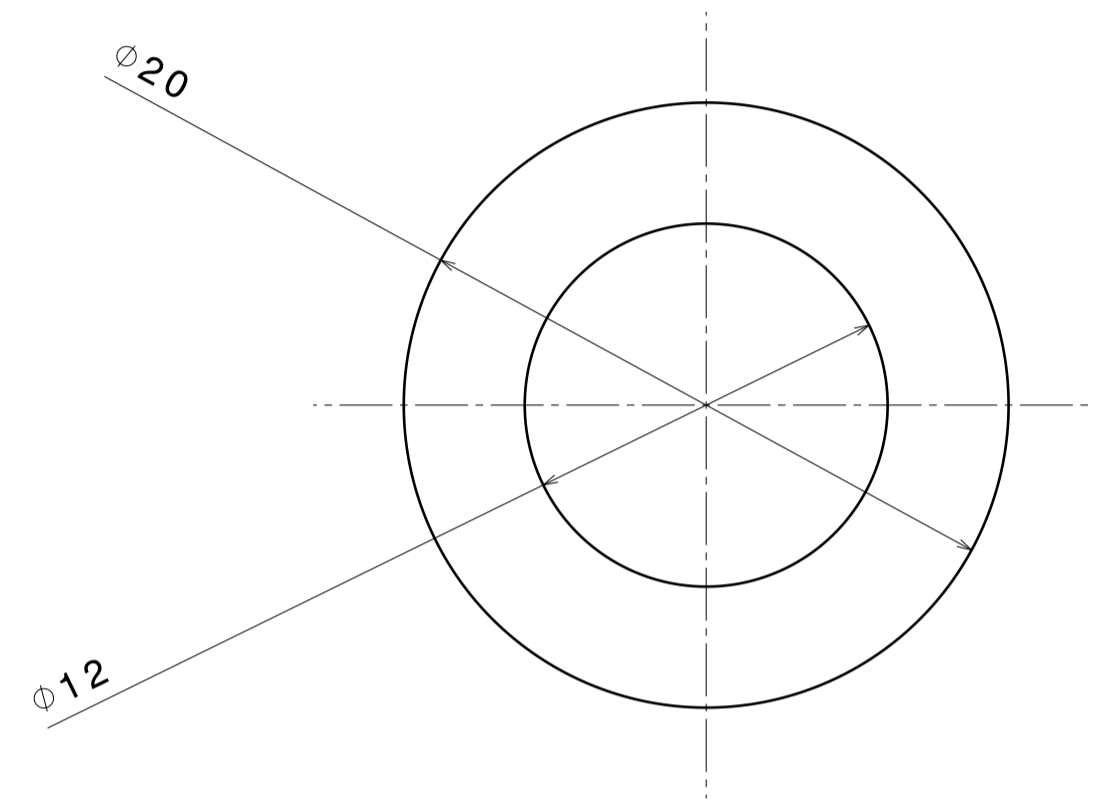
<b>ETH</b> zürich	Hanging Main Body	DP-FC-105
-------------------	-------------------	-----------



Pos	Part Name	Part Number	Material	QTY 8 Modules	QTY Tot. 1 Mod. Spare	Description
6	Insert Rod	DP-FC-106	SS	32		

Project: WA105		Scale: 3:1		Tot Pages: 12	
Sub-Proj.: DP Field Cage					
Assembly: Hanging System					
Created: 10.04.2017	Adamo Gendotti	Dimensions	From	1	6
Last Mod.:			To	6	30
Constructed: DD.MM.YYYY	Name	Tolerance		±0.1	0.2
				0.3	0.8
				1.2	

<b>ETH</b> zürich	Insert Rod	DP-FC-106
-------------------	------------	-----------

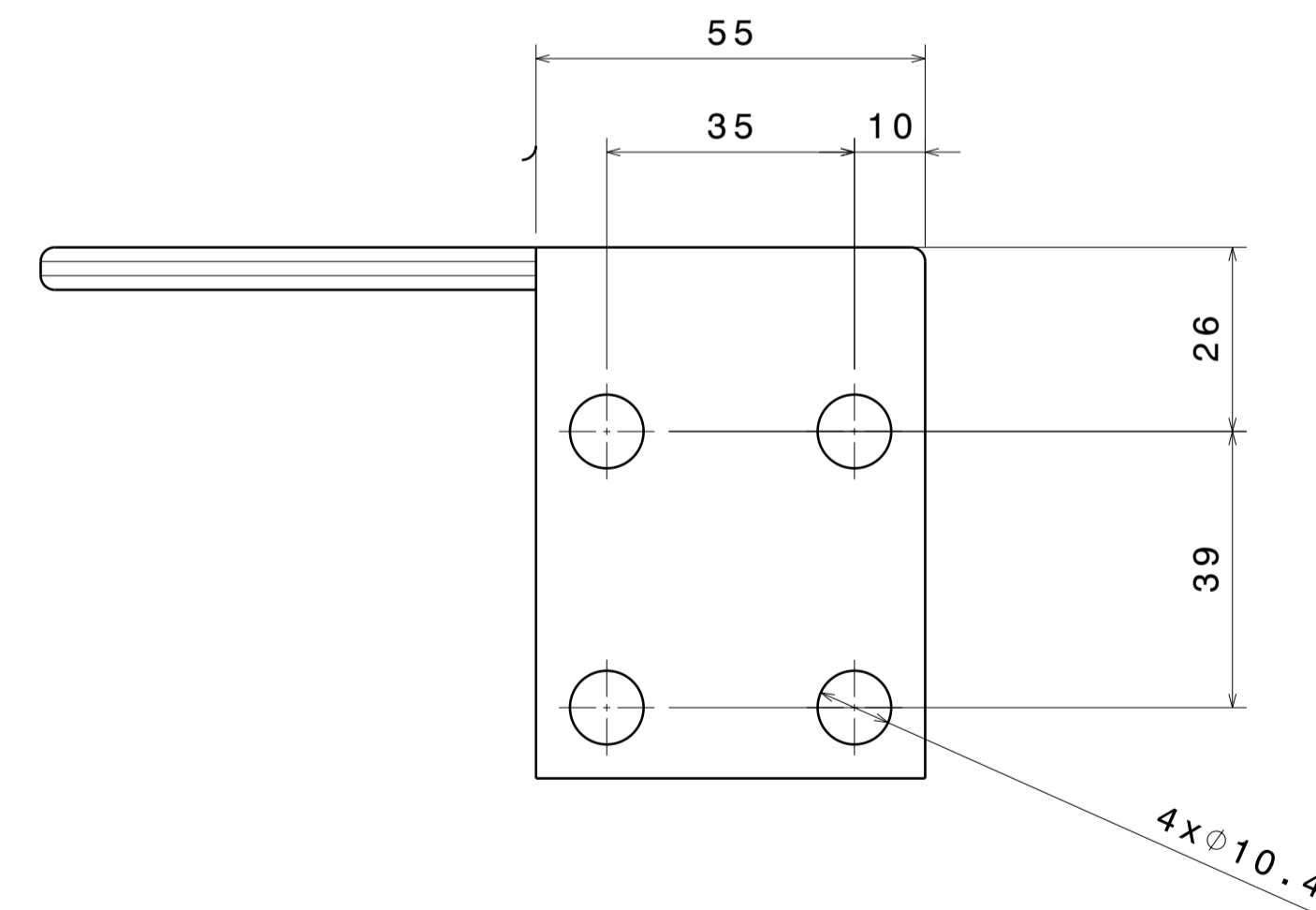
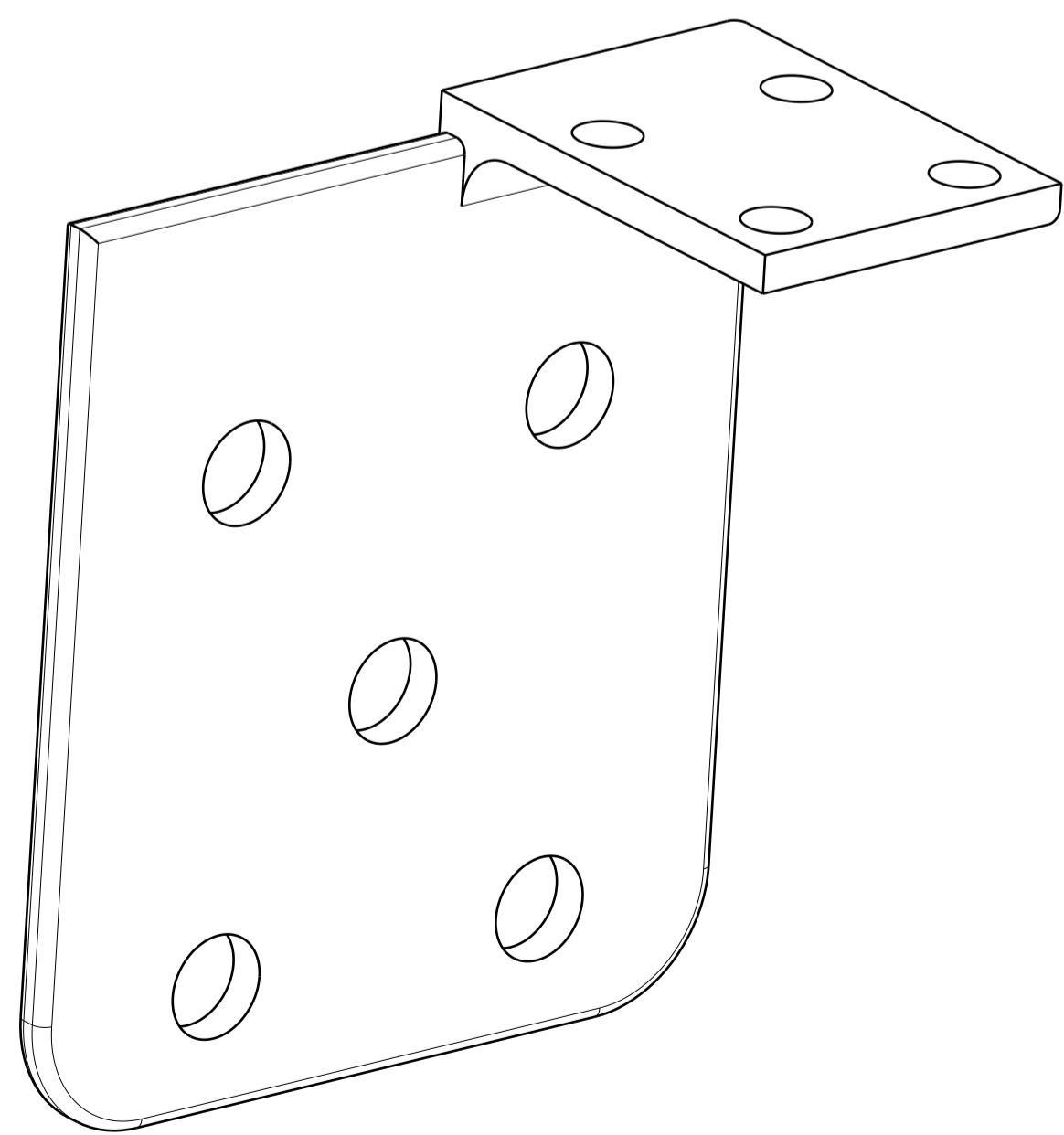
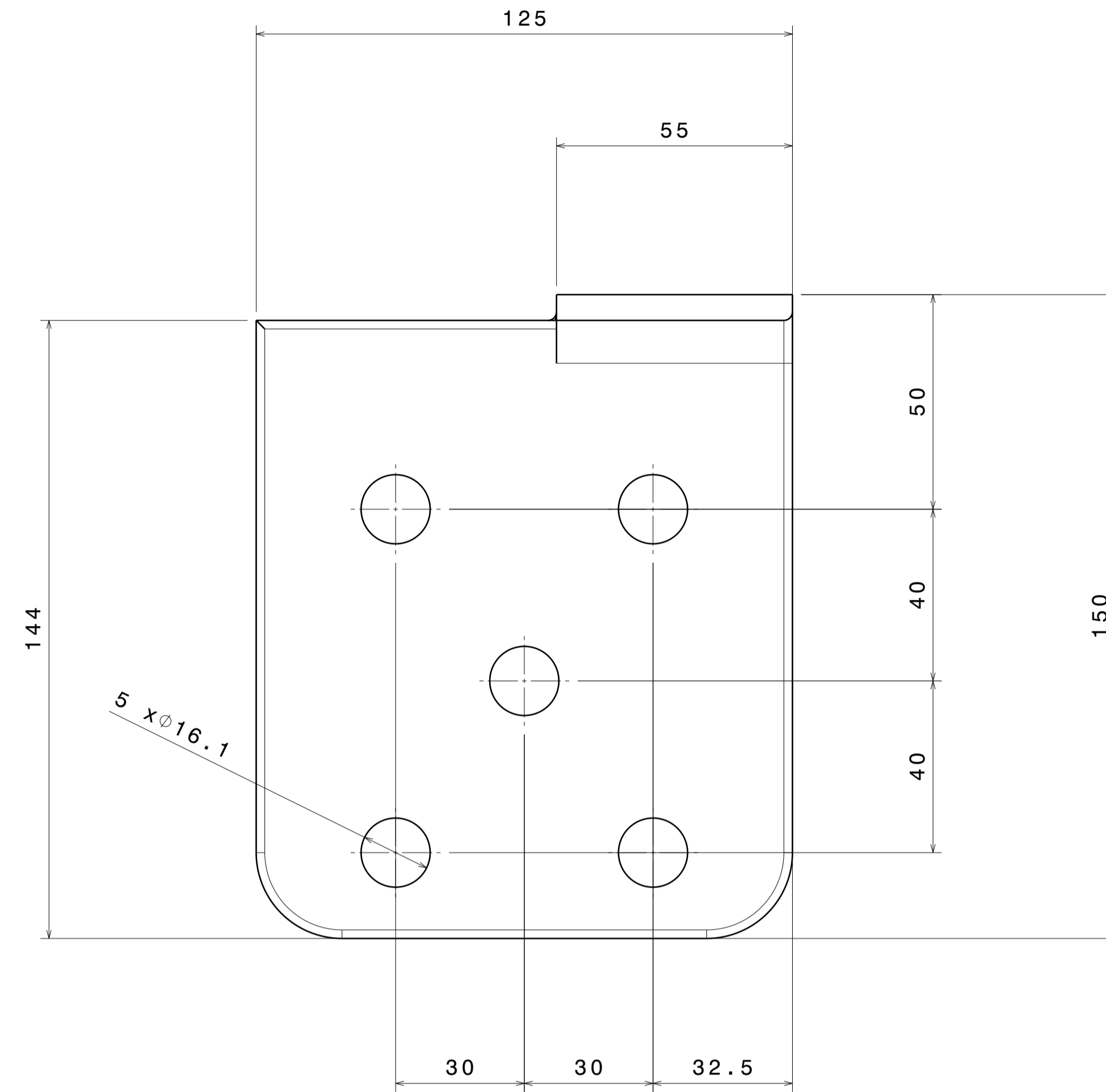
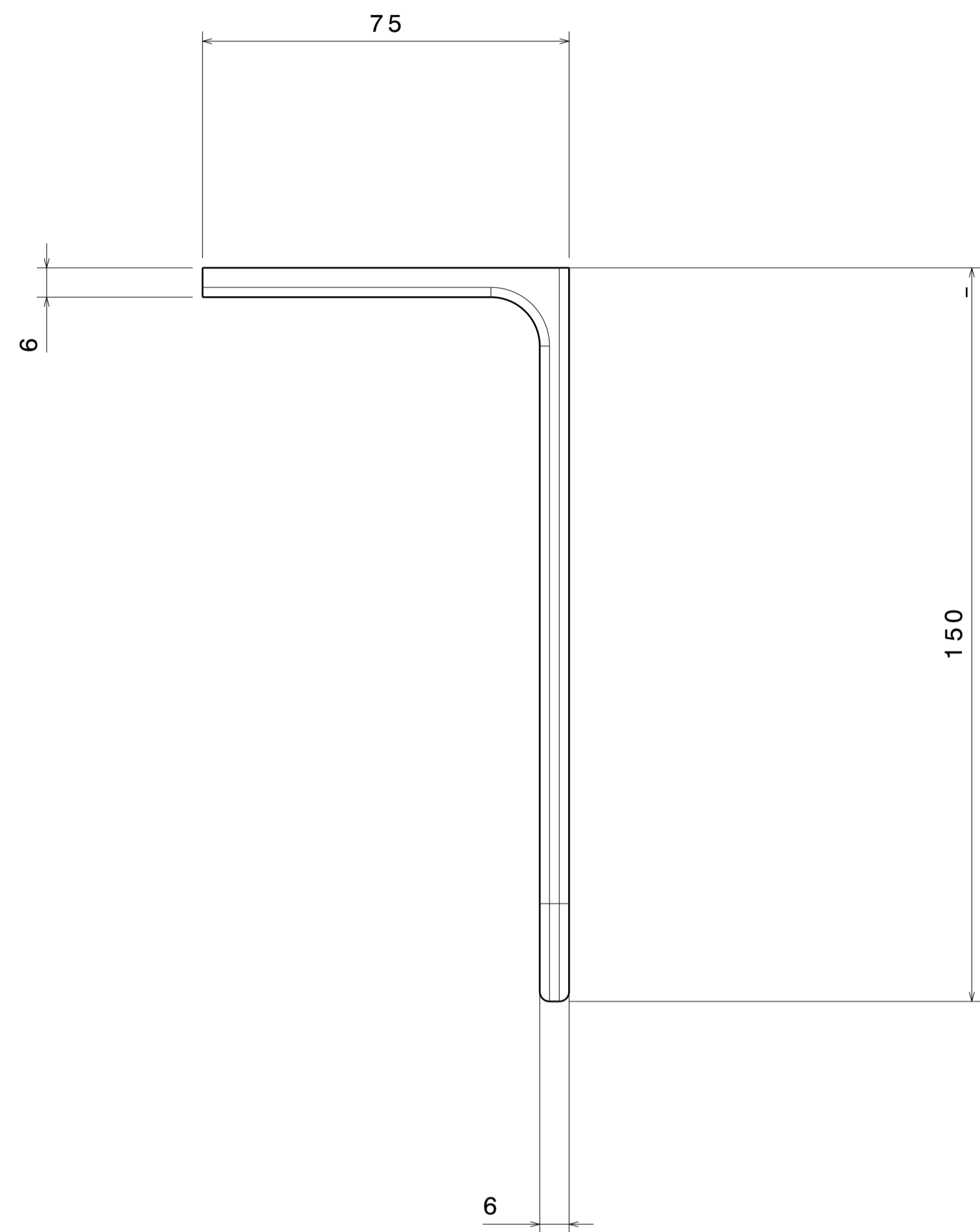


Pos	Part Name	Part Number	Material	QTY 8 Modules	QTY Tot. 1 Mod. Spare	Description
7	Wire Regulating Cylinder	DP-FC-107	SS	32		

Project: WA105		Scale: 4:1		Tot Pages: 12						
Sub-Proj.: DP Field Cage										
Assembly: Hanging System										
Created: 10.04.2017	Adamo Gendotti	Dimensions	From	1	6	30	100	300	1000	Page N°
Last Mod.:		To	6	30	100	300	1000	2000		8
Constructed: DD.MM.YYYY	Name	Tolerance		±0.1	0.2	0.3	0.5	0.8	1.2	

<b>ETH</b> zürich	Wire Regulating Cylinder	DP-FC-107
-------------------	--------------------------	-----------

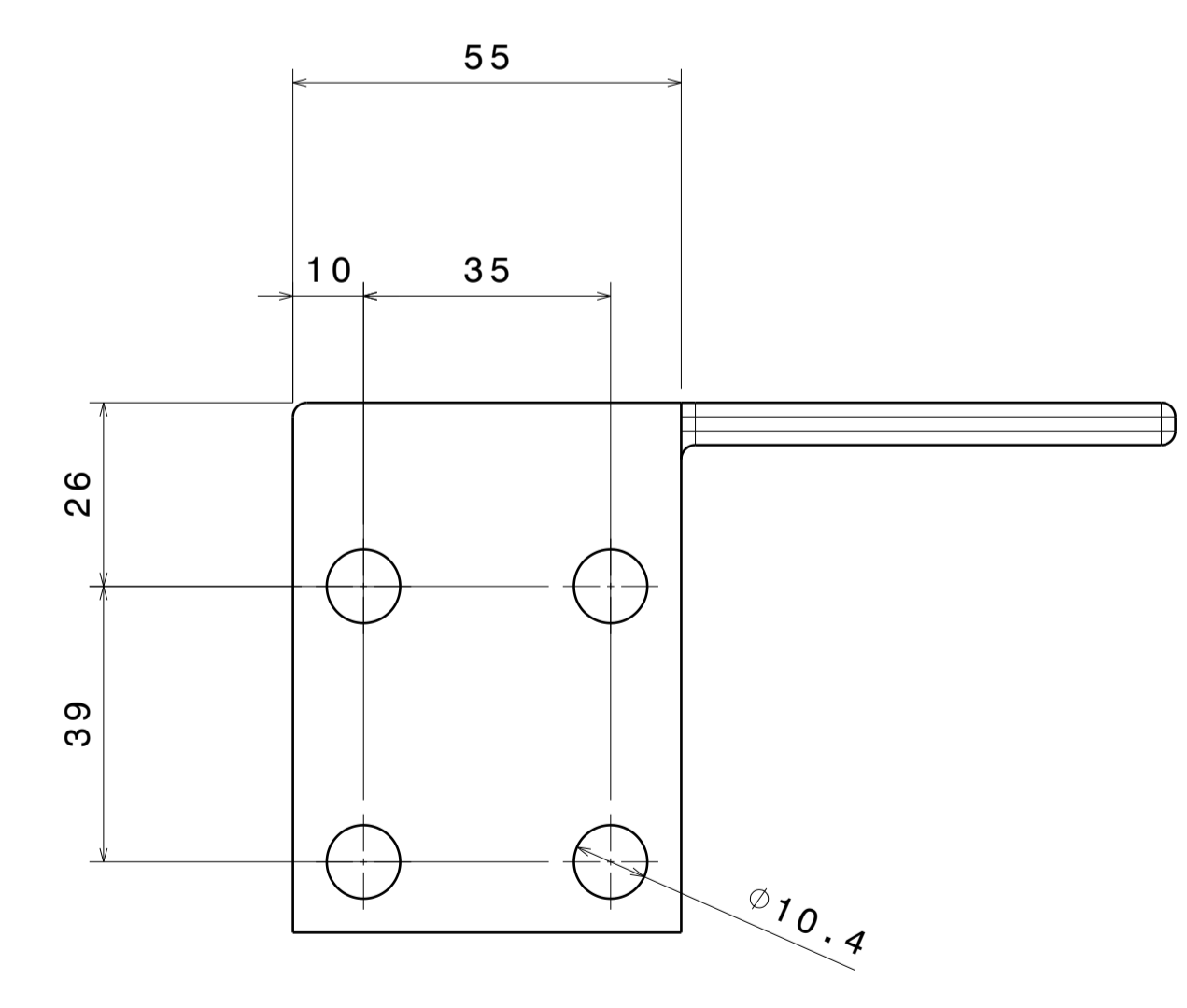
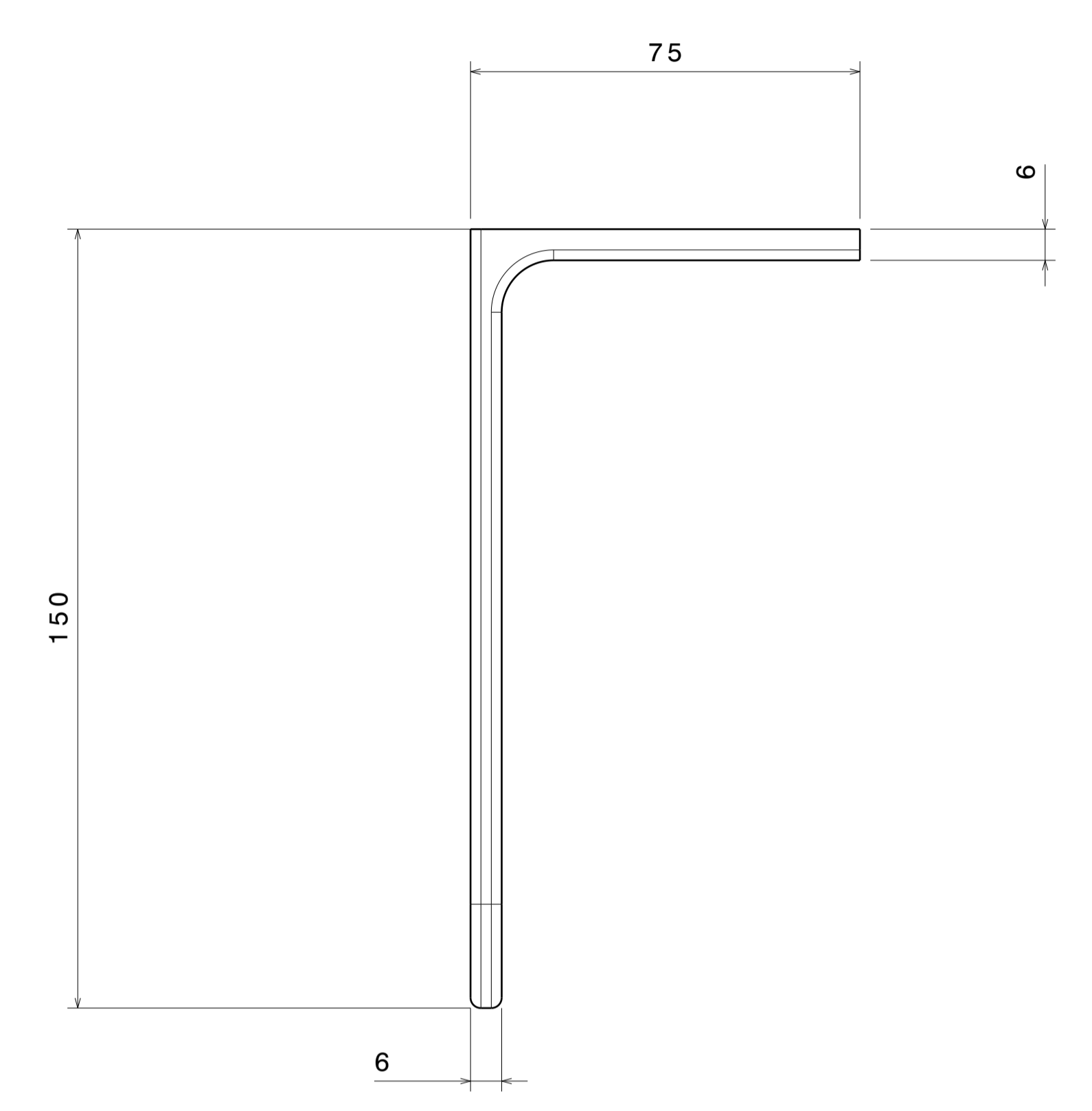
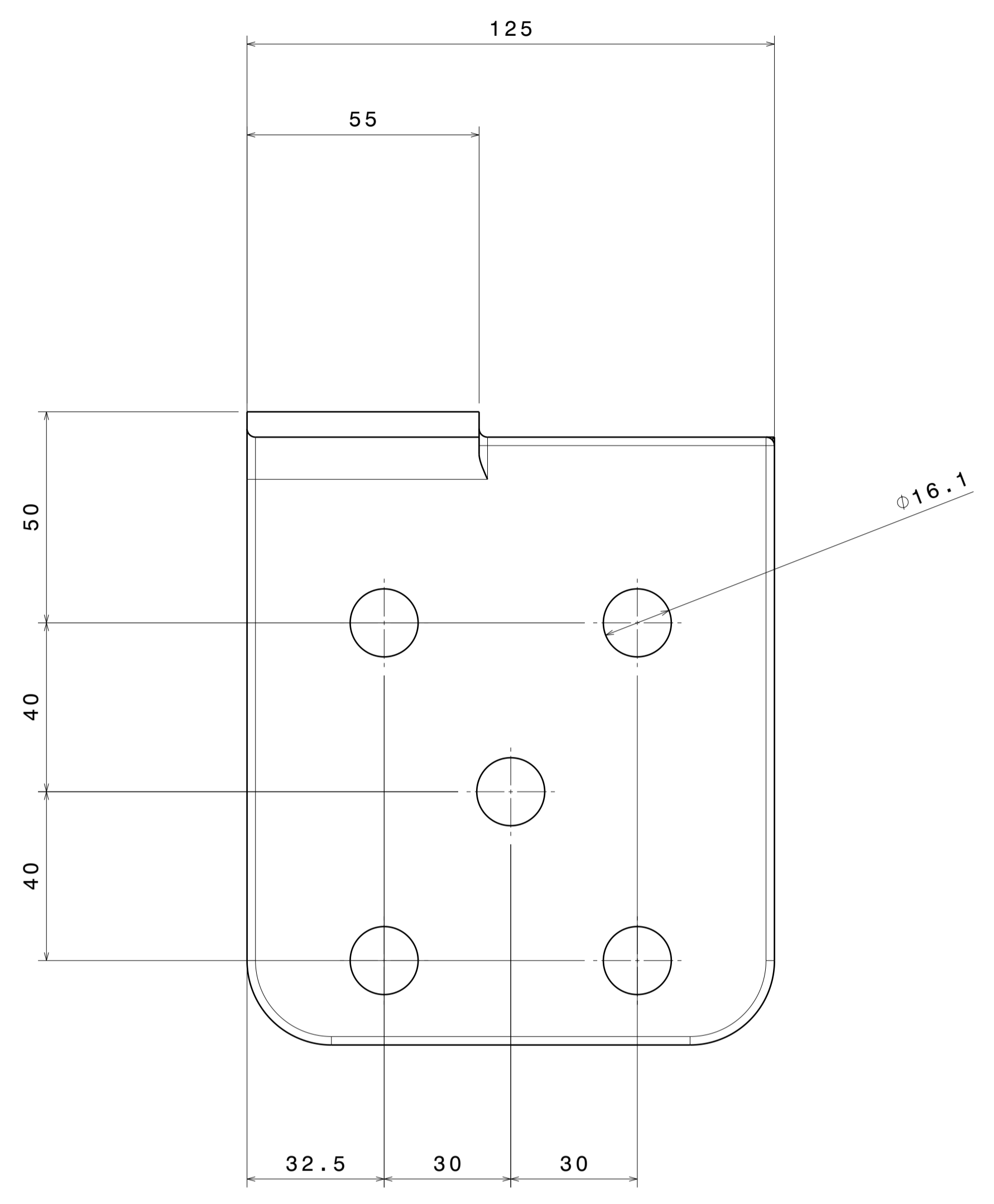




Pos	Part Name	Part Number	Material	QTY 8 Modules	QTY Tot. 1 Mod. Spare	Description
8	Left L-Profile	DP-FC-108	SS	8		

Project:	WA105	Scale:	-	Tot Pages:	12
Sub-Proj.:	DP Field Cage	Page N°:	9		
Assembly:	Hanging System				
Created:	10.04.2017 Adamo Gendotti	Dimensions	From 1 6 30 100 300 1000		
Last Mod.:		To	6 30 100 300 1000 2000		
Constructed:	DD.MM.YYYY Name	Tolerance	±0.1 0.2 0.3 0.5 0.8 1.2		

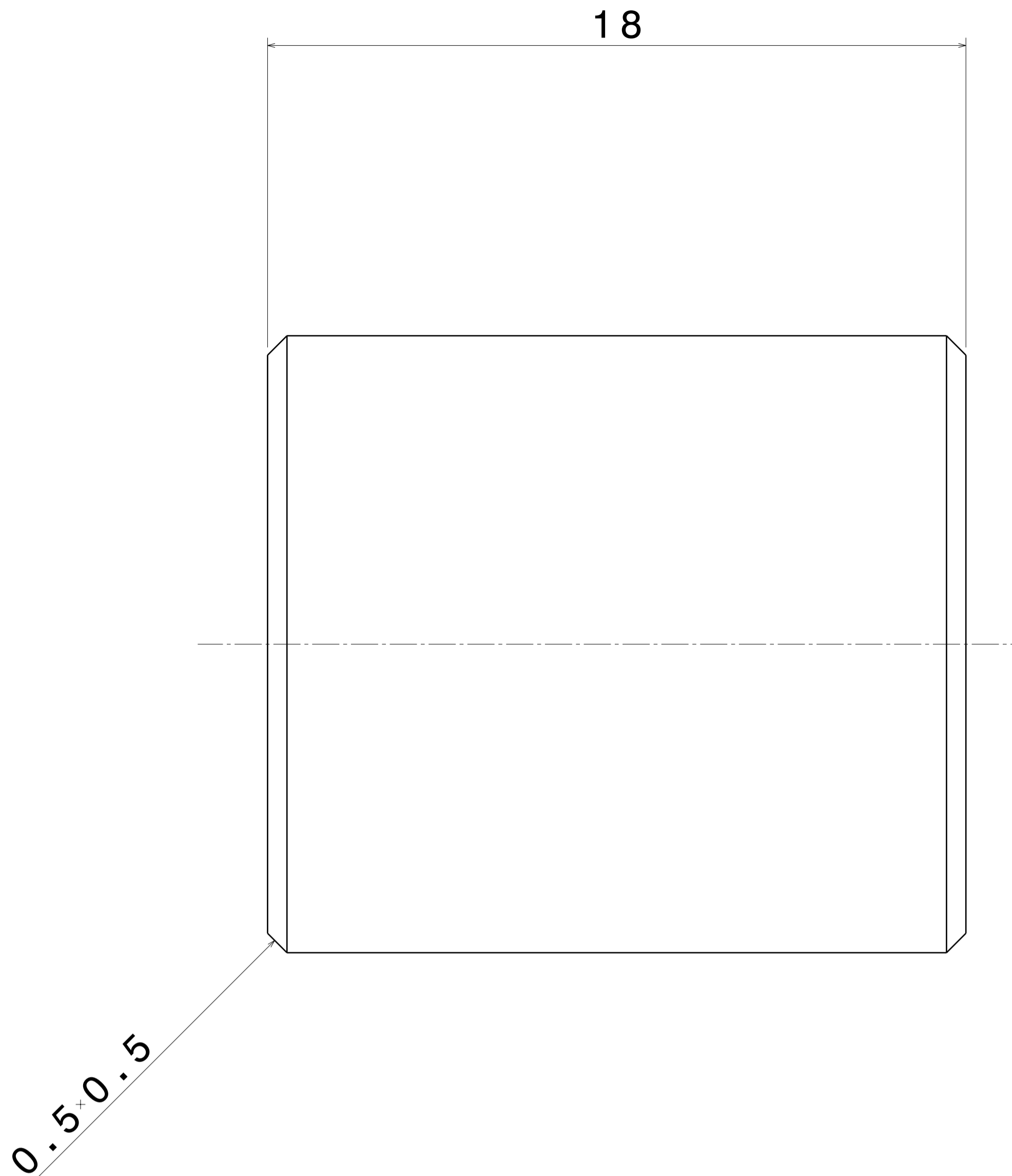
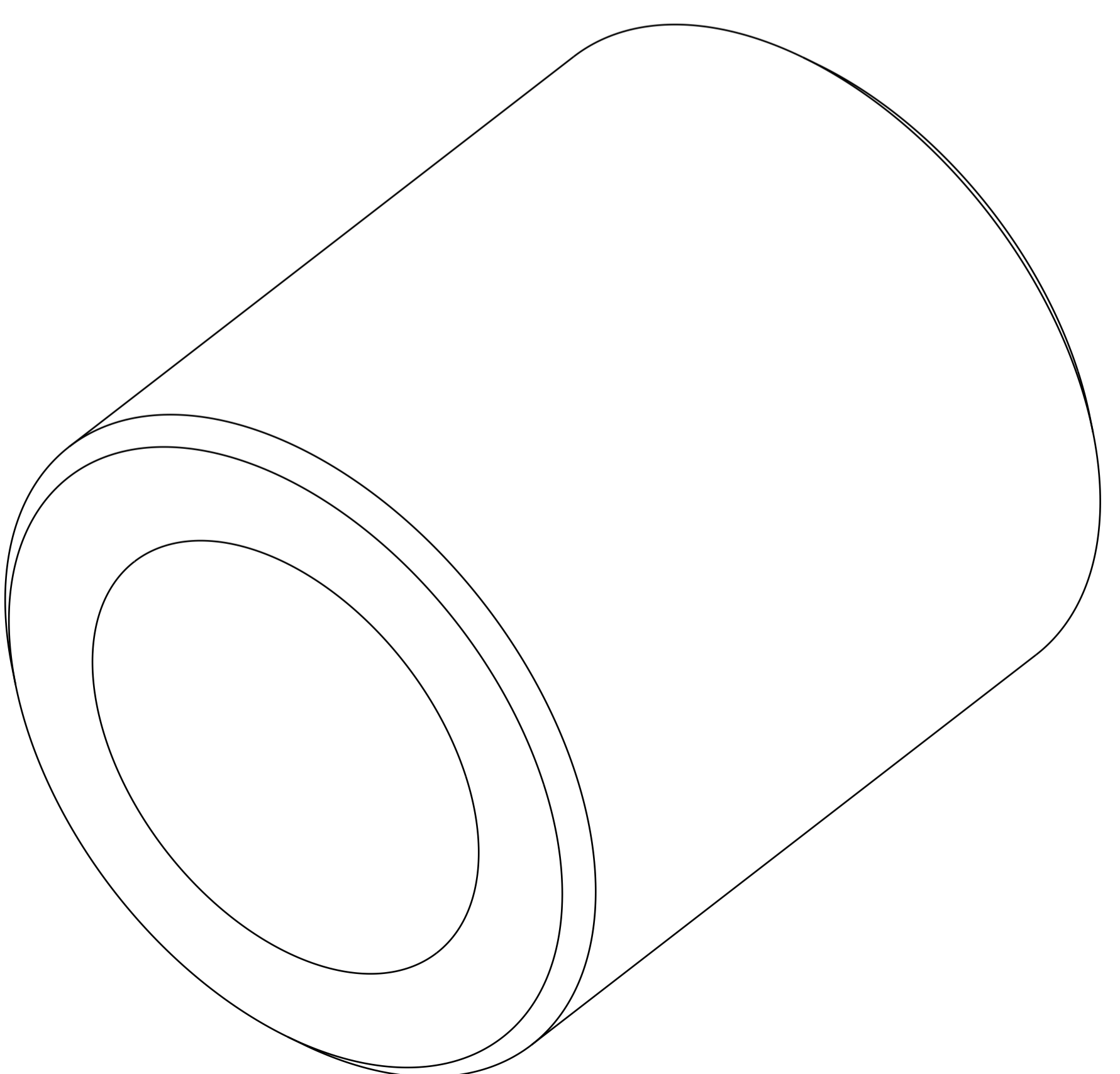
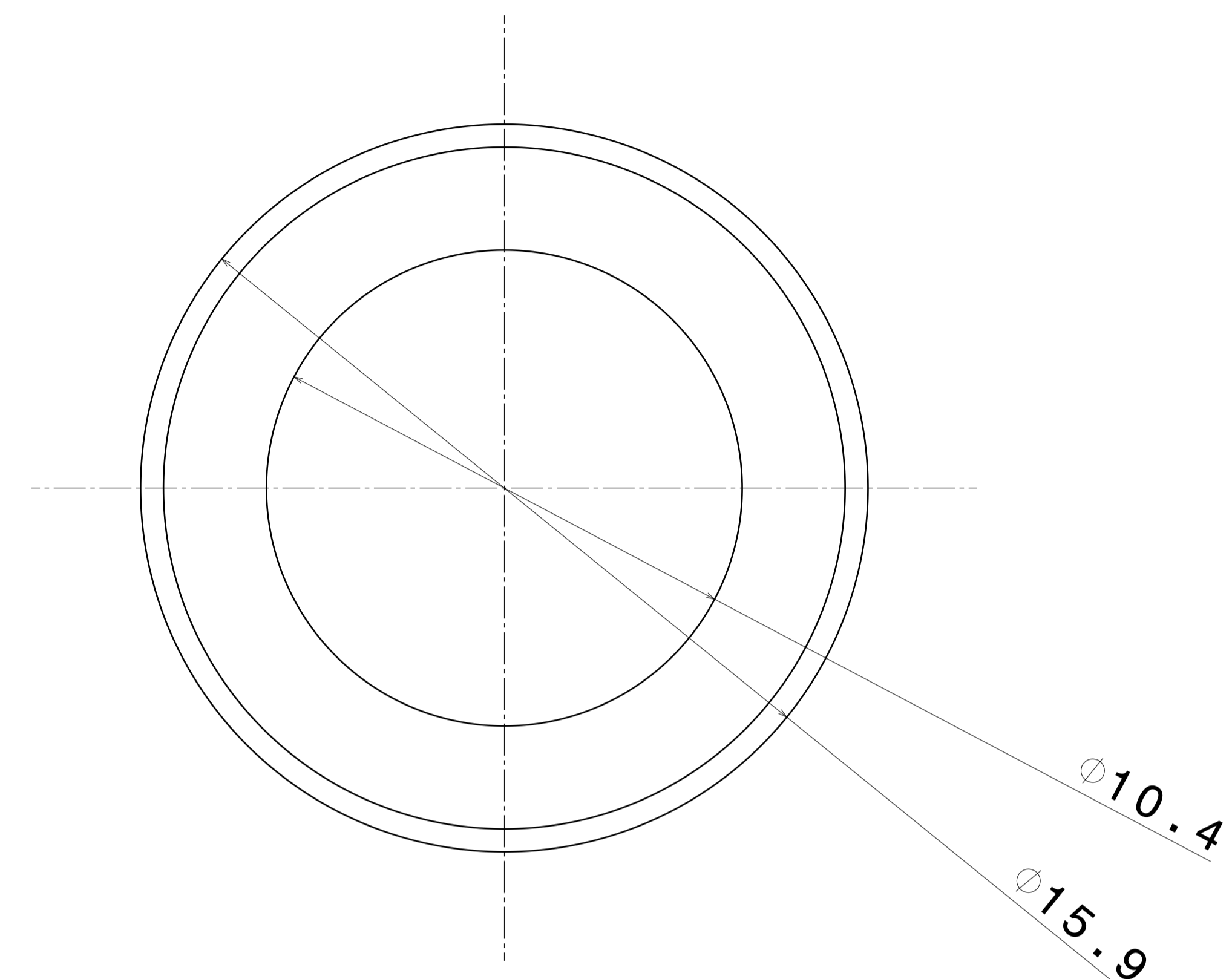
<b>ETH</b> zürich	Left L-Profile	DP-FC-108
-------------------	----------------	-----------



Pos	Part Name	Part Number	Material	QTY 8 Modules	QTY Tot. 1 Mod. Spare	Description
9	Rigth L-Profile	DP-FC-109	SS	16		

Project: WA105		Scale: -		Tot Pages: 12						
Sub-Proj.: DP Field Cage										
Assembly: Hanging System										
Created: 10.04.2017	Adamo Gendotti	Dimensions	From	1	6	30	100	300	1000	Page N°: 9
Last Mod.:		To	6	30	100	300	1000	2000		
Constructed: DD.MM.YYYY	Name	Tolerance		$\pm 0.1$	0.2	0.3	0.5	0.8	1.2	

**ETH zürich** Right L-Profile DP-FC-109



Pos	Part Name	Part Number	Material	QTY 8 Modules	QTY Tot. 1 Mod. Spare	Description
10	SS inserts	DP-FC-110	SS	80		

Project: WA105		Scale: 10:1		Tot Pages: 12	
Sub-Proj.: DP Field Cage					
Assembly: Hanging System					
Created: 10.04.2017	Adamo Gendotti	Dimensions	From 1 6 30 100 300 1000	Page N°	
Last Mod.:		To 6 30 100 300 1000 2000	11		
Constructed: DD.MM.YYYY	Name	Tolerance	+0.1 0.2 0.3 0.5 0.8 1.2		

**ETH zürich** SS Insert DP-FC-110