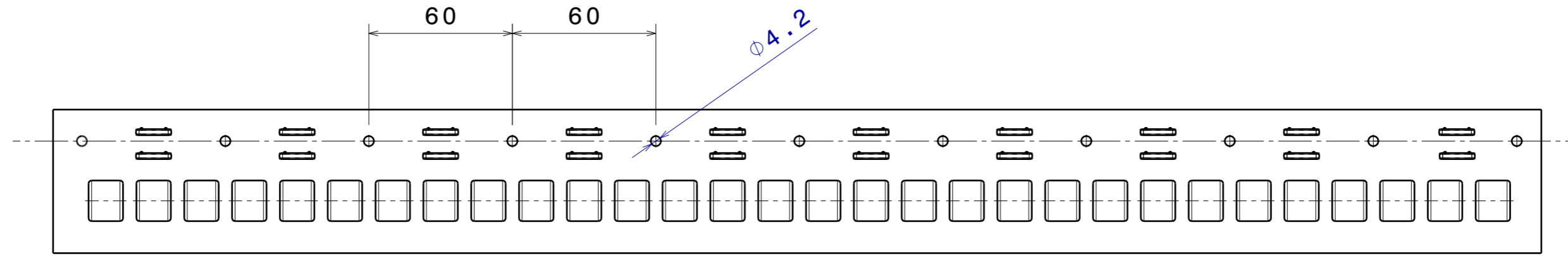
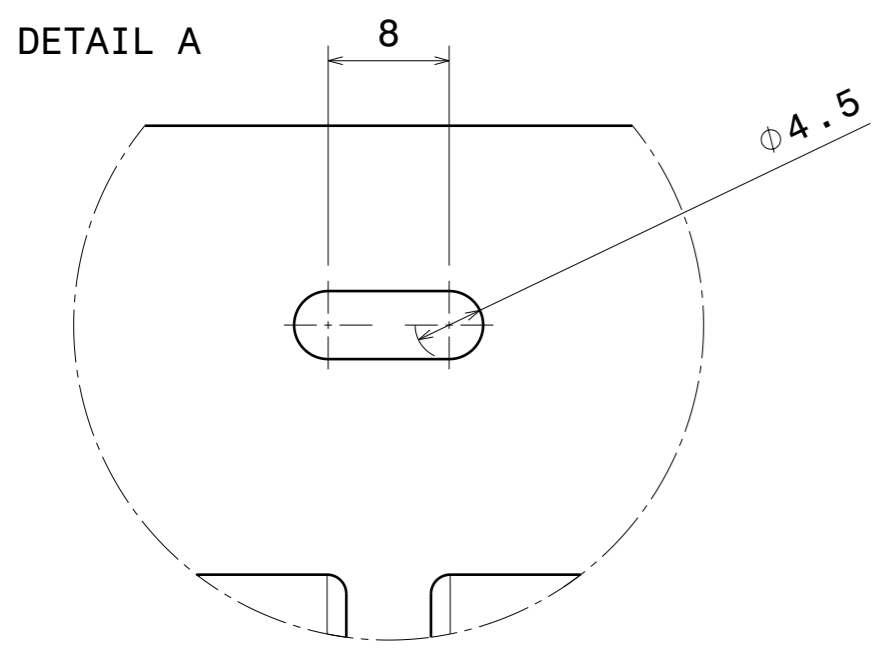
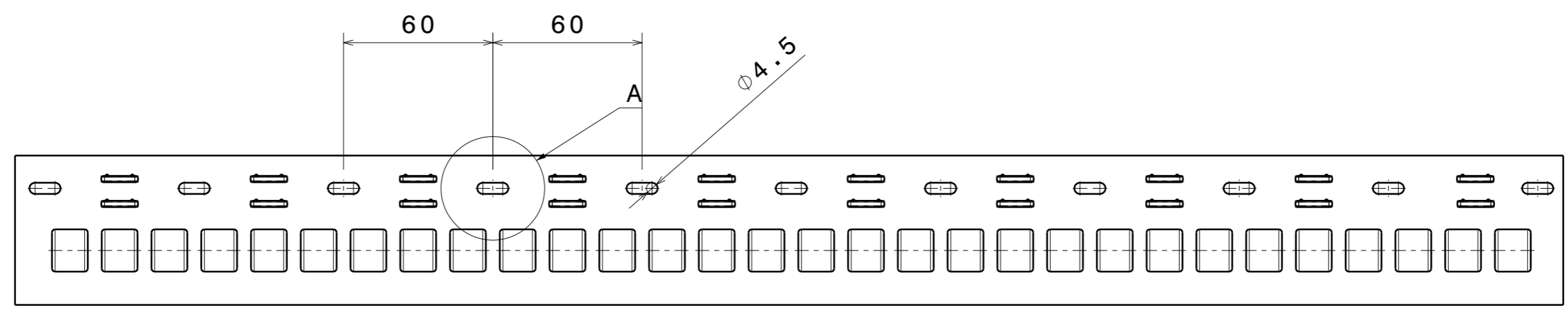


# ORIGINAL DESIGN



# PROPOSAL WITH SLOTS



Project:	Project Name						Scale	Tot Pages				
Sub-Proj.:	Sub-Project Name						1:1	1				
Assembly:	Assembly Group Name							Page N°				
Created:	DD.MM.YYYY	Name	Dimensions	From	1	6		30	100	300	1000	1
Last Mod.:	DD.MM.YYYY	Name		To	6	30		100	300	1000	2000	
Constructed:	DD.MM.YYYY	Name	Tolerance	±0.1 0.2 0.3 0.5 0.8 1.2								
				PCB Board fixing slot				XX-XXXX				