



WA105/ProtoDUNE-DP

Integration Meeting SGFT Status

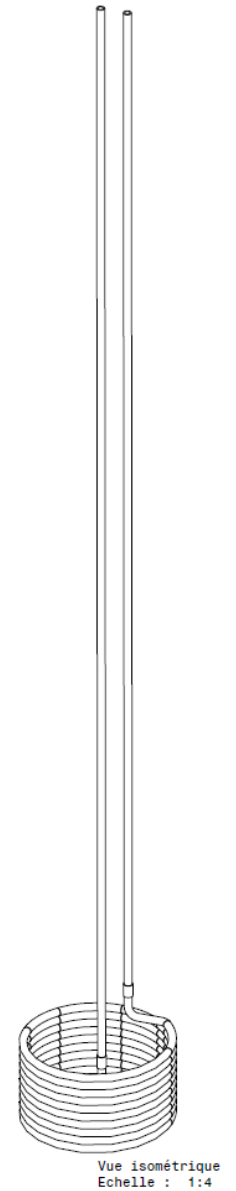
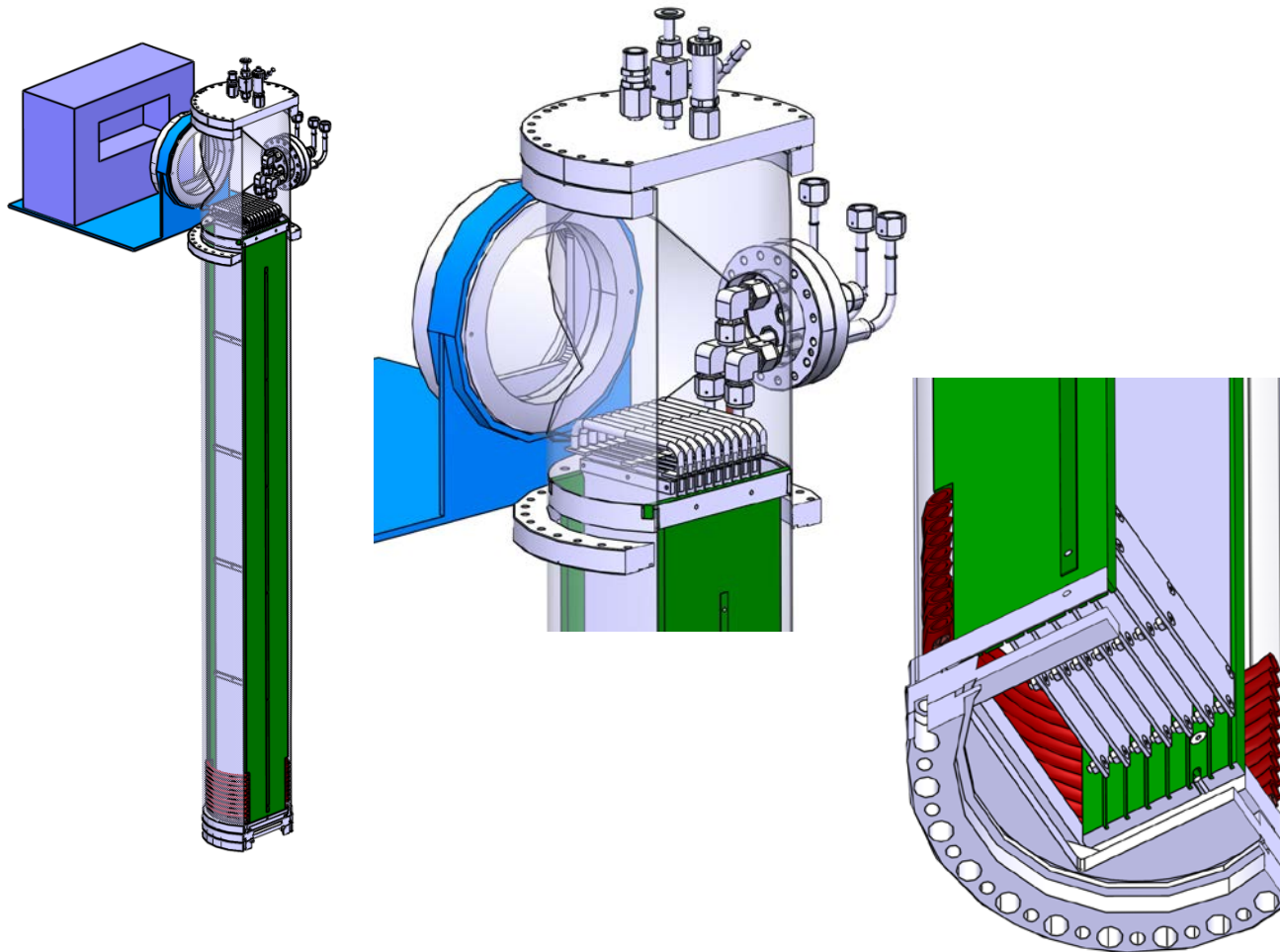
25th of July 2017

F. Sergiampietri, A. Gendotti, B. Aimard



SGFT Status

- *Waiting for information concerning the use of coil*
- *Collaboration with HSE for design validation*



SGFT Status

- Drawing layouts are ready to start contacting potential manufacturers
- Final drawings are stored on the CERNBox
 - </eos/project/p/protoDUNE-DP-integration/Components/Feedthroughs & Chimneys/SGFT/other-drawings-specifications>

