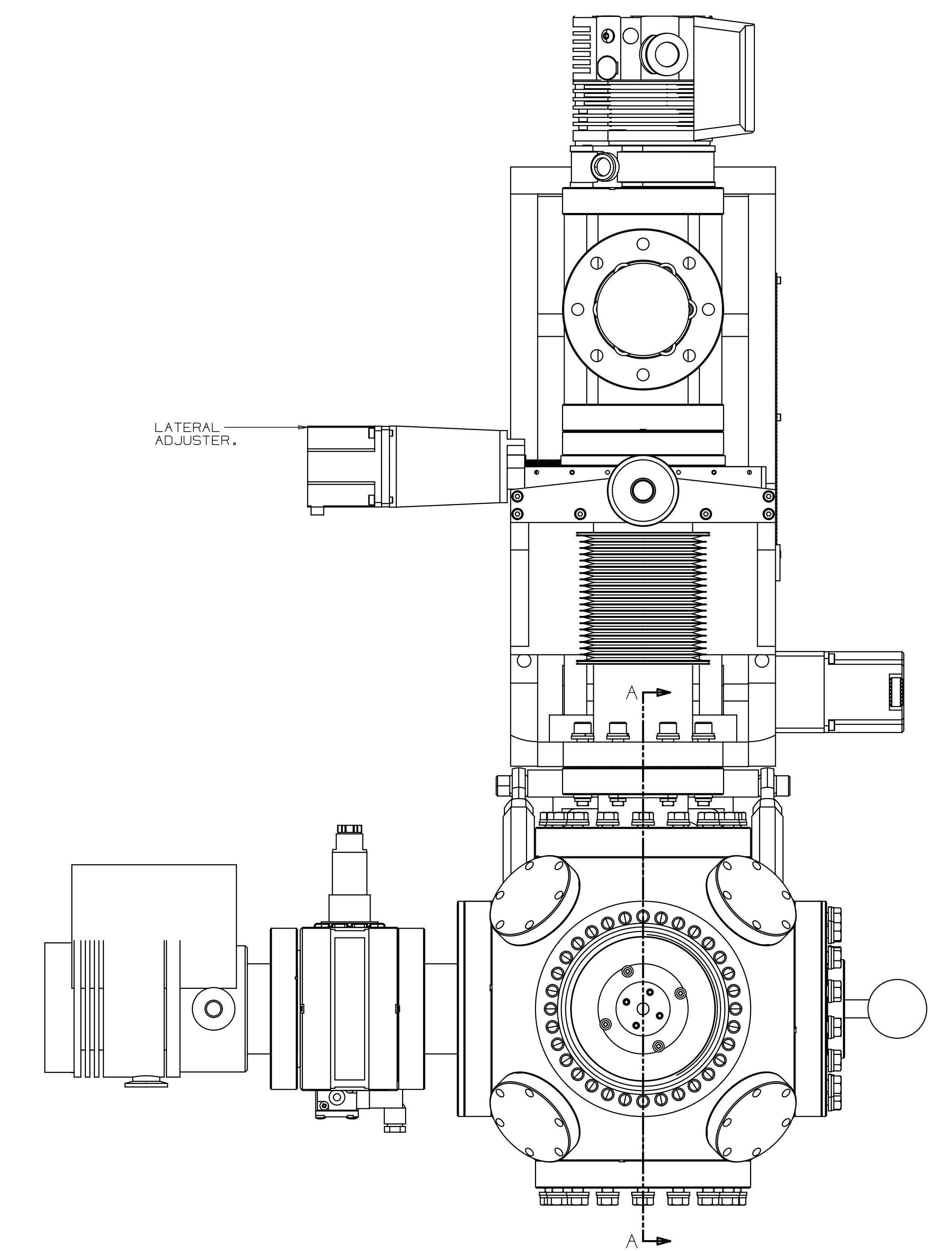


An alignment spider type support about here! It should keep alignment of the two skimmer nozzles to within .010 inches of each other.



UNLESS OTHERWISE SPECIFIED					DRWN	T. HAMERLA	DATE	03-May-2018	FERMI NATIONAL ACCELERATOR LABORATORY UNITED STATES DEPARTMENT OF ENERGY
±.X	±.XX	±.XXX	±X/X	±X"	CHECKED		DATE		
.1	.02	.005	1/16	1"	APPROVED		DATE		
BREAK ALL SHARP EDGES .015 MAX. DO NOT SCALE DRAWING DIMENSIONS BASED ON ASME Y14.5-2009 MAX. ALL MACH SURFACES 125/ DRAWING UNITS: INCHES					DRAWN ON MATERIAL GROUP: Accelerator Mechanical Support CASE CODE: QUR58		NAME ITOA GAS JET PROFILE MONITOR - TEST ASSEMBLY		
SCALE 1:2			SIZE E	DRAWING NUMBER F10101459	SHEET 1 OF 1	REV -			