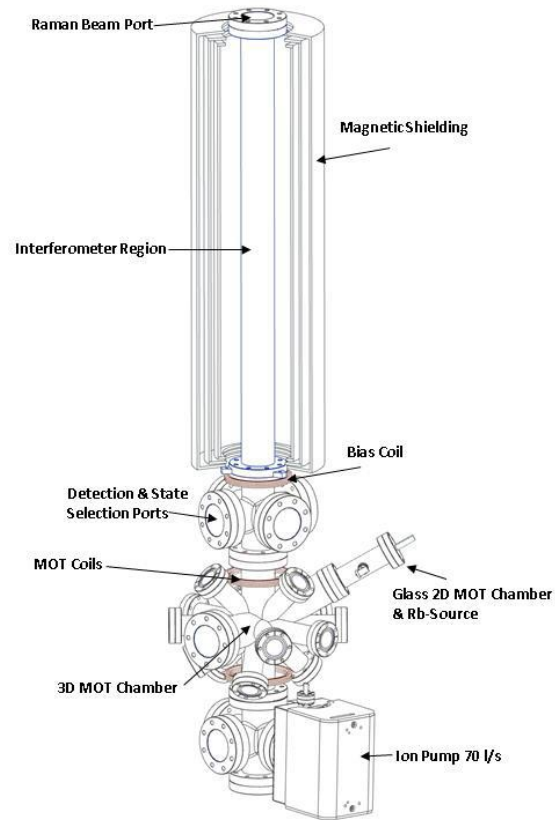


PLAN FROM THE UK

basic thoughts were we move in the next few years

Plans

- So far has been about making a working device
- Next steps:



Towards MAGIS

- Investigating ways to fund MAGIS via UK Research Councils
- Ideally purchase the SolTis Laser system for MAGIS from M Squared via the UK
 - Makes a convincing argument in to be working UK industry
- There is the potential to use the Beecroft building in Oxford to develop a single source test-stand for MAGIS
 - Interest from NPL Clock program to develop this further
- Also would look into FPGA Hardware systems for DAQ and control, using experience from decadal running experiments