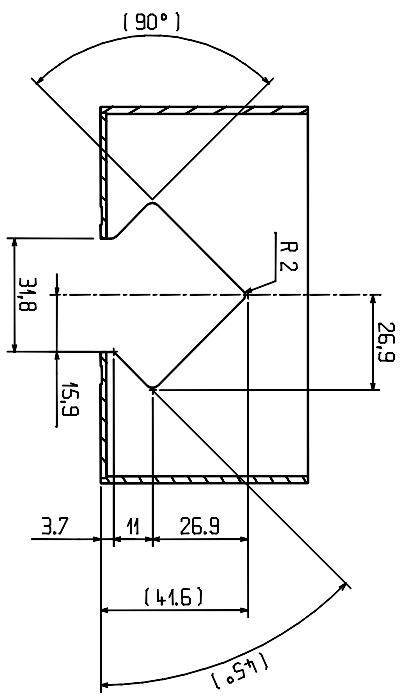
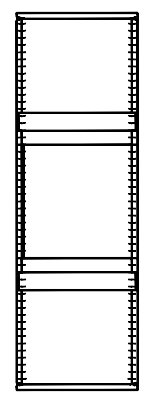
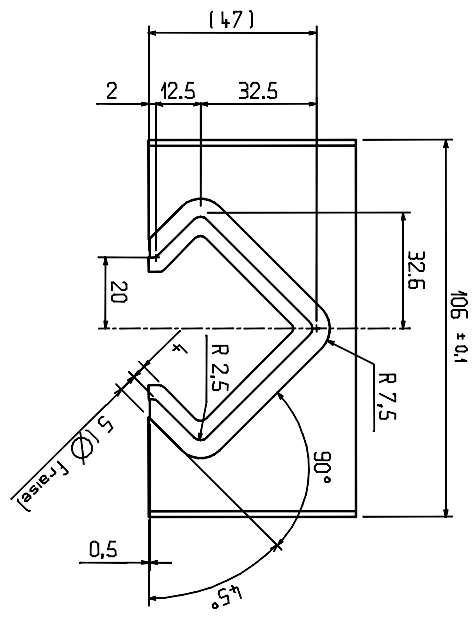
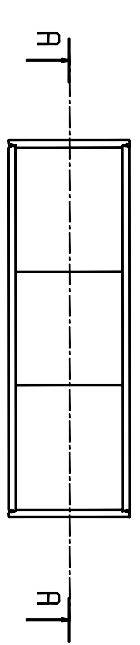
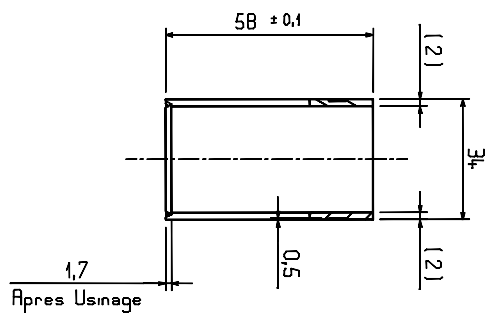
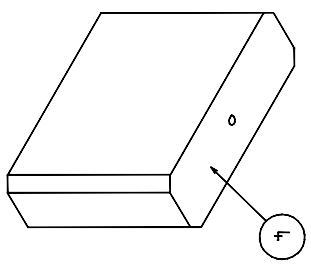
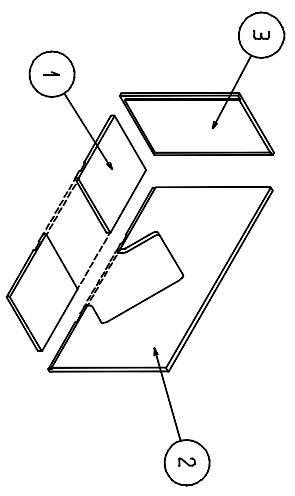
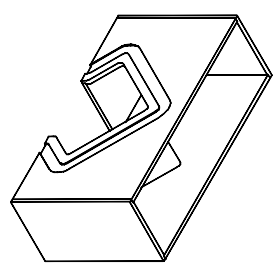


DIMENSION	< 6	> 6	> 30	> 100	> 300	> 1000	> 3000
	± 0.1	± 0.2	± 0.3	± 0.5	± 1.0	± 2.0	± 3.0
	± 0.05	± 0.1	± 0.15	± 0.25	± 0.5	± 1.0	± 1.5
FINISH	1	2	3	4	5	6	7
WELDING	1	2	3	4	5	6	7

IND.	DATE	NOM/NAME	ZONE	MODIFICATION
11				
10				
9				
8				
7				
6				
5				
4				
3				
2				
1				



QUANT	DES./ASS.	POS.	HAUT.	DES./ASS.	REVISIONS	REVISION
1	Outilage soudure FE	4		LHCXRP_0081		
2	Tôle latérale	3		LHCXRP_0080		
2	Tôle face	2		LHCXRP_0079		
1	Tôle de fond	1		LHCXRP_0078		

**ROMAN POT**  
 POT SOUDURE FE ET FENETRE A 45°  
 RELEASED BY: [Signature]  
 PROJECT ENGINEER INFORMATION: LHCXRP\_0077  
 FOR ORC: [Signature]  
 SIZE: 2  
 DATE: 2004-05-28  
 DESIGNED BY: B. PERRET  
 CHECKED BY: M. BRILLAUD  
 APPROVED BY: [Signature]  
 DRAWING NUMBER: LHCXRP\_0077  
 SCALE: 1:1  
 REVISIONS: [Table]