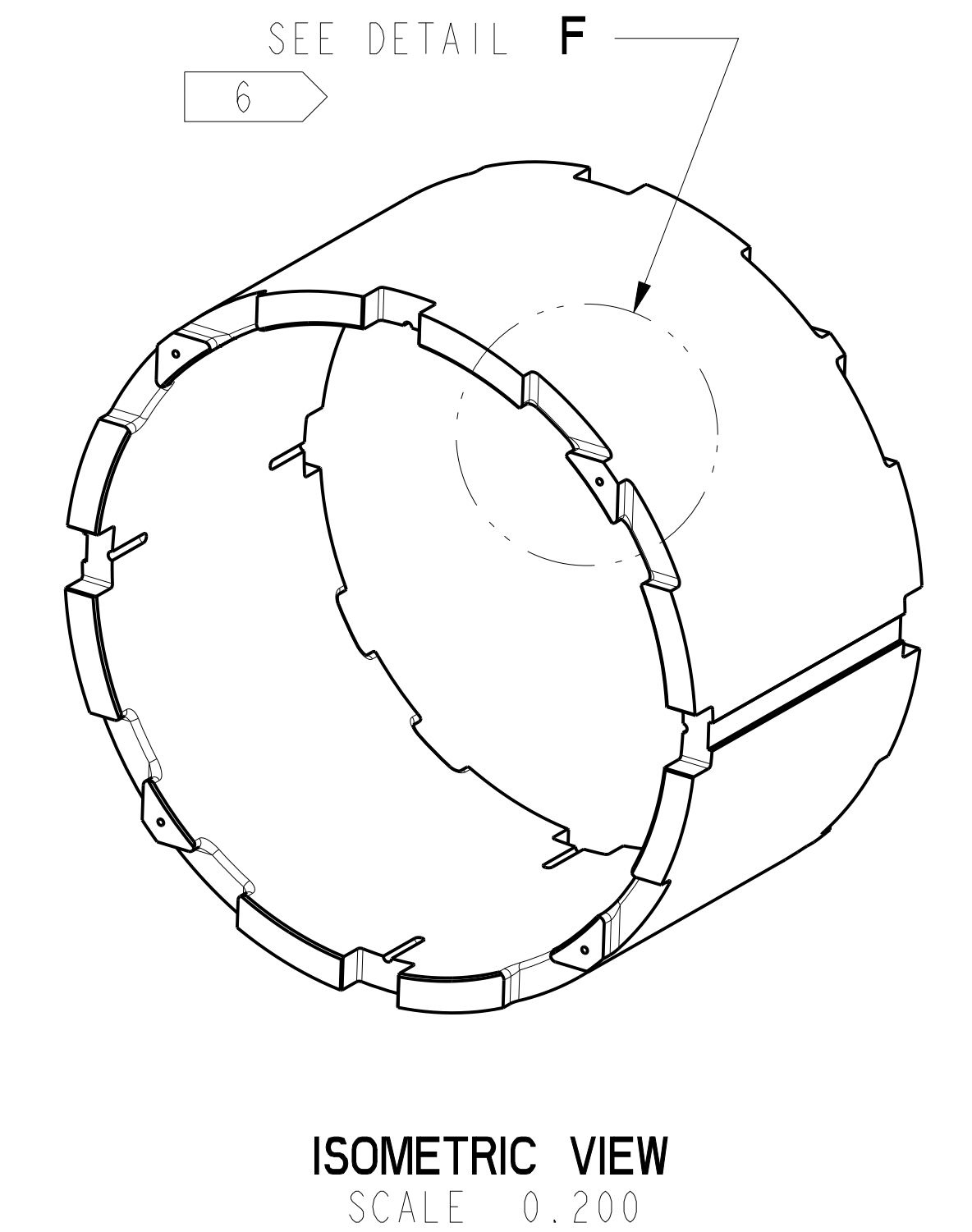
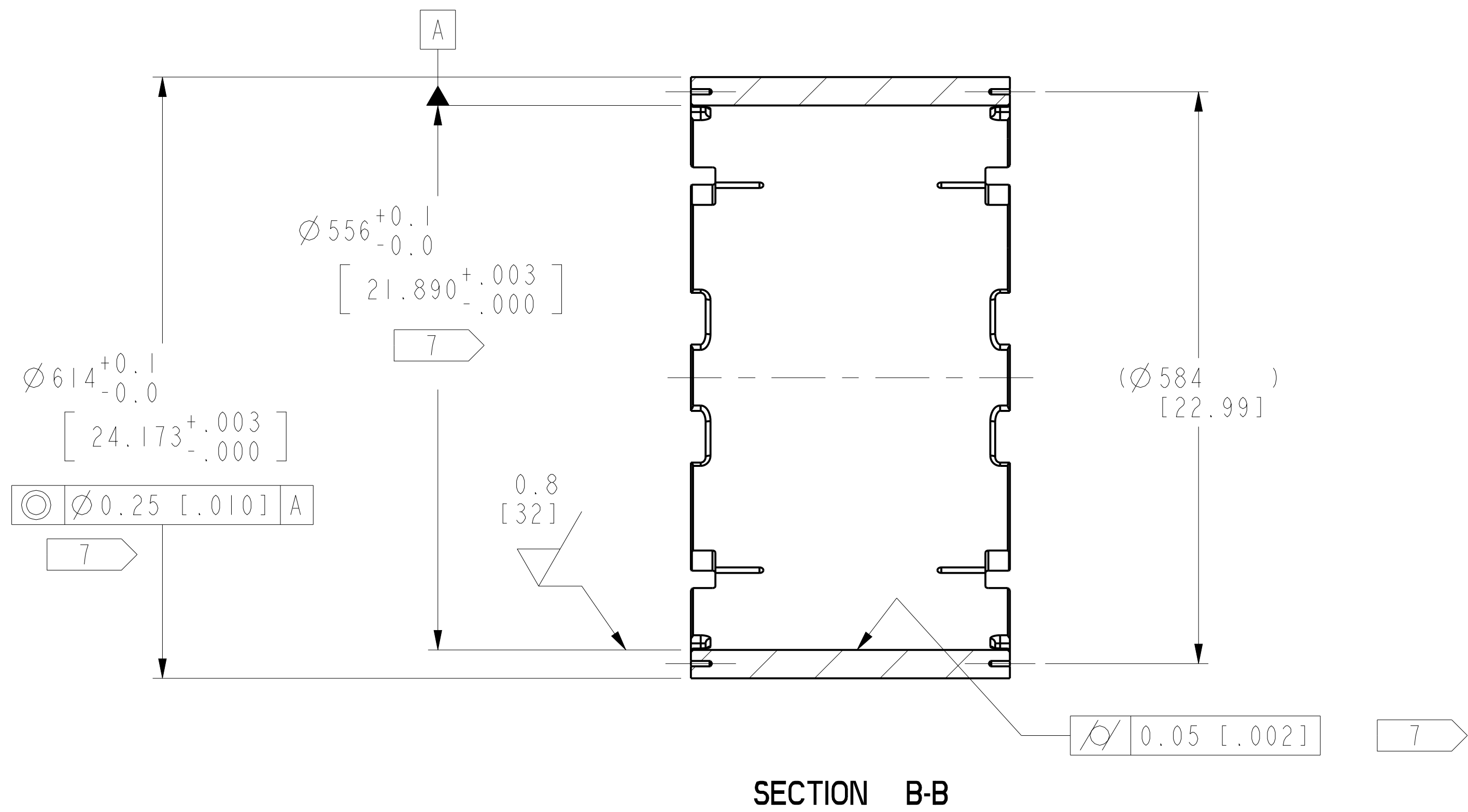
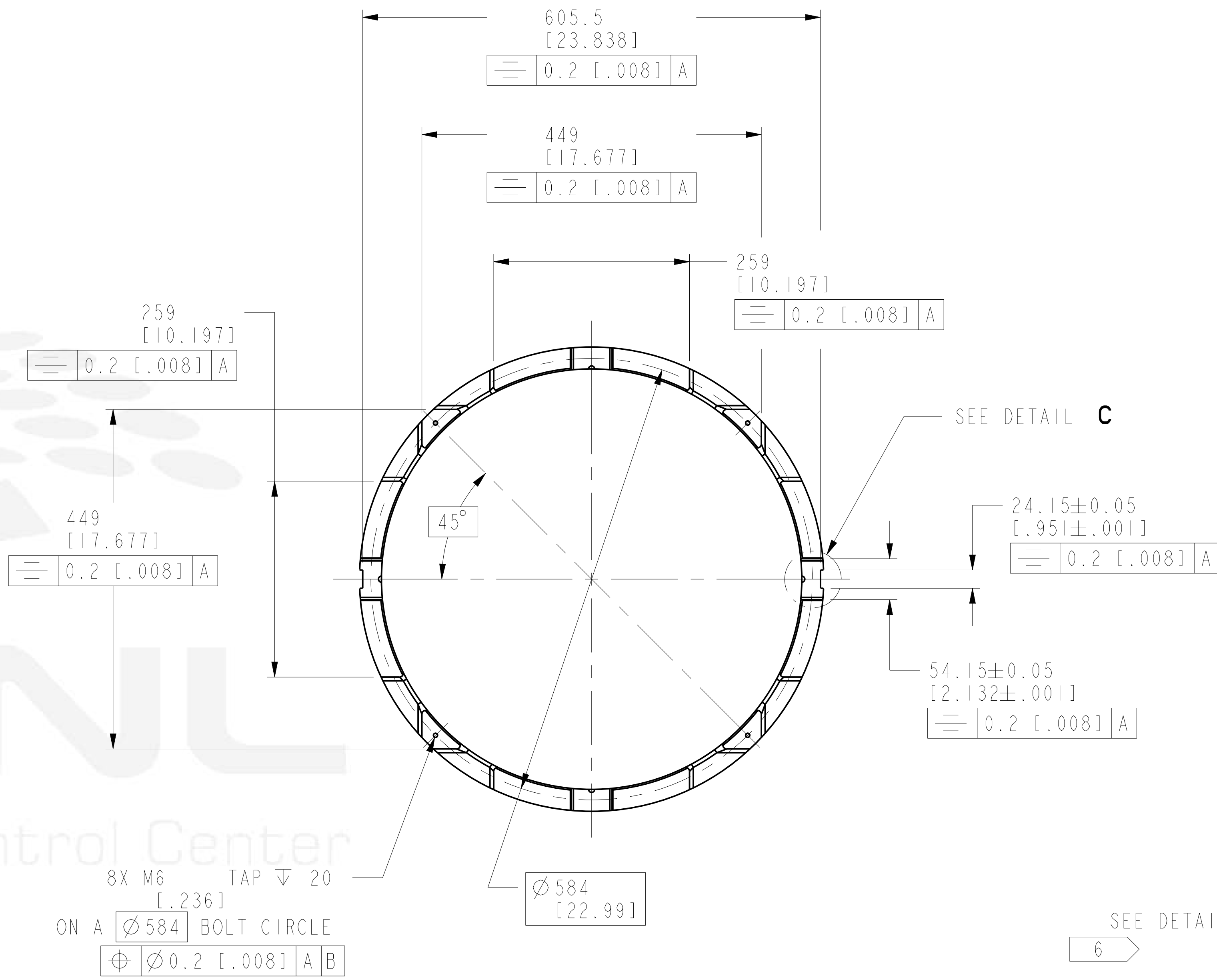
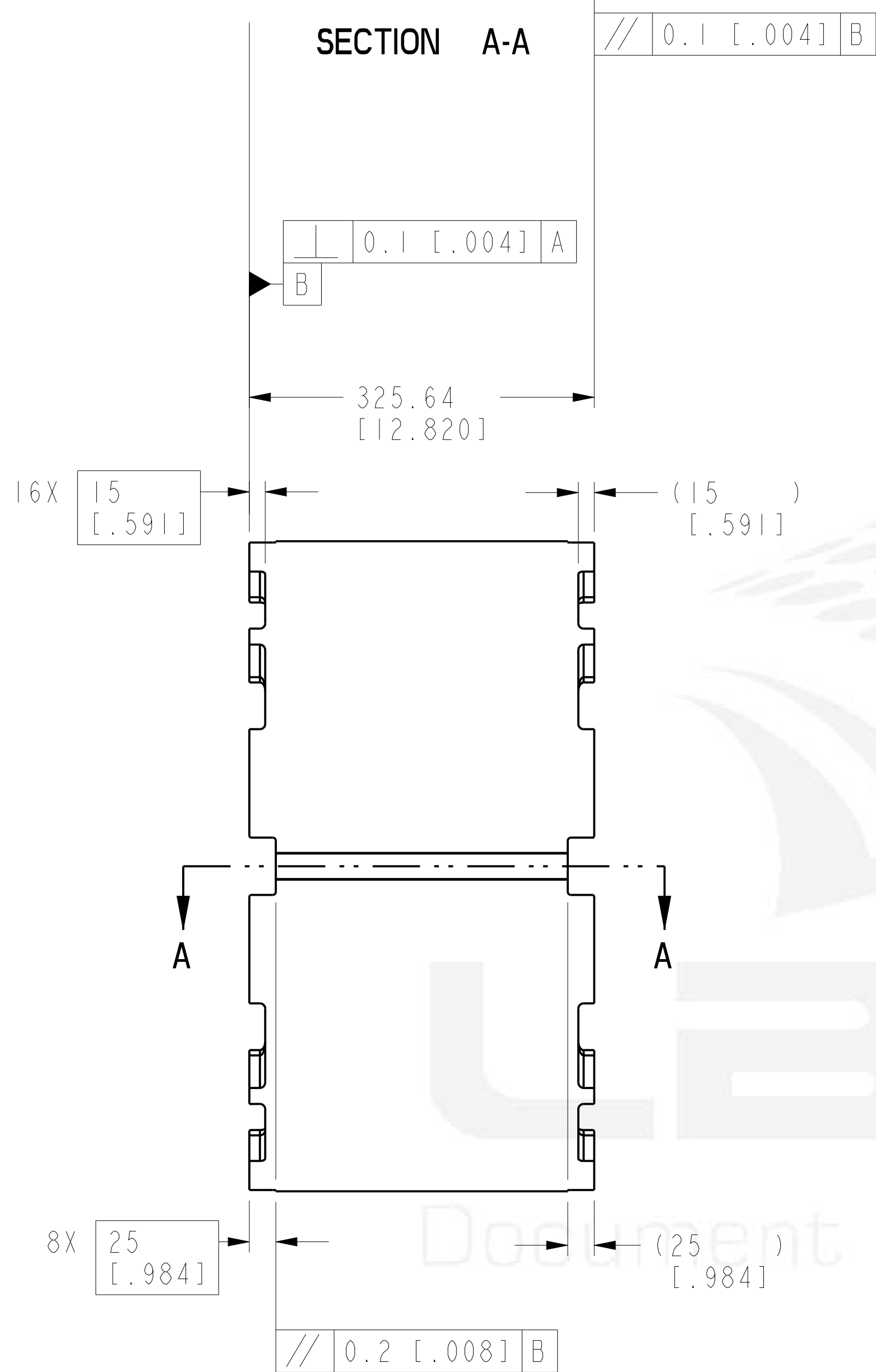
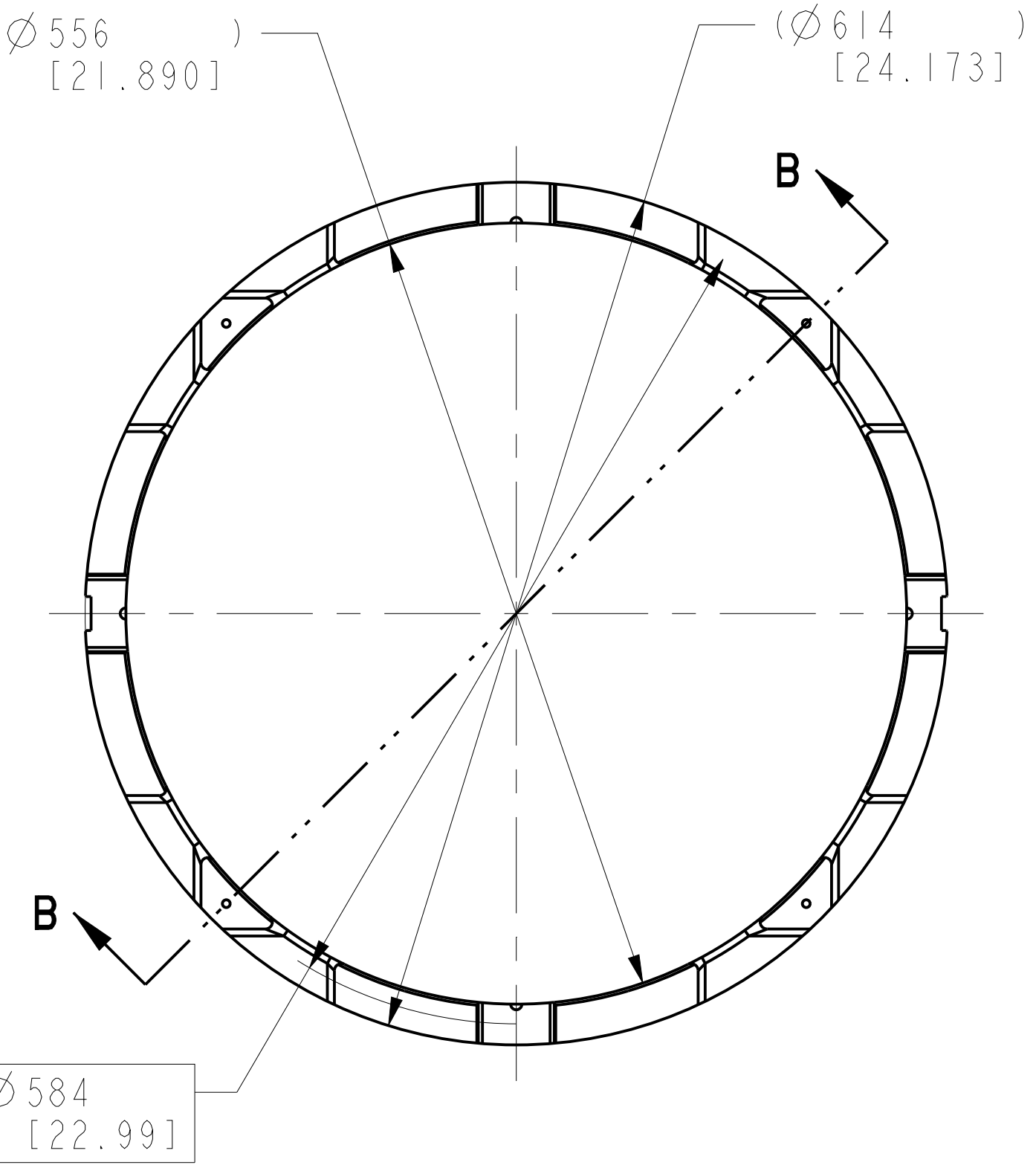


- NOTES: UNLESS OTHERWISE SPECIFIED
1. ALL DIMENSIONS ARE IN MILLIMETERS (mm) AND VALUES ARE IN SI UNITS. DIMENSIONS AND VALUES IN BRACKETS ARE U.S. CUSTOMARY UNITS (inch)
  2. APPLICABLE STANDARDS AND SPECIFICATIONS: ASME Y14.5M-2009, DIMENSIONING AND TOLERANCING
  3. 1.6 [63] FINISH ALL MACHINED SURFACES PER ASME B46.1, SURFACE TEXTURE.
  4. REMOVE ALL BURRS AND BREAK EDGES 0.25 [0.010] TO 0.75 [0.030] CHAMFER OR RADIUS. RADIUS MUST MAKE A SMOOTH TRANSITION WITH ADJACENT SURFACES.
  5. FORGED MATERIAL SHALL CONFORM TO ASTM-B594-02 CLASS AA SPEC. OR EQUIVALENT.
  6. PERMANENTLY MARK PART WITH DRAWING NUMBER AND PART SERIAL NUMBER IF APPLICABLE, APPROXIMATELY WHERE SHOWN IN 6MM [0.25] HIGH CHARACTERS. MARKING PROCESS TO BE APPROVED BY LBNL PRIOR TO MARKING PART.
  7. UNLESS NOTED OTHERWISE, DIMENSIONS APPLY IN RESTRAINED STATE.



MARK P/N HERE "SU-1010-1072"

MARK SERIAL NUMBER HERE IN FORM OF "XXX"

ESTIMATED WEIGHT IS: 46.132 KG [101.703 LBS]

CHANGE DESCRIPTION (SEE LBNL PDM FOR REV HISTORY) INITIAL RELEASE AUTHOR: Wfdeck, John CHECKED BY: DWCHENG CHECKED AT: Mar 1 2018 3:49:57 PM PST RELEASED BY: DWCHENG RELEASED AT: Mar 1 2018 3:49:57 PM PST		UNLESS OTHERWISE SPECIFIED TOLERANCE: FRACTIONS: ±.XX±0.01 .XXX±0.001 ANGLES: ±0.5° MACH. SURFS.: 125μ.0μ/		PROJECT NAME: SUPERCONDUCTING MAGNET PROGRAM ERNEST ORLANDO LAWRENCE BERKELEY NATIONAL LABORATORY UNIVERSITY OF CALIFORNIA	
THIS DRAWING IS THE PROPERTY OF ERNEST ORLANDO LAWRENCE BERKELEY NATIONAL LABORATORY (LBNL) AND ANYTHING PRODUCED FROM THIS DRAWING IS SUBJECT TO LBNL'S INTELLECTUAL PROPERTY RIGHTS. THIS DRAWING IS LOANED ON A CONFIDENTIAL BASIS SUBJECT TO RETURN OR DESTRUCTION HEREIN MAY BE REPRODUCED, USED OR DISCLOSED IN WHOLE OR PART WITHOUT PRIOR WRITTEN PERMISSION OF LBNL.		REFERENCES: -THREADS ARE CLASS 2 -BREAK EDGES 0.02 MAX. ON MACHINED WORK -REMOVE BURRS, WELD SPLATTER & LOOSE SCALE		SHEET: 1 OF 1 CATEGORY CODE: SU3322 ITEM NUMBER: SU-1010-1072	