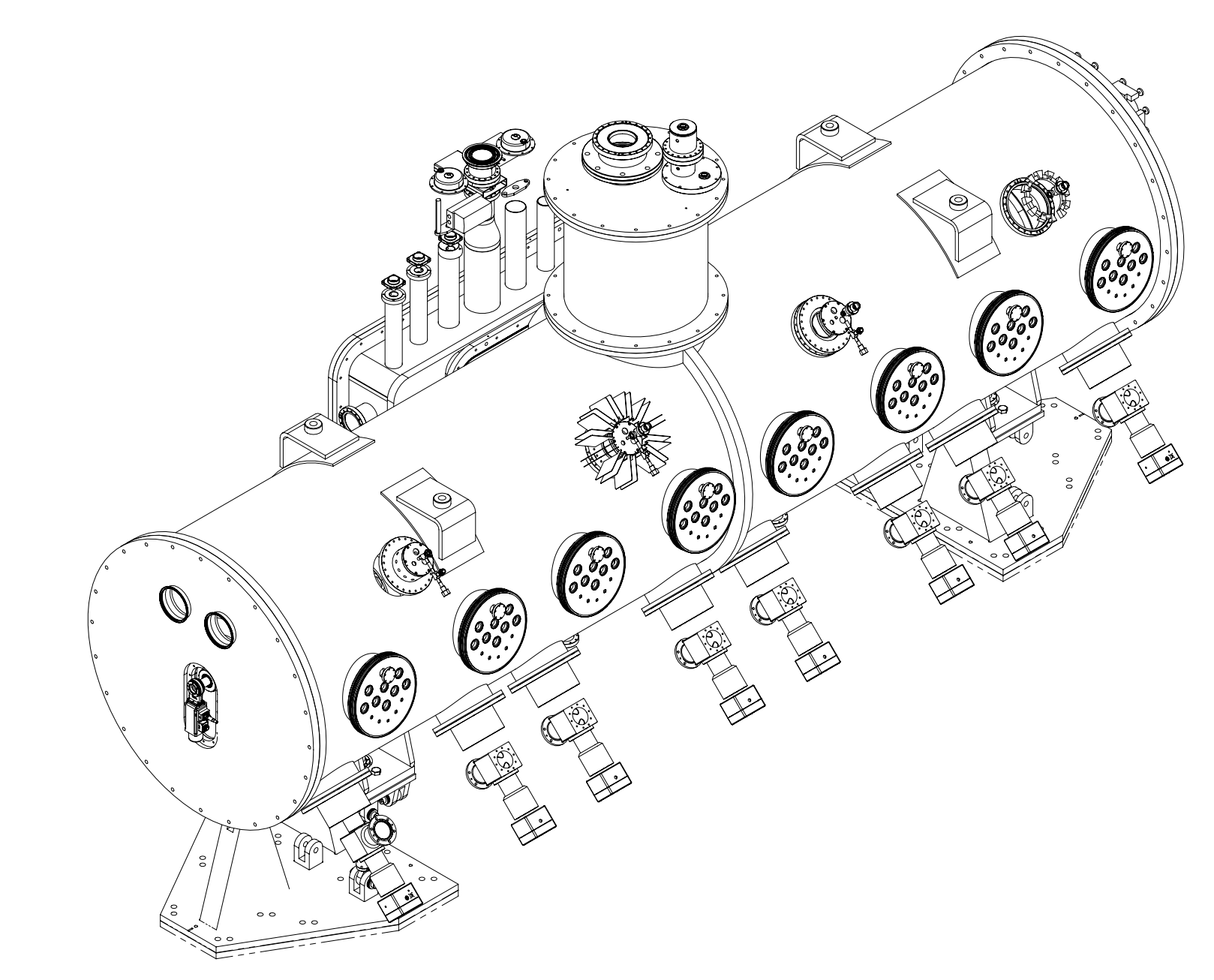
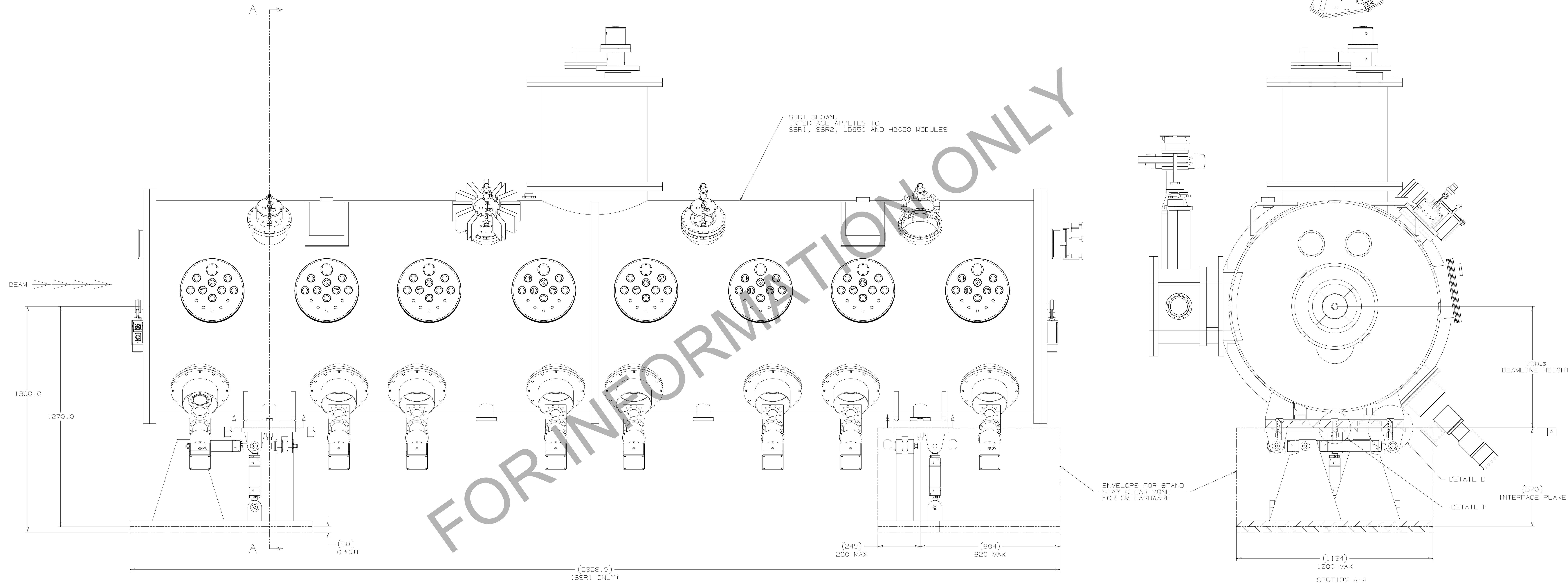
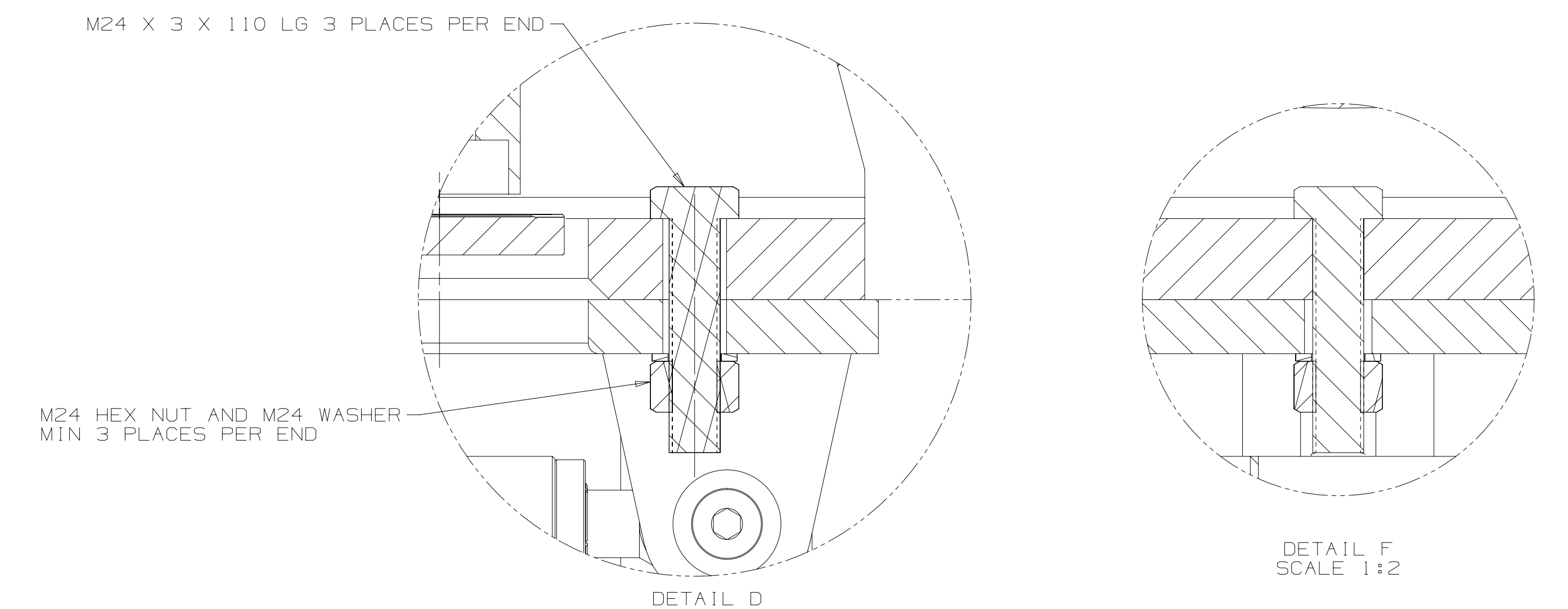
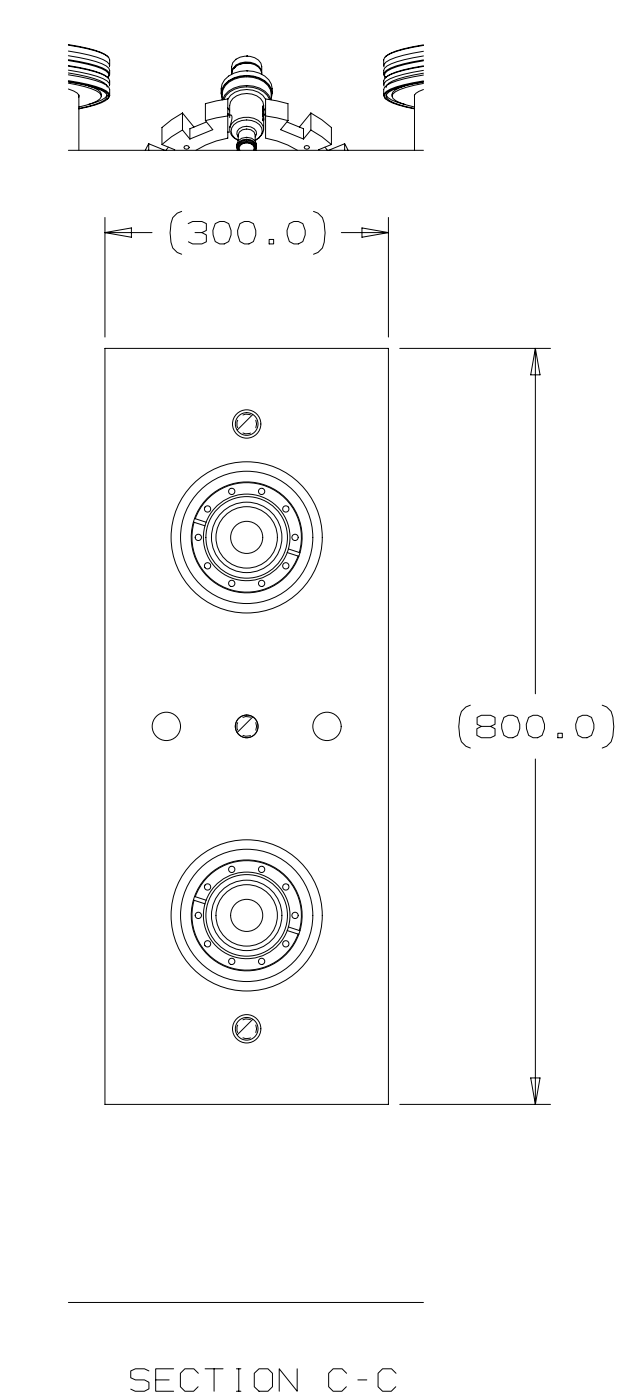
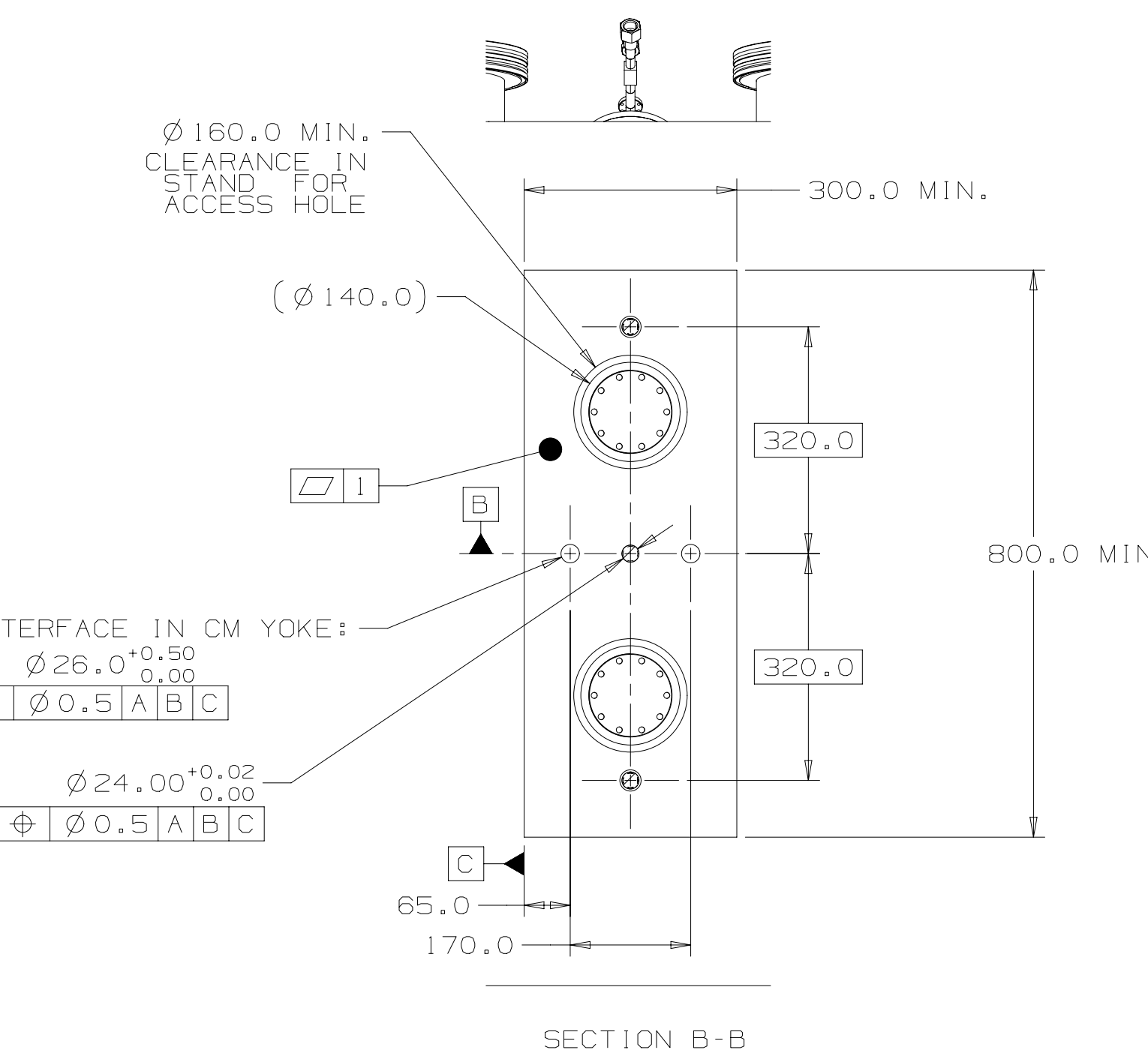


Draft 2018-Oct-25



FOR INFORMATION ONLY

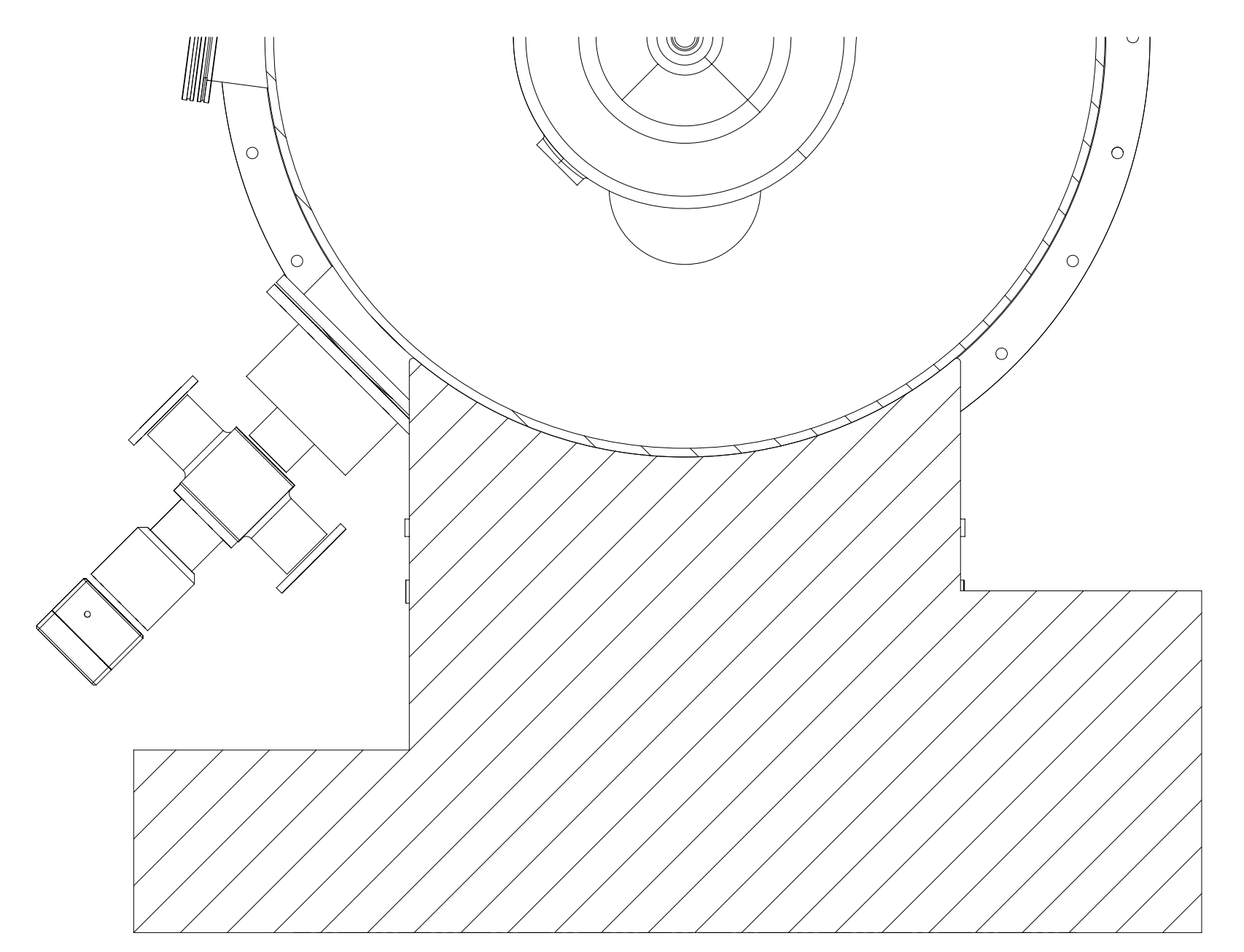
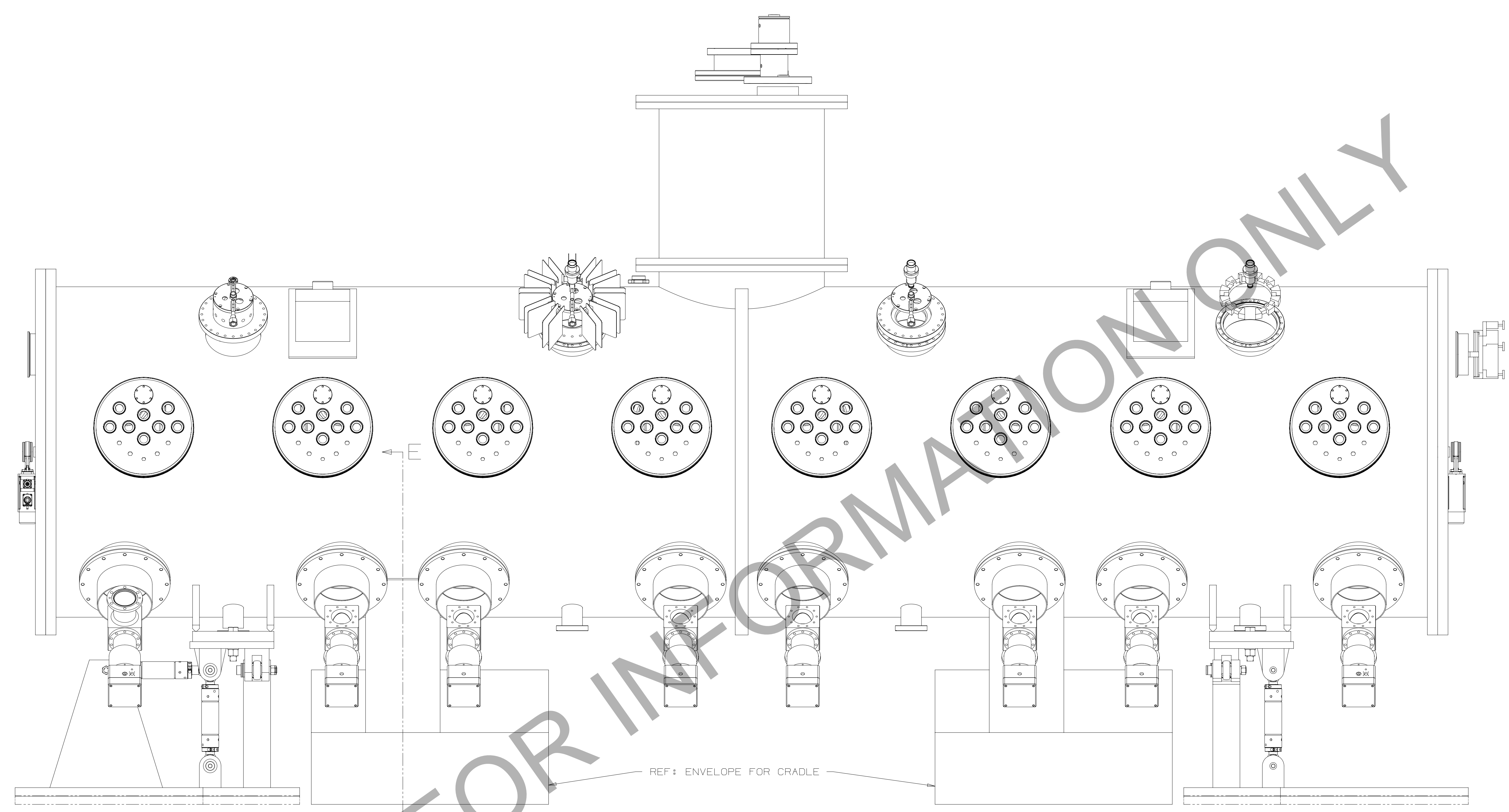


1. THIS IS AN INTERFACE CONTROL DRAWING FOR THE MECHANICAL INTERFACE BETWEEN CRYOMODULES AND THE OPTIMIZED CRYOMODULE RESTRAINT ASSEMBLY (ORCA), I.E. THE CRYOMODULE STAND. THIS DRAWING IS APPLICABLE TO SSR1, SSR2, LB650 AND HB650 CRYOMODULES.
2. DETAILED GEOMETRY OF THE CRYOMODULE AND THE ORCA ARE SHOWN FOR CONTEXT AND REFERENCE ONLY, AND MAY CHANGE AS DESIGNS EVOLVE. THIS DRAWING CONSTRAINS GEOMETRY ONLY AT THE INTERFACE PLANE.

UNLESS OTHERWISE SPECIFIED		DRWN	S.OPLT	DATE	15-Aug-2018	FERMILAB FERMILAB NATIONAL ACCELERATOR LABORATORY UNITED STATES DEPARTMENT OF ENERGY							
±X	±X.X	±X.XX	±X/X	±X"									
Z	0.3	0.12	N/A	1"		NAME							
BREAK ALL SHARP EDGES 0.5 MAX. DO NOT SCALE DRAWING DIMENSIONS BASED ON ASME Y14.5M-2009 MAX. ALL MACH SURFACES 3.2 DRAWING UNITS: MM						ORCA STAND INTERFACE							
MATERIAL	GROUP1 Accelerator Mechanical Support		CAGE CODE1 06596	SCALE	1:1B	SIZE	A0	DRAWING NUMBER	F10107984	SHEET	1 of 2	REV	-

REV	REVISION CONTROL DOCUMENT	DATES	SIGNATURES
-	F10107984--RCD	15-Aug-2018	DRWN: S.OPLT APPROVED:

Draft 2018-Oct-25



FOR INFORMATION ONLY

REF: ENVELOPE FOR CRADLE

UNLESS OTHERWISE SPECIFIED				DRWN	S.OPLT	DATE	15-Aug-2018	FERMILAB NATIONAL ACCELERATOR LABORATORY UNITED STATES DEPARTMENT OF ENERGY	
±X	±X.X	±X.XX	±X/X	CHECKED		DATE			NAME
Z	0.3	0.12	N/A	APPROVED		DATE			
BREAK ALL SHARP EDGES 0.5 MAX. DO NOT SCALE DRAWING DIMENSIONS BASED ON ASME Y14.5M-2009 MAX. ALL MACH SURFACES 3.2 DRAWING UNITS: MM				USED ON				ORCA STAND INTERFACE	
				MATERIAL				SCALE: 1:1B	
				GROUP1 Accelerator Mechanical Support		CASE CODE: 06596		SIZE: A0 DRAWING NUMBER: F10107984 SHEET: 2 of 2 REV: -	