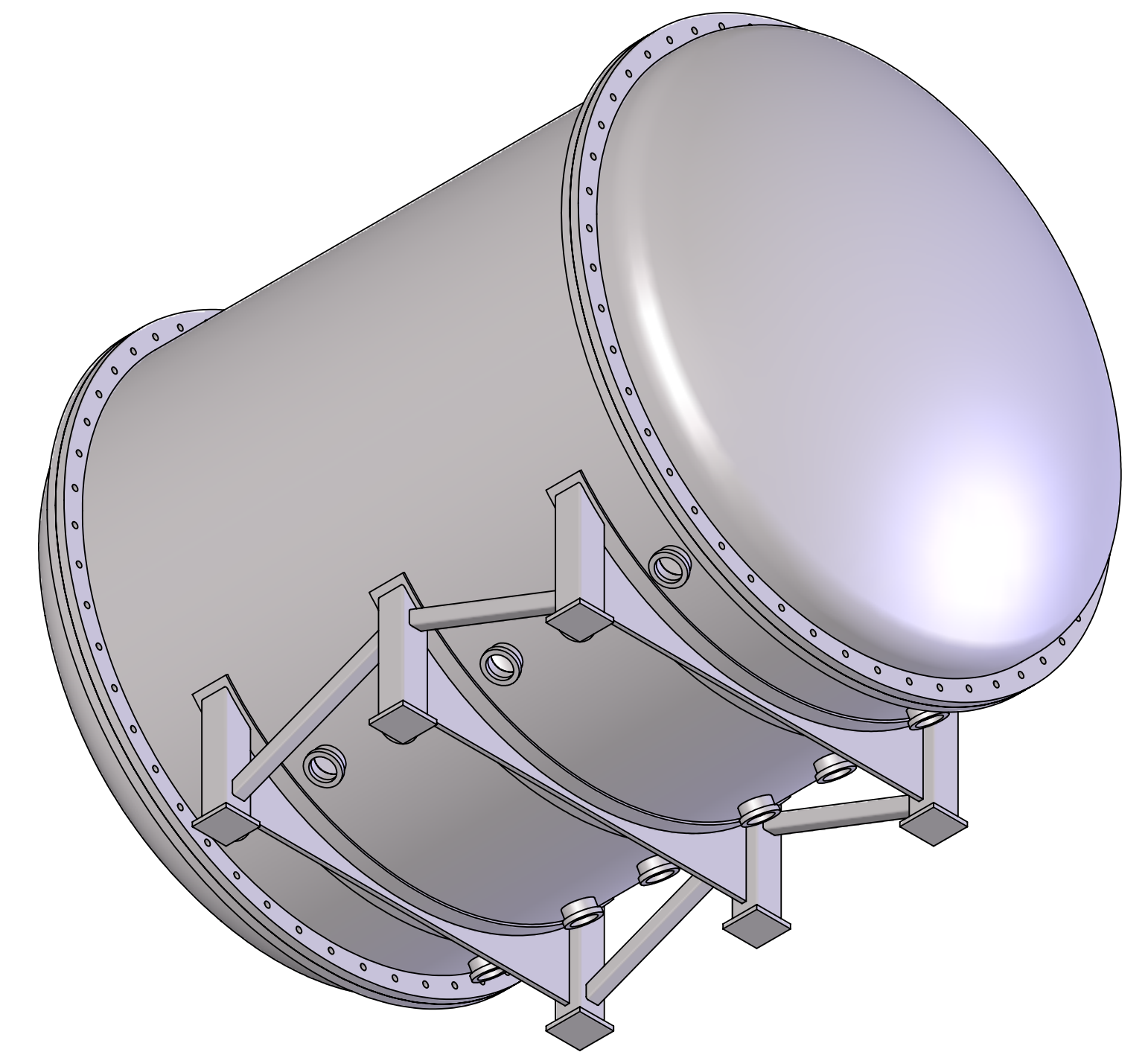
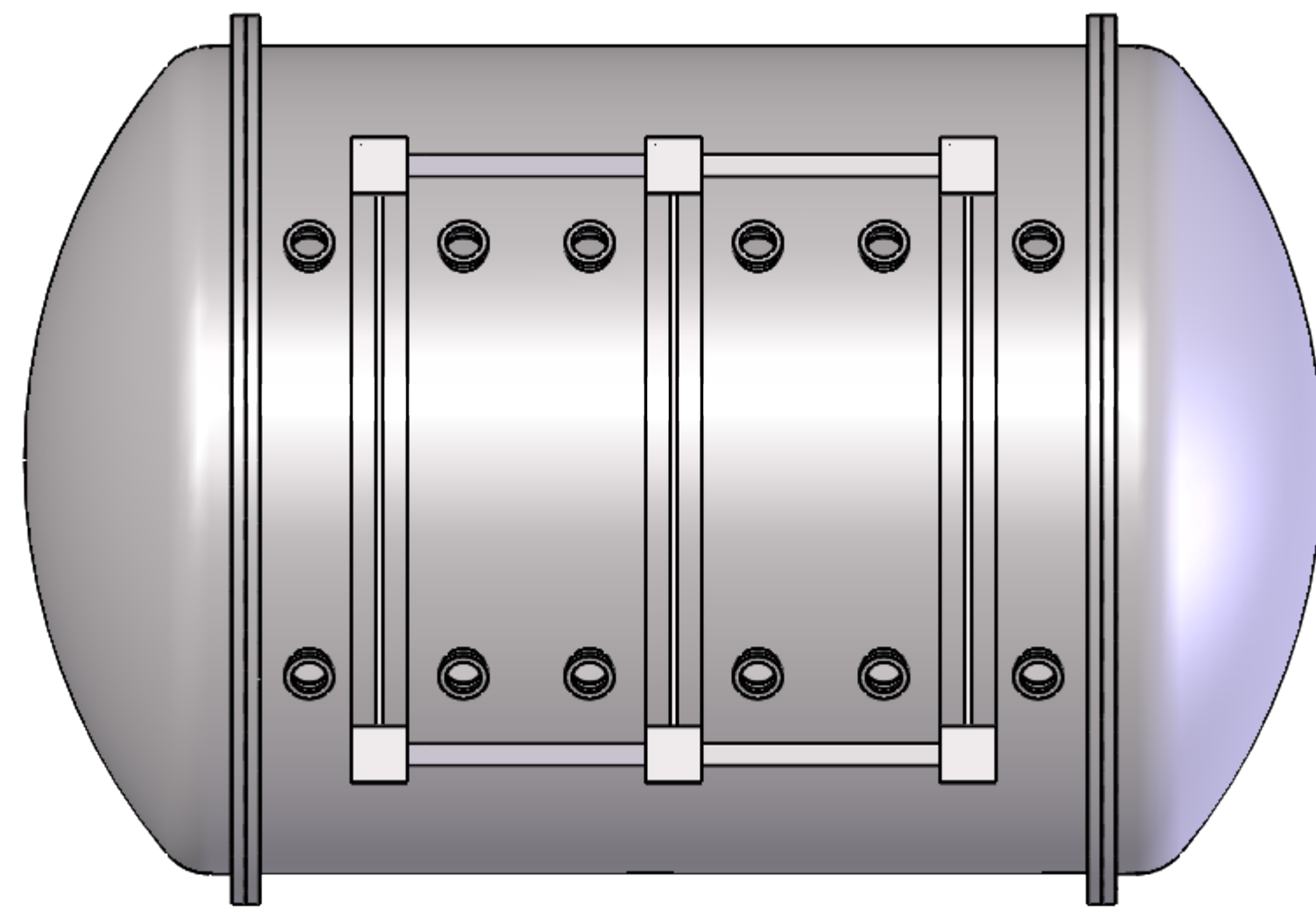
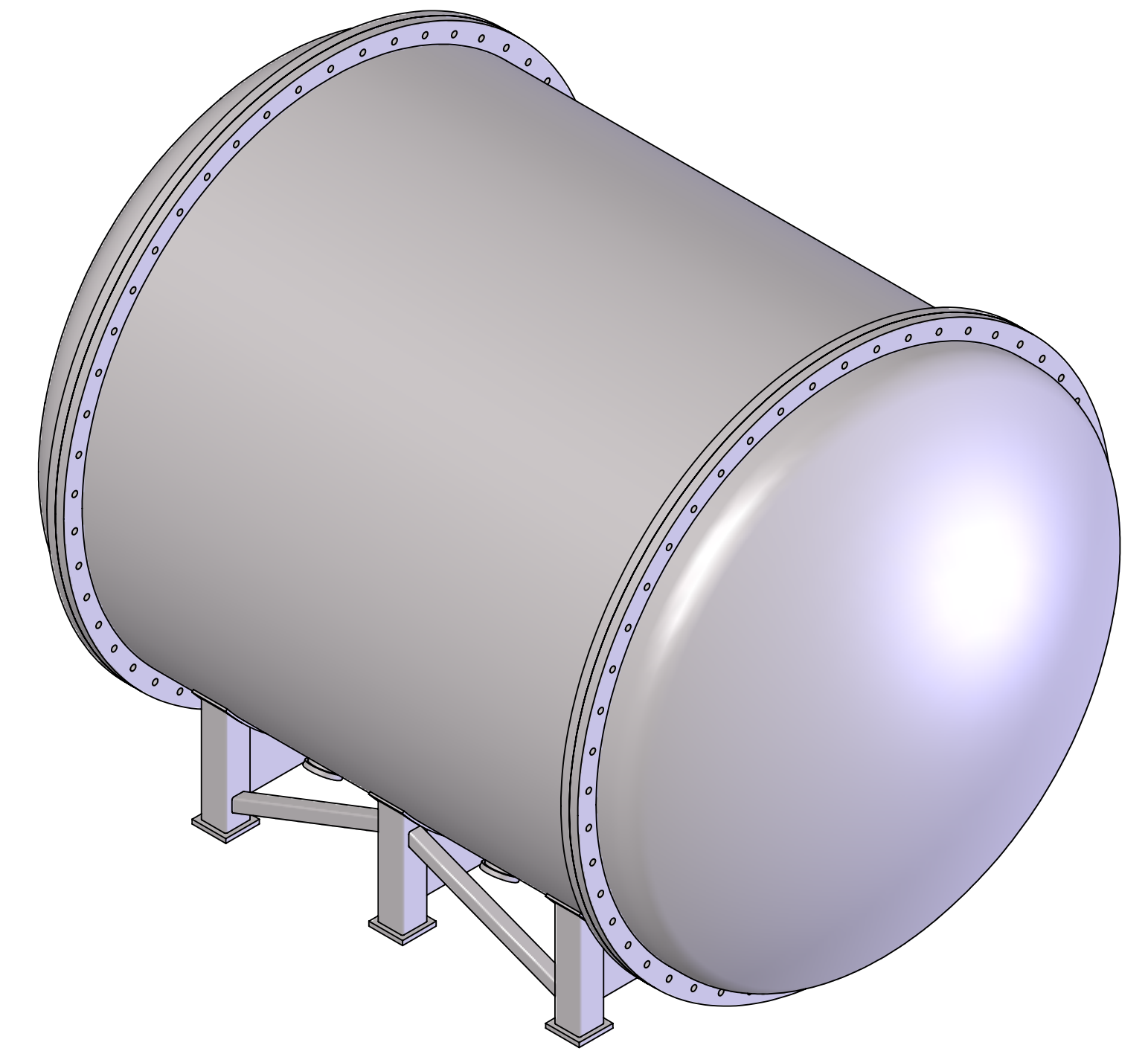
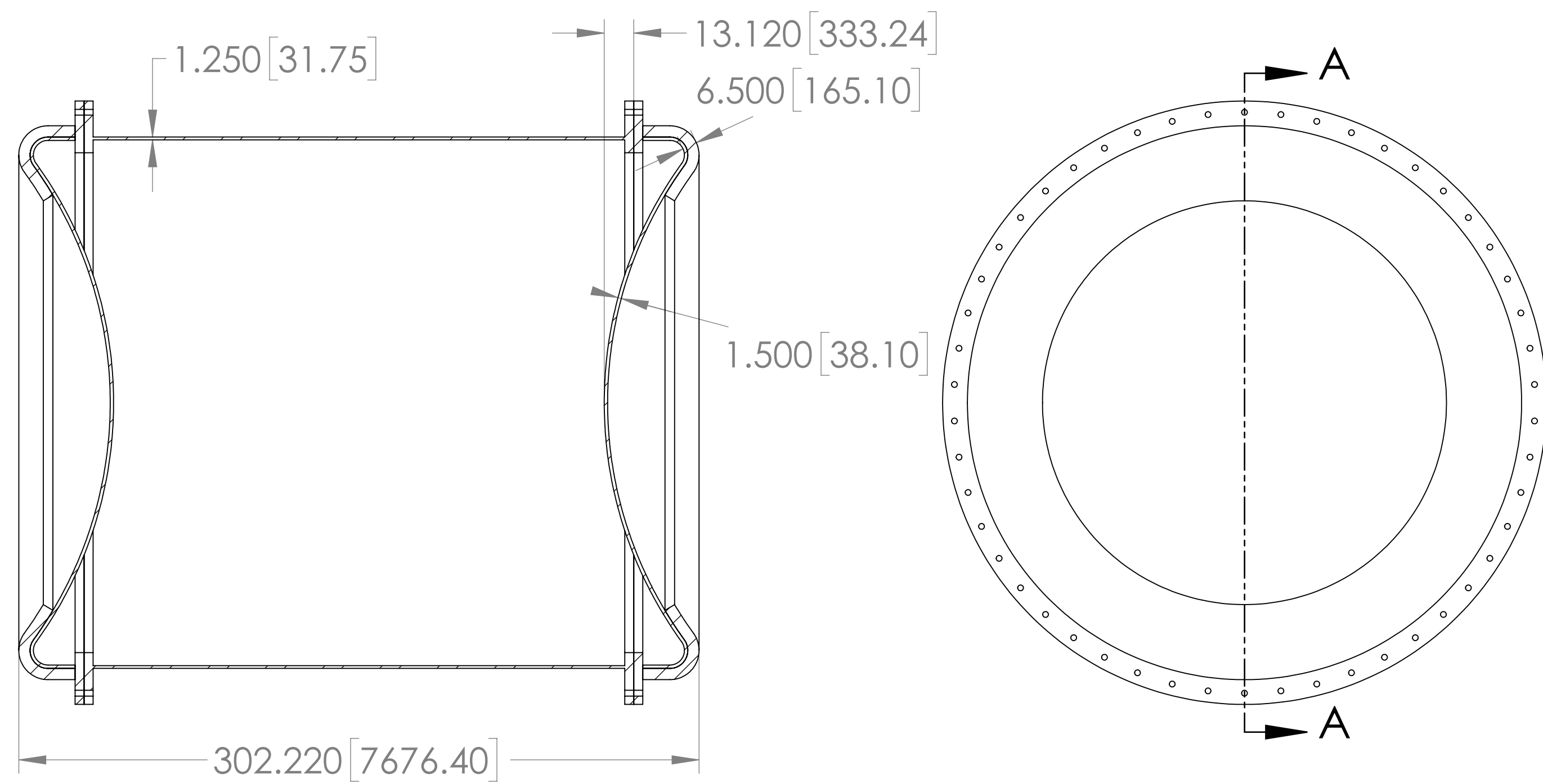
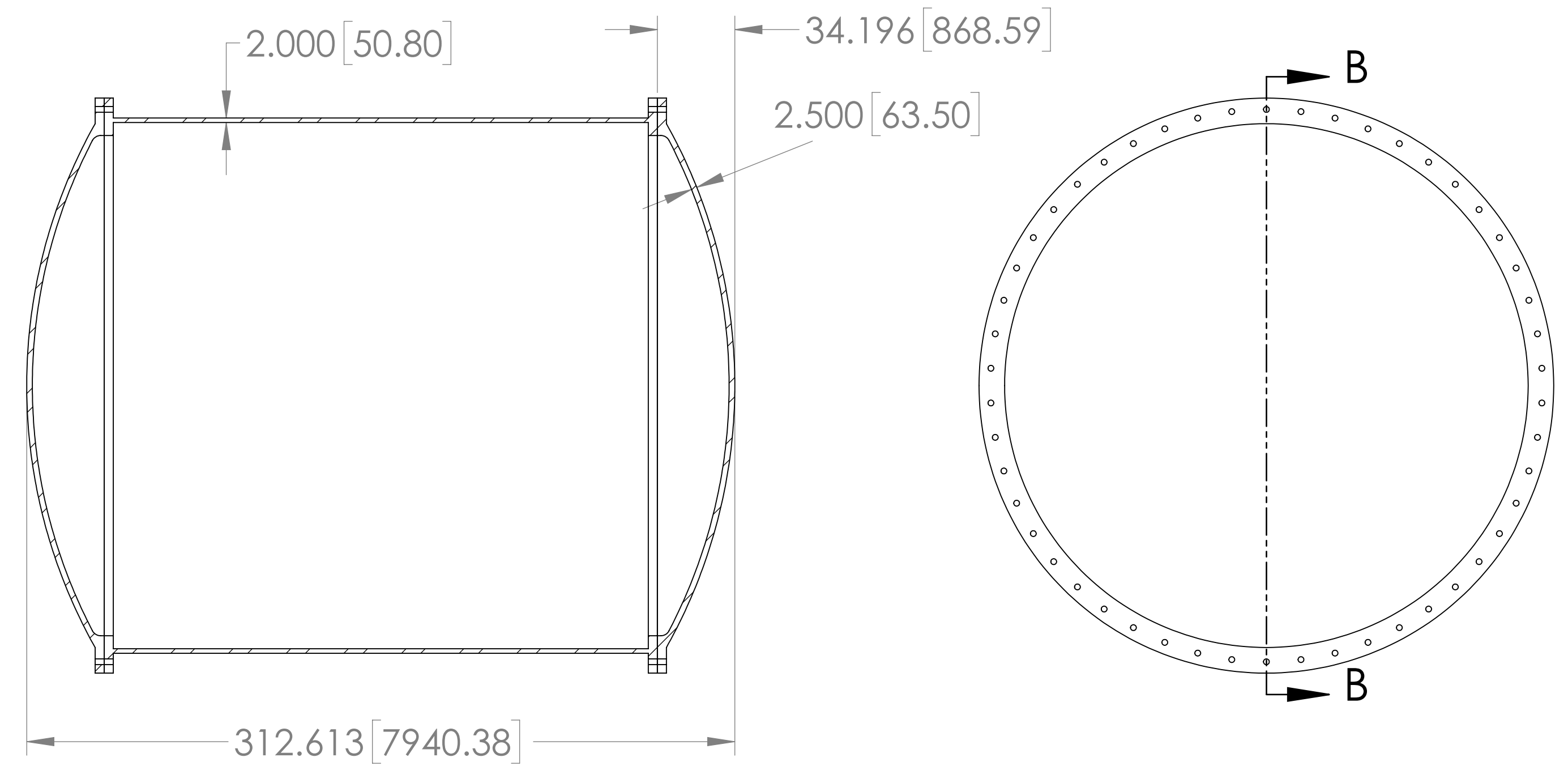


FLANGED CONNECTIONS

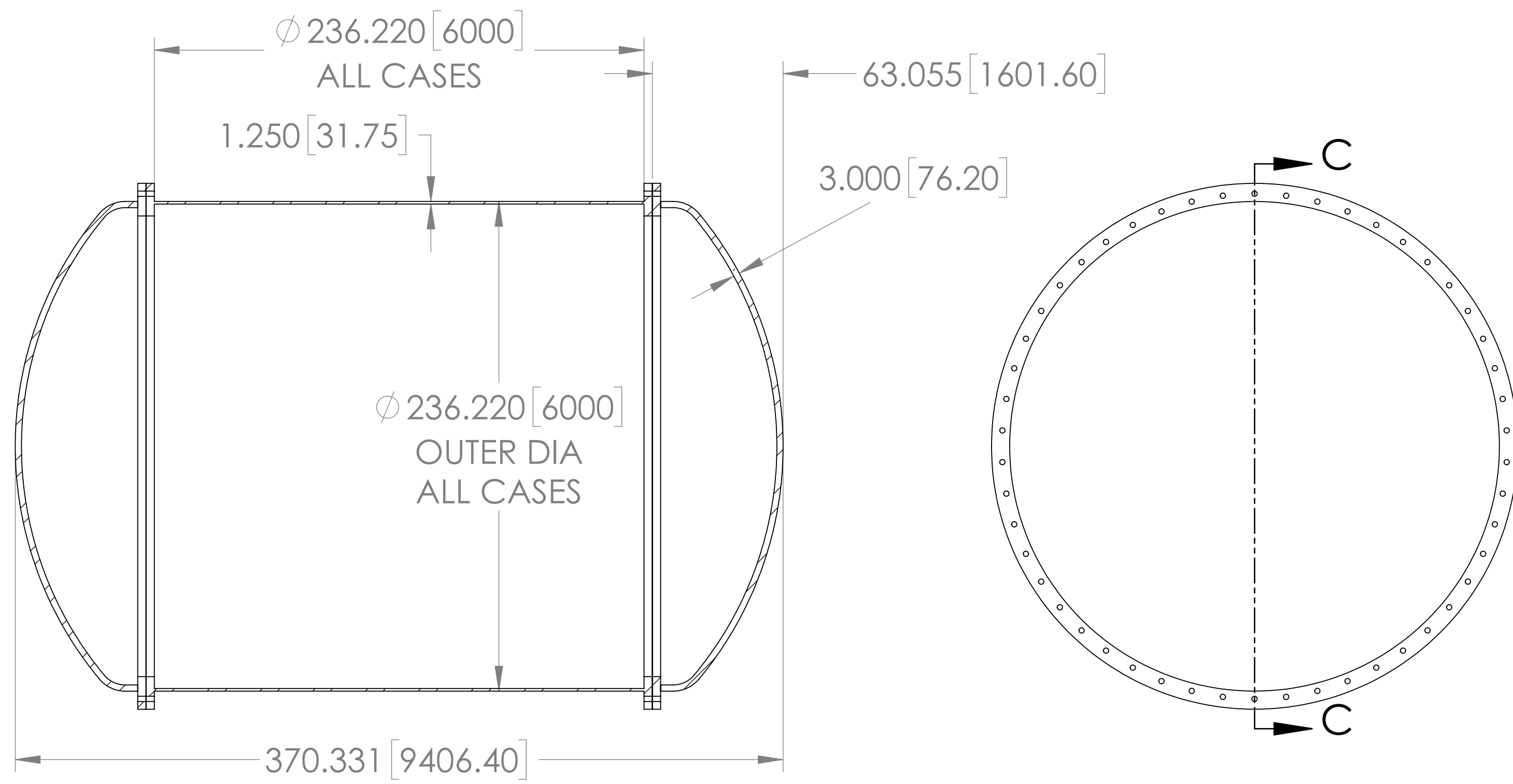




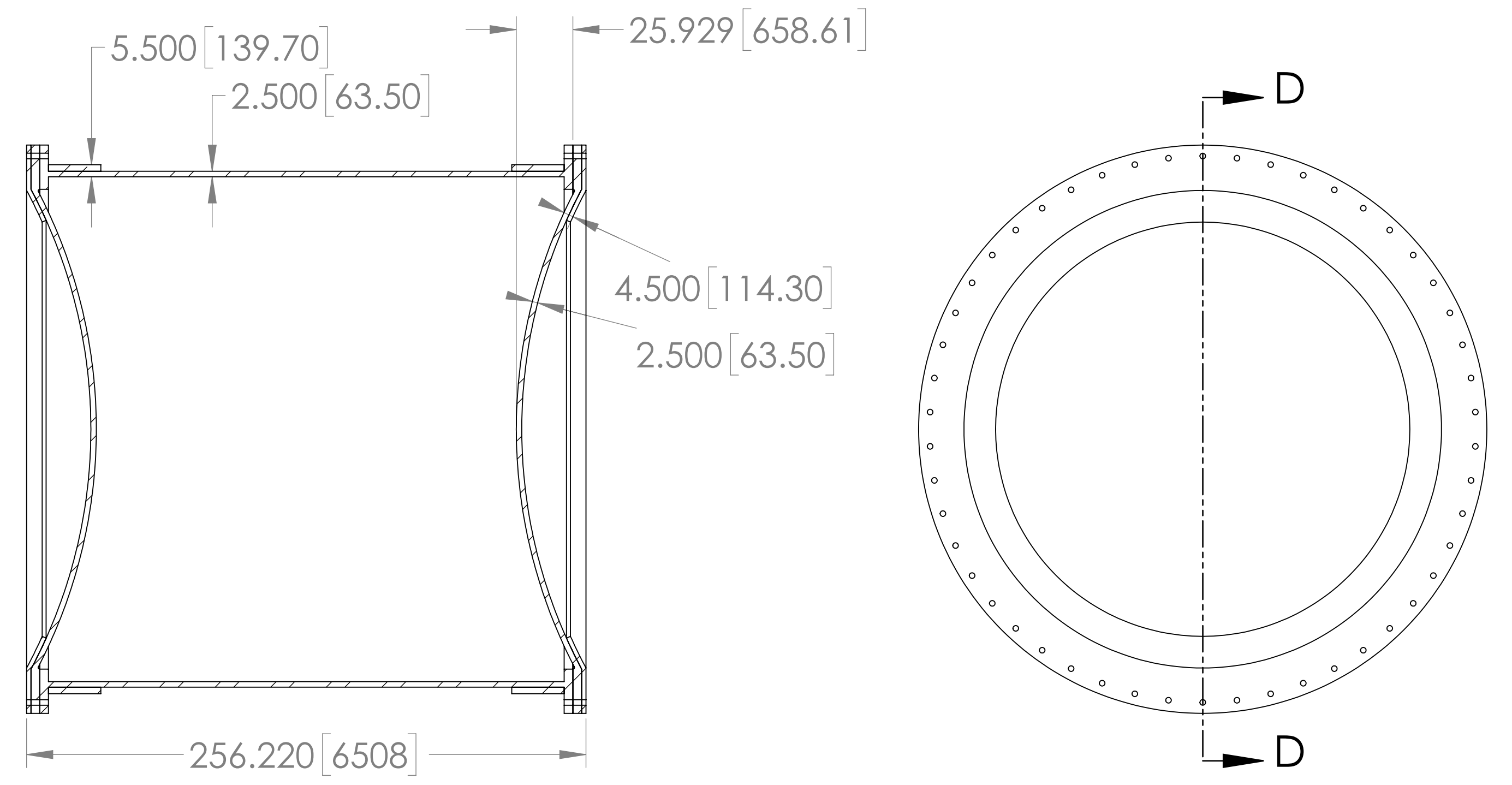
SECTION A-A
REVERSE DISHED & FLANGED



SECTION B-B
DISHED



SECTION C-C
SEMI ELLIPTICAL



SECTION D-D
REVERSE DISHED