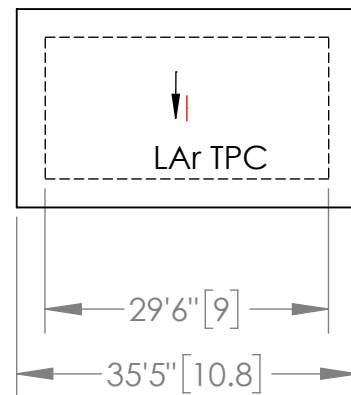
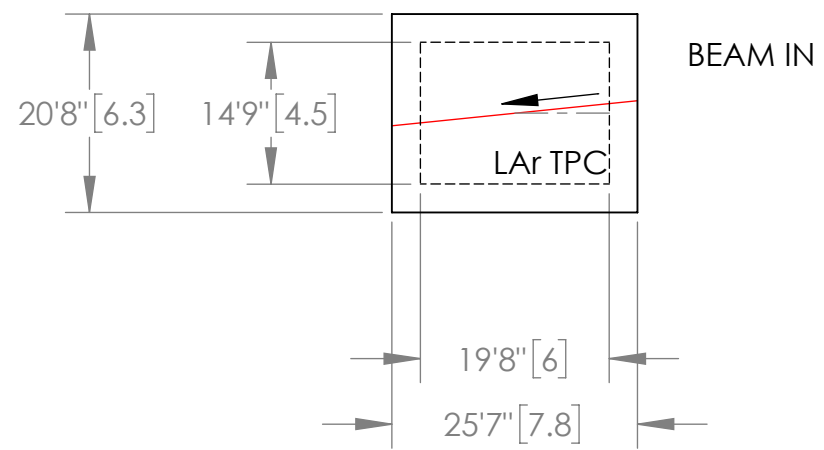
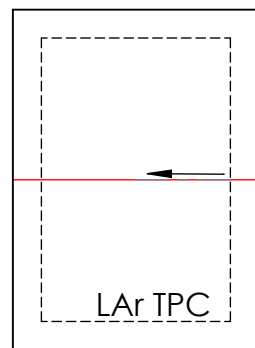


SCALE: 1 INCH=10 FEET  
 Dims shown are in FEET [METERS]  
 print full size on 11x17 paper

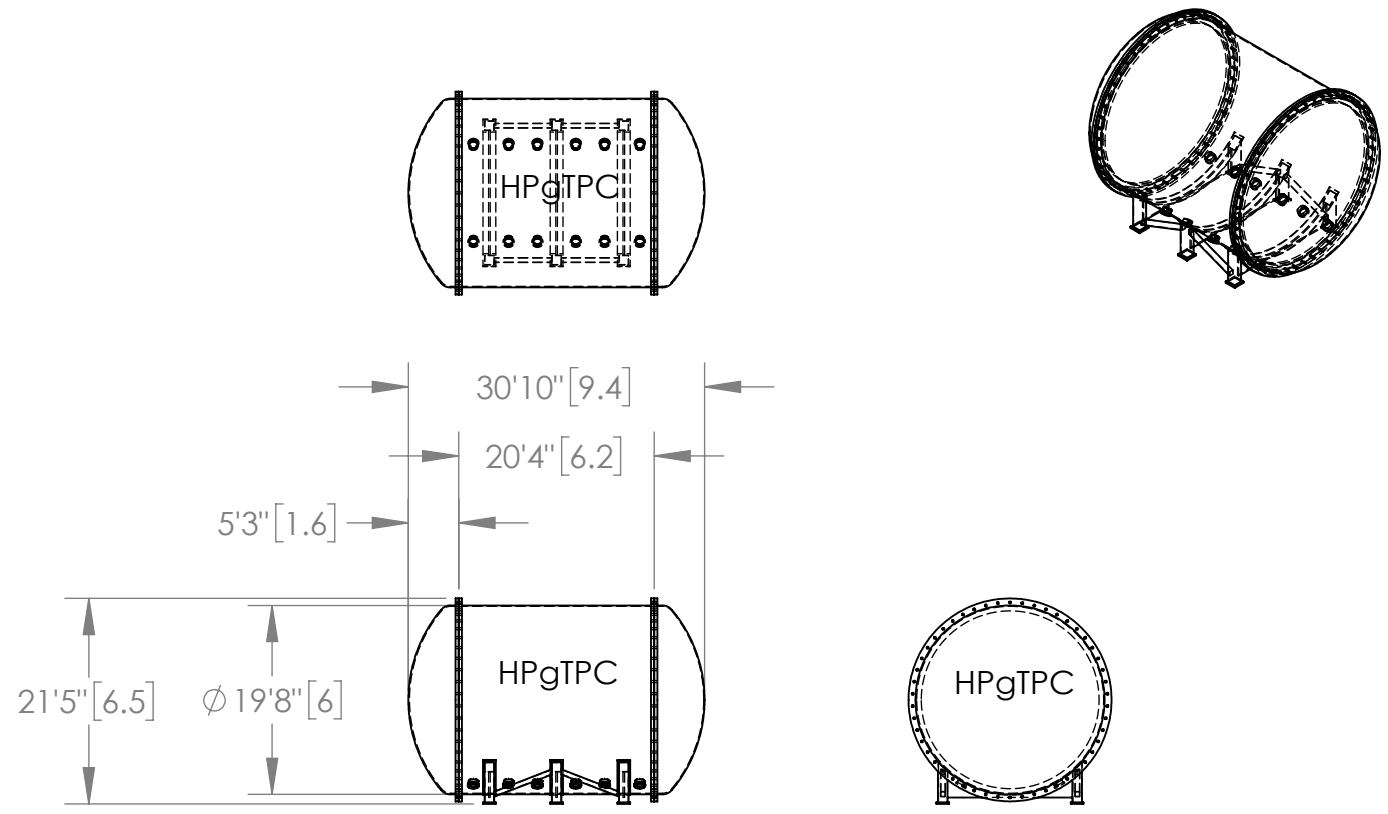
# NEAR DETECTOR CAVERN PROPOSED LAYOUT



SCALE: 1 INCH=10 FEET  
 Dims shown are in FEET[METERS]  
 print full size on 11x17 paper

# NEAR DETECTOR CAVERN PROPOSED LAYOUT

ROBERT FLIGHT  
 UNIV OF ROCHESTER  
 OCT 25, 2018



SCALE: 1 INCH=10 FEET  
 Dims shown are in FEET[METERS]  
 print full size on 11x17 paper

# NEAR DETECTOR CAVERN PROPOSED LAYOUT