

4

3

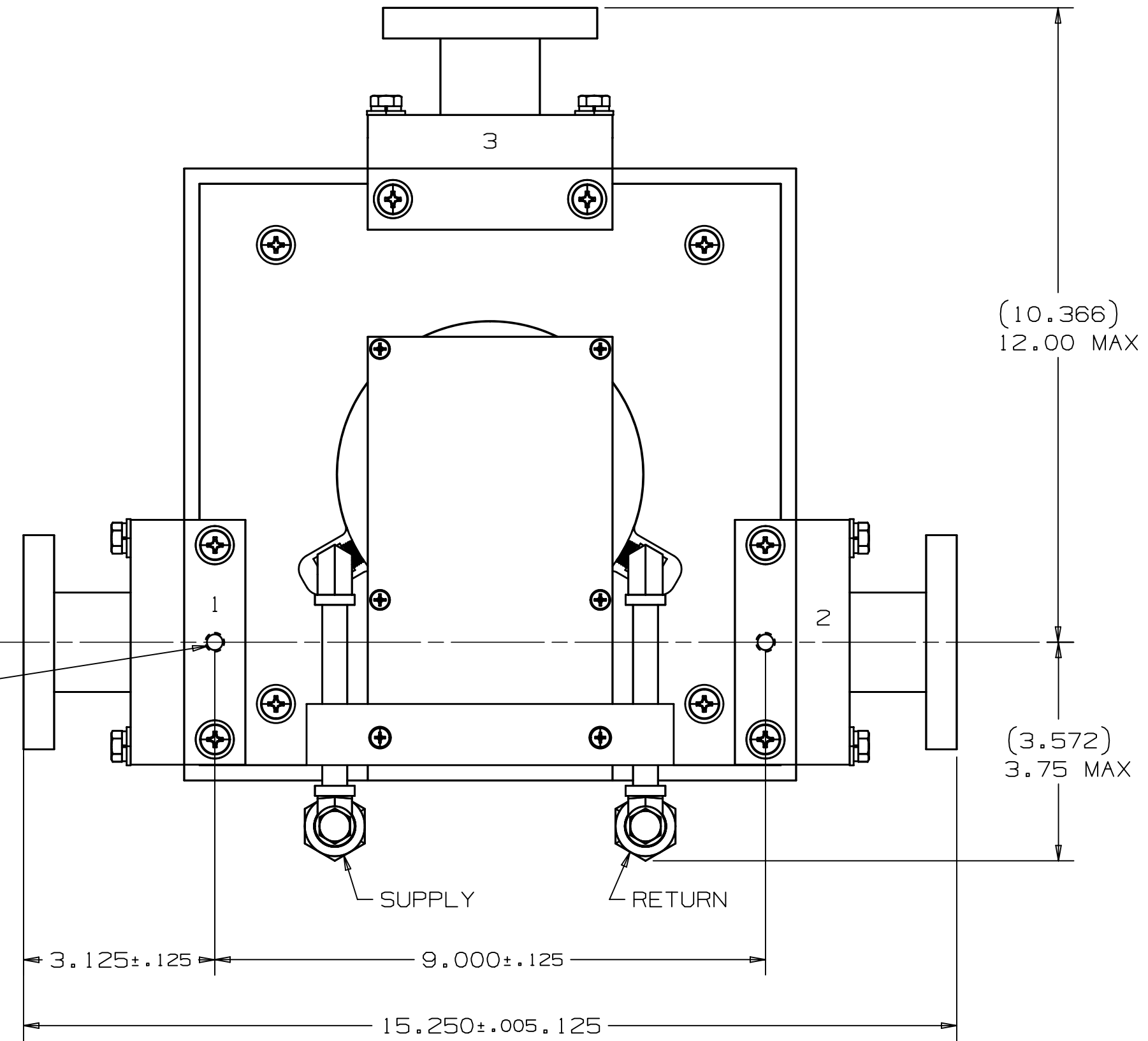
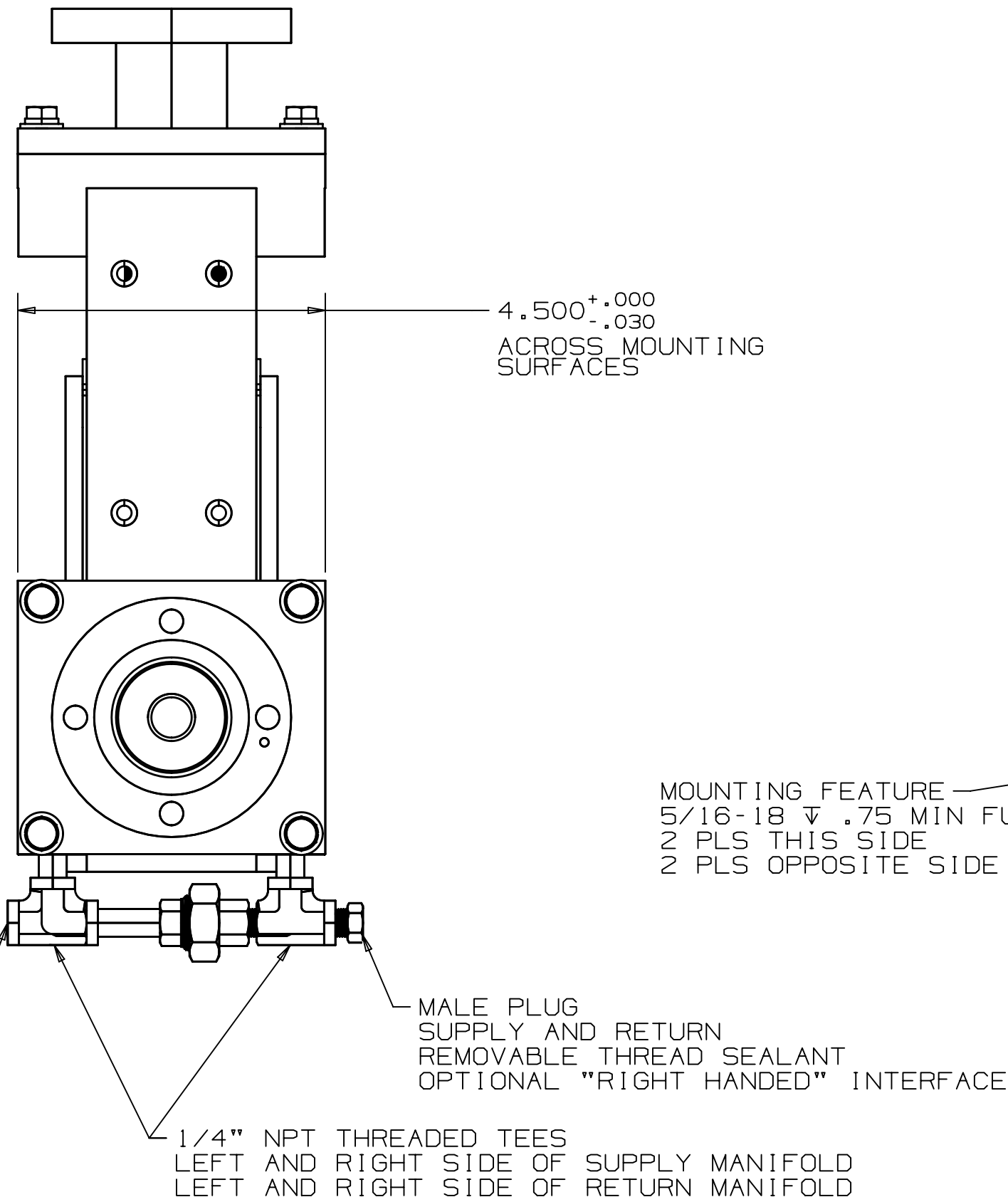
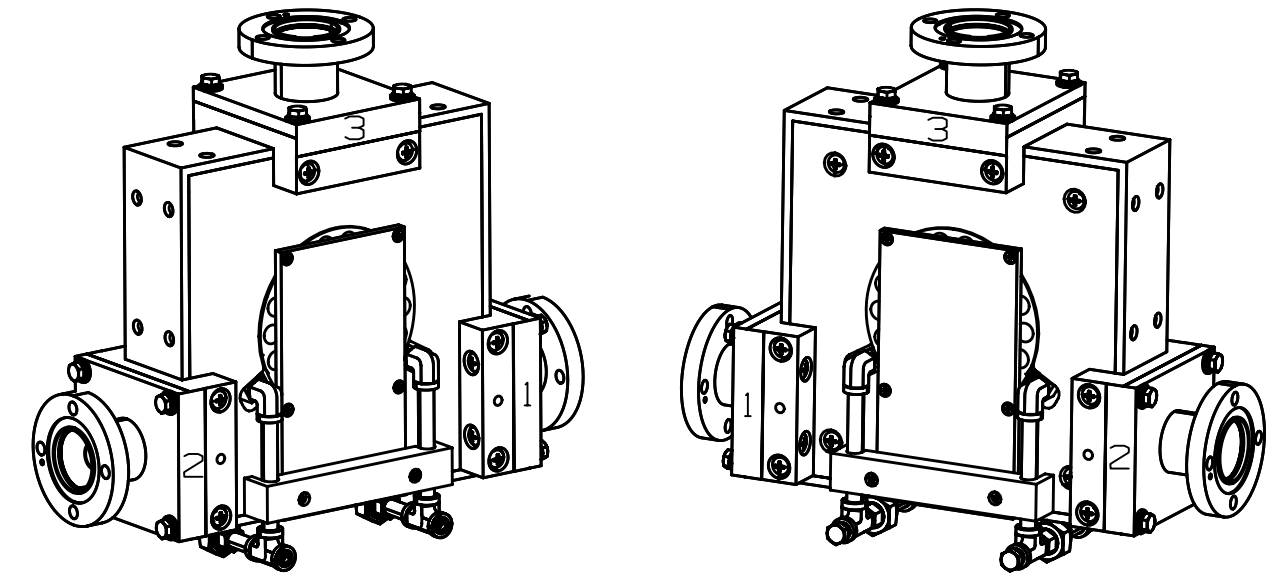
2

1

DESCRIPTION: CIRCULATOR, MCMANUS MODEL 299, VENDOR CONTROL DRAWING
CATEGORY: PROJECT:

| REV | REVISION CONTROL DOCUMENT | DATES | SIGNATURES |
|-----|---------------------------|-------|-------------------|
| - | F10088790---RCD | | DRAWN APPROVED |

NOTE:
THIS DRAWING SPECIFIES DIMENSIONS AND FEATURES
NEEDED FOR THE INTERFACE/INSTALLATION AT FERMILAB.
DESIGN CHANGES AFFECTING THESE DIMENSIONS/SPECIFICATIONS
REQUIRE APPROVAL FROM THE RESPONSIBLE ENGINEER AT FERMILAB



1/4" NPT FEMALE THREAD
SUPPLY AND RETURN
DEFAULT "LEFT HANDED" INTERFACE

MALE PLUG
SUPPLY AND RETURN
REMOVABLE THREAD SEALANT
OPTIONAL "RIGHT HANDED" INTERFACE

MOUNTING FEATURE
5/16-18 x .75 MIN FULL THREAD
2 PLS THIS SIDE
2 PLS OPPOSITE SIDE

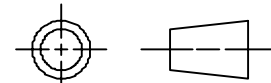
4.500^{+0.000}
-.030
ACROSS MOUNTING
SURFACES

(10.366)
12.00 MAX

(3.572)
3.75 MAX

| UNLESS OTHERWISE SPECIFIED | | | | |
|----------------------------|------|-------|------|-----|
| ±.X | ±.XX | ±.XXX | ±X/X | ±X* |
| .1 | .02 | .005 | 1/16 | 1* |

BREAK ALL SHARP EDGES .015 MAX.
DO NOT SCALE DRAWING
DIMENSIONS BASED ON ASME Y14.5-2009
MAX. ALL MACH SURFACES 125
DRAWING UNITS: INCHES



| | | | |
|---------------------------------------|--------------|------------------|-------------|
| DRAWN | C.BAFFES | DATE | 19-Oct-2017 |
| CHECKED | T.HAMERLA | DATE | 10-Nov-2017 |
| APPROVED | D.W.PETERSON | DATE | 17-Nov-2017 |
| BASED ON | | | |
| MATERIAL | | | |
| GROUP: Accelerator Mechanical Support | | CAGE CODE: OUSR6 | |

FERMI NATIONAL ACCELERATOR LABORATORY
UNITED STATES DEPARTMENT OF ENERGY

NAME: CIRCULATOR, MCMANUS MODEL 299, VENDOR CONTROL DRAWING

| SCALE | SIZE | DRAWING NUMBER | SHEET | REV |
|-------|------|----------------|--------|-----|
| NONE | C | F10088790 | 1 of 1 | - |

4

3

4

2

1

A