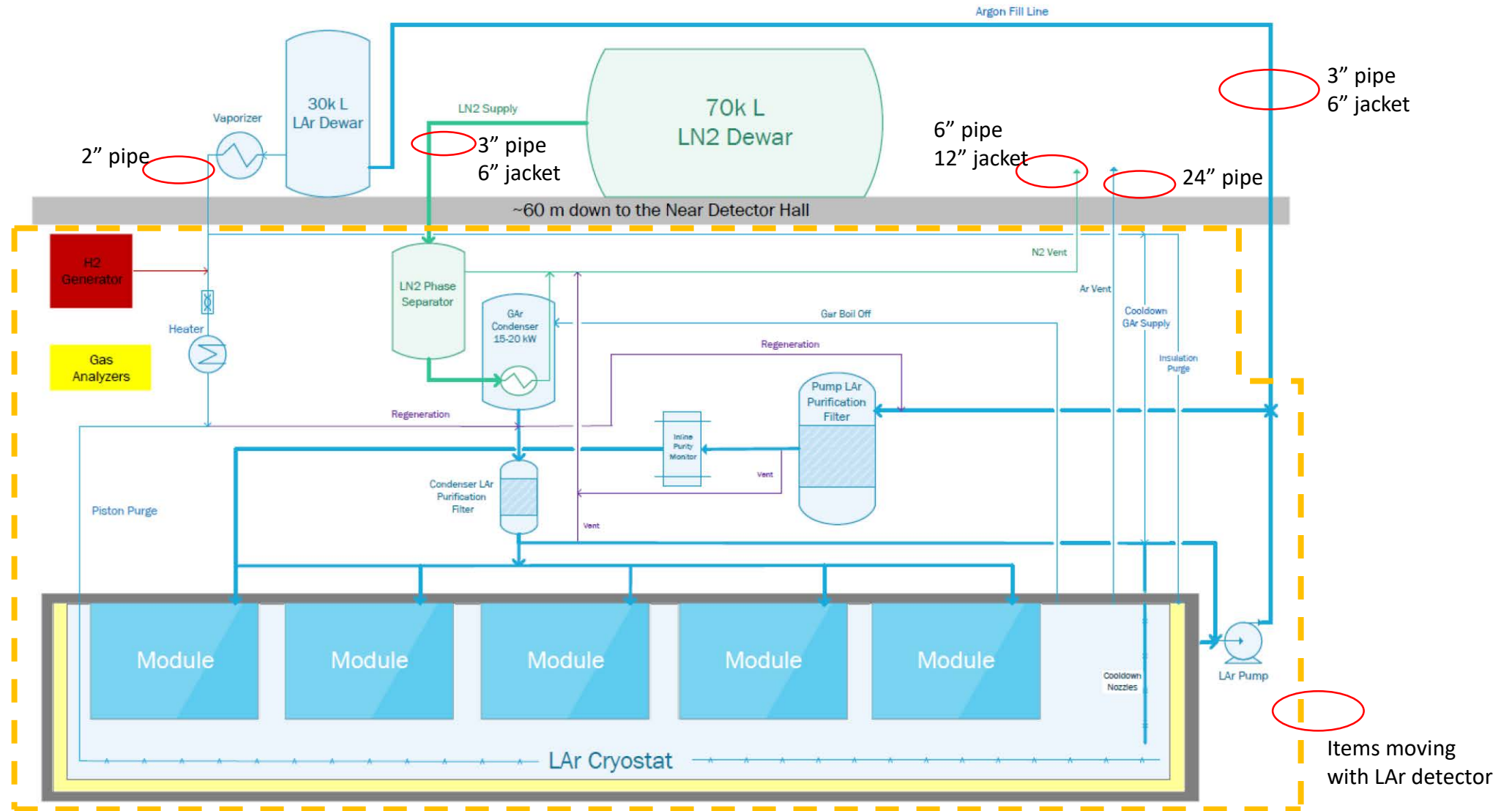


Current Proposal for LAr Cryogenic System Design



Process Flow Diagram (PFD)