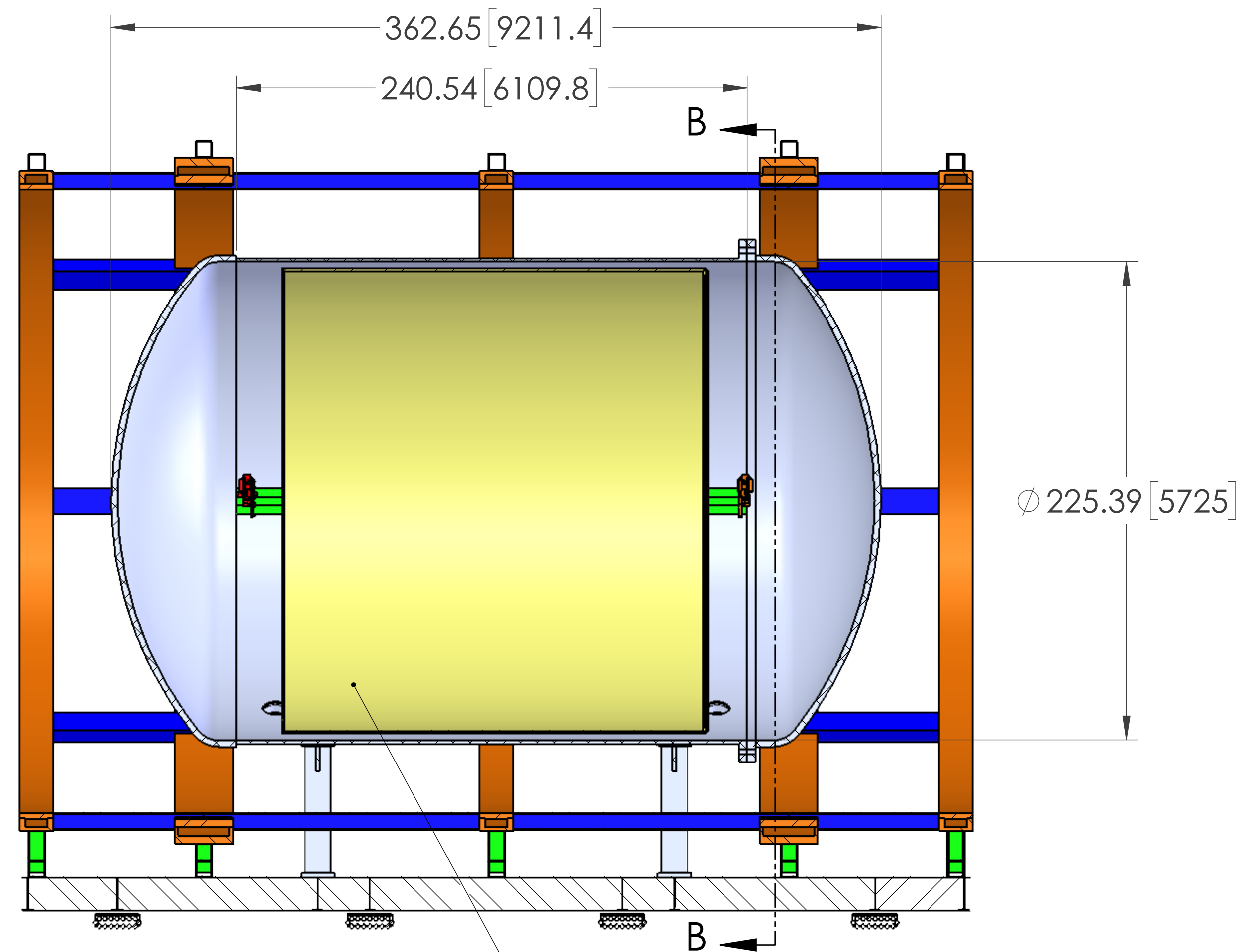
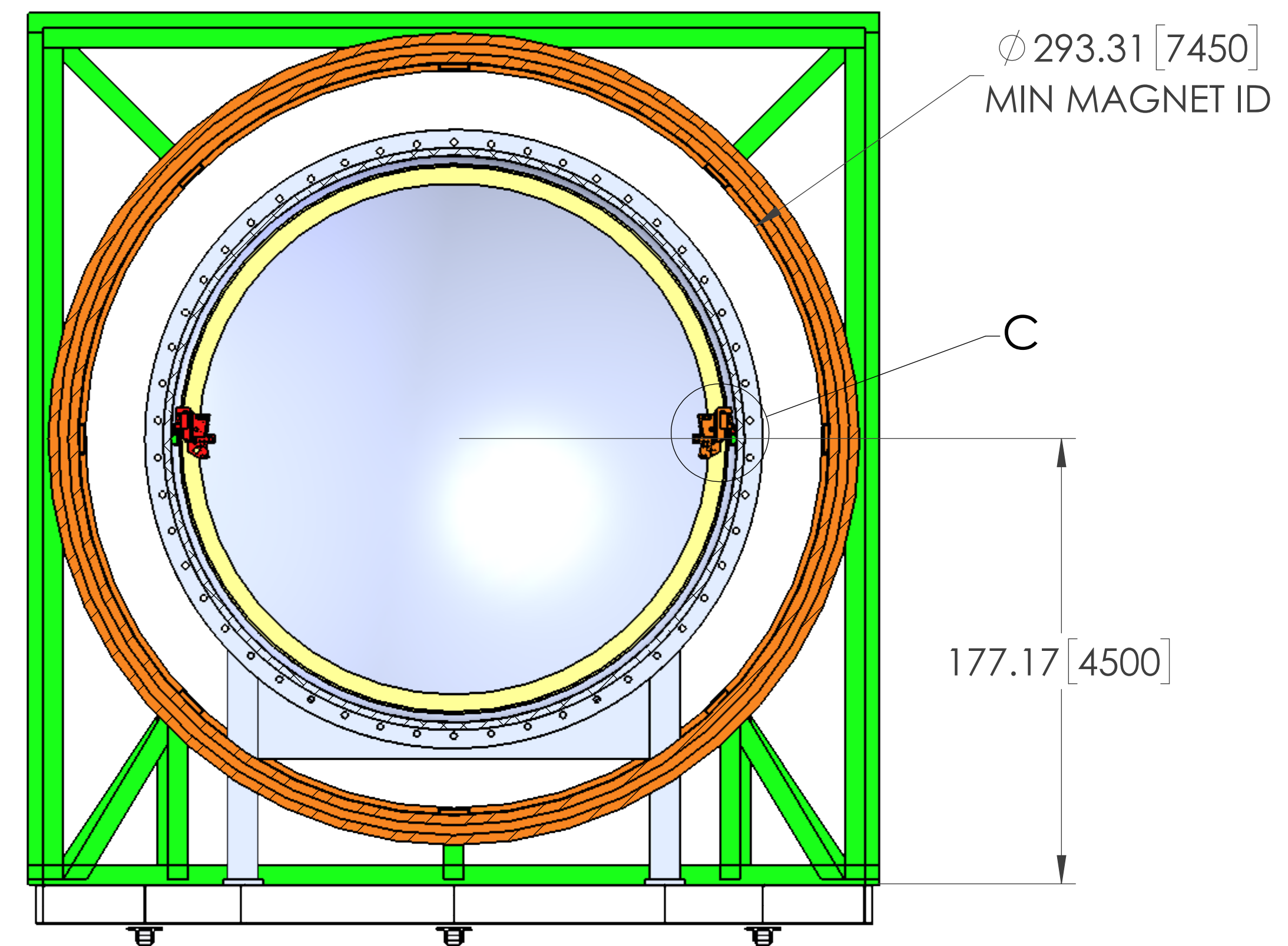


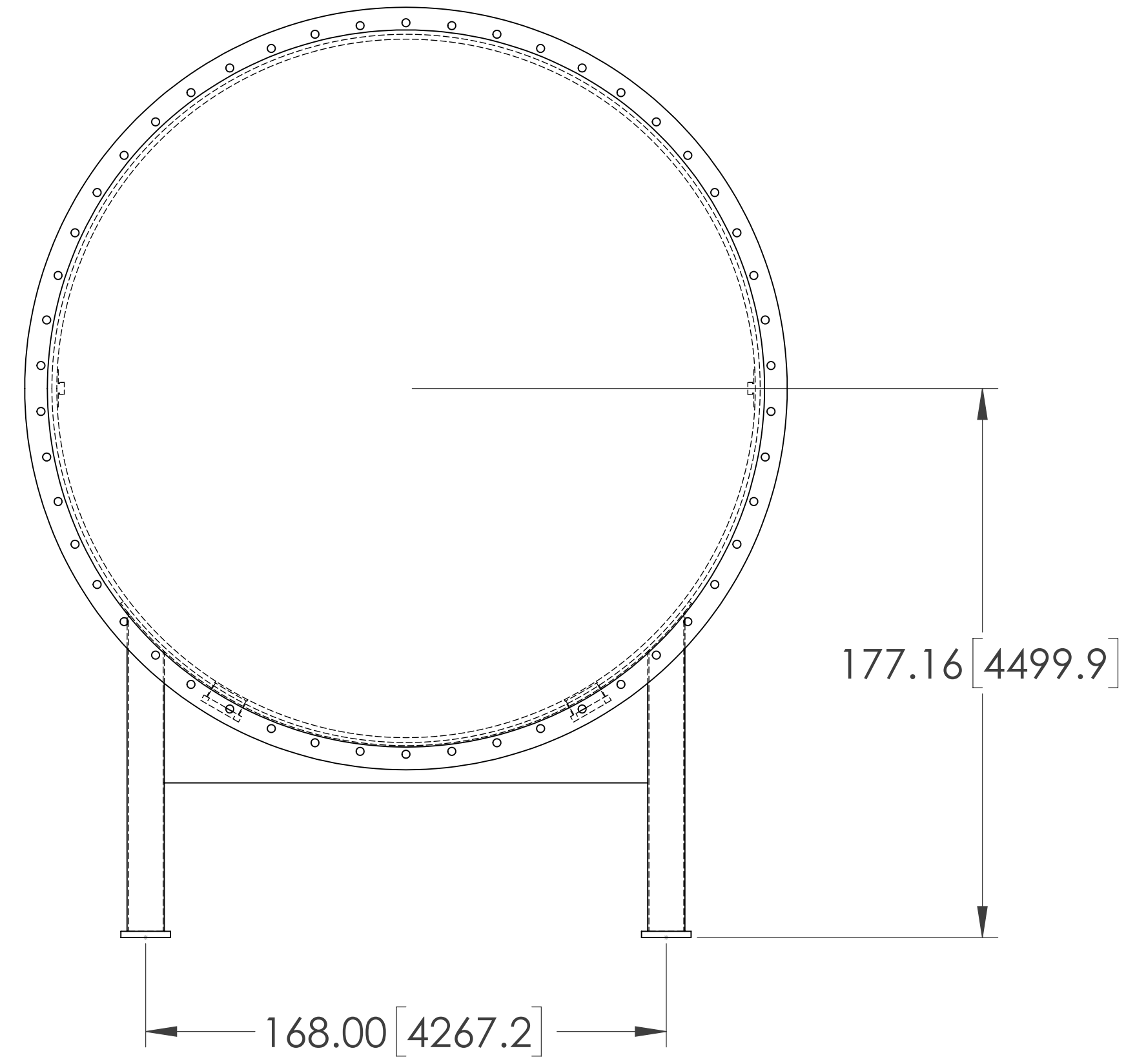
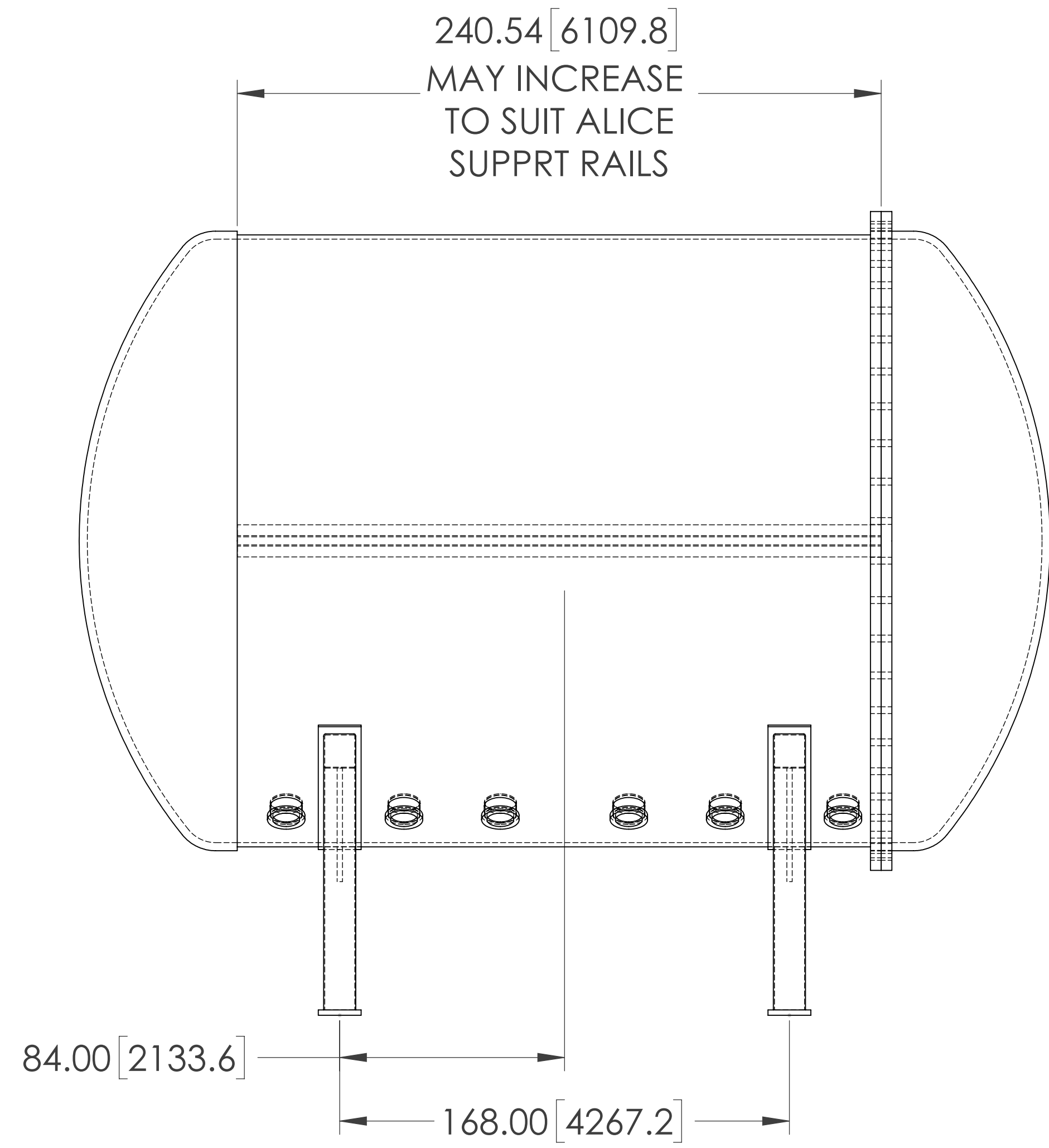
ENLARGED VIEW OF ALICE HANGER &
BUDGETED SPACE FOR HANGER RAILS
DETAIL C
SCALE 1 : 10



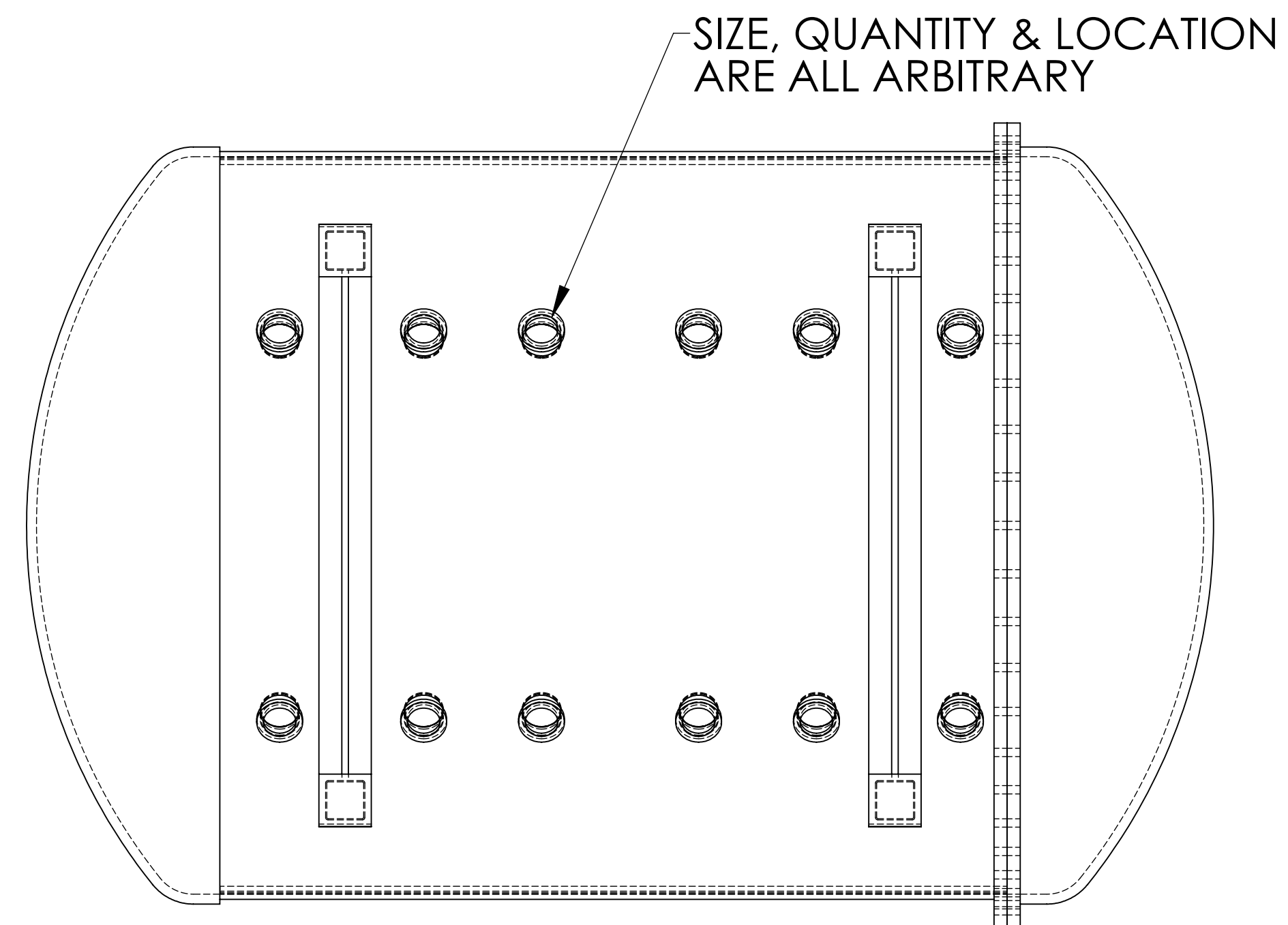
SIMPLIFIED ALICE GEOMETRY
SECTION A-A



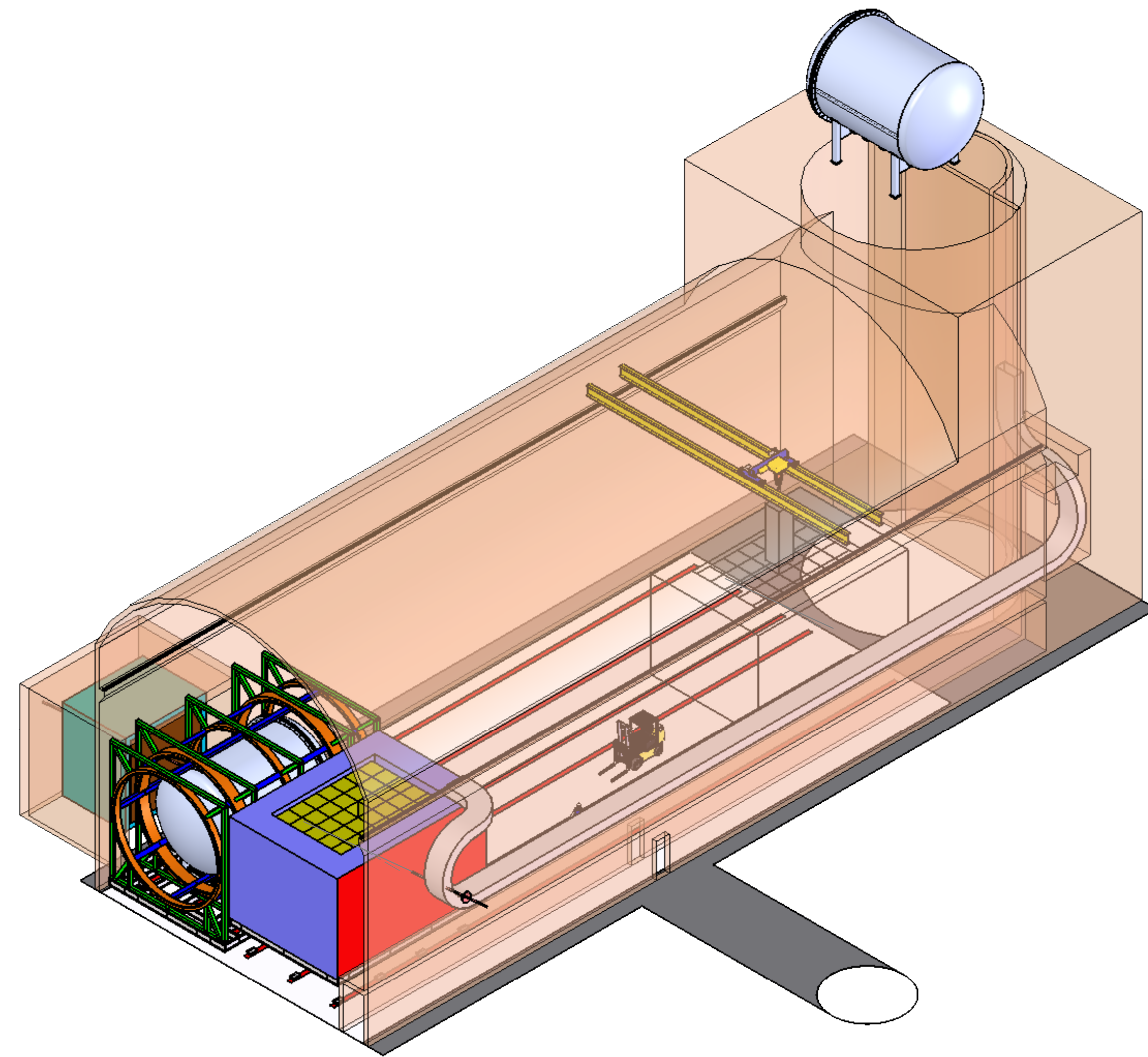
SECTION B-B



REMOVABLE LEGS TO ALLOW MAGNET ASSEMBLY
TENTATIVE DIMENSIONS SHOW, PENDING MAGNET DESIGN

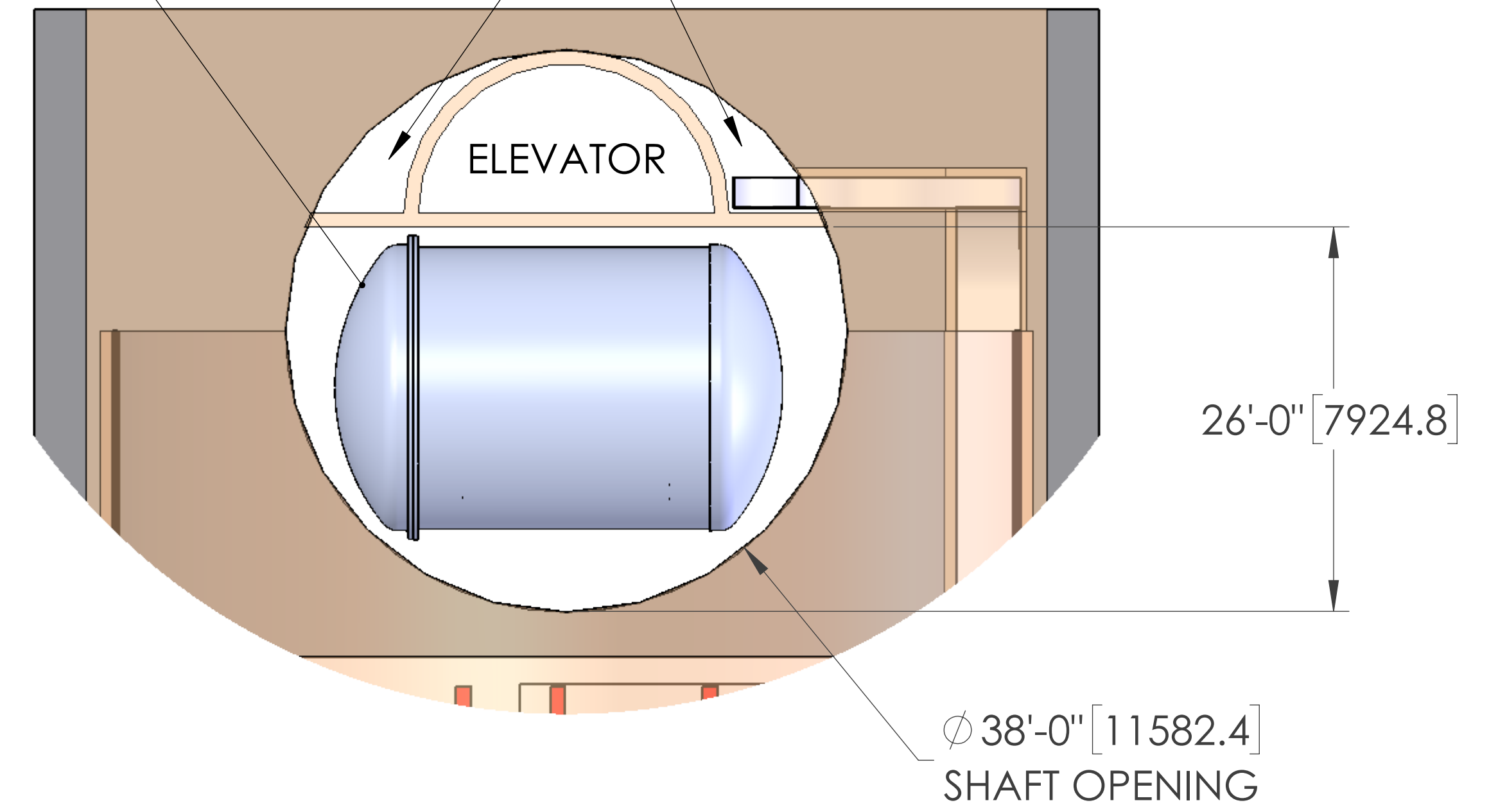


TANK BEING LOWERED INTO THE CAVERN THROUGH A VERTICAL SHAFT



SEMI ELLIPTICAL HEADS
BARELY FIT

SPACE FOR UTILITIES



CURRENT INSTALLATION PLAN,
LOWER COMPLETED TANK INTO CAVERN