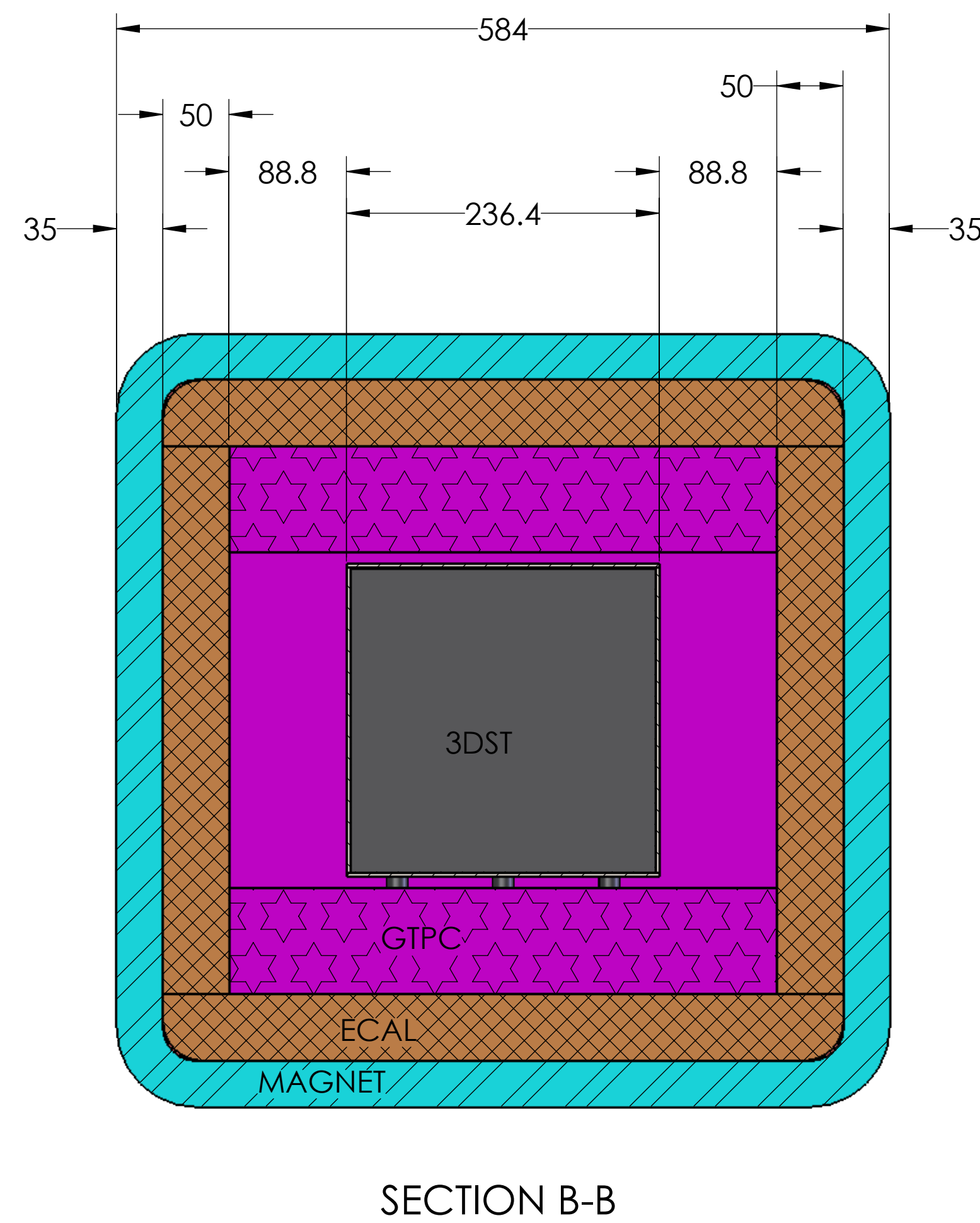
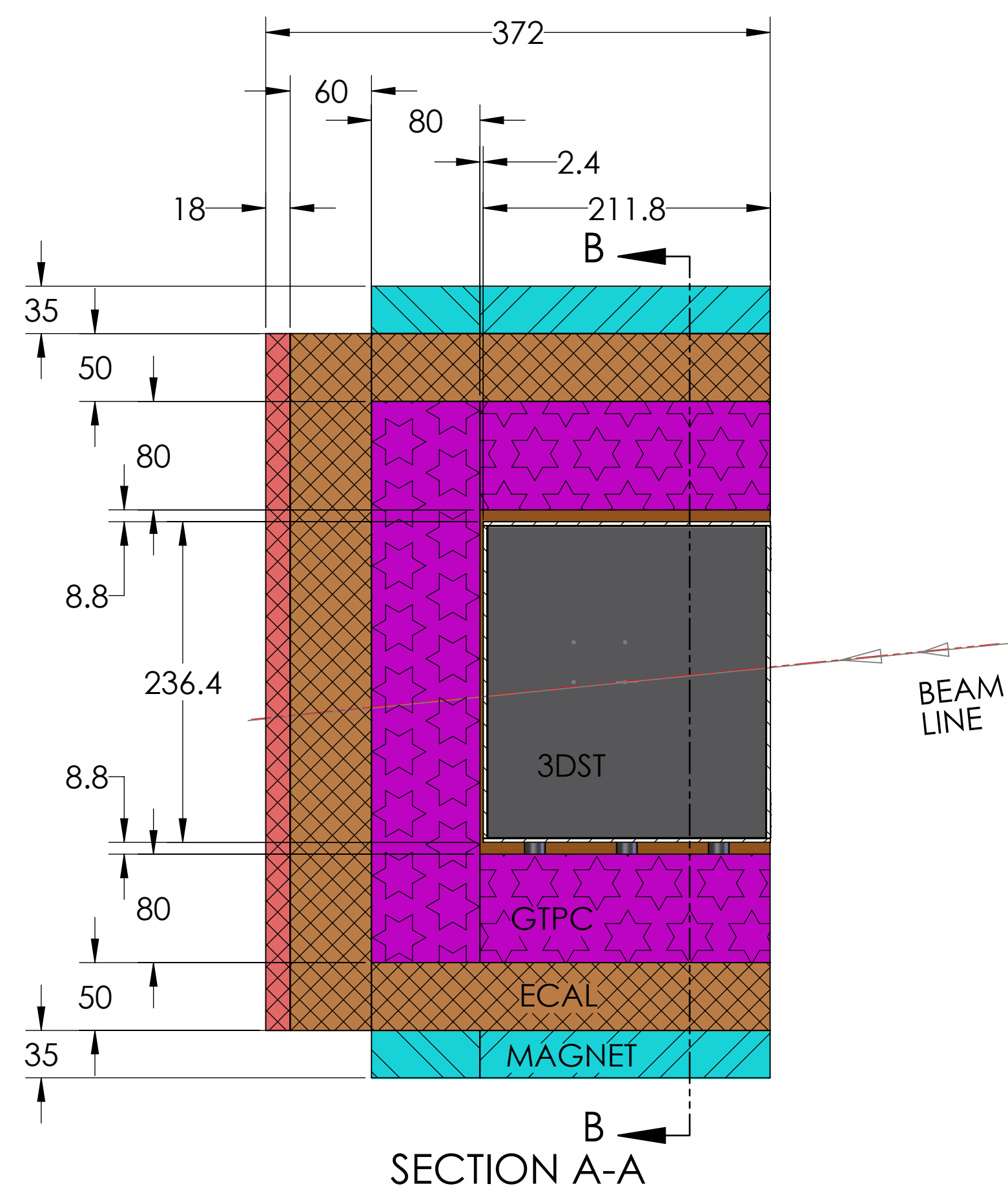
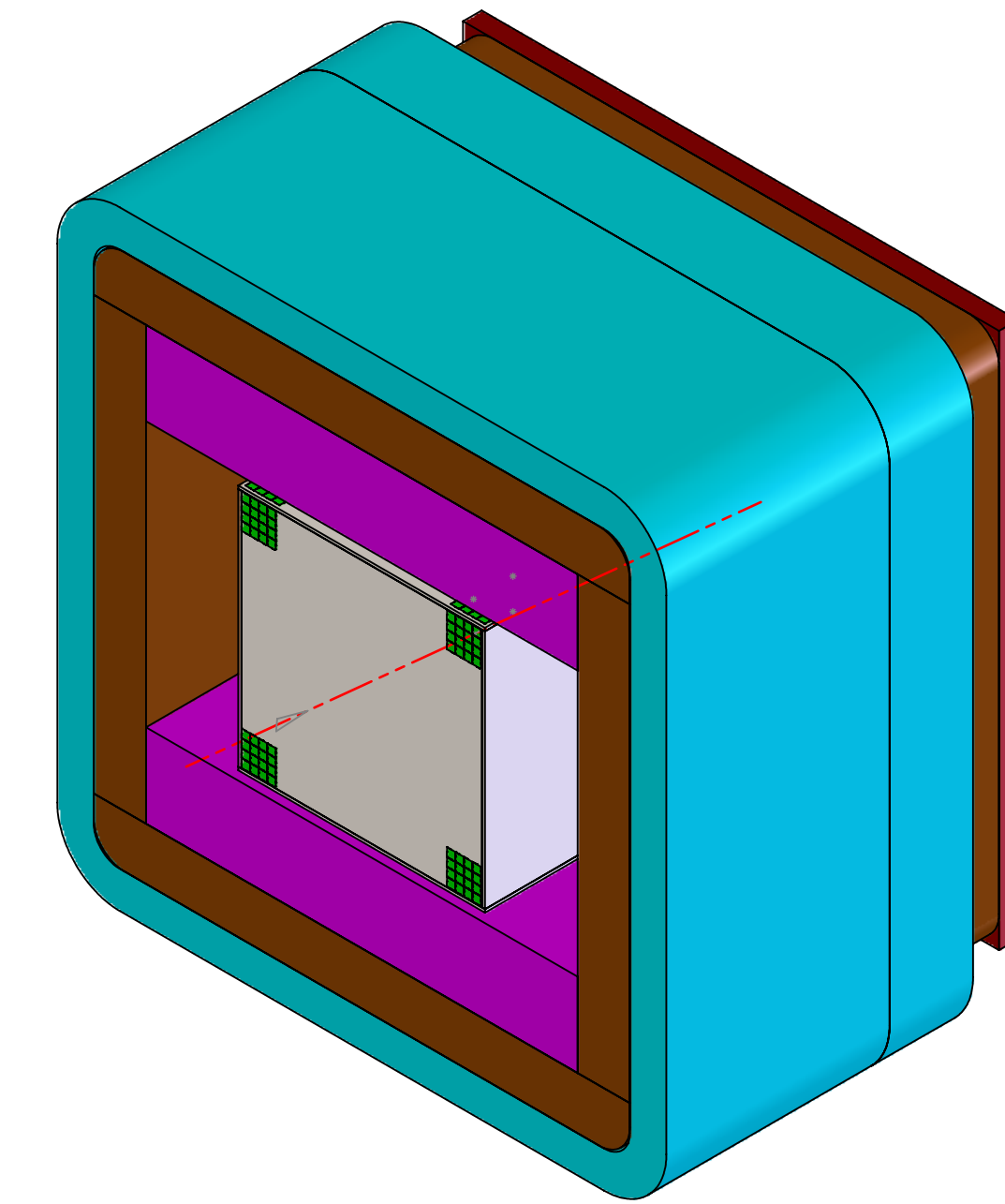
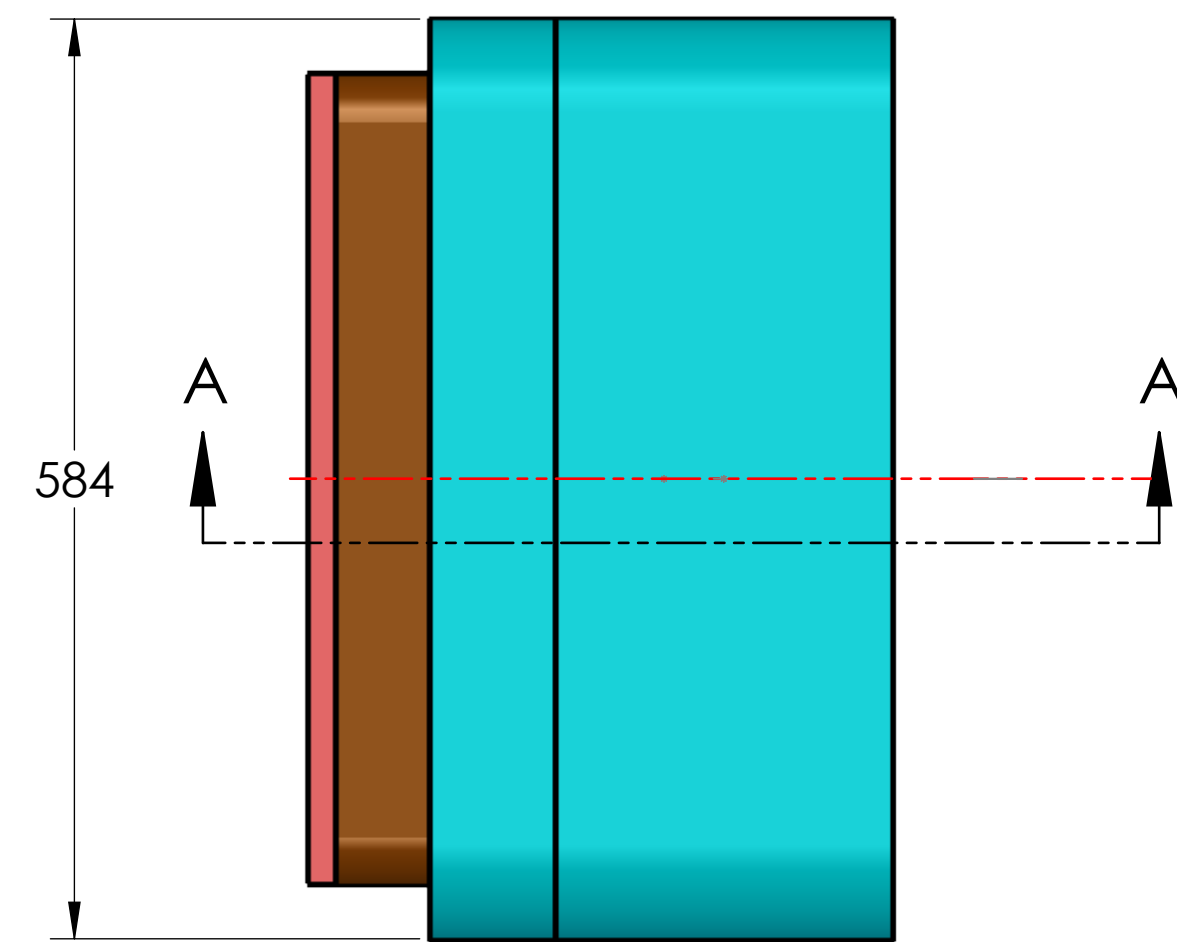


28 x 28 x 25 ARRANGEMENT
STAGE 01



28 x 28 x 25 ARRANGEMENT
STAGE 02