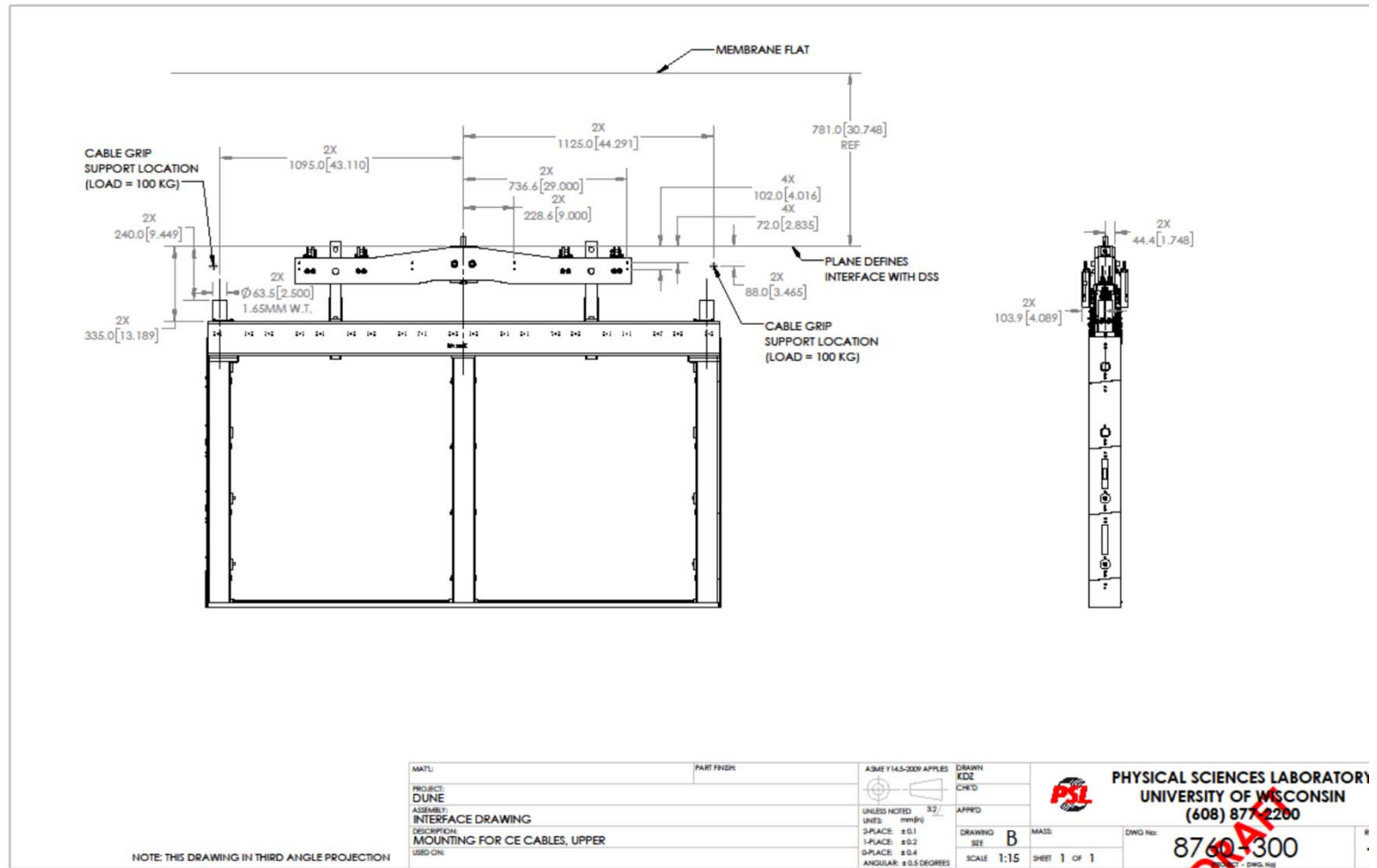


Upper APA CE support and Lower APA CE Transition

Slides provided by Kyle Zeg

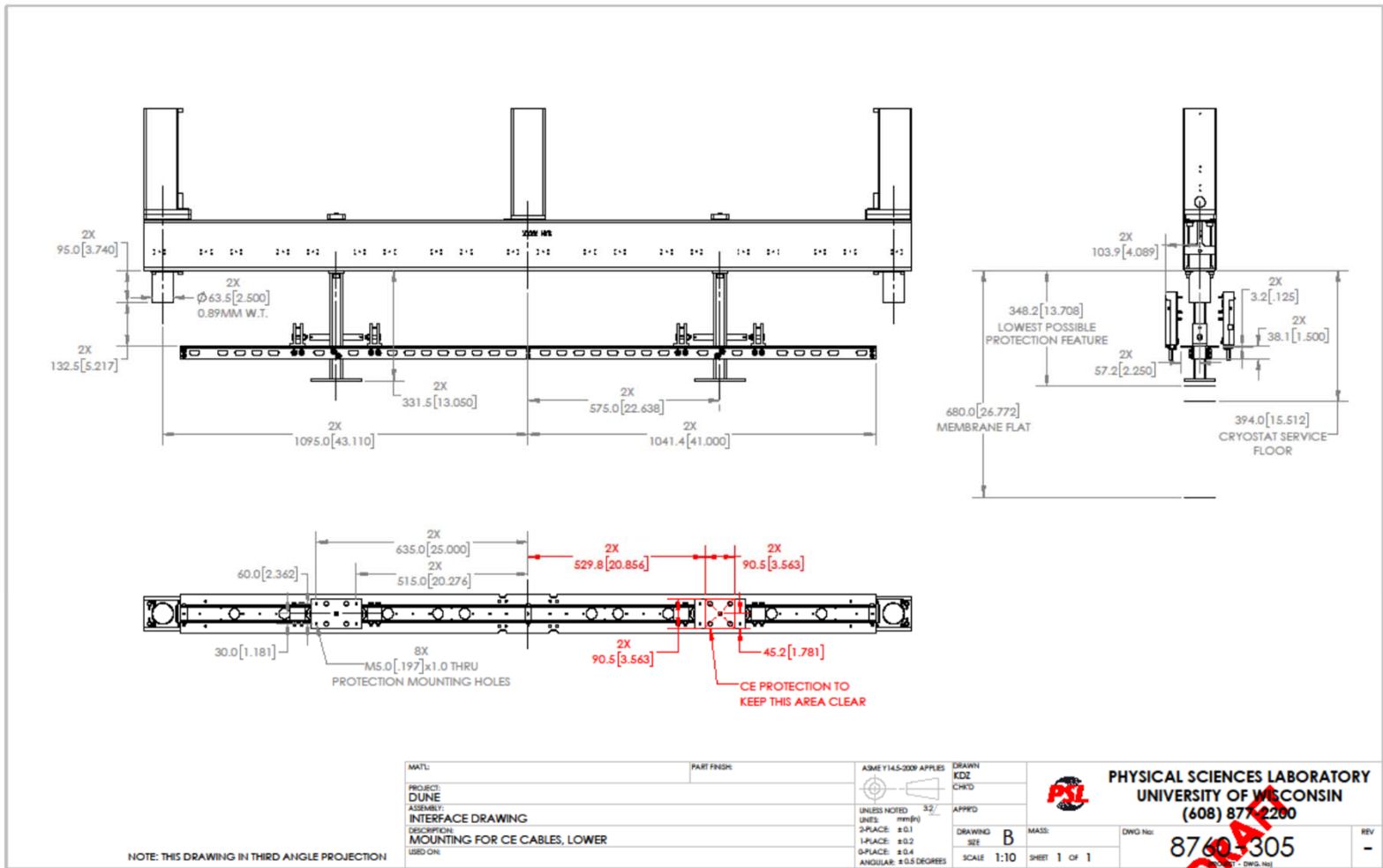
2088736 Interface Drawing: Upper APA



May 31, 2019

2

2088736 Interface Drawing: Lower APA



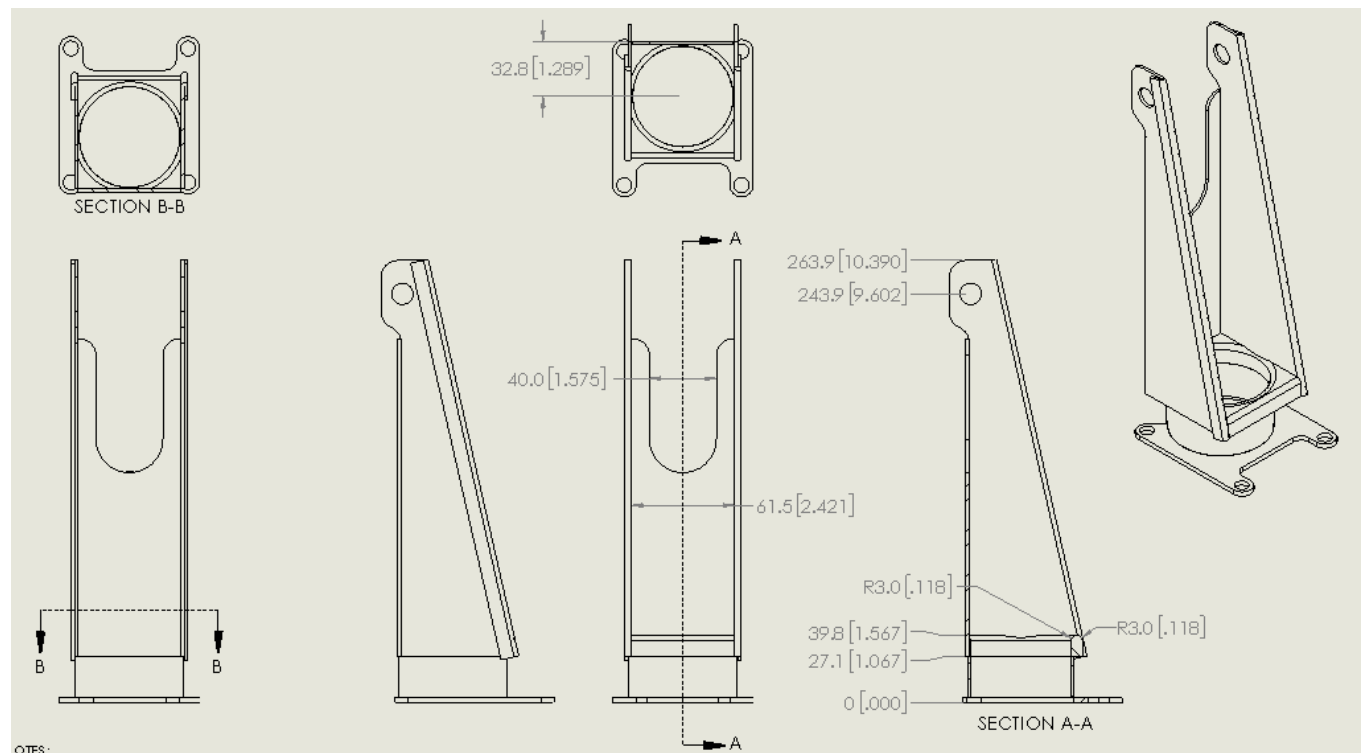
C:\PSL\Gouf\DUNE\INTERFACE\8760305

Comments on the CE cable “guide”

- Common to Upper and Lower APA
 - Mounted on the head end of the conduit assembly
 - Guidance and protection at the conduit opening
 - AKA: horn/funnel/flare/guide
- Specific to Upper APA
 - Support for CE cable bundle running through the conduit. Each support has a 100kg design load.

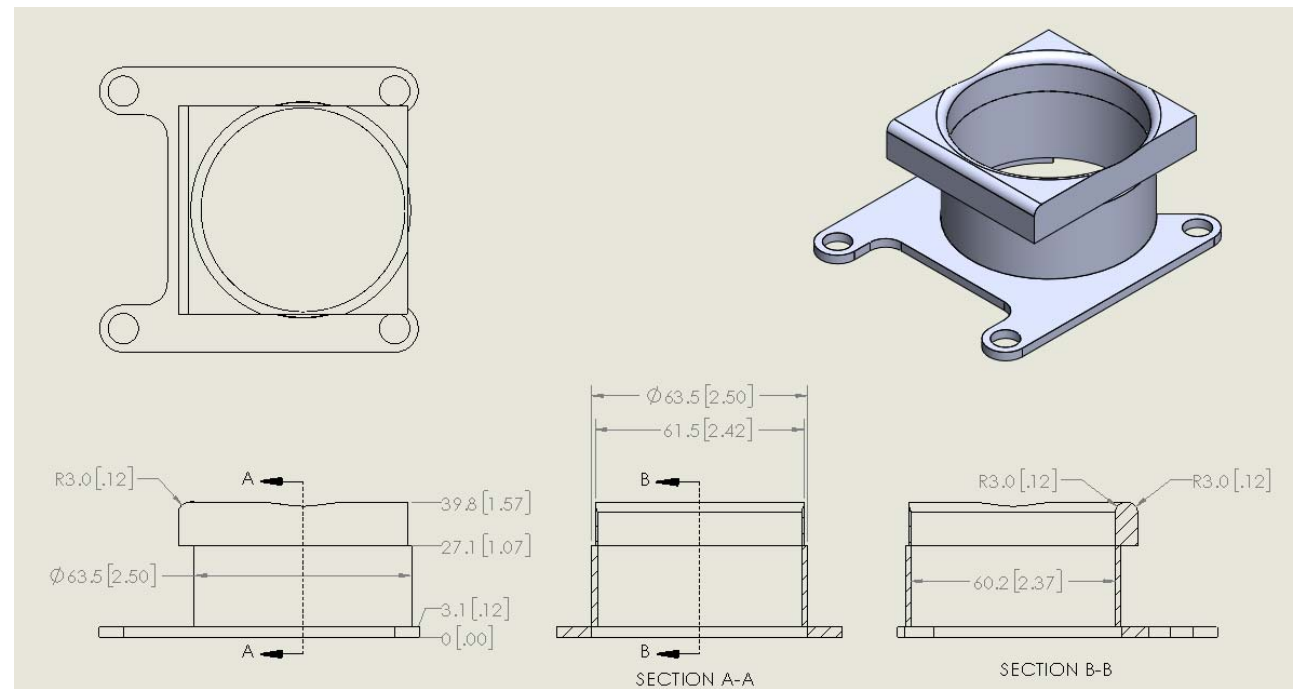
Possible Support Geometry

- Options for geometry are available but space is limited

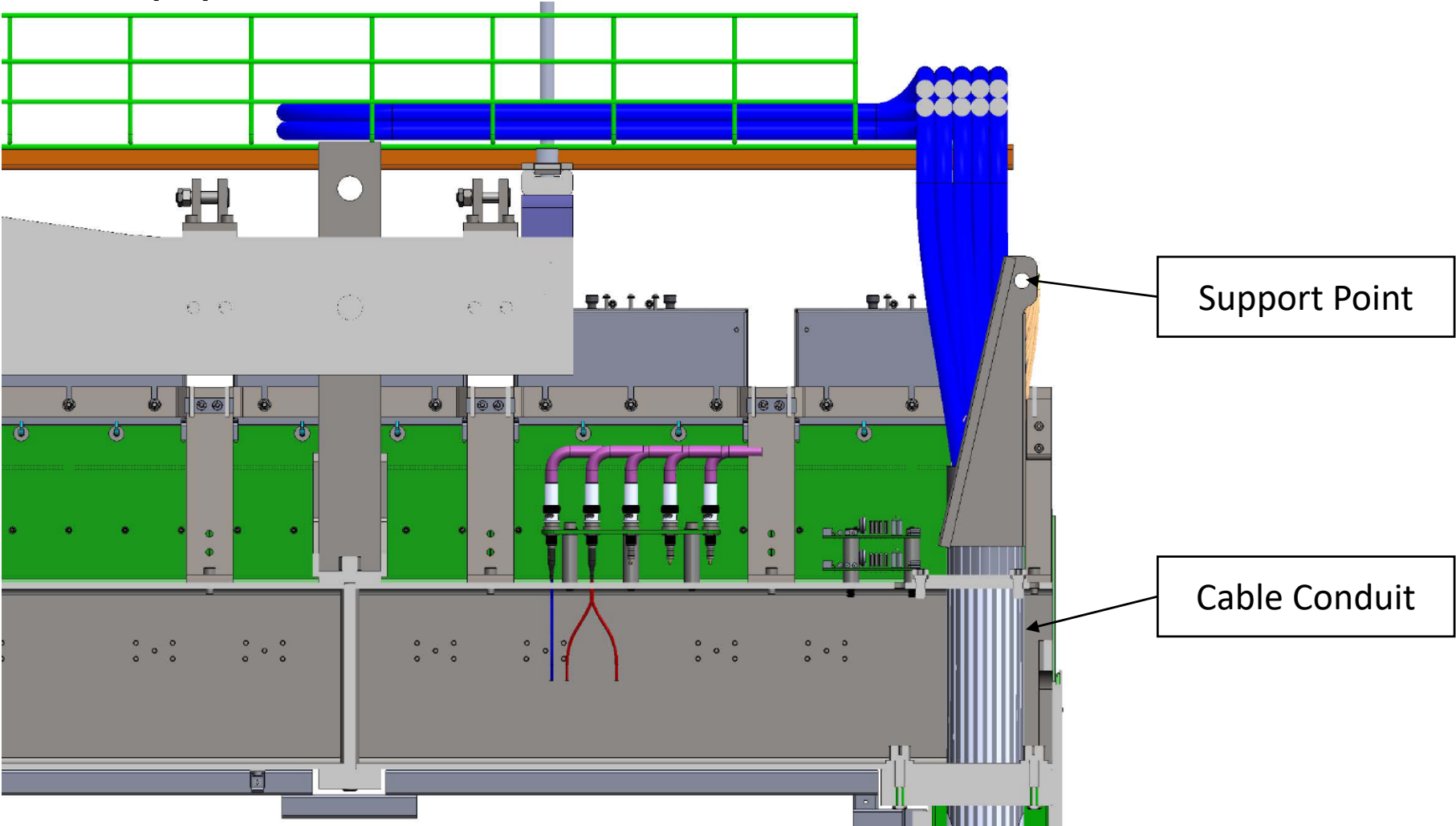


Possible Transition Geometry

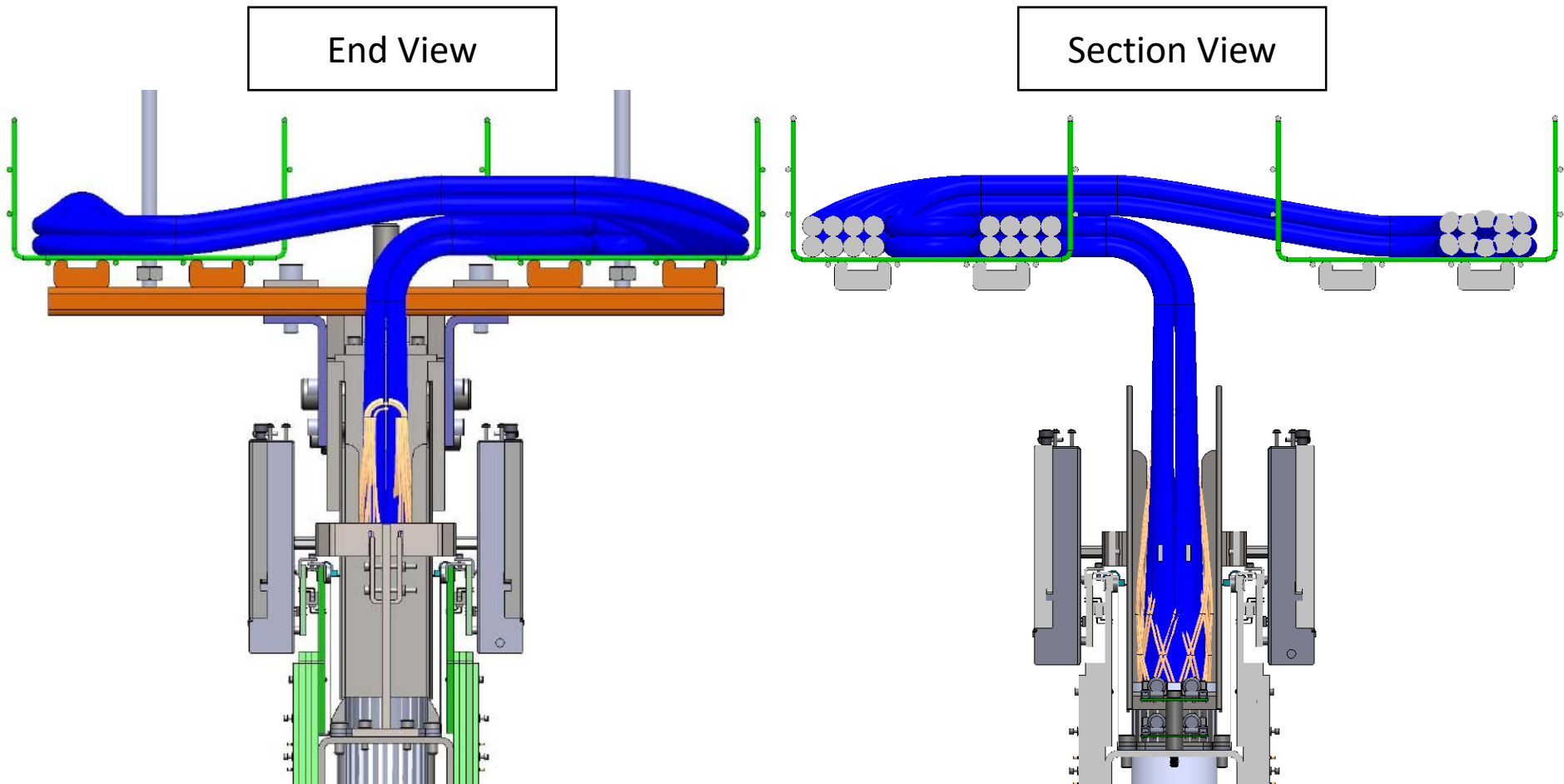
- Match the conduit ID
- The head end of each APA is limited on available space



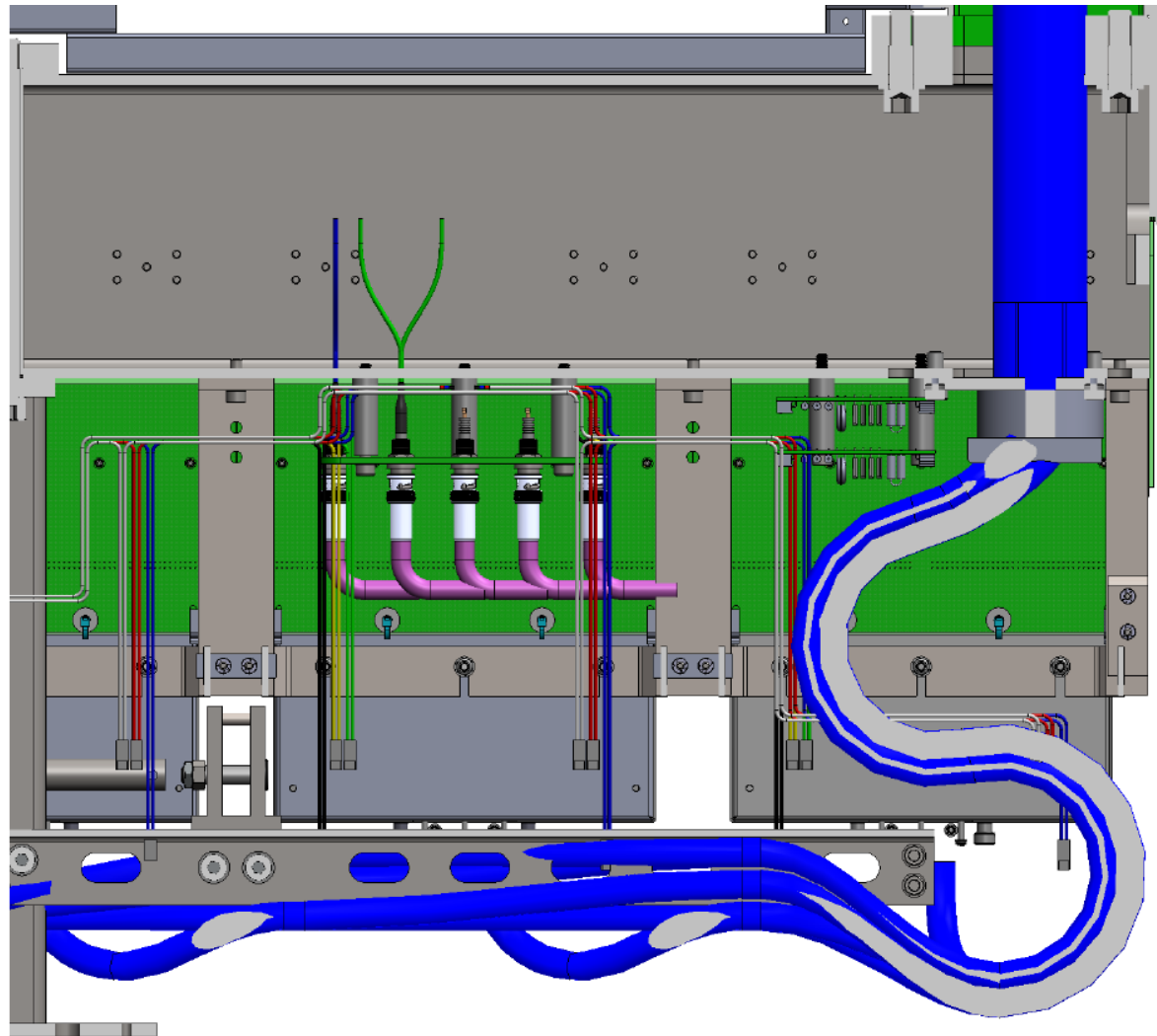
Upper APA



Upper APA, continued

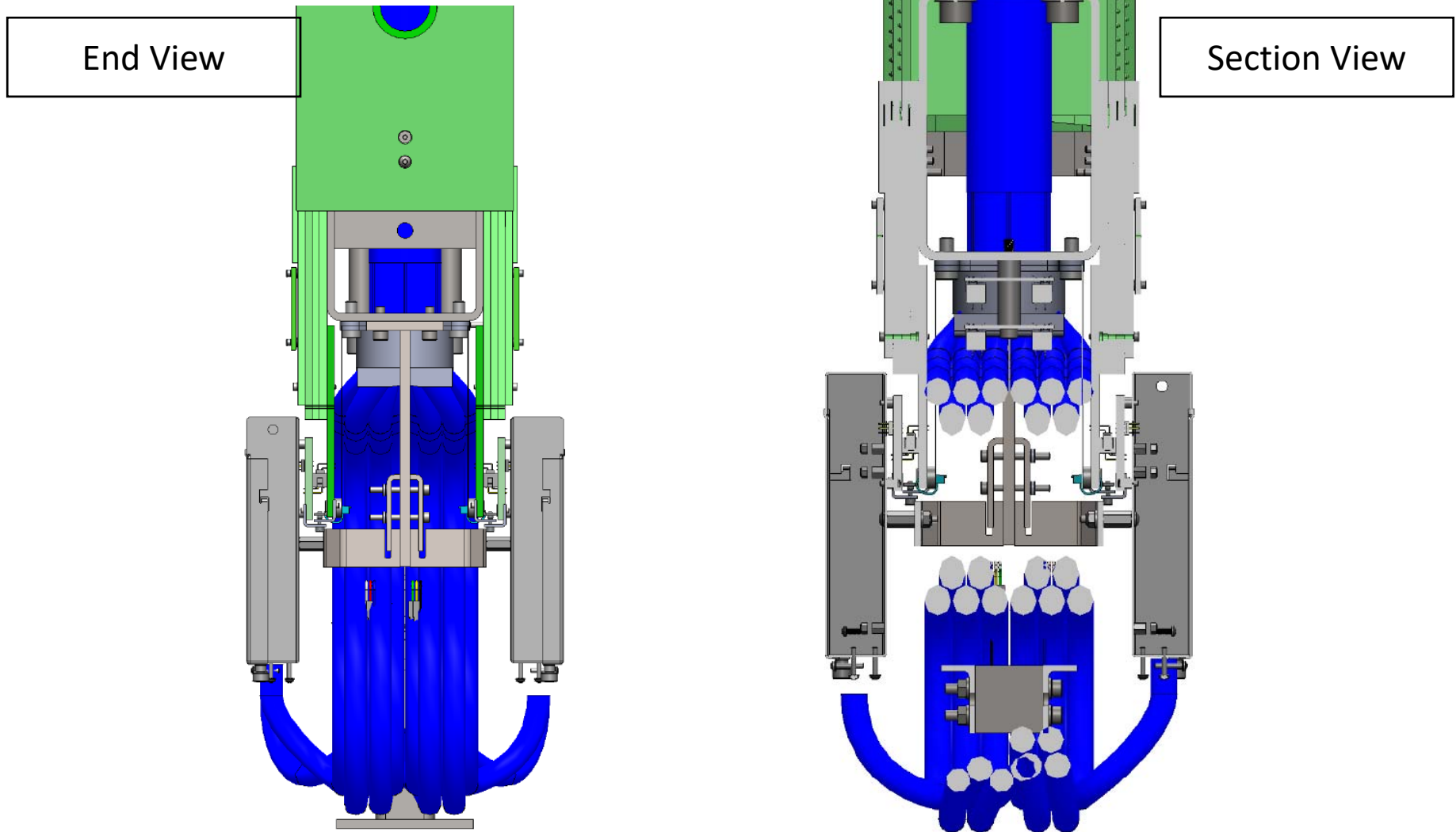


Lower APA



May 9th, 2019

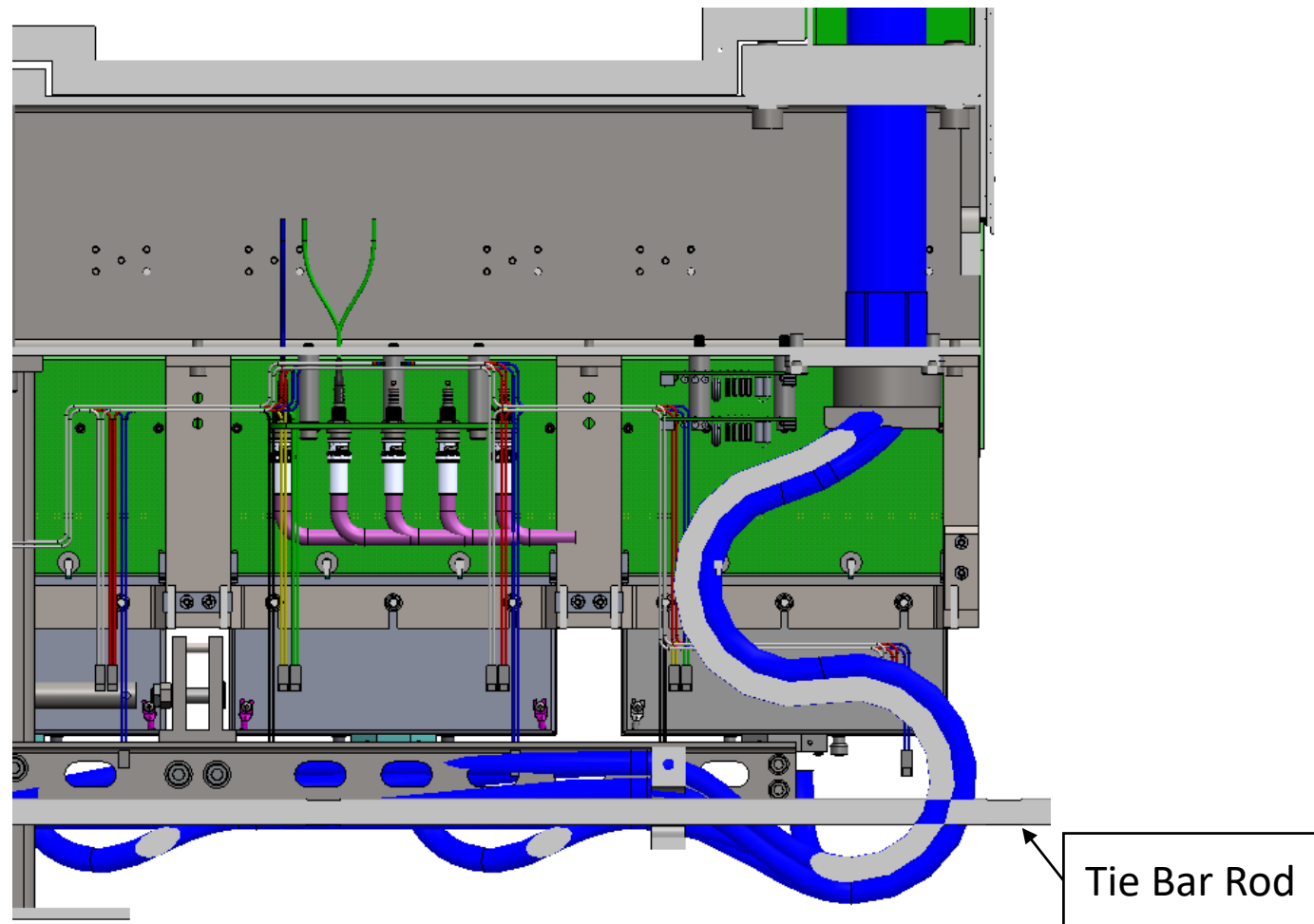
Lower APA, Continued



May 9th, 2019

10

Lower APA, Middle Plane (w/ Tie Bar Assembly)



May 9th, 2019

11

Lower APA, Middle Plane (w/ Tie Bar Assembly)

