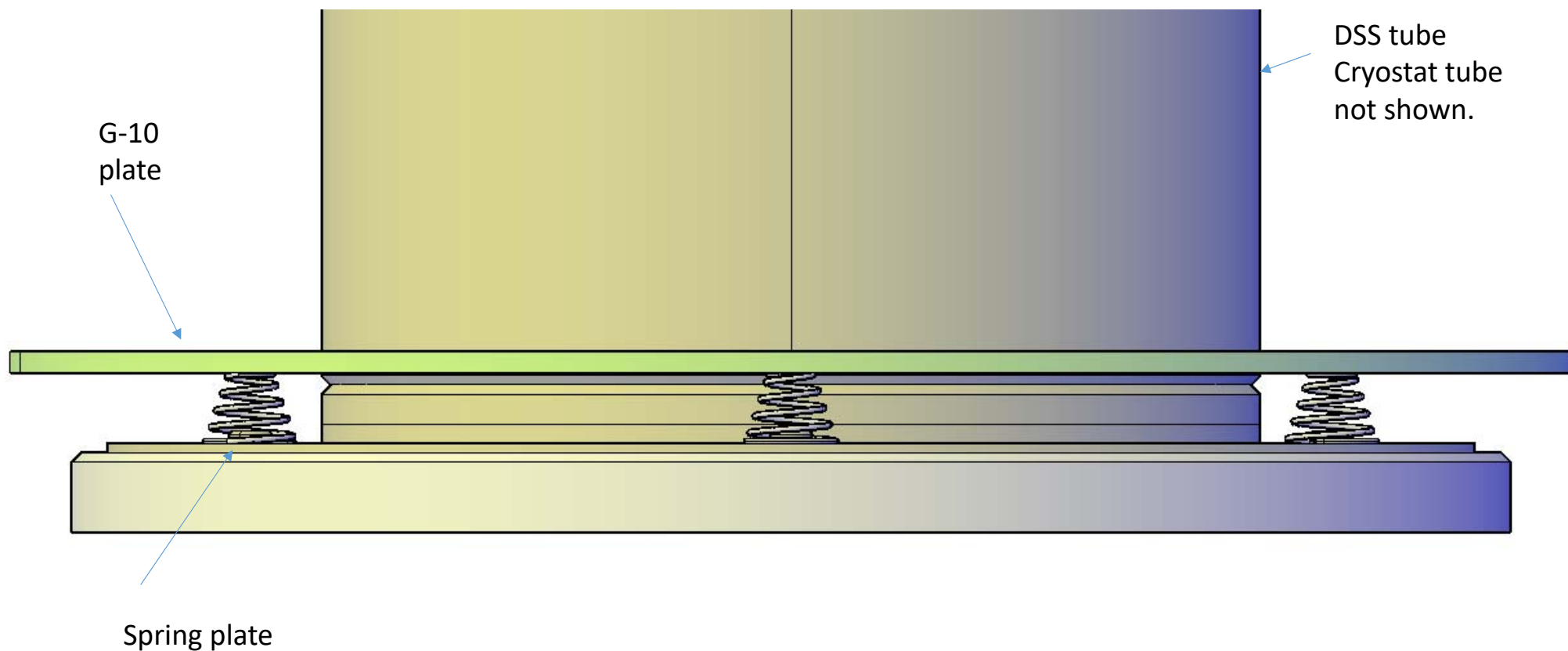
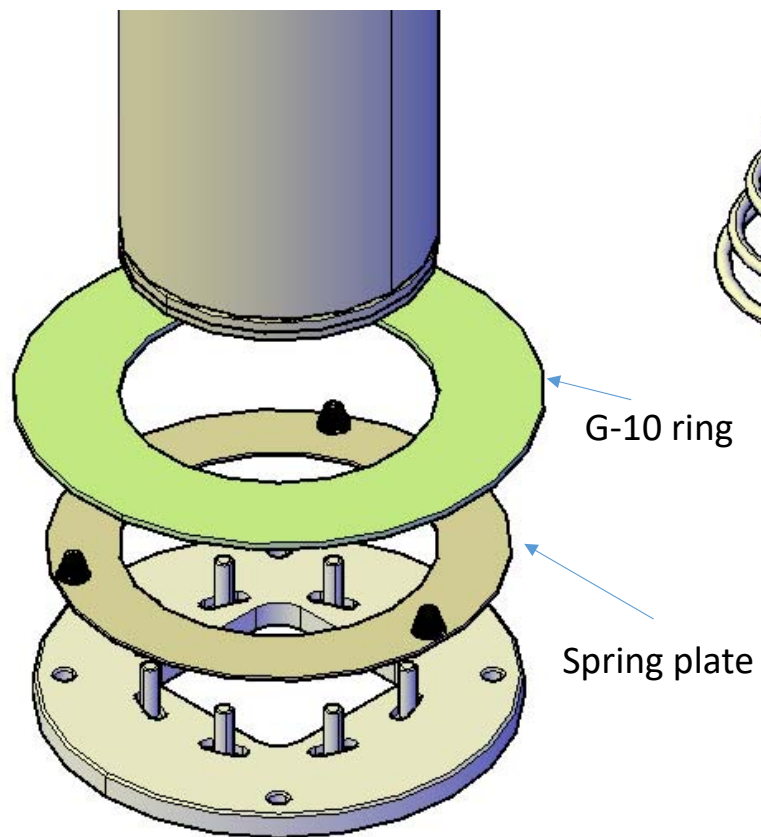


Side View of protoDUNE DSS Flow Restrictor

Spring plate lightly pressed G-10 ring against the bottom edge of the cryostat crossing tube. The Crossing tube is not shown.



Isoview of protoDUNE flow restrictor



Spring rivet assembly welded to spring plate

