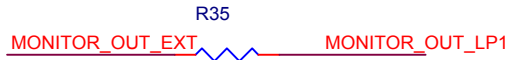
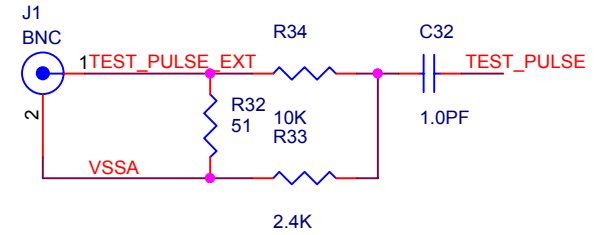


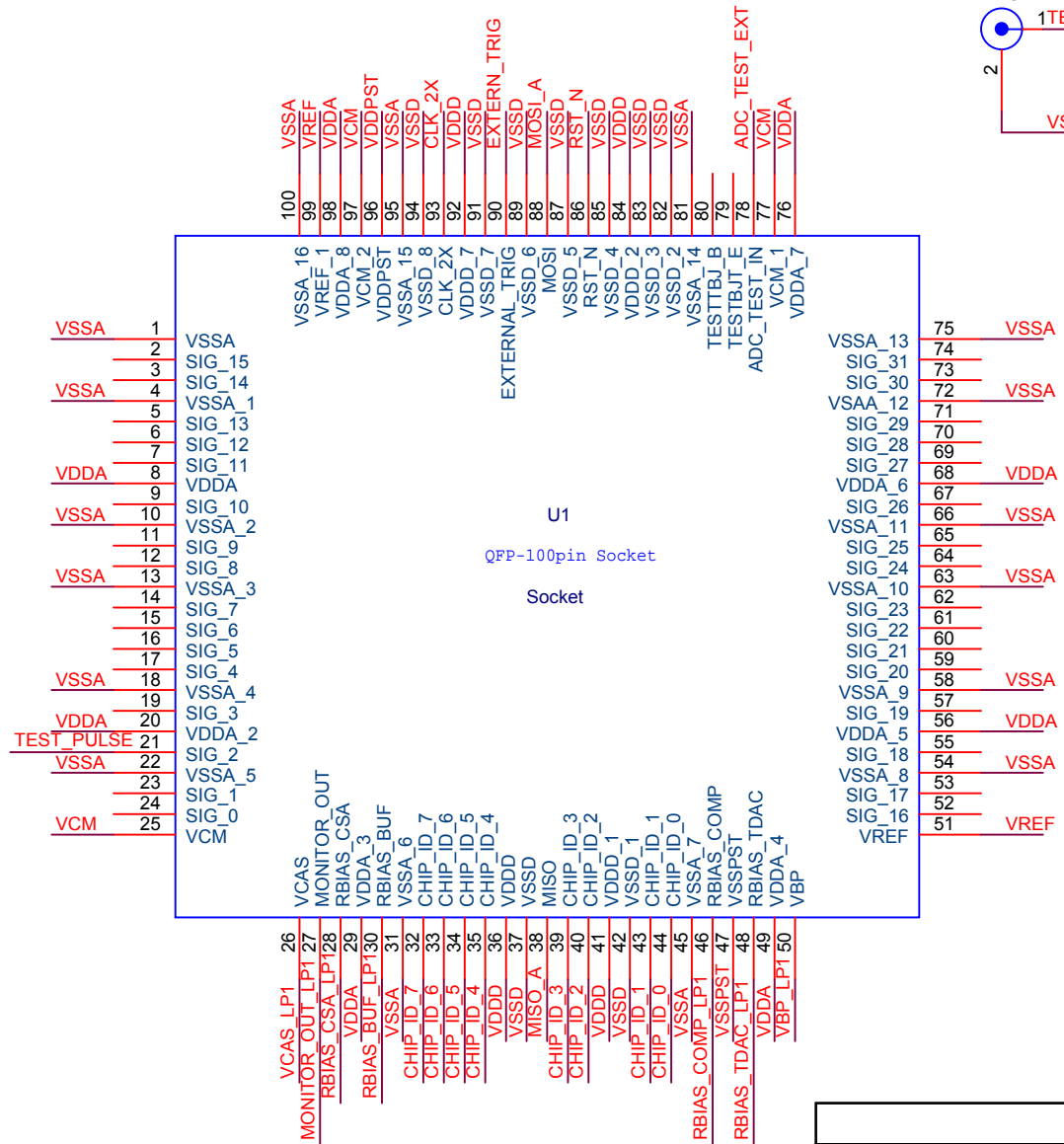
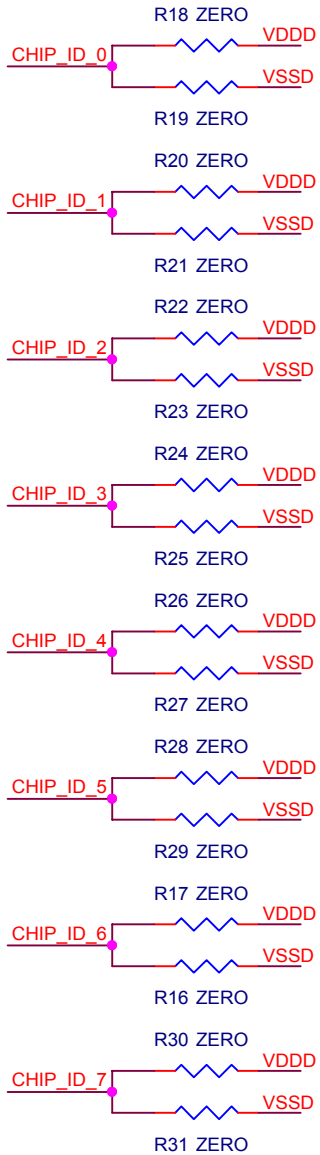
Optional connection to external monitor line



External test pulse circuit connected to one LArPix channel



Set unique 8-bit ID for LArPix chip (VSSD=0, VDDD=1)



|         |                         |              |
|---------|-------------------------|--------------|
| Title   |                         |              |
| <Title> |                         |              |
| Size    | Document Number         | Rev          |
| A       | <Doc>                   | <RevCod      |
| Date:   | Wednesday, May 15, 2019 | Sheet 1 of 1 |