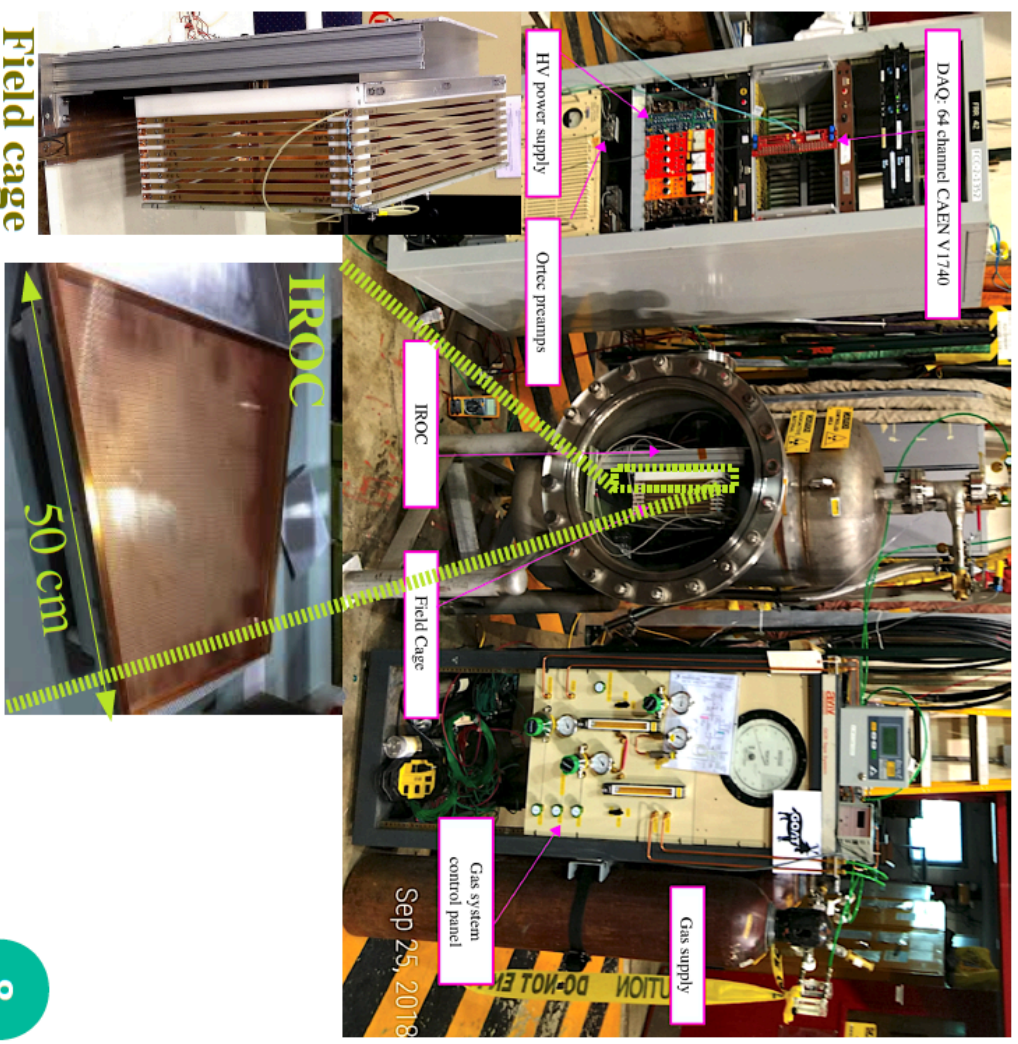
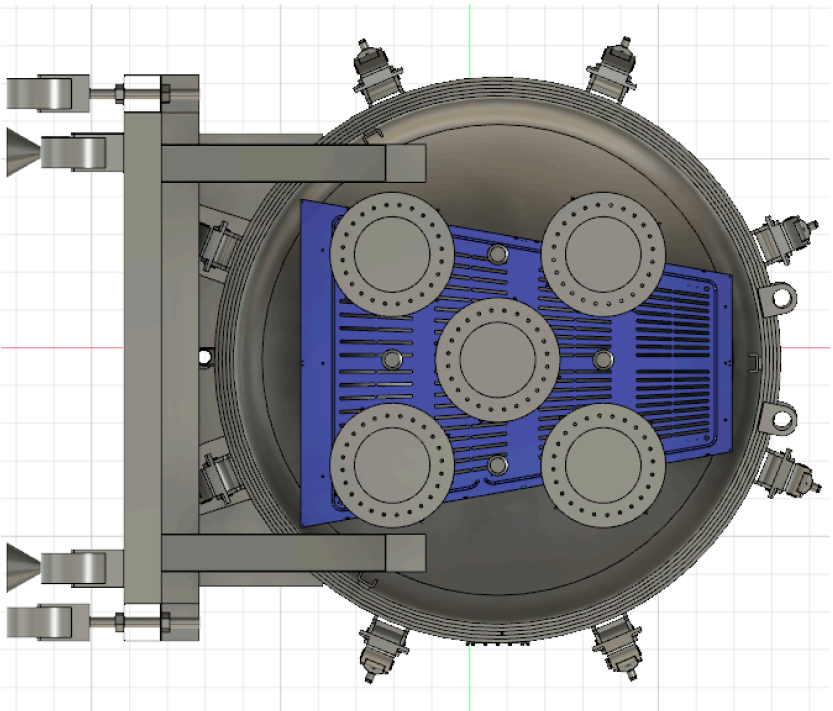


HPgTPC Test Stand @ FNAL

- Gaseous-Argon Operation of the ALICE TPC, GOAT
 - Test ALICE readout chambers at 10 atm and in various gas mixture (currently 90-10 Ar-CO₂)
 - Develop full front-end electronics chain
- Various components in GOAT:
 - Signal readout with ALICE IROC
 - Field cage
 - Front-end with preamps and CAEN digitizers
- Upgrades to components underway; stay tuned!



OROC Test Stand @ RHUL



- Groups at Royal Holloway & Imperial College London are getting involved with tests of ALICE readout chambers
- 5 bar pressure vessel will accommodate one OROC
 - Plan tests of gas mixtures & gas gain
 - Future possibility to use vessel for IROC/OROC acceptance tests

