

Near Detector Hall Geometry Update

**Perri Zilberman
Stony Brook University
8/30/19**

Structure in DUNENDGGD

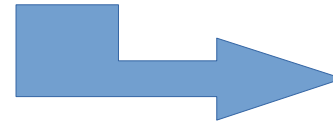
World



ND Hall Air Volumes

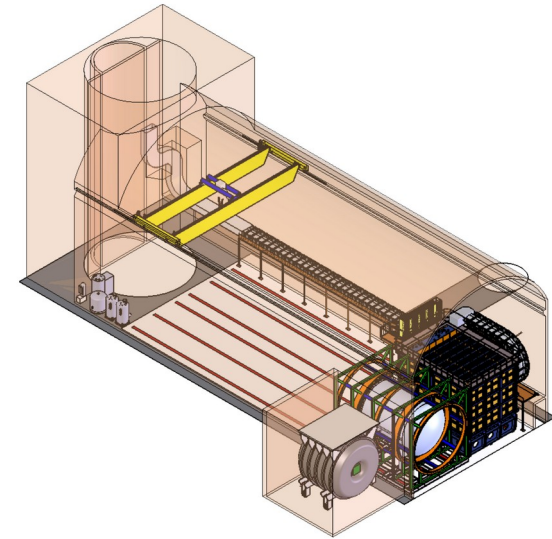


Detectors



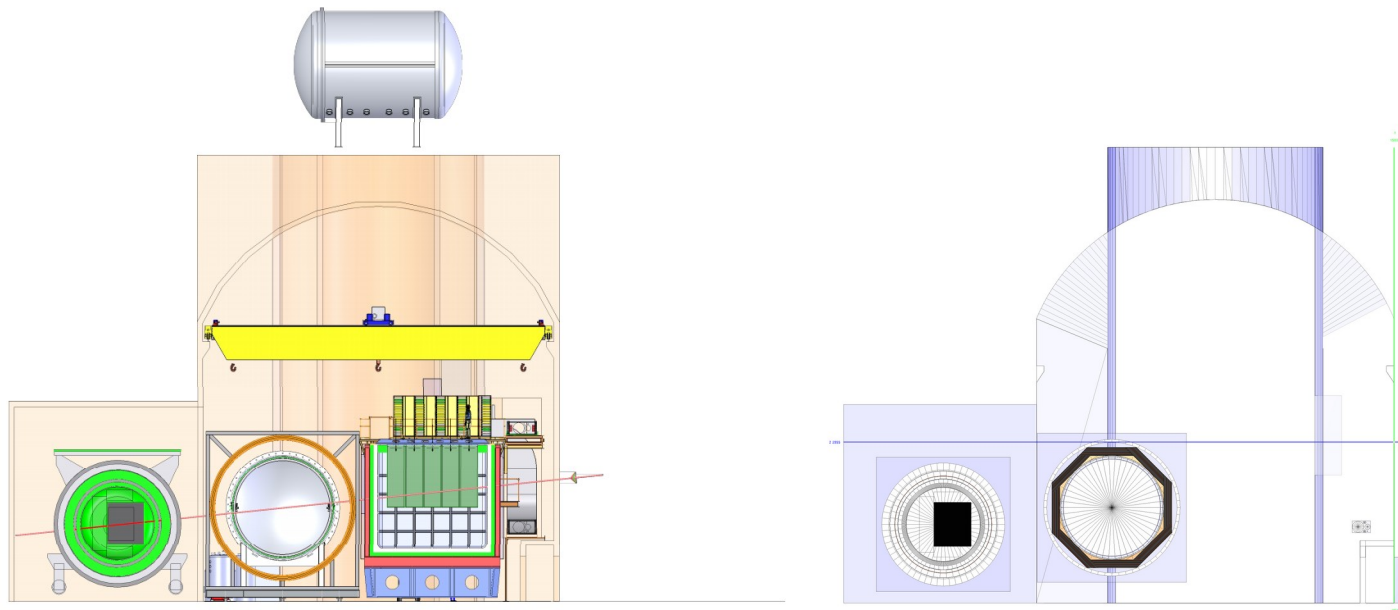
ND Hall Structures

- Arrows indicate DUNENDGGD sub-builders
- World is rock cube around ND hall air volumes
- ND Hall structures include but not limited to: hallways, elevator shaft, rail in front of detectors
- Simple to insert detectors into geometry



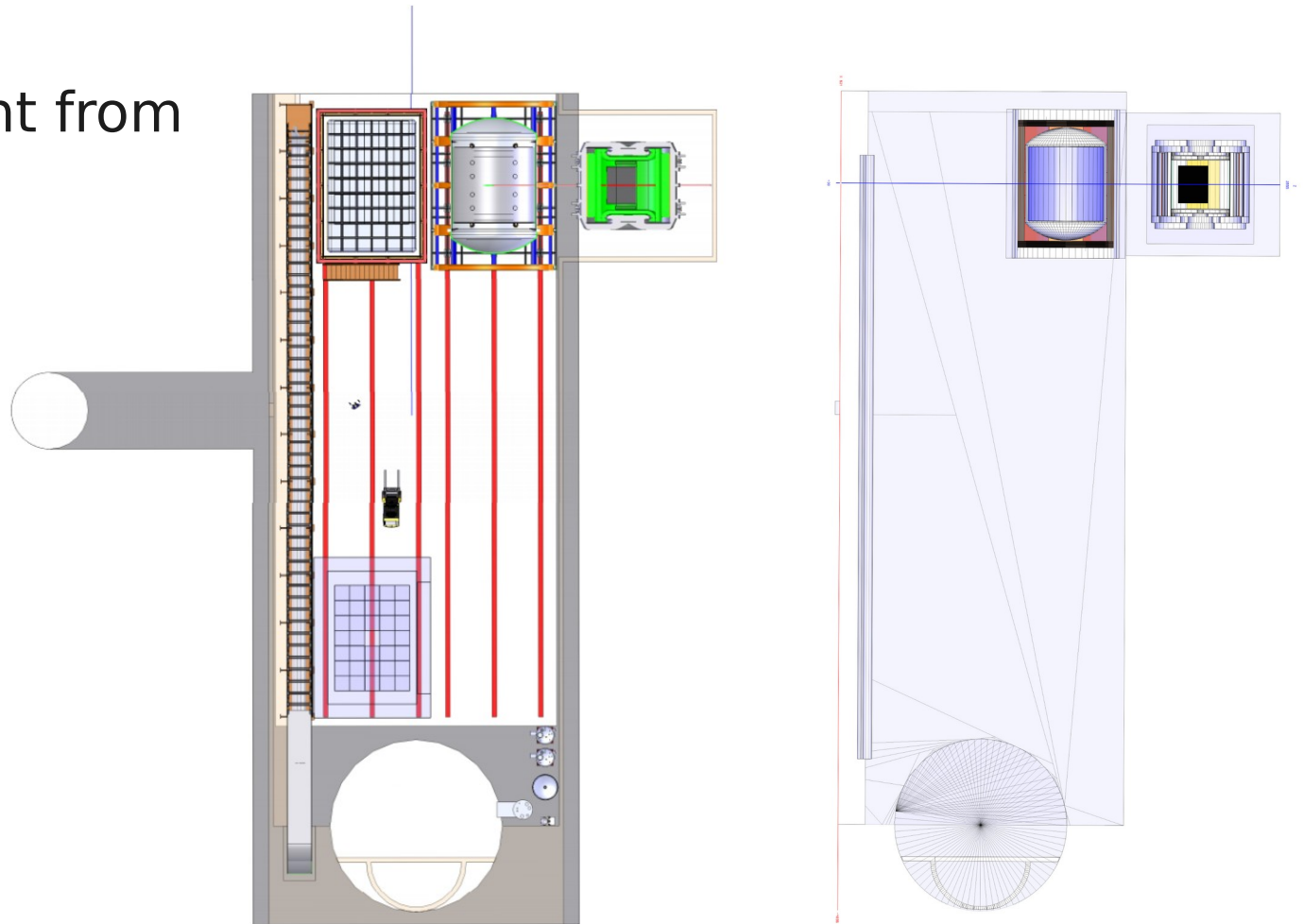
Current State - Front

- Left - ND Hall front from file provided by Robert Flight
- Right - Current DUNENDGGD ND Hall Geometry



Current State - Top

- Left - ND Hall front from file provided by Robert Flight
- Right - Current DUNENDGGD ND Hall Geometry



Current State

- Current geometry largely completed
- All ND Hall air volumes put in
- ND Hall structures put in
- KLOE and MPD placed in geometry
- Origin point and geometry orientation set appropriately

To Do

- Place LArTPC
- Place crane
- Adjust geometry or modify as needed
- Double check measurements
- Work on graphics bug