

DUNE Electrical Interfaces

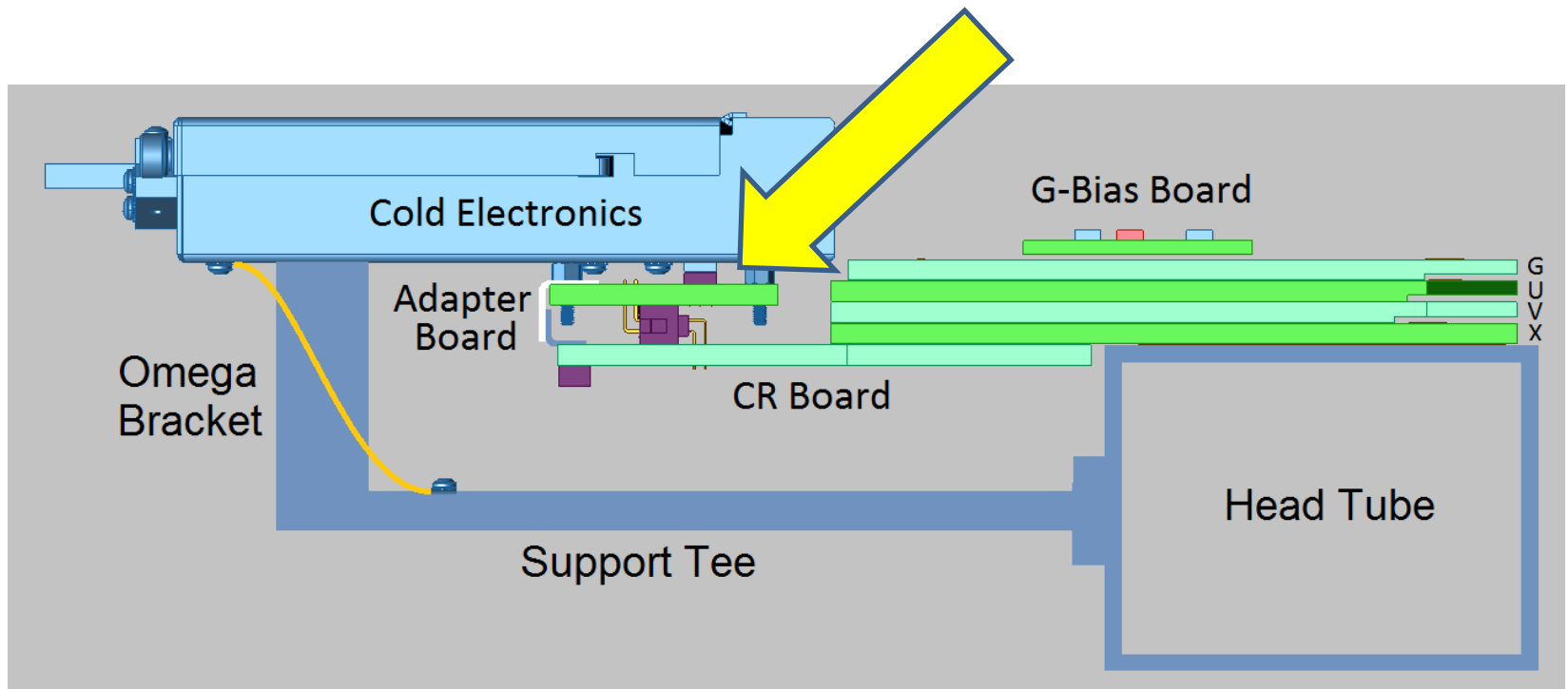
Andrew Laudrie

UW Physical Sciences Lab

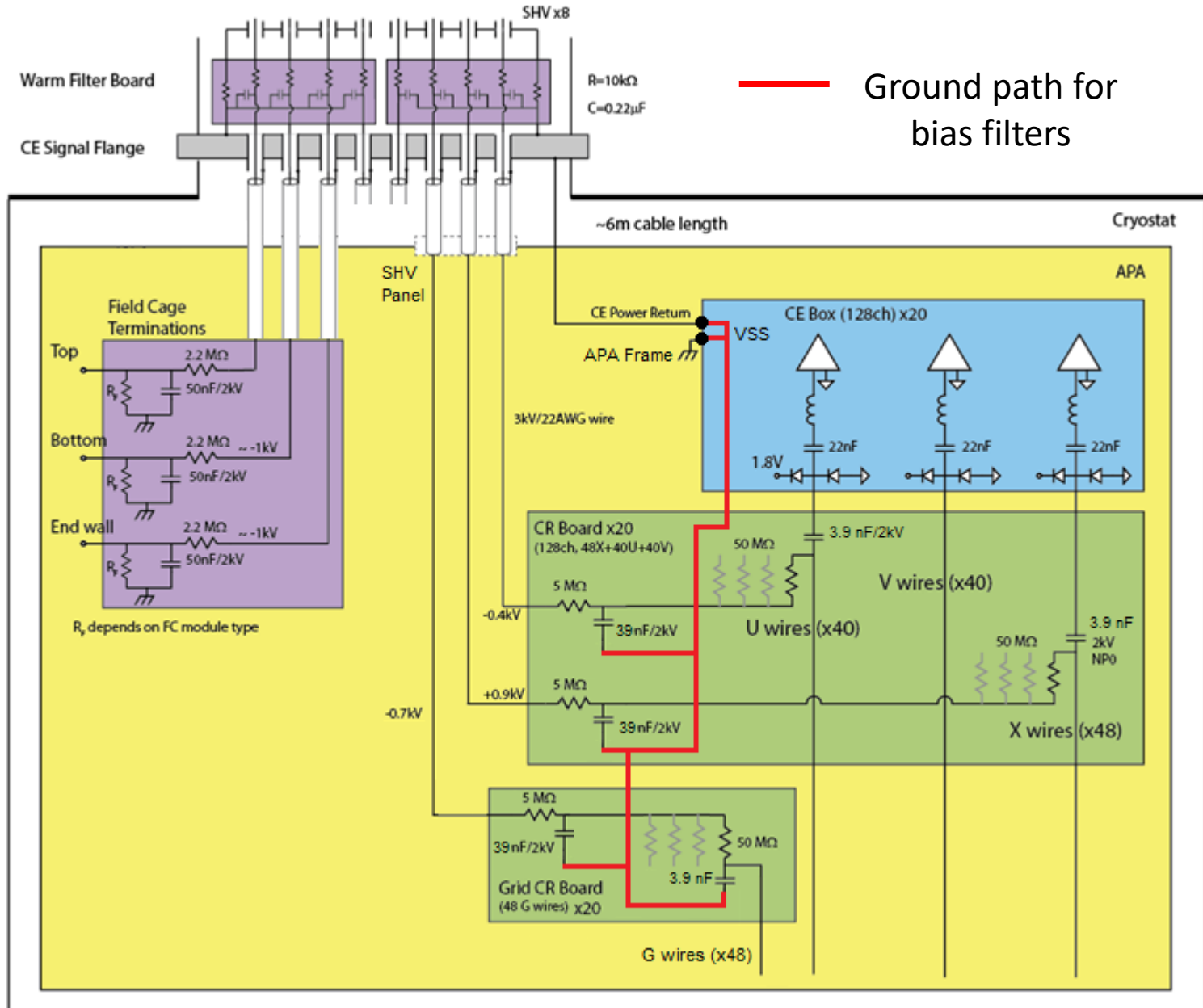
DUNE Electronics Review

2019 November 18

Adapter Board Connectors



Additional Electrical Interfaces



Additional Electrical Interfaces

- SHV Panel (new design, work in progress)
- Bias Wire Harness
- Head Board Connections to CR and B-Bias
- Head Board Connections to Probe Cards
- CE Grounding Wires (any changes?)
- Field Cage Wiring and Filter Grounds (WIP)