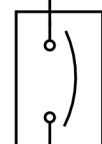


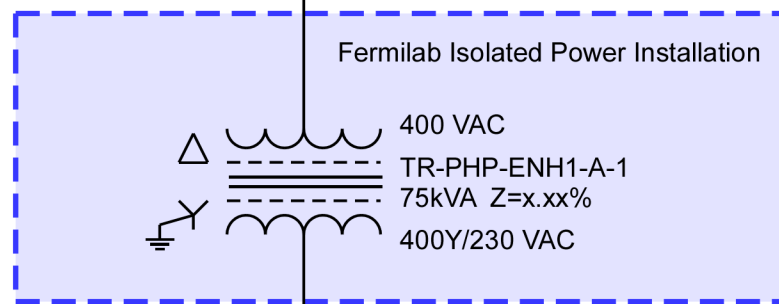
ENH1 Addition
Area 184, ProtoDUNE Pit B Shelf or Support Area

x-x/x" RMC - xx m.
 3 - 25 mm2
 1 - 25 mm2 - G

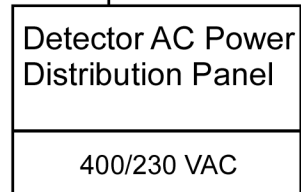



CB Disconnect
 (Type and Rating Determined by CERN)

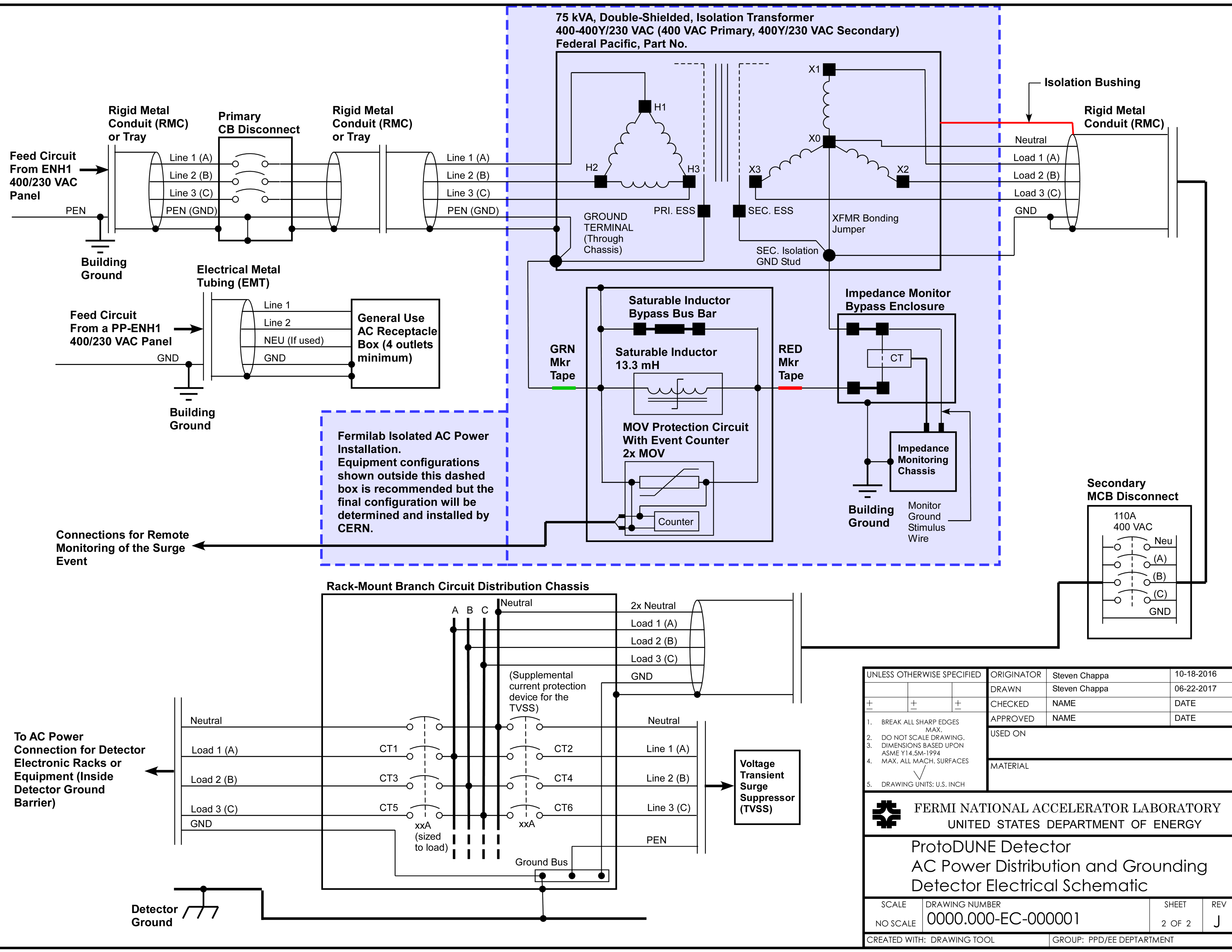
x-x/x" RMC - xx m.
 3 - 25 mm2
 1 - 25 mm2 - G



2-1/2" RMC - xx m.
 3 - 25 mm2
 2 - 25 mm2 - N
 1 - 25 mm2 - G



UNLESS OTHERWISE SPECIFIED			ORIGINATOR	Steven Chappa	10-18-2016
			DRAWN	Steven Chappa	06-22-2017
±	±	±	CHECKED	NAME	DATE
1. BREAK ALL SHARP EDGES MAX.			APPROVED	NAME	DATE
2. DO NOT SCALE DRAWING. DIMENSIONS BASED UPON ASME Y14.5M-1994			USED ON		
3. MAX. ALL MACH. SURFACES			MATERIAL		
4. DRAWING UNITS: U.S. INCH					
 FERMI NATIONAL ACCELERATOR LABORATORY UNITED STATES DEPARTMENT OF ENERGY					
ProtoDUNE Detector AC Power Distribution and Grounding Single-Line Electrical Drawing					
SCALE	DRAWING NUMBER			SHEET	REV
NO SCALE	0000.000-EC-000001			1 OF 2	J
CREATED WITH: DRAWING TOOL				GROUP: PPD/EE DEPARTMENT	



75 kVA, Double-Shielded, Isolation Transformer
 400-400Y/230 VAC (400 VAC Primary, 400Y/230 VAC Secondary)
 Federal Pacific, Part No.

Fermilab Isolated AC Power Installation.
 Equipment configurations shown outside this dashed box is recommended but the final configuration will be determined and installed by CERN.

UNLESS OTHERWISE SPECIFIED	ORIGINATOR	Steven Chappa	10-18-2016
	DRAWN	Steven Chappa	06-22-2017
	CHECKED	NAME	DATE
	APPROVED	NAME	DATE
USED ON			
MATERIAL			

- BREAK ALL SHARP EDGES MAX.
- DO NOT SCALE DRAWING. DIMENSIONS BASED UPON ASME Y14.5M-1994
- MAX. ALL MACH. SURFACES
- DRAWING UNITS: U.S. INCH

FERMI NATIONAL ACCELERATOR LABORATORY
 UNITED STATES DEPARTMENT OF ENERGY

ProtoDUNE Detector
 AC Power Distribution and Grounding
 Detector Electrical Schematic

SCALE	DRAWING NUMBER	SHEET	REV
NO SCALE	0000.000-EC-000001	2 OF 2	J
CREATED WITH: DRAWING TOOL		GROUP: PPD/EE DEPARTMENT	

Connections for Remote Monitoring of the Surge Event

To AC Power Connection for Detector Electronic Racks or Equipment (Inside Detector Ground Barrier)

Detector Ground