

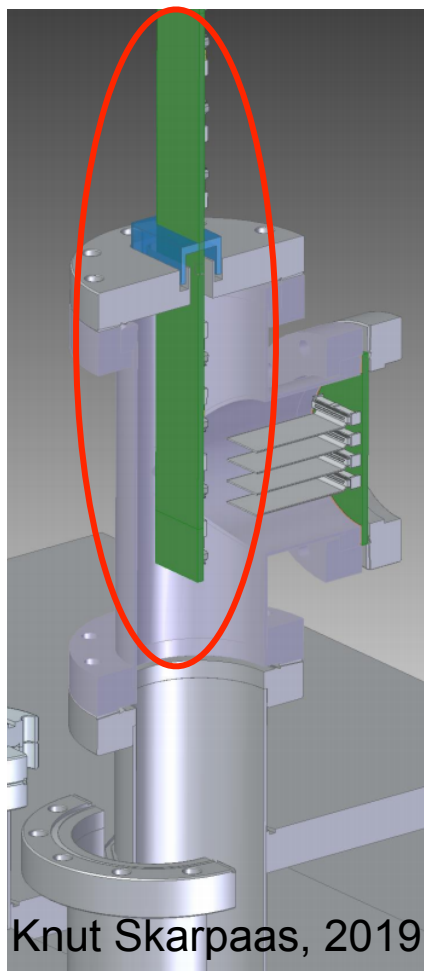
Light readout chain

Cold side:

- Potted feedthrough in CF-60 flange: 8 connectors serve 24 modules (12 ArCLight + 12 LCM).
- Micro-coax cables for SiPM biasing and signal readout.

Warm side:

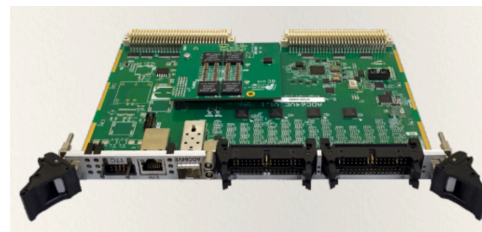
- CAEN A7040AN for SiPM biasing in SYx527 crate: 48 programmable HV channels, floating HV return.
- Driver amplifiers box for differential signal transmission on screened ribbon twisted pair cable.
- JINR-ADC in VME crate: 64 differential analog pairs inputs, ethernet interface to acquisition PC.



CAEN A7040



JINR-ADC



Light readout chain

