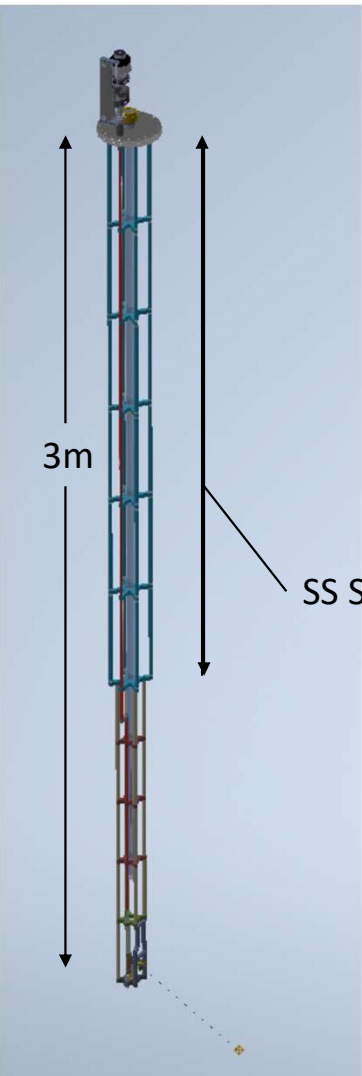


Ionization Laser Update

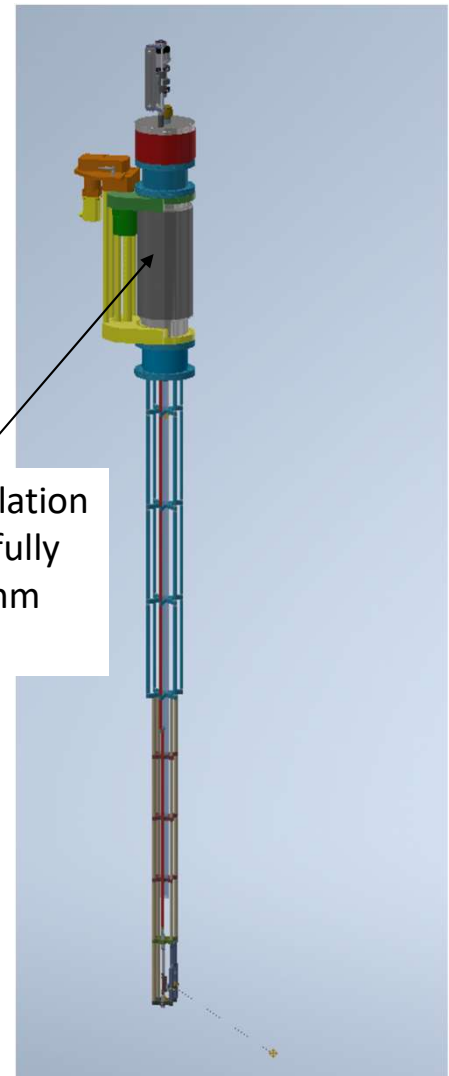
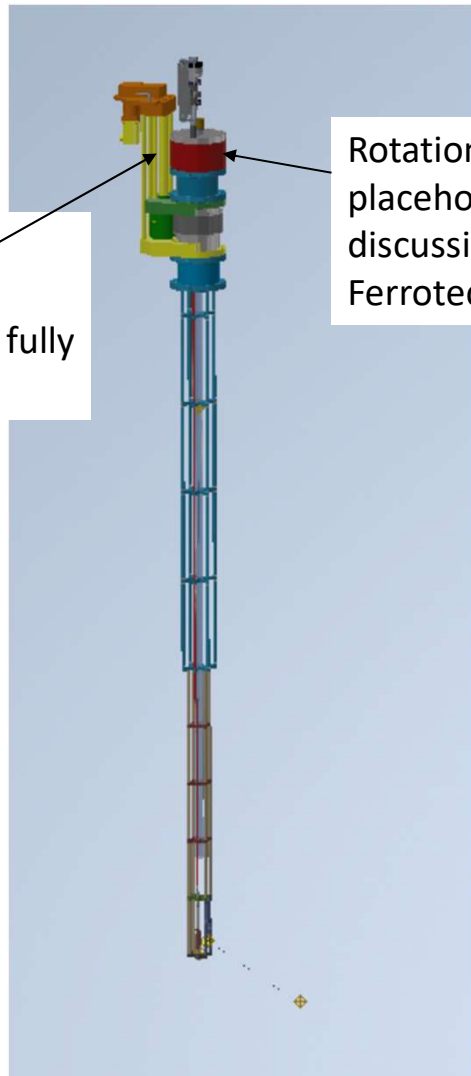
Laser WG meeting 12/12/2019

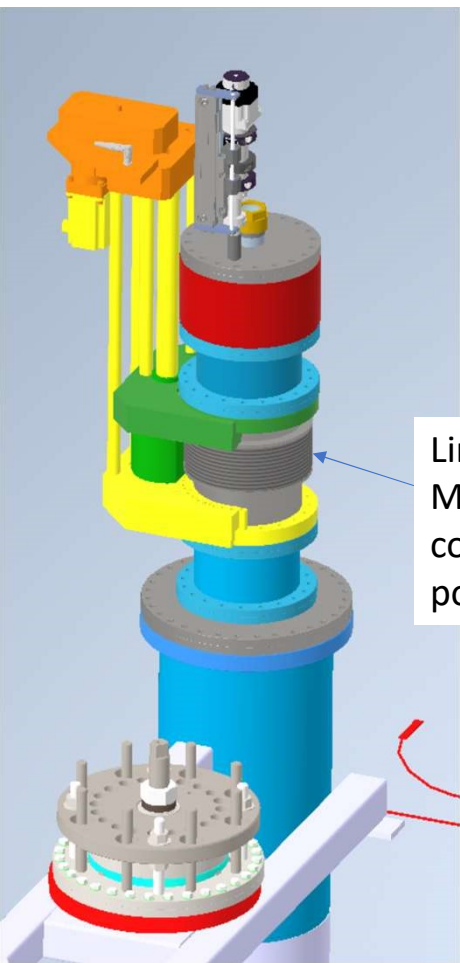
Jan Boissevain - LANL

Laser Periscope

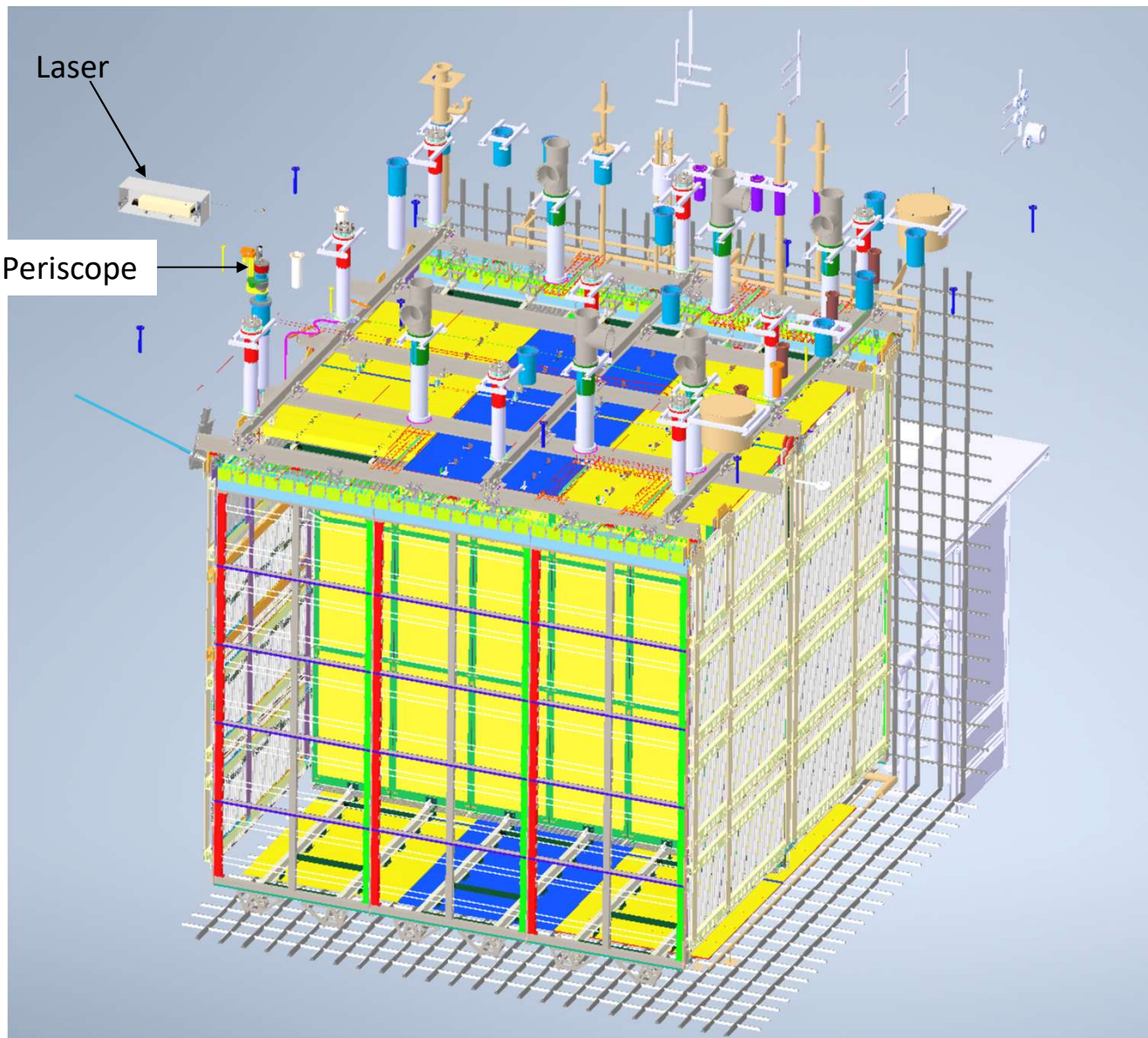


Laser Periscope w translation and rotation



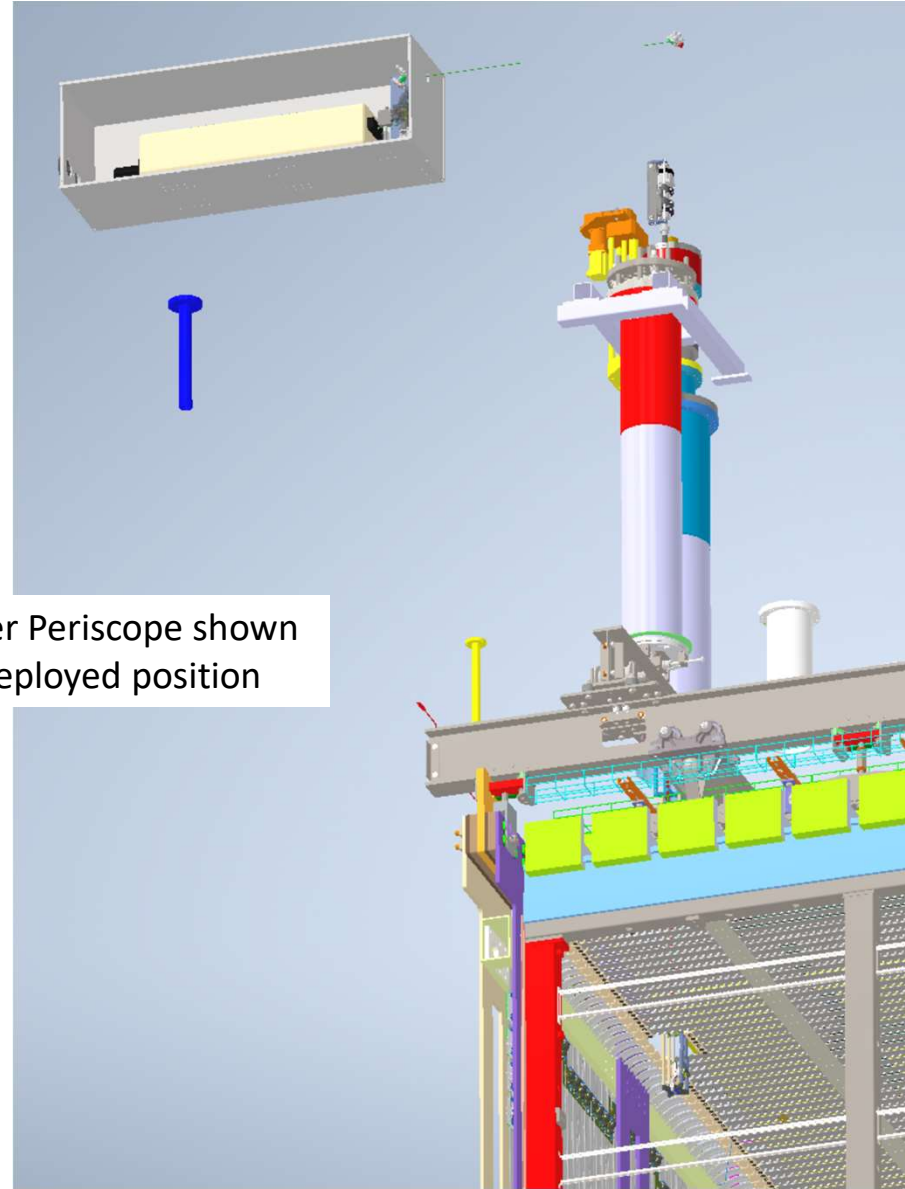
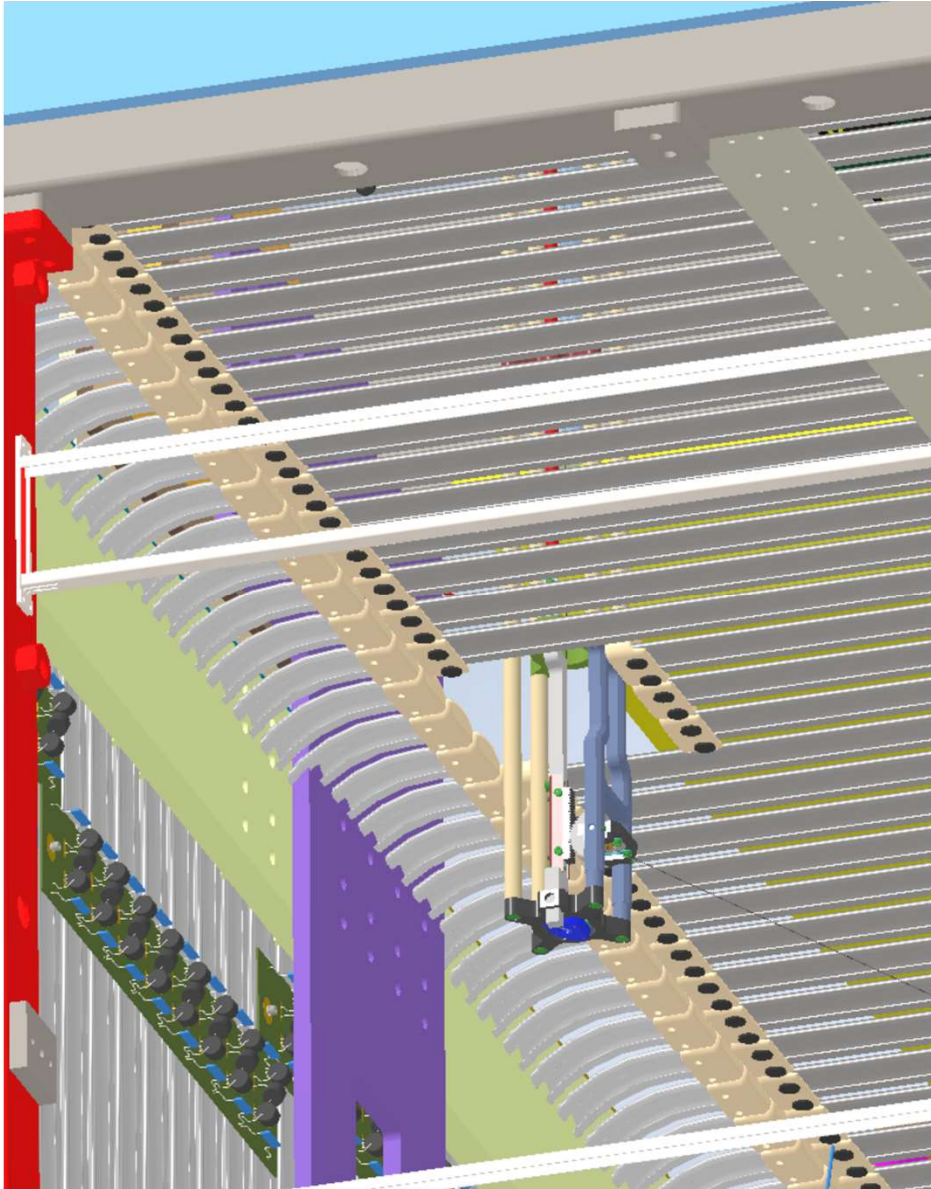


Linear Translation Module shown in compressed position

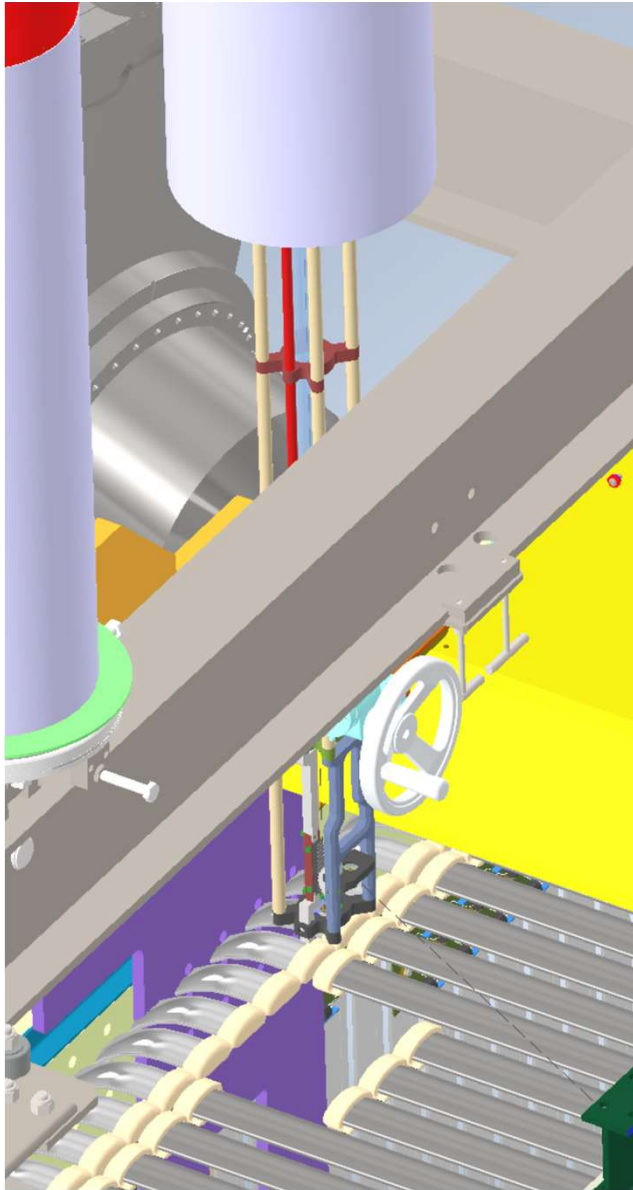


Laser

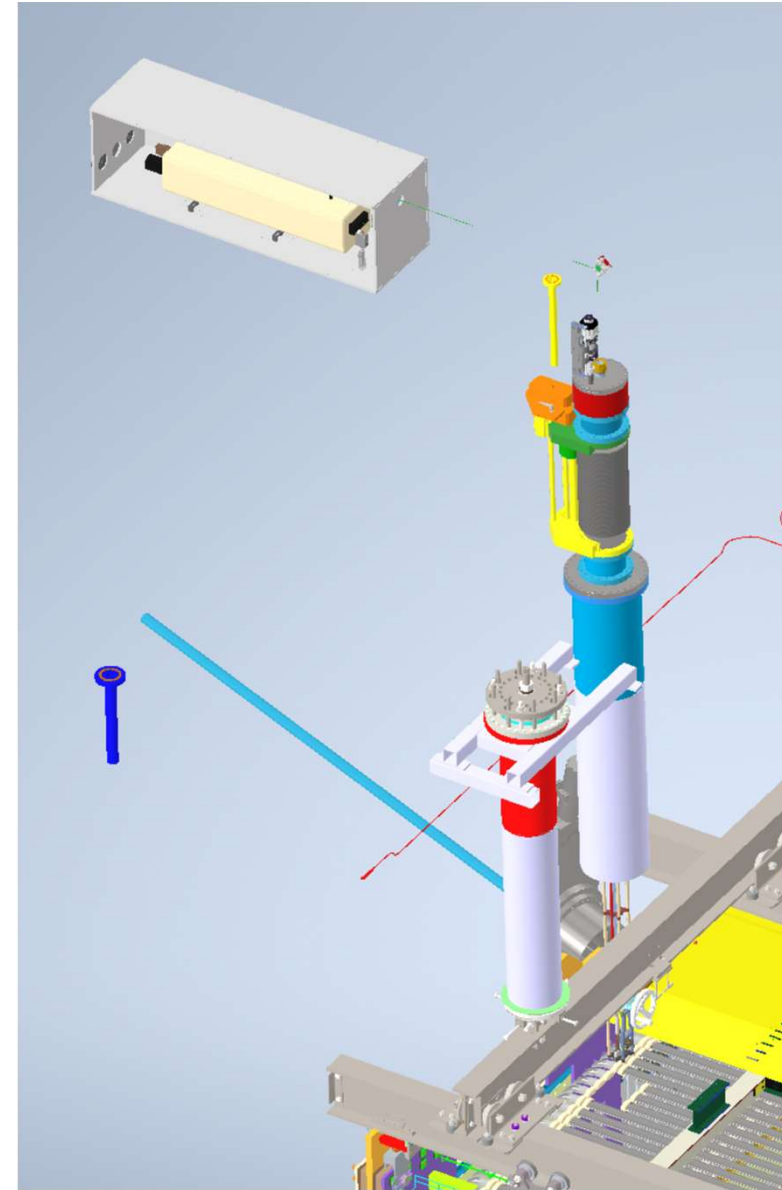
Laser Periscope



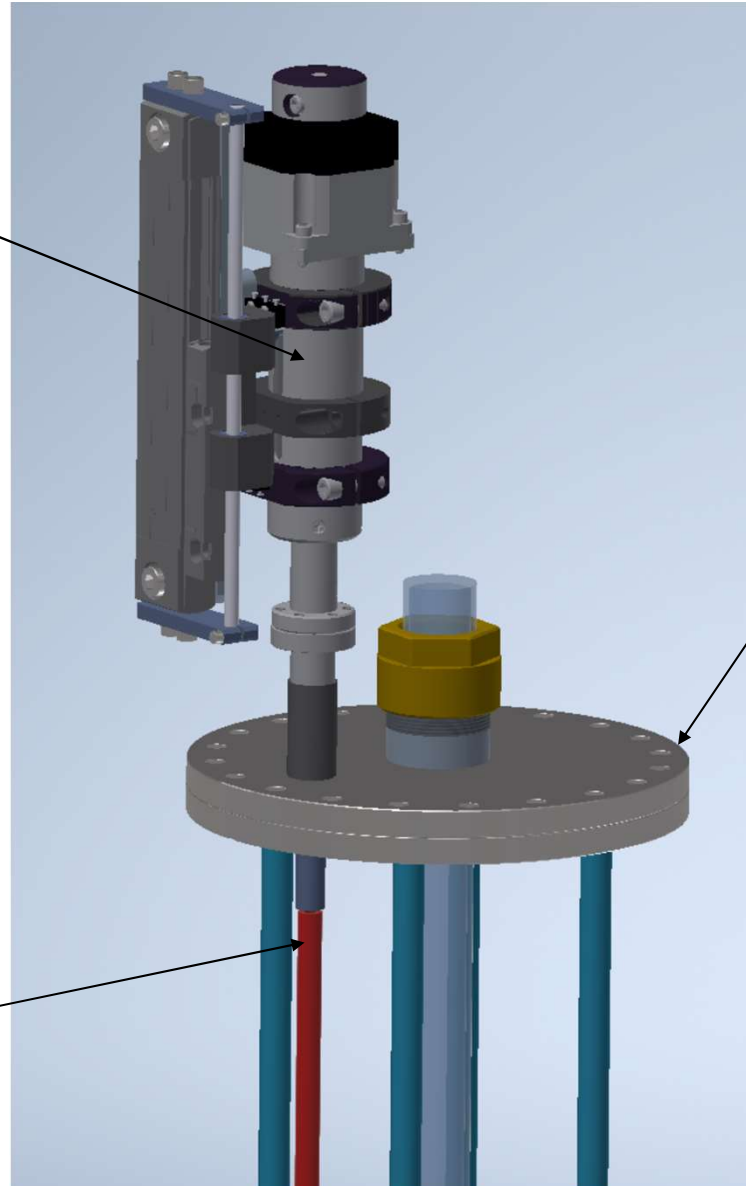
Laser Periscope shown
in deployed position



Laser Periscope in retracted position



Linear Actuator for mirror



8" OD Conflat Flange

Mirror Actuator Tube



60mm

Horizontal laser vector