

Laser system ongoing work at LIP

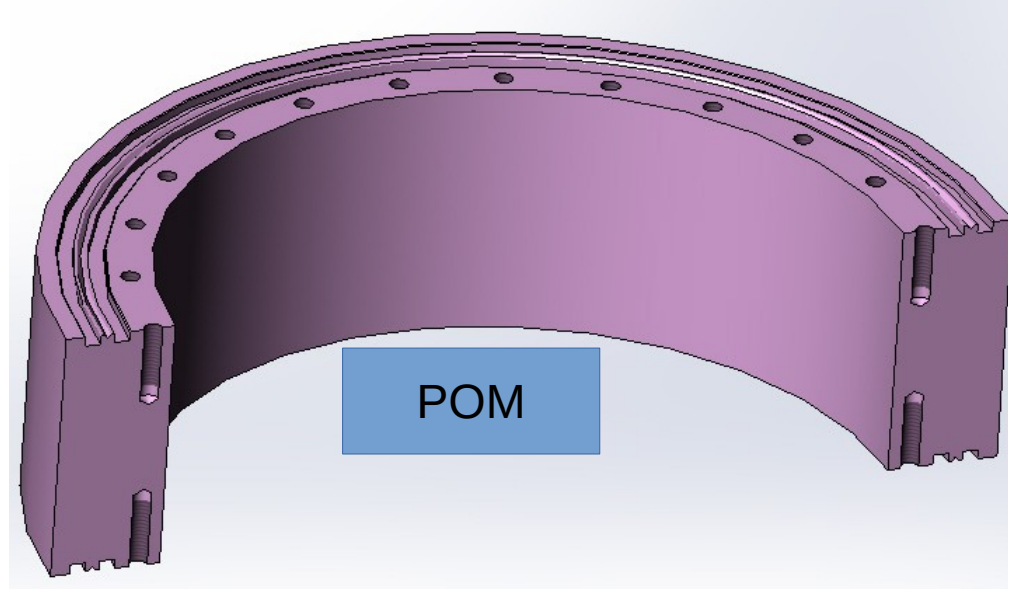
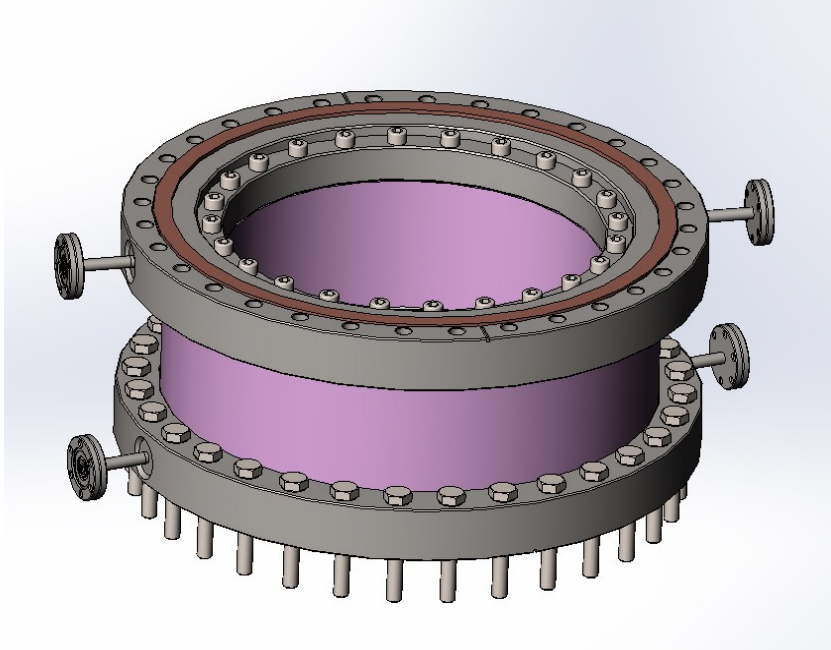
Rui Alves, José Maneira

DUNE Laser calibration working group meeting

February 27, 2020

Electric Insulation

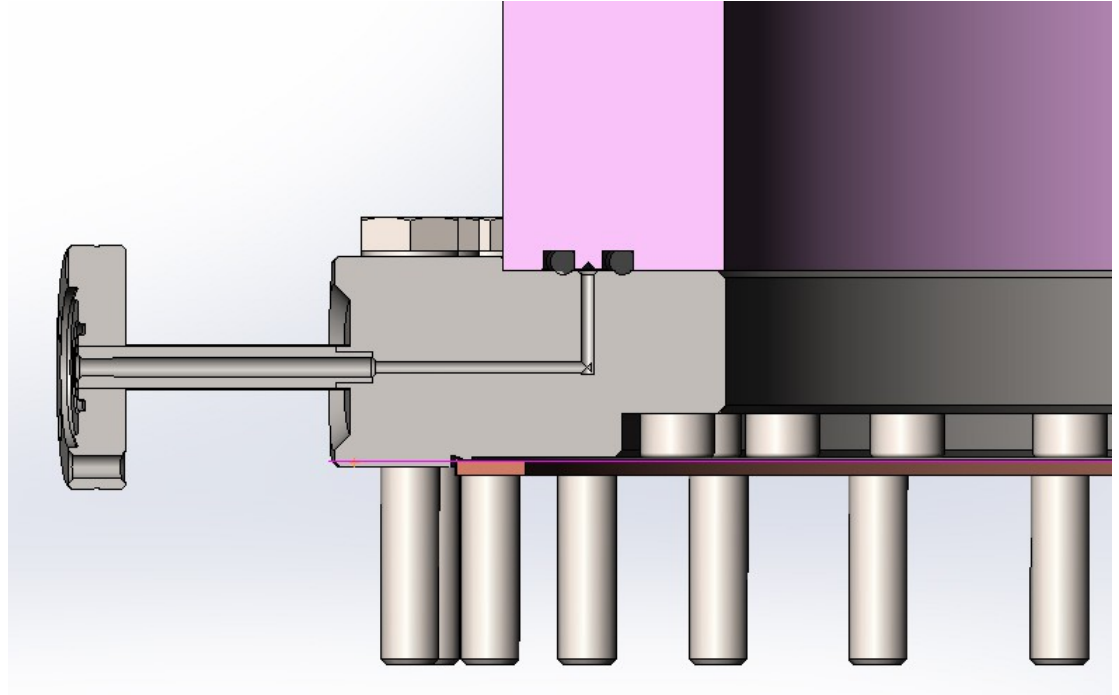
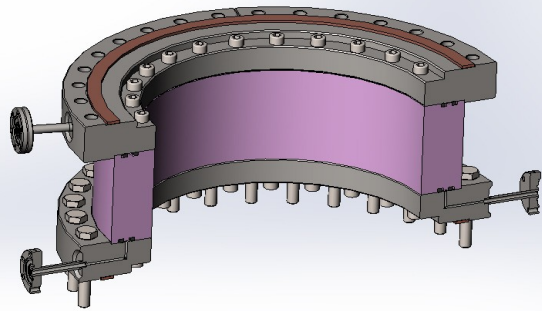
The threaded holes could use a helicoil (type of threaded insert), for strength

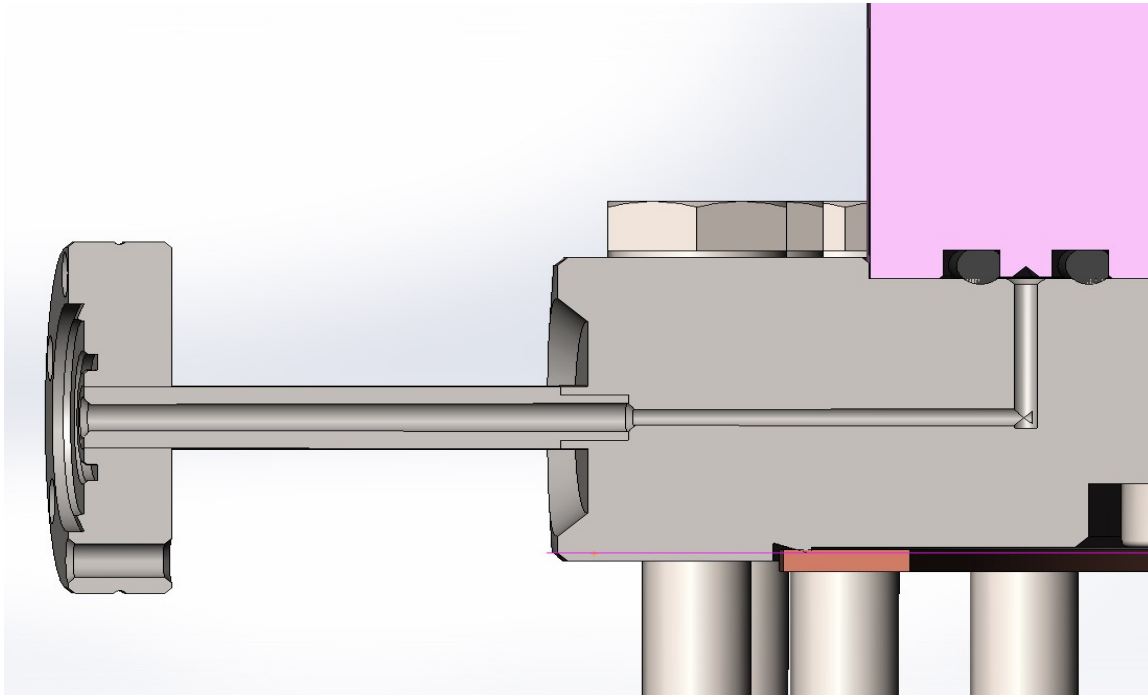


<https://www.polyanema.pt/pt/plasticos-de-engenharia/ertacetalregacetronreg/ertacetalreg-c/>

<https://www.directindustry.com/pt/prod/bollhoff/product-8695-1788096.html>

Two O'rings With Gas Evacuation





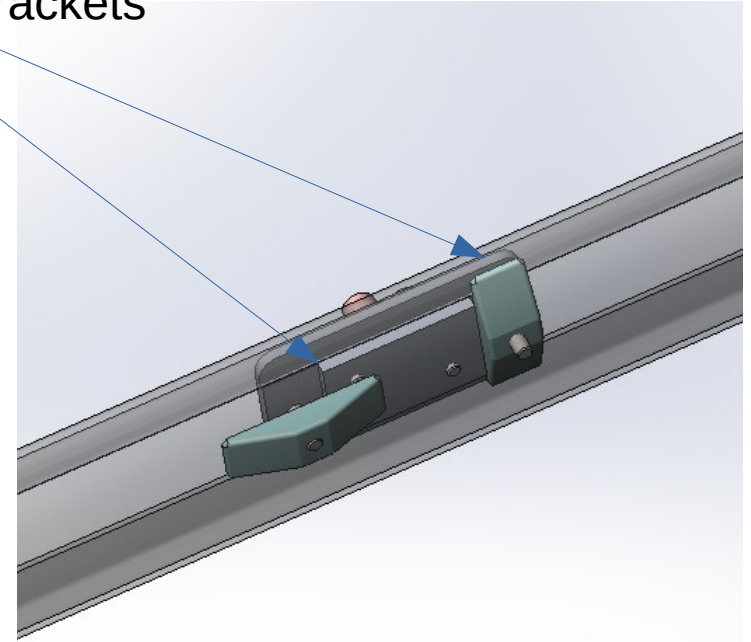
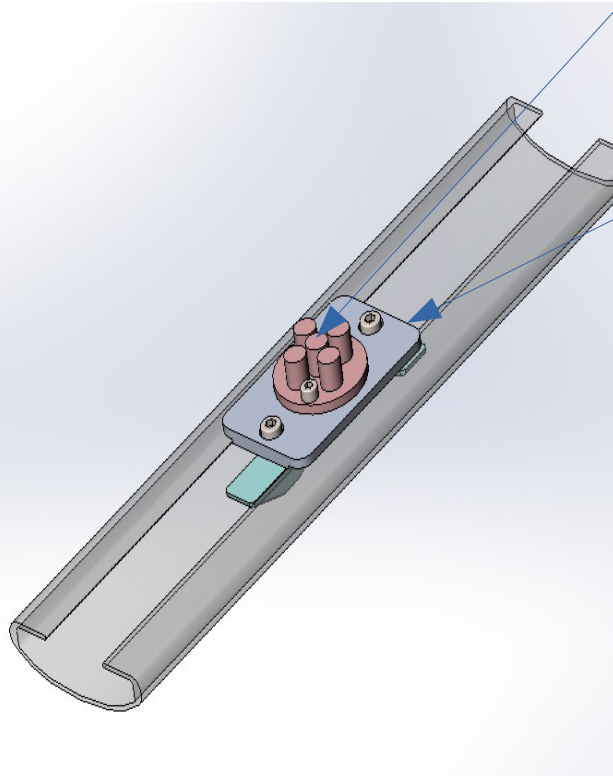
Mirror Holder

3 parts:

mirrors

fixation brackets

main plate with stopper for brackets



Real mirror piece will have
different reflection angles

In place

