

Ionization Laser Update

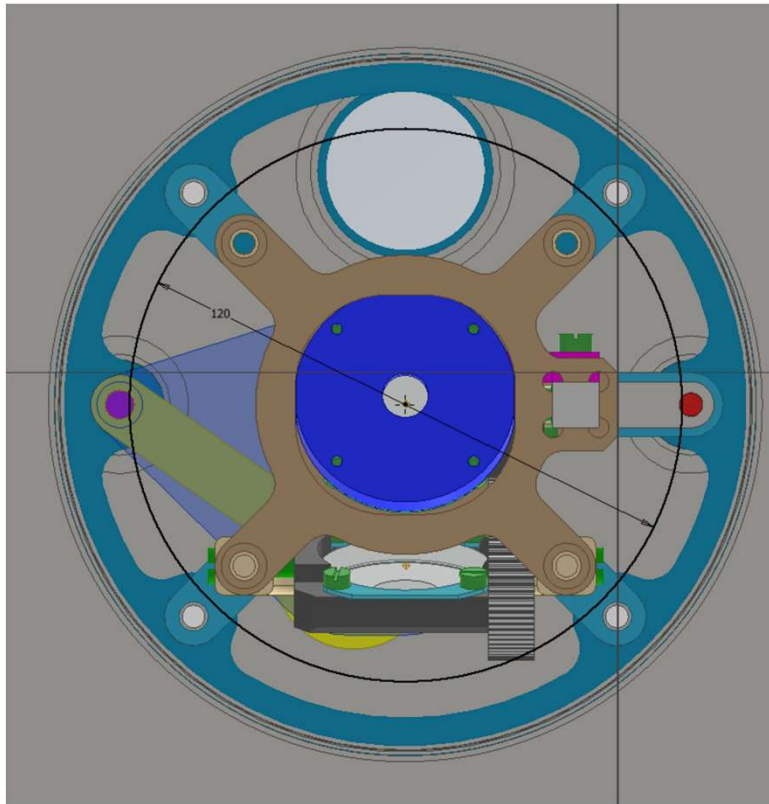
Jan Boissevain

Laser WG Meeting

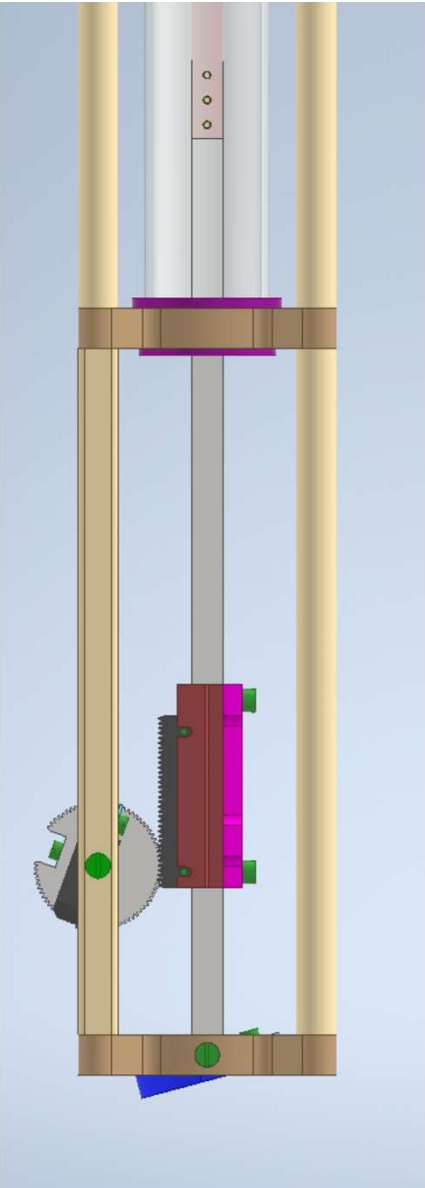
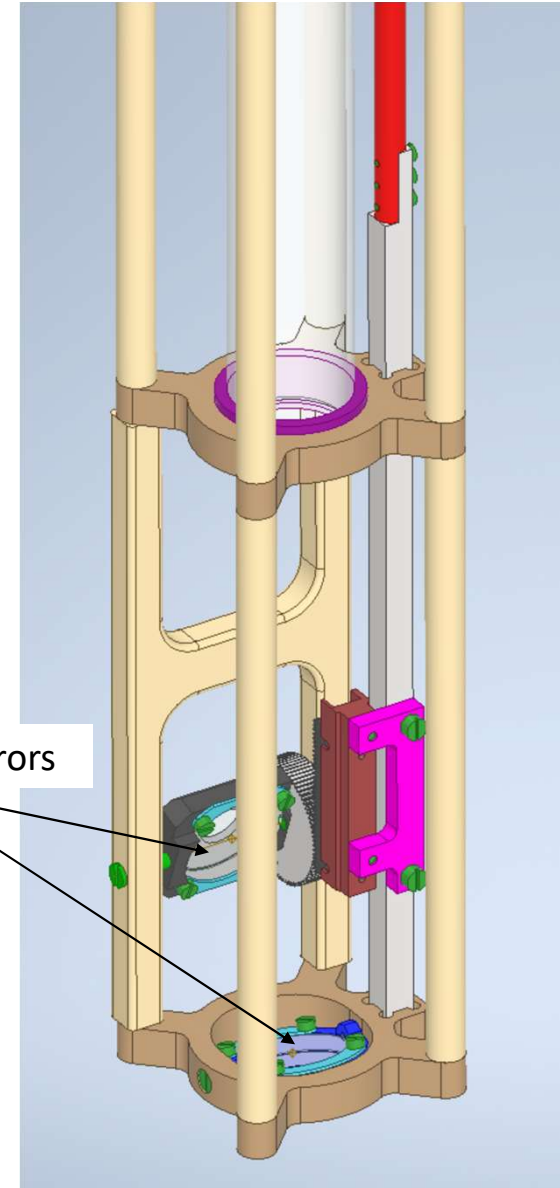
March 26, 2020

Design Study to check viability of increasing the mirror size from 25.4mm diameter to 38.1mm diameter

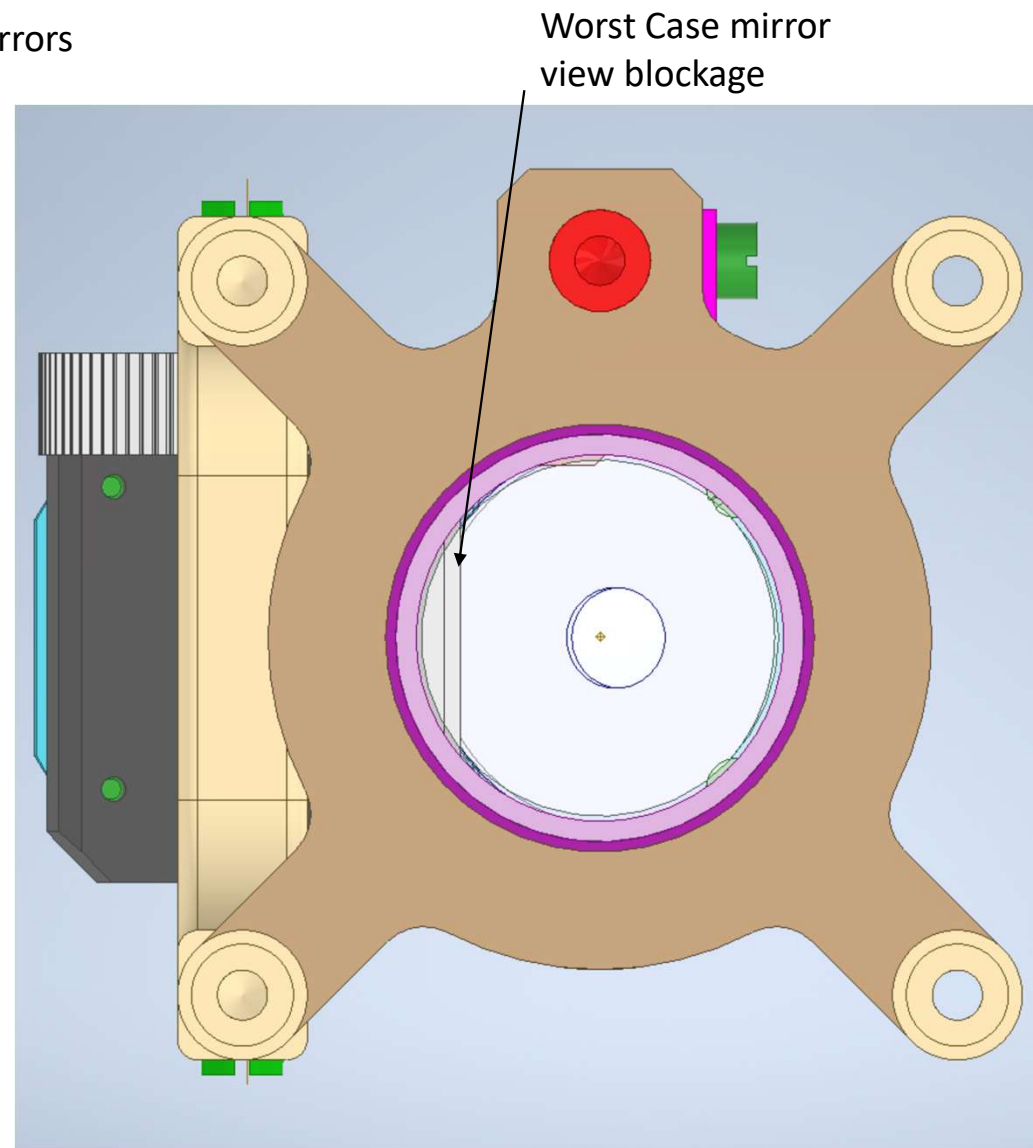
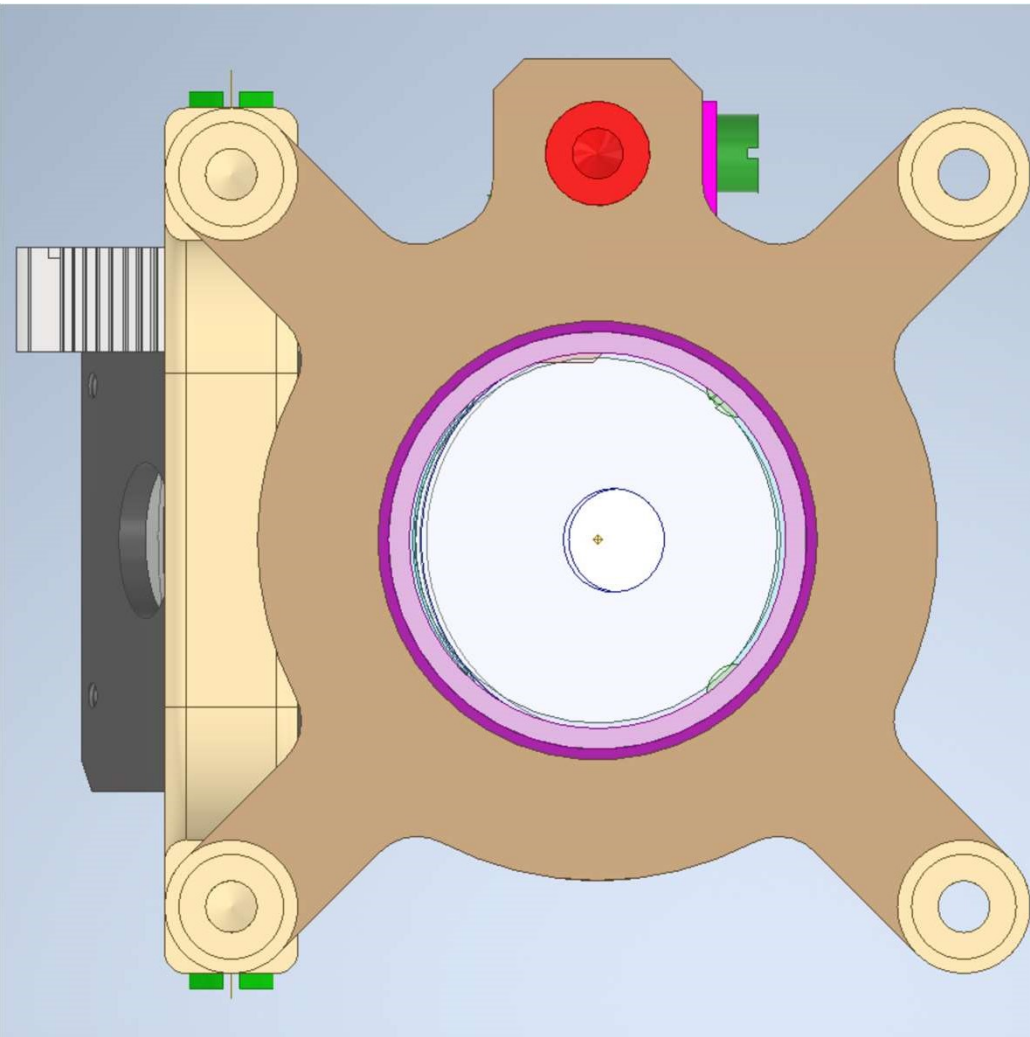
View of bottom – looking up



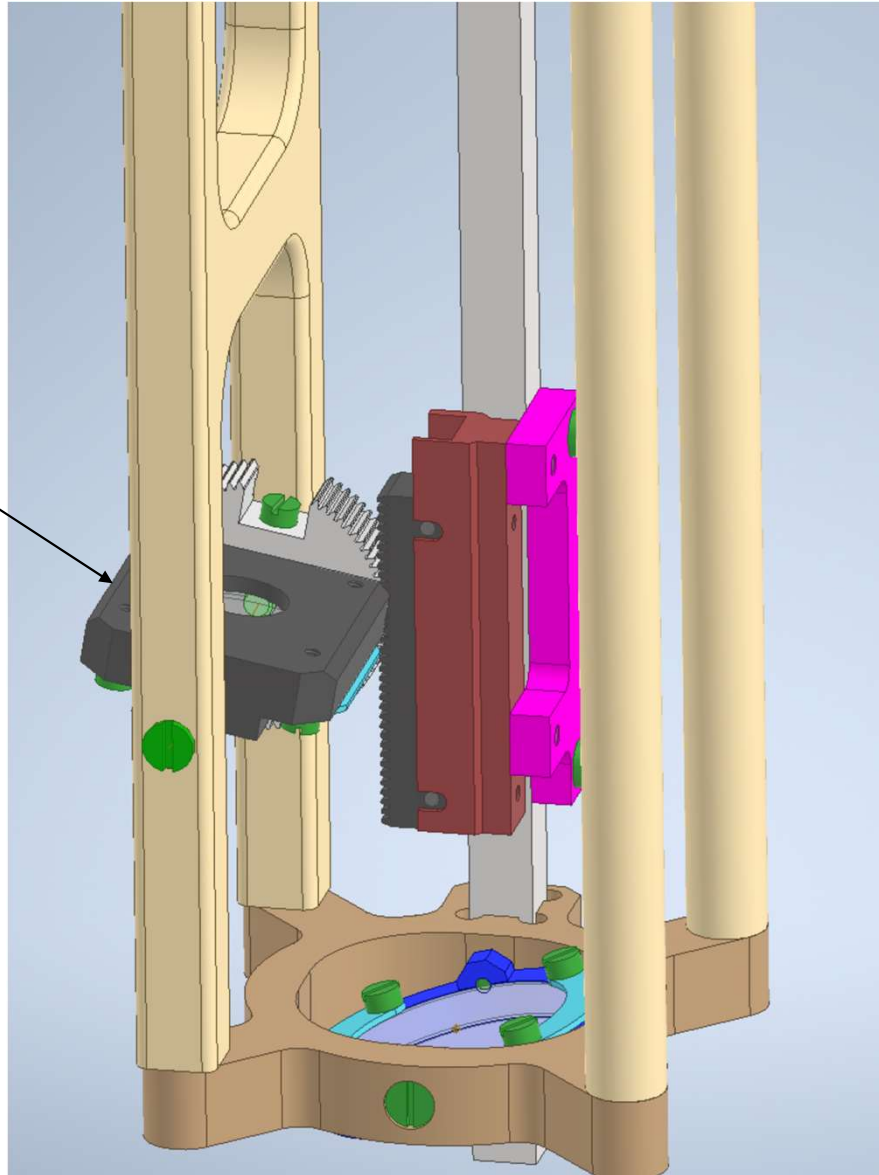
38mm mirrors

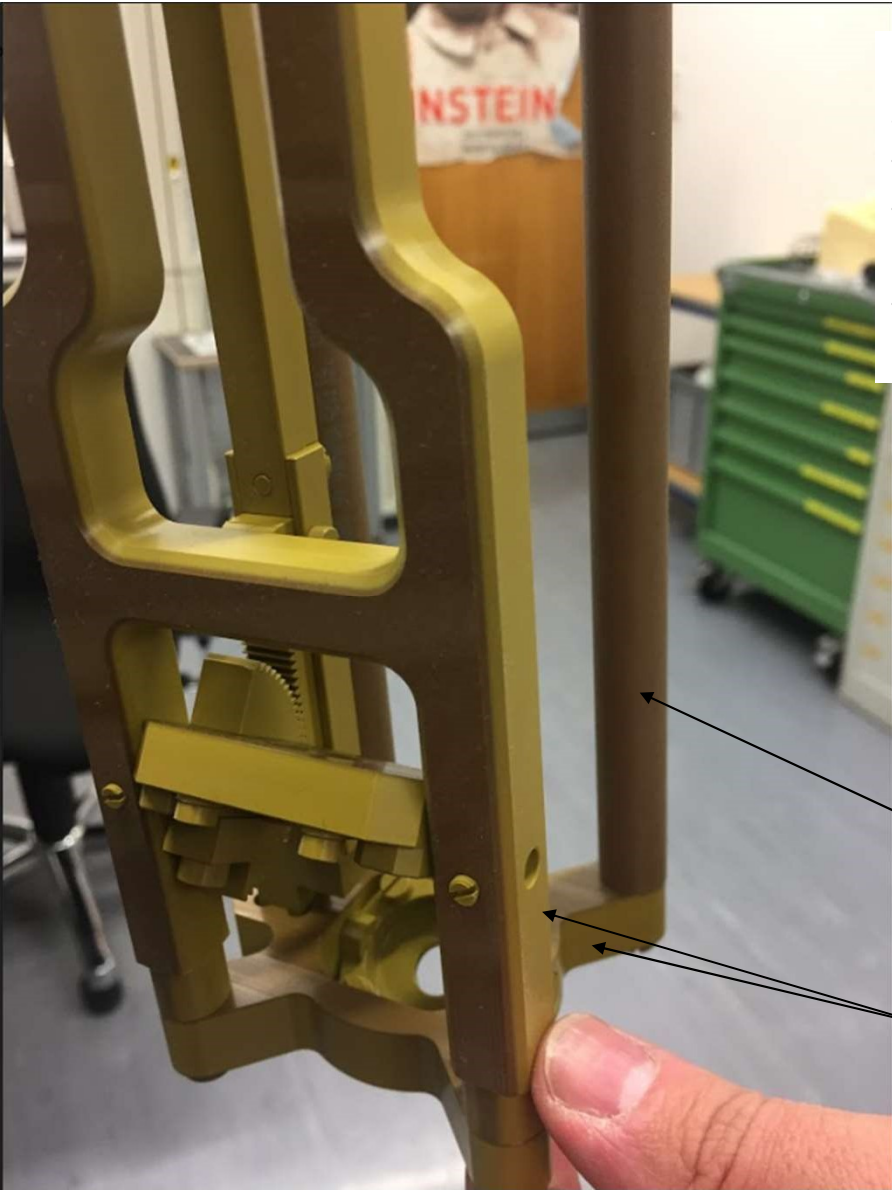


38.1mm Mirrors



Worst Case Rotating
Mirror location





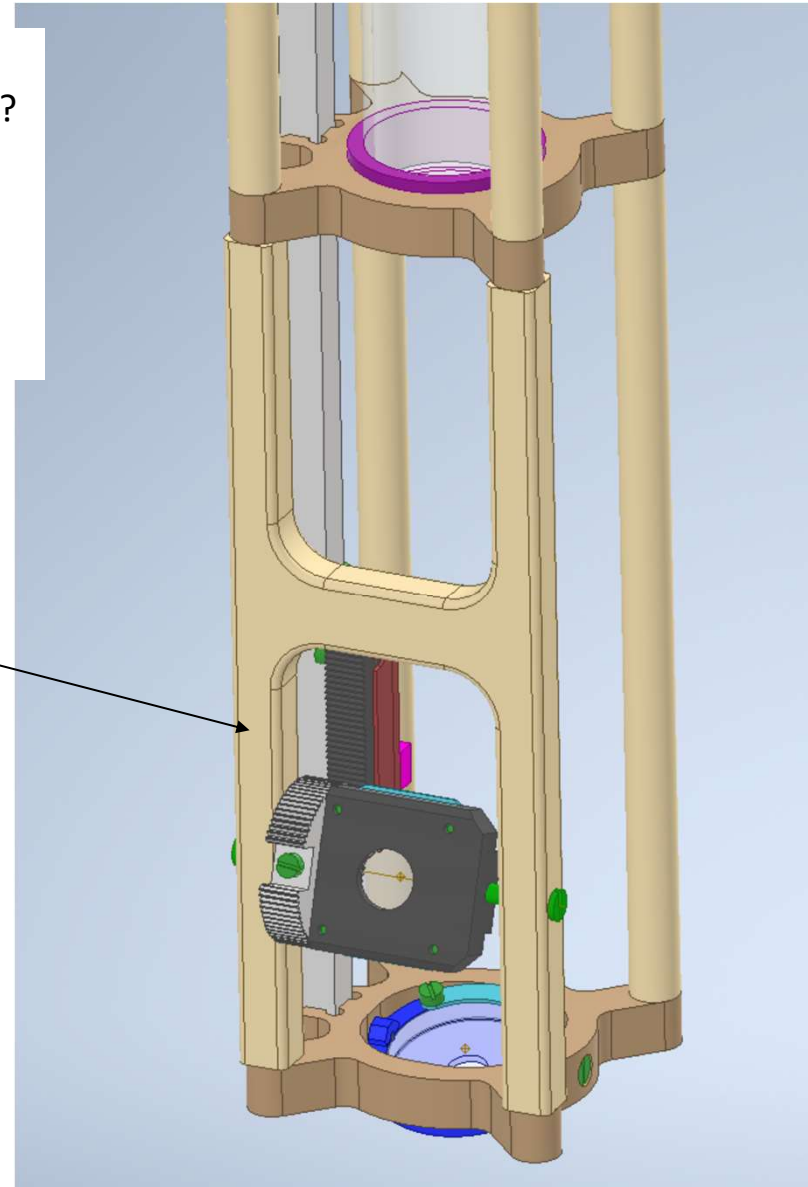
Question: Can we substitute Peek for Torlon?

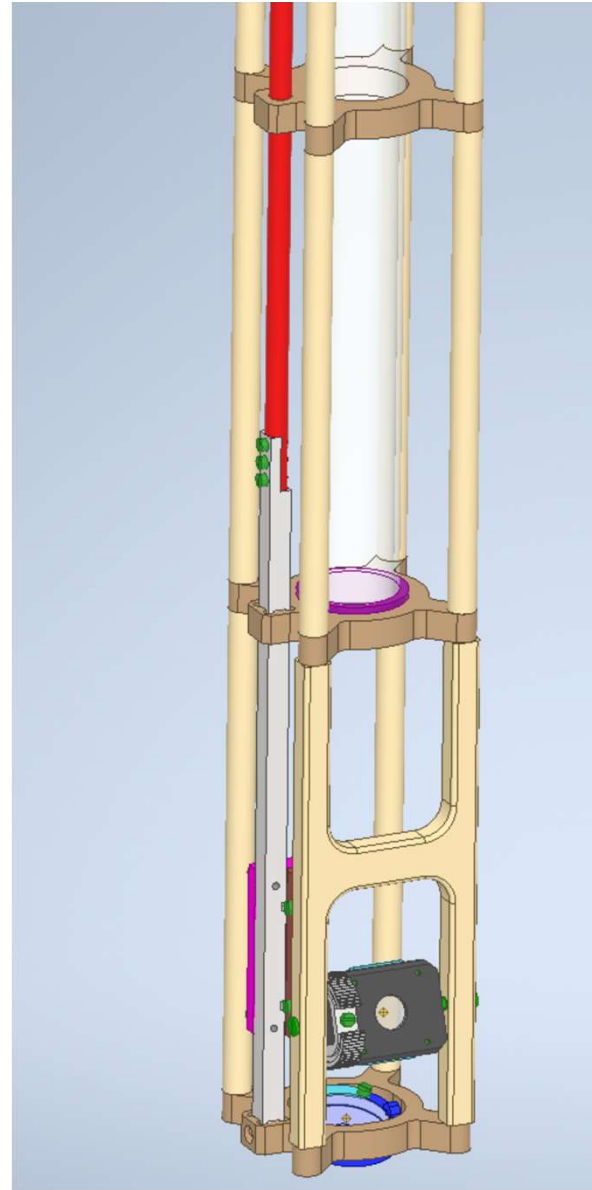
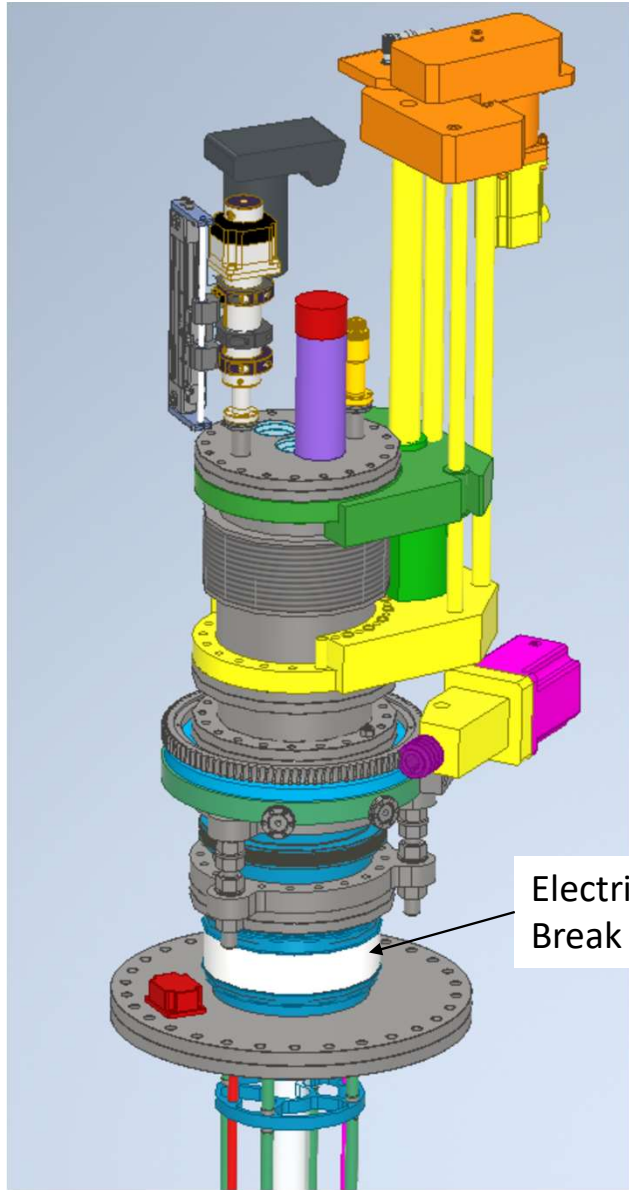
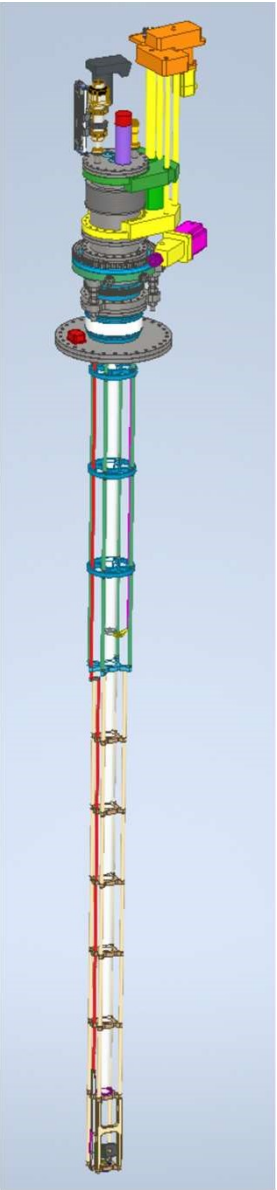
- Cheaper
- More vendor choices for material
- More choices about machining

Peek?

Torlon

Simplified Rotating Mirror Support - Peek



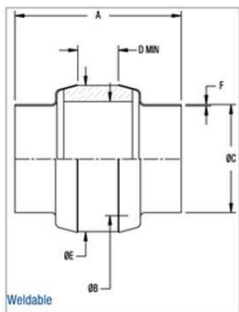


Use *, an asterisk character, known as a wildcard, to search using partial part numbers or descriptions. For example, if you were to search the partial part number, 306, followed by an asterisk, 306*, then you will get search results containing all MDC part numbers beginning with 306. The asterisk can be used anywhere within a part number or phrase.

FILTER BY : ALL

- Search Xpress (In Stock) Parts Search Xpert (Lead Time) Parts Search ALL Parts

Search Result



Part Name : **9631005 - Ceramic Break , 15KV, Envelope , 6" Diameter , Weldable**

Ceramic Break , 15KV, Envelope , 6" Diameter , Weldable

0040703

[Learn More](#)

Net Price :

\$1,555.00 EACH

List Price : \$1,555.00

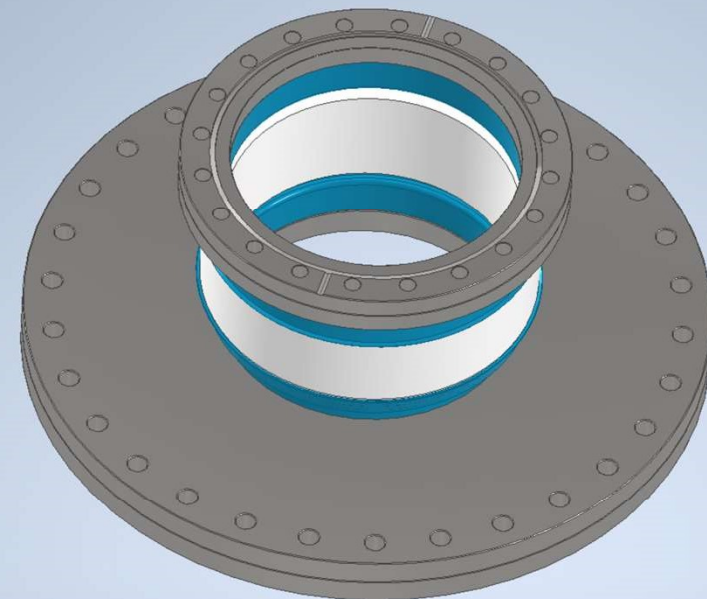
Lead Time: 30 days

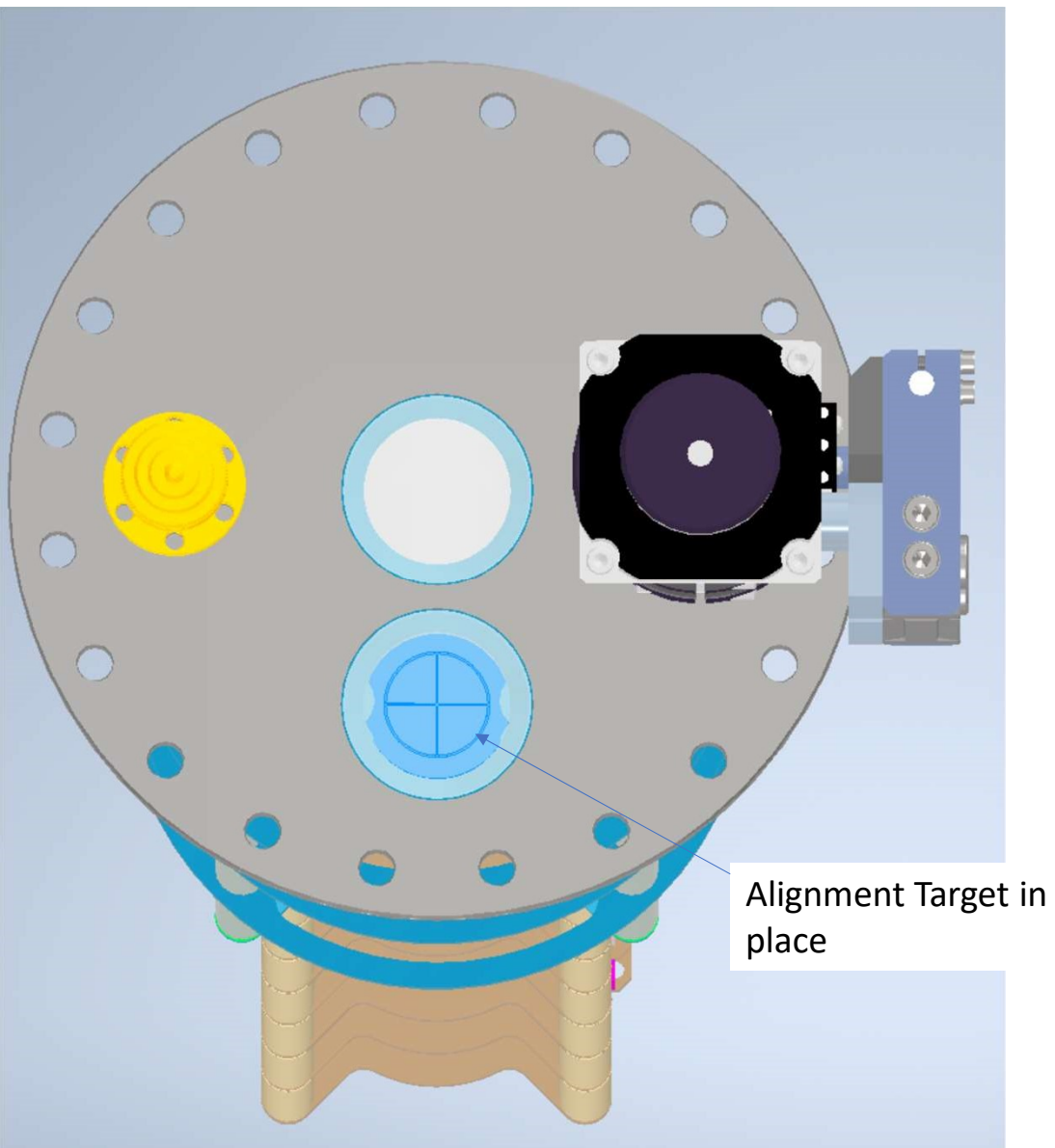
Qty :

ADD

Found in : [Electrical Feedthroughs](#) > [Breaks & Envelope](#) > [Vacuum Breaks](#) > [to 15,000 Volts, tube size 2 1/2" - 8"](#) - Weldable > [Ceramic Break, 15KV, Envelope, 6" Diameter, Weldable](#)

Made a request to MDC for a cost for a ceramic break with Conflat flanges welded in place





Alignment Target Retracted

