

Hilman update for the Transport System

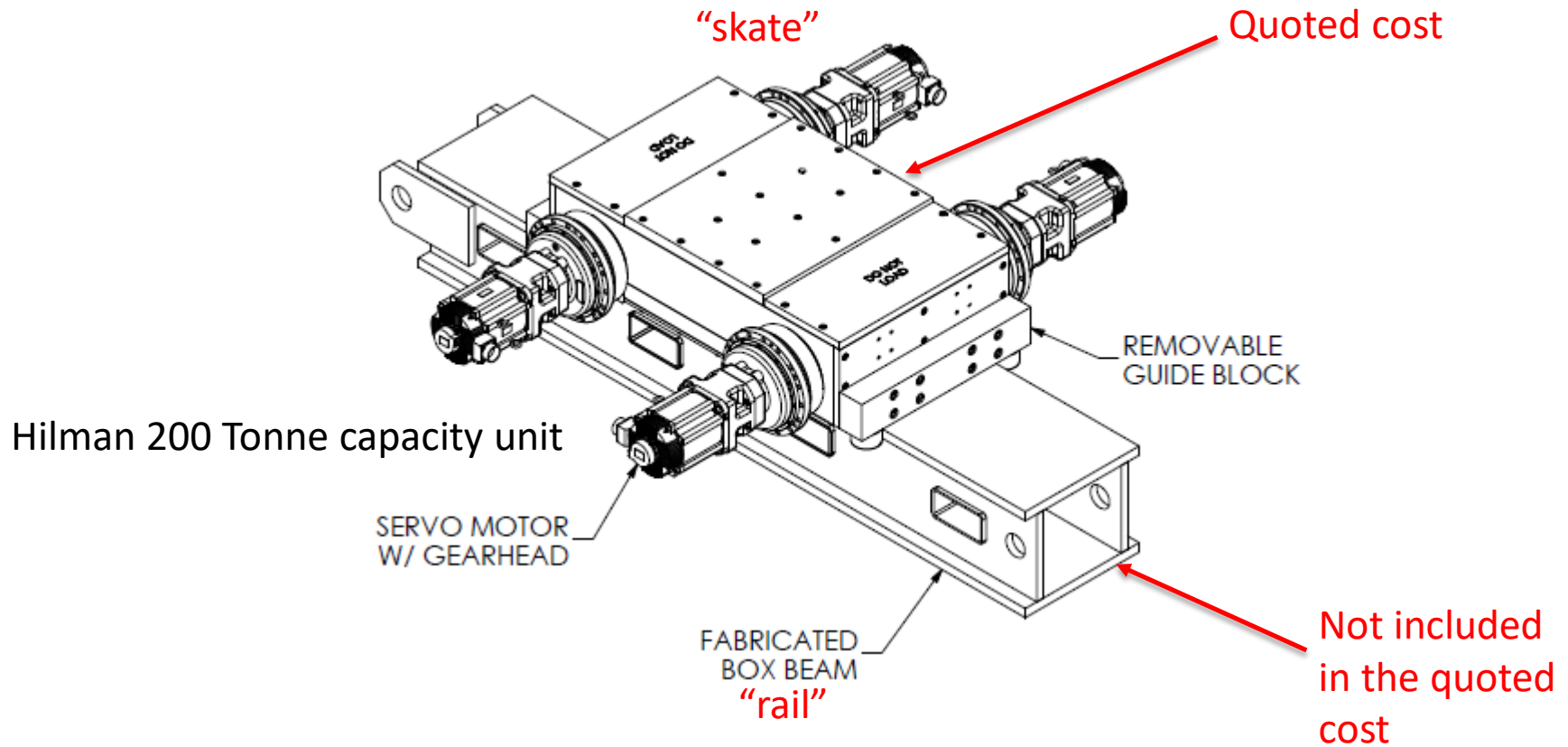


Hilman Update

- Hilman initially quoted \$885k and a 20 week delivery for (6) 200 Tonne units, rails, and motor control system; per detector movement system
- Hilman will be a break down of their current quote so that we can better understand how to allocate costs
- Just learned that their quoted cost does not include the rails!
- Hilman will be providing the cost for the rails



Powered Hilman skate



- Hilman will be providing the cost for the rails