

End To End Information Systems for the Intensity Frontier

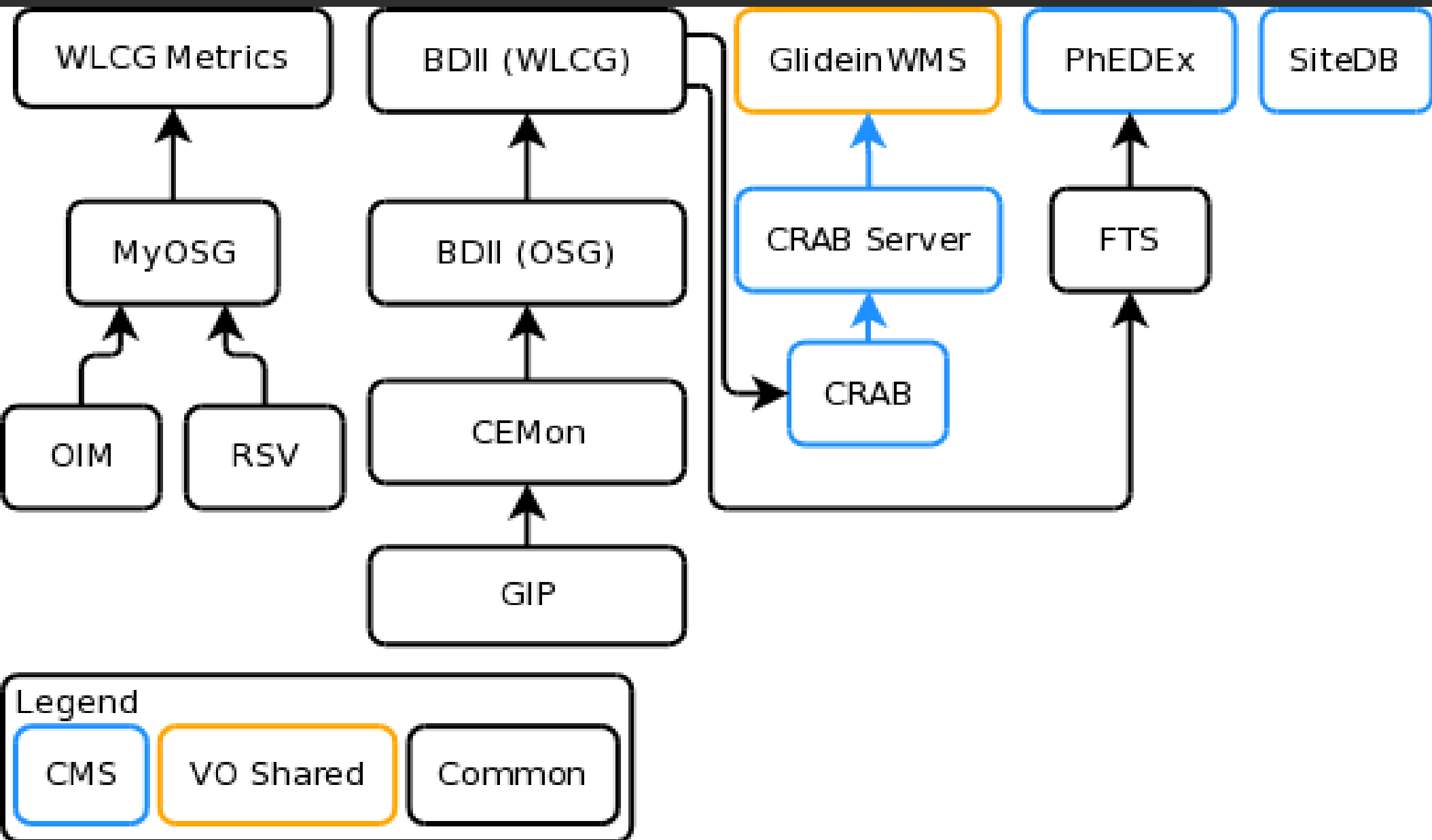
Fermilab

Why Run on the Open Science Grid?

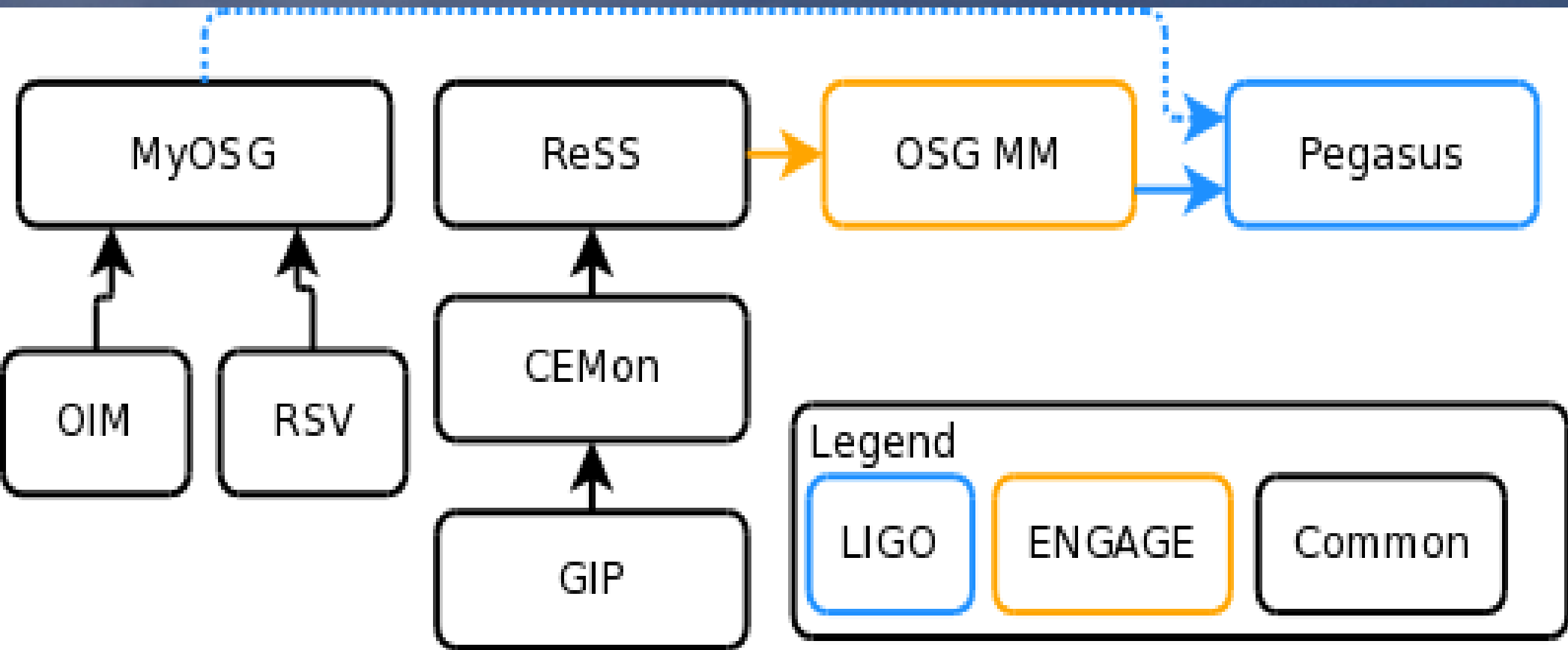
Job Slot Request Numbers for FermiGrid GP Grid

Experiment	2010	2011	2012
NOVA	100	500	800
MINOS	800	800	800
MINERvA	85	585	1085
miniboone	200	200	200
D0 Allocated	600	600	600
ACCEL. Phys. Center Allocated	600	600	600
Current Slots in GP Grid	1900		

CMS Usage of End To End Information



ENGAGE Usage of End To End Information



Main Question:

What information do you want / need to know about the resources your jobs will run on?