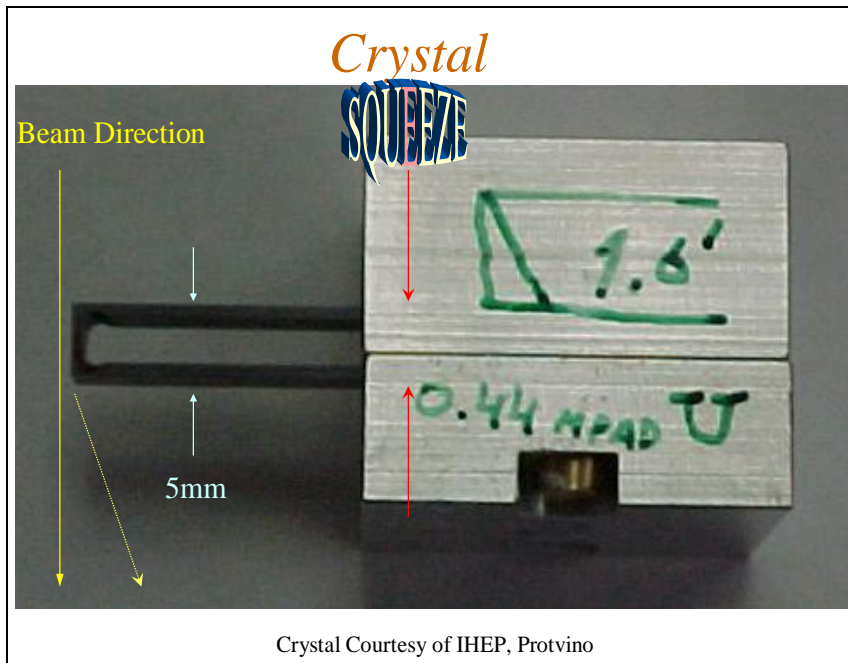
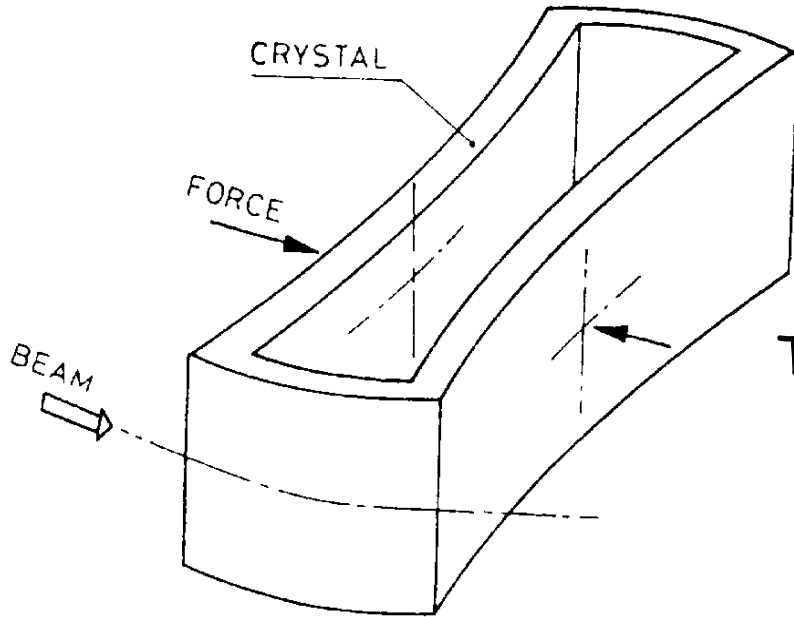


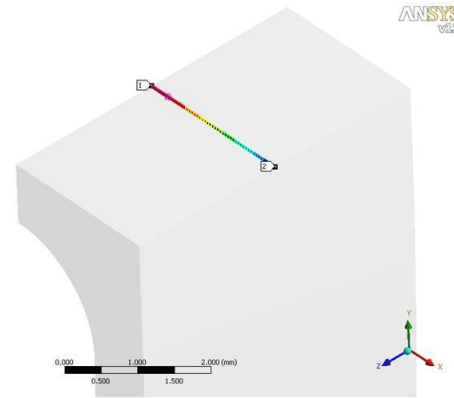
Shape of O-Shaped Crystal (1)



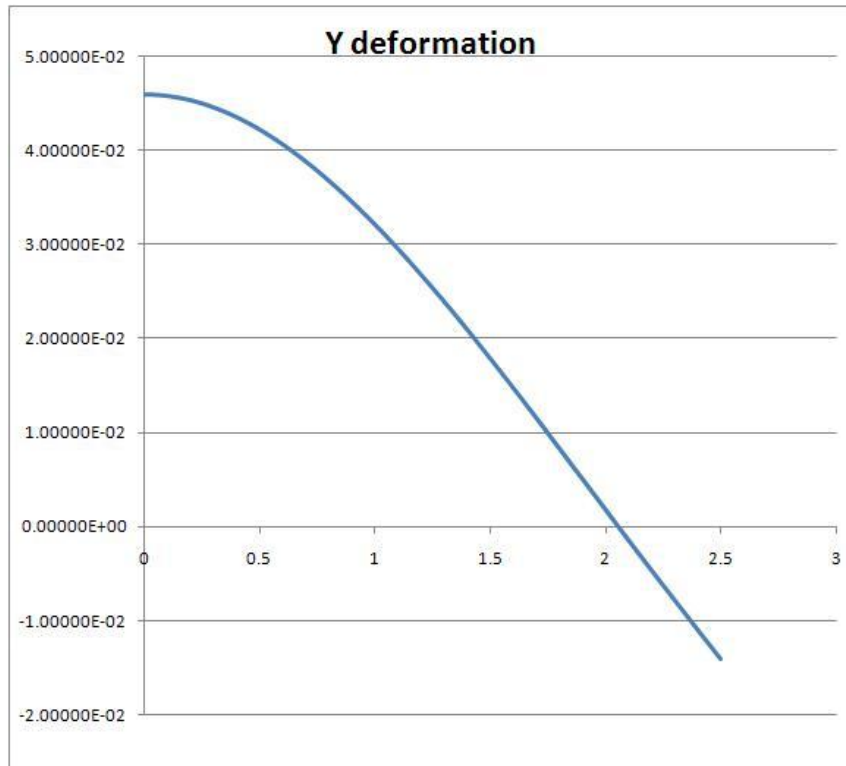
Shape of O-Shaped Crystal (1)



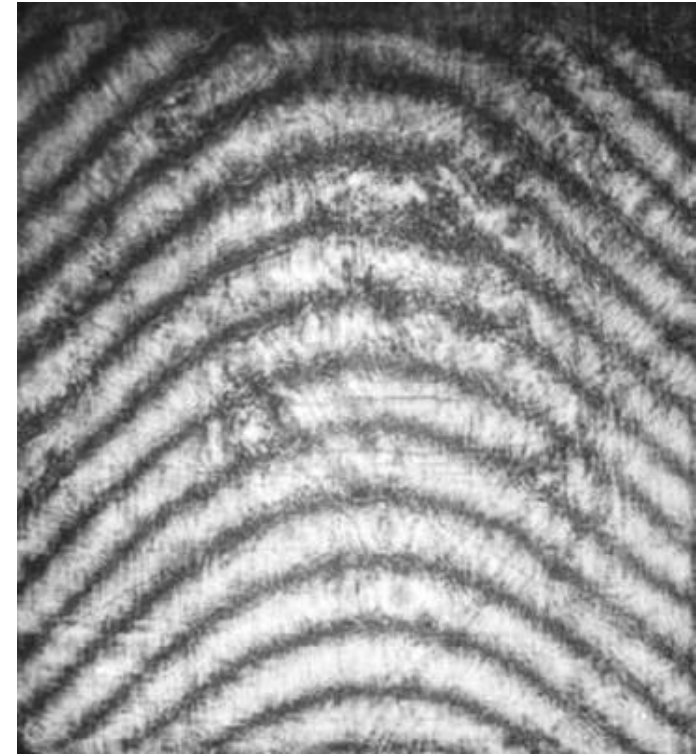
Typical dimensions 5 x 5 x 50 mm³



Shape of O-Shaped Crystal (3)



ANSYS analysis by V. Polubotko, FNAL



X-ray interference pattern by Y. Ivanov, PNPI

Only ~2.5 mm out of 5 mm are bent, remaining half is straight!
Calculations to see if this can explain smaller displacement on collimator