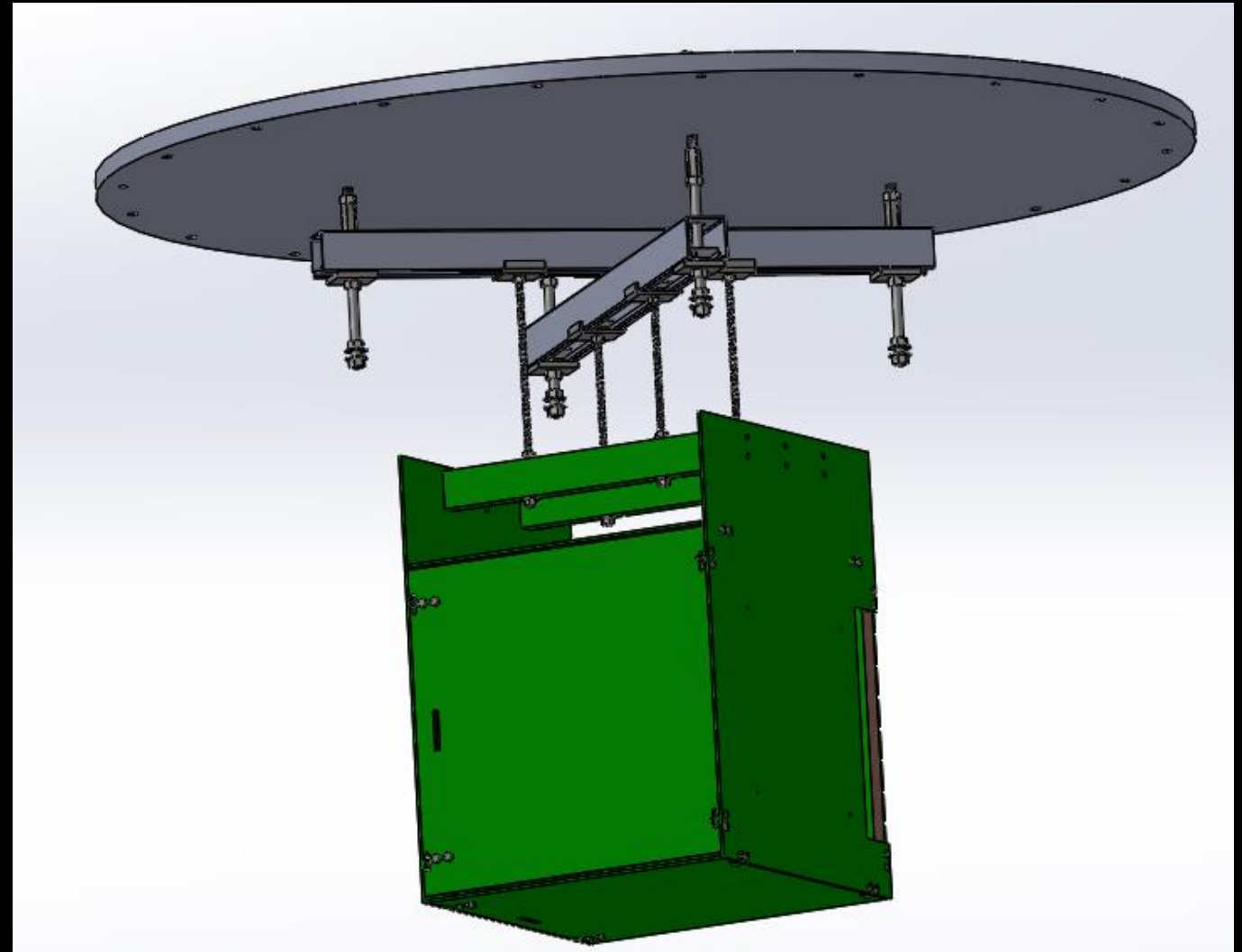


Single Cube LAr Test Setup at CSU

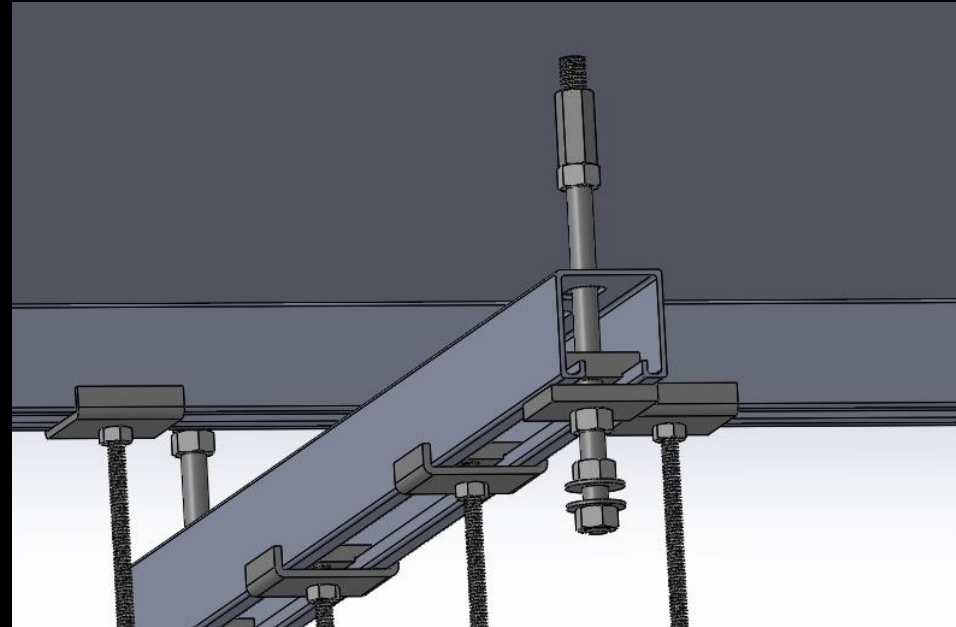
Jay Jablonski
ArgonCube Meeting
May 22, 2020



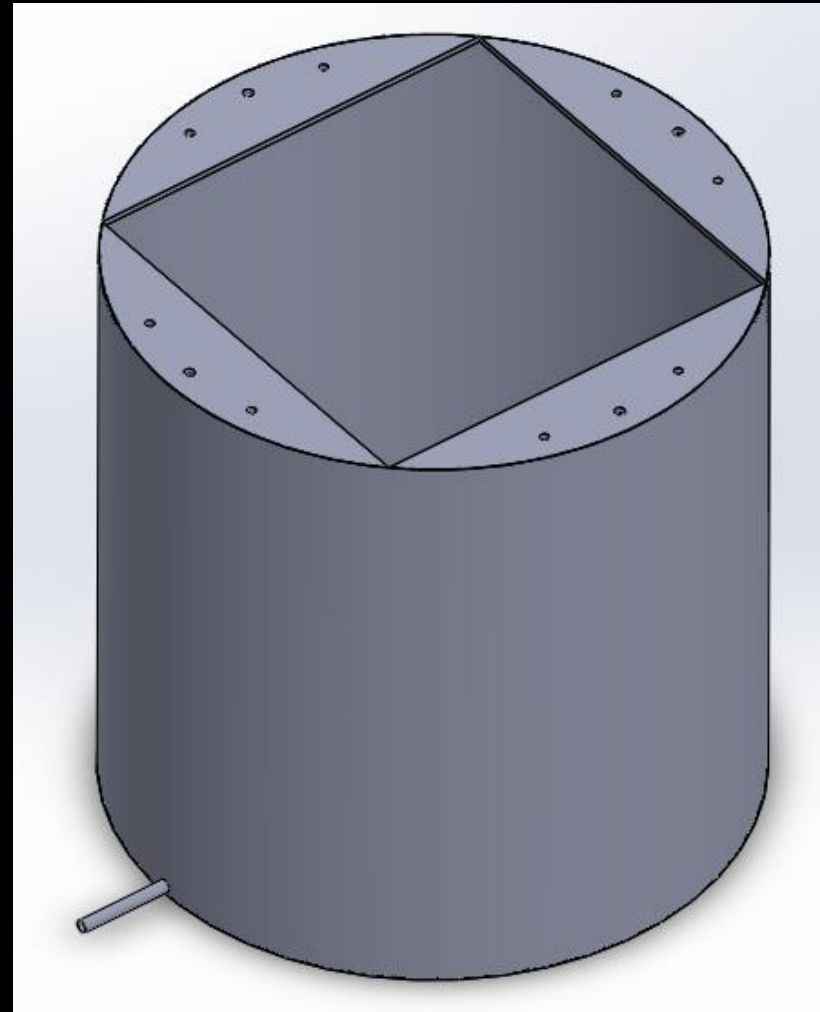
Single Cube
Suspended from
Lid



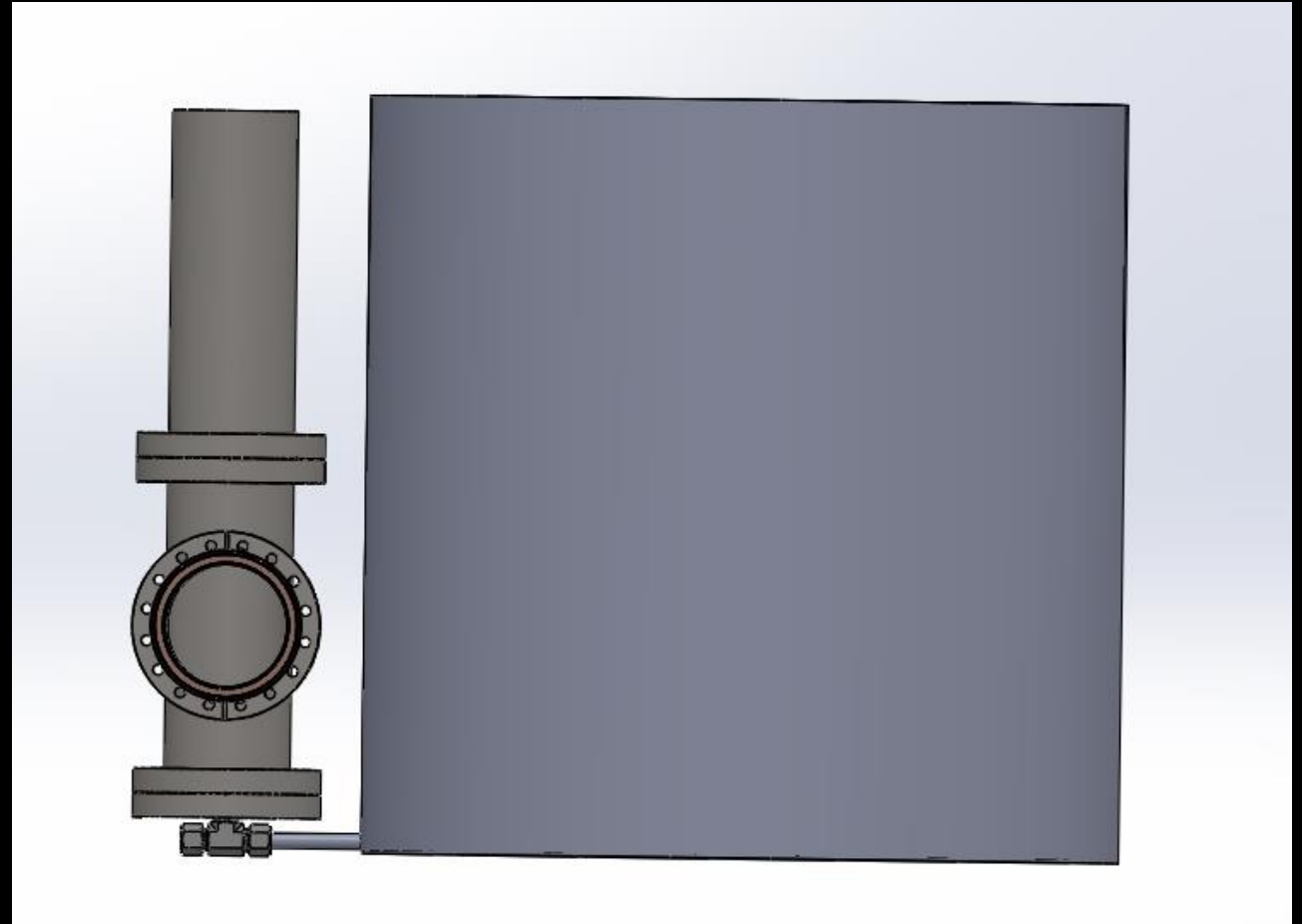
Mounts with
3/8" Threaded
rod & Stainless
Steel Unistrut



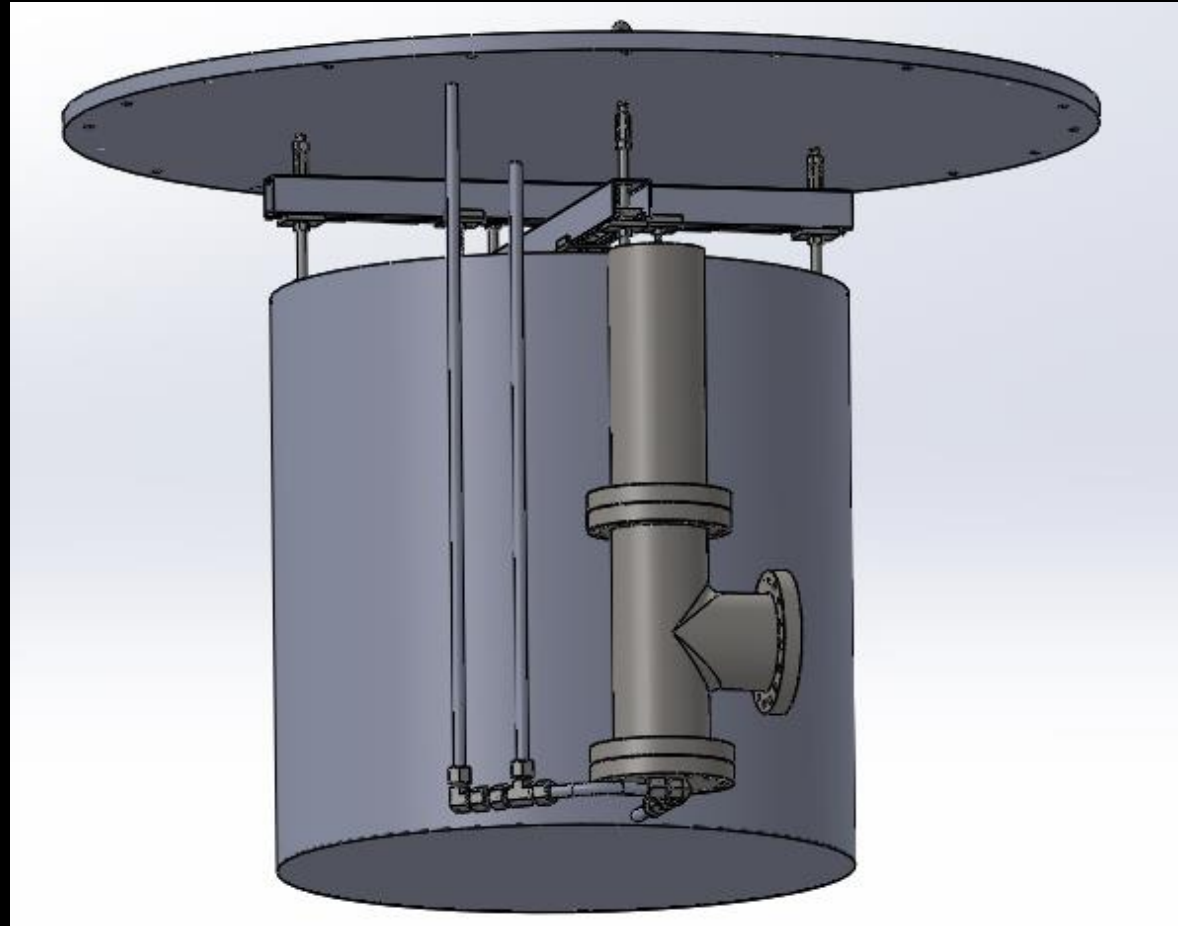
Off The Shelf
Stainless Steel
Brew Kettle with
Custom
Mounting Plates
& Drain Tube



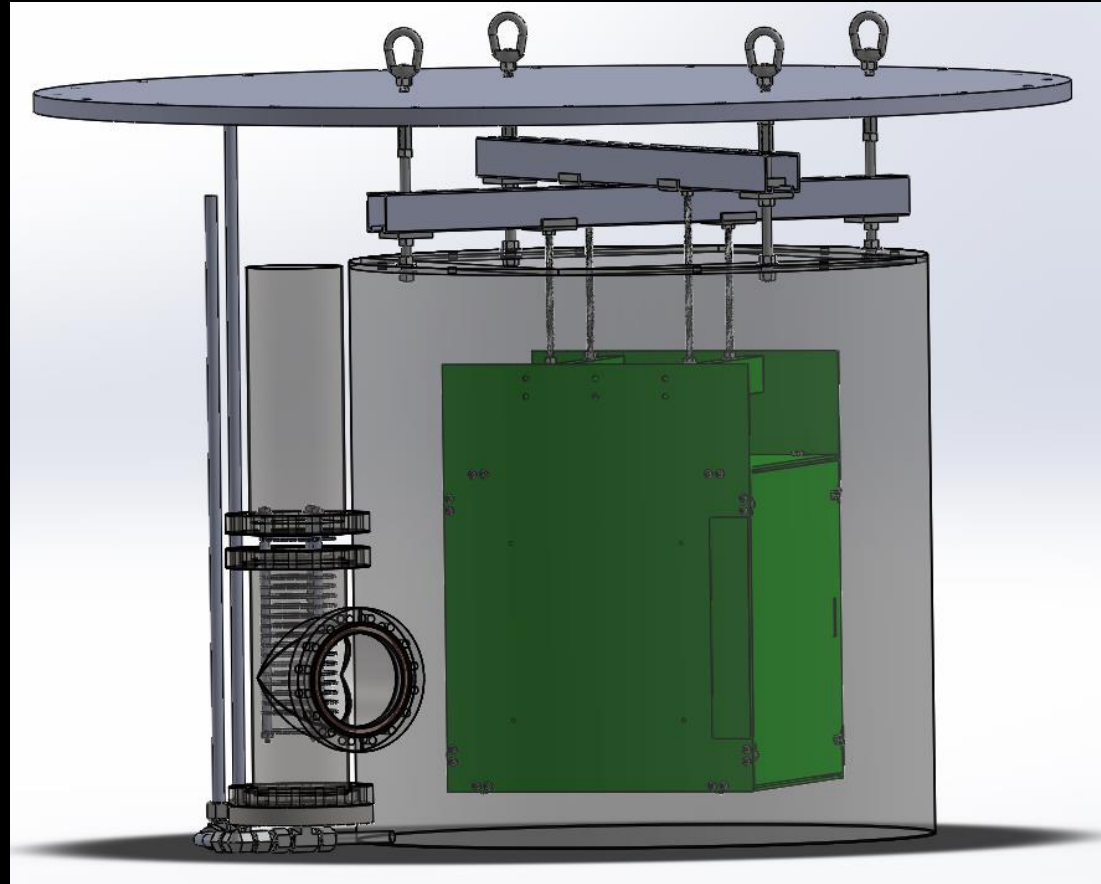
“Side Car”
Purity
Monitor
Enclosure



Fill Tube &
Depth
Sensor Tube



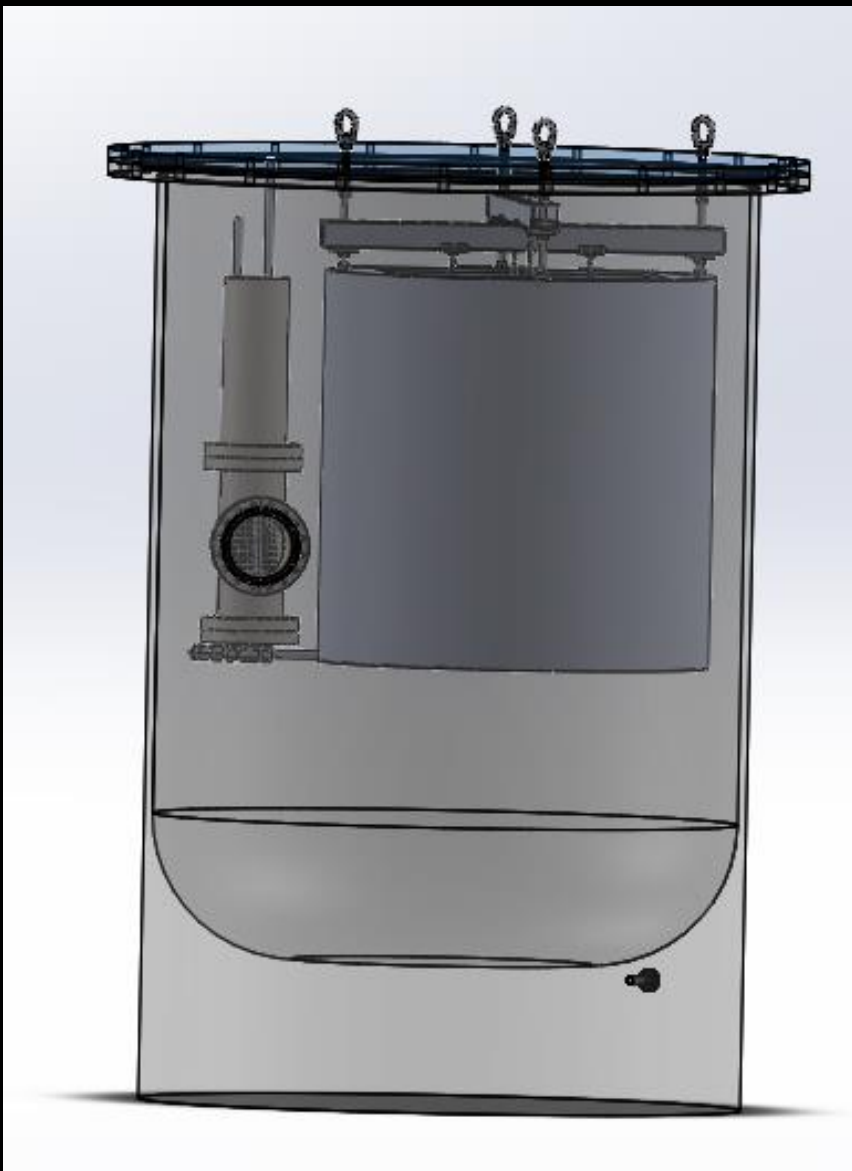
Single Cube & Purity Monitor



Full
Assembly
with Dewar
& Enclosure



Full
Assembly
inside
Cryostat



Top View

