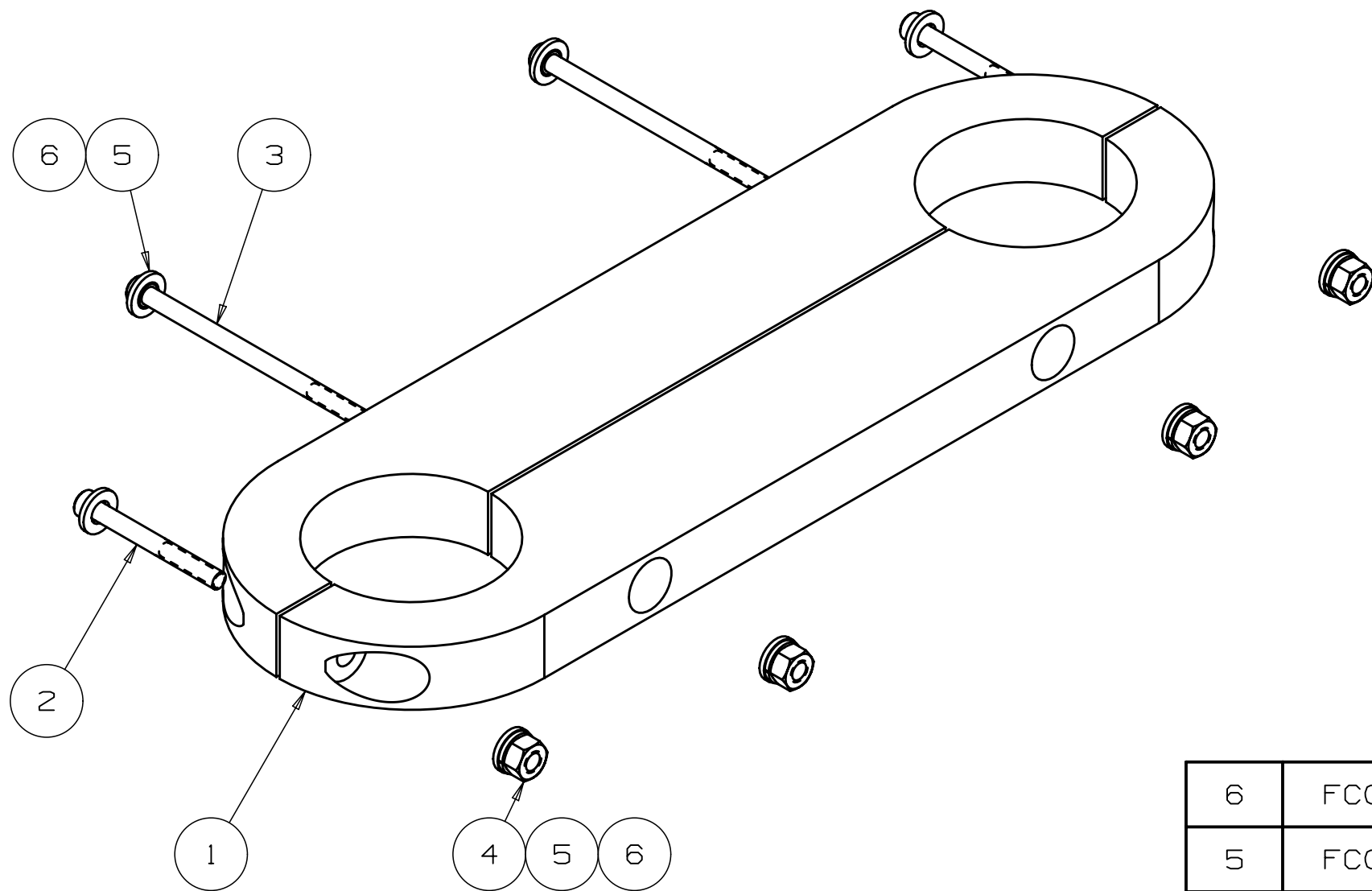


DESCRIPTION: SHORT BAYONET CROSS-BRACE ASSEMBLY
 PROJECT: PIP-11_CMTF
 CATEGORY: ASSEMBLY

REV	REVISION CONTROL DOCUMENT	DATES	SIGNATURES	
-	F10142348---RCD		DRAWN	
			APPROVED	



ITEM	FERMI #	PART NAME	QTY
6	FC0016376	WASHER-SPLIT, 5/16-0.317x0.59x0.07, SS18-8	4
5	FC0015424	WASHER, 5/16, WIDE 0.625 WIDE x0.08 THICK, 18-8 STAINLESS STEEL	8
4	FC0014130	NUT-HEX, 5/16-18x0.2656, SS18-8	4
3	FC0003361	SHCS, 1/4-20x4LGx1T, SS18-8	2
2	FC0003354	SHCS, 1/4-20x2.25LGx1T, SS18-8	2
1	F10142319	BAYONET CROSS-BRACE, SHORT	1

PARTS LIST

NOTES: (UNLESS OTHERWISE SPECIFIED)


- PART MUST BE FREE OF DIRT, GREASE, OIL AND CHIPS.
- PART TO BE FREE OF ALL SHARP EDGES, CORNERS, AND BURRS.

UNLESS OTHERWISE SPECIFIED				
±.X	±.XX	±.XXX	±X/X	±X°
.1	.02	.005	1/16	1°

BREAK ALL SHARP EDGES, MAX: .015
 DO NOT SCALE DRAWING
 DIMENSIONS BASED ON: ASME Y14.5-2009
 MAX MACHINE ALL SURFACES: 125√
 DRAWING UNITS: INCHES

THIRD ANGLE PROJECTION

DRAWN	A.RUSY	DATE	17-Aug-2020
CHECKED		DATE	
APPROVED		DATE	
USED ON	F10126703		
MATERIAL	SEE PARTS LIST		
GROUP:	Technical Division - Design and Drafting / CAGE CODE: OUSR6		



FERMI NATIONAL ACCELERATOR LABORATORY
 UNITED STATES DEPARTMENT OF ENERGY

NAME
 SHORT BAYONET CROSS-BRACE ASSEMBLY

SCALE	SIZE	DRAWING NUMBER	SHEET	REV
1:2	B	F10142348	1 of 1	-

TEMPLATE VERSION: 2018.12.03