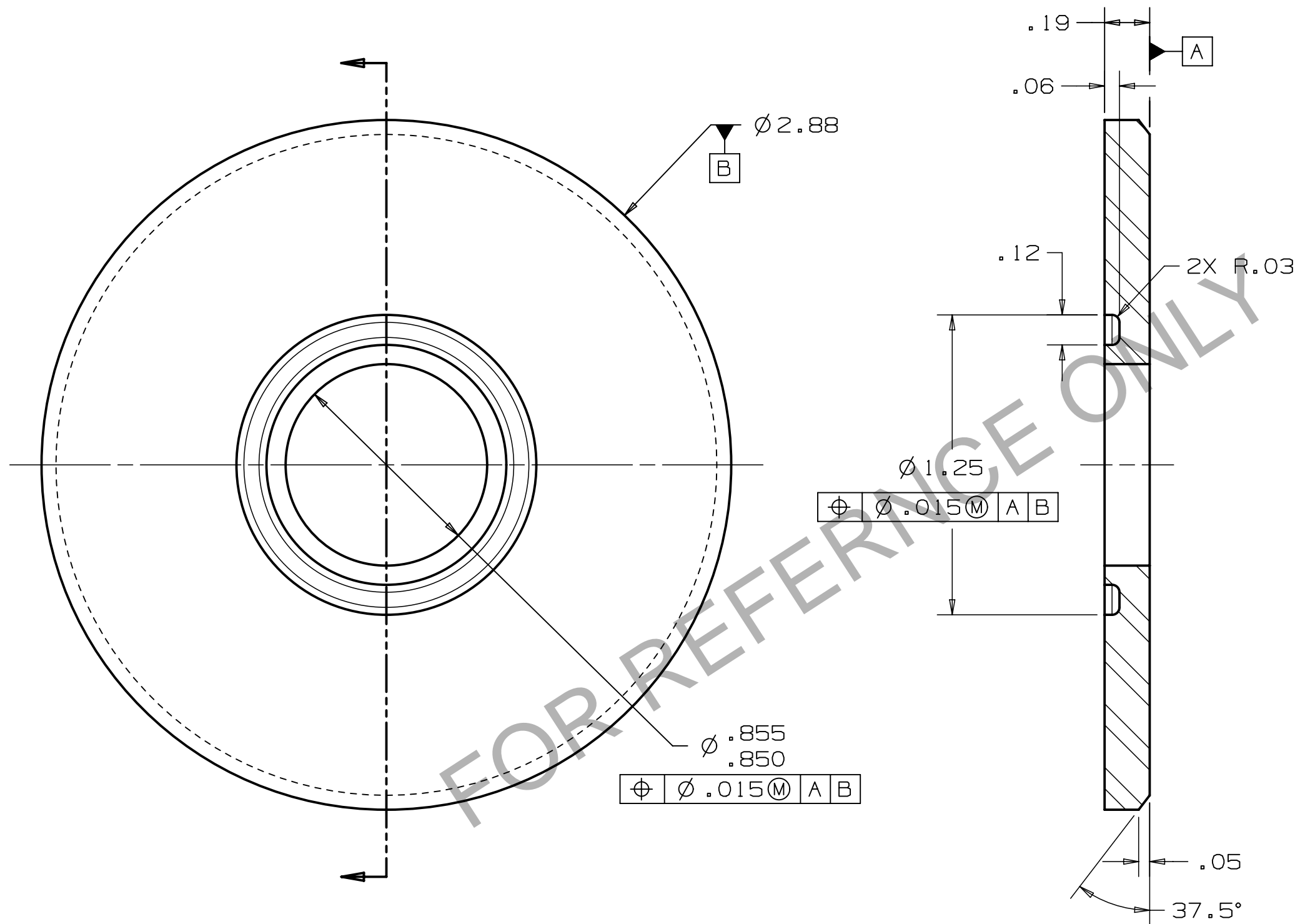


DESCRIPTION: RING, REDUCING BLANK-OFF, 2-1/2" PIPE X 1/2" PIPE
 PROJECT: PIP-11_CMTF
 CATEGORY: RING

REV	REVISION CONTROL DOCUMENT	DATES	SIGNATURES	
-	F10086263---RCD		DRAWN	
			APPROVED	



FOR REFERENCE ONLY

NOTES (UNLESS OTHERWISE SPECIFIED):

- PART MUST BE FREE OF DIRT, GREASE, OIL, AND CHIPS.
- PART MUST BE FREE OF SHARP EDGES, CORNERS AND BURRS.

UNLESS OTHERWISE SPECIFIED				
$\pm .X$	$\pm .XX$	$\pm .XXX$	$\pm X/X$	$\pm X^\circ$
.1	.02	.005	1/16	2.5°

BREAK ALL SHARP EDGES, MAX: .015
 DO NOT SCALE DRAWING
 DIMENSIONS BASED ON: ASME Y14.5-2009
 MAX MACHINE ALL SURFACES: 125√
 DRAWING UNITS: INCHES

THIRD ANGLE PROJECTION

DRAWN	C.REID	DATE	21-Sep-2020
CHECKED	F.MCCONOLOGUE	DATE	16-Sep-2016
APPROVED	R.RABEHL	DATE	19-Sep-2016
USED ON	F10126703		
MATERIAL	304 STAINLESS STEEL, UNS S30400		
GROUP:	Technical Division - Design and Drafting CAGE CODE: OUSR6		

 FERMI NATIONAL ACCELERATOR LABORATORY UNITED STATES DEPARTMENT OF ENERGY		NAME	
		RING, REDUCING BLANK-OFF, 2-1/2" PIPE X 1/2" PIPE	
SCALE	SIZE	DRAWING NUMBER	SHEET
2:1	B	F10086263	1 of 1
			REV
			-

TEMPLATE VERSION: 2018.12.03