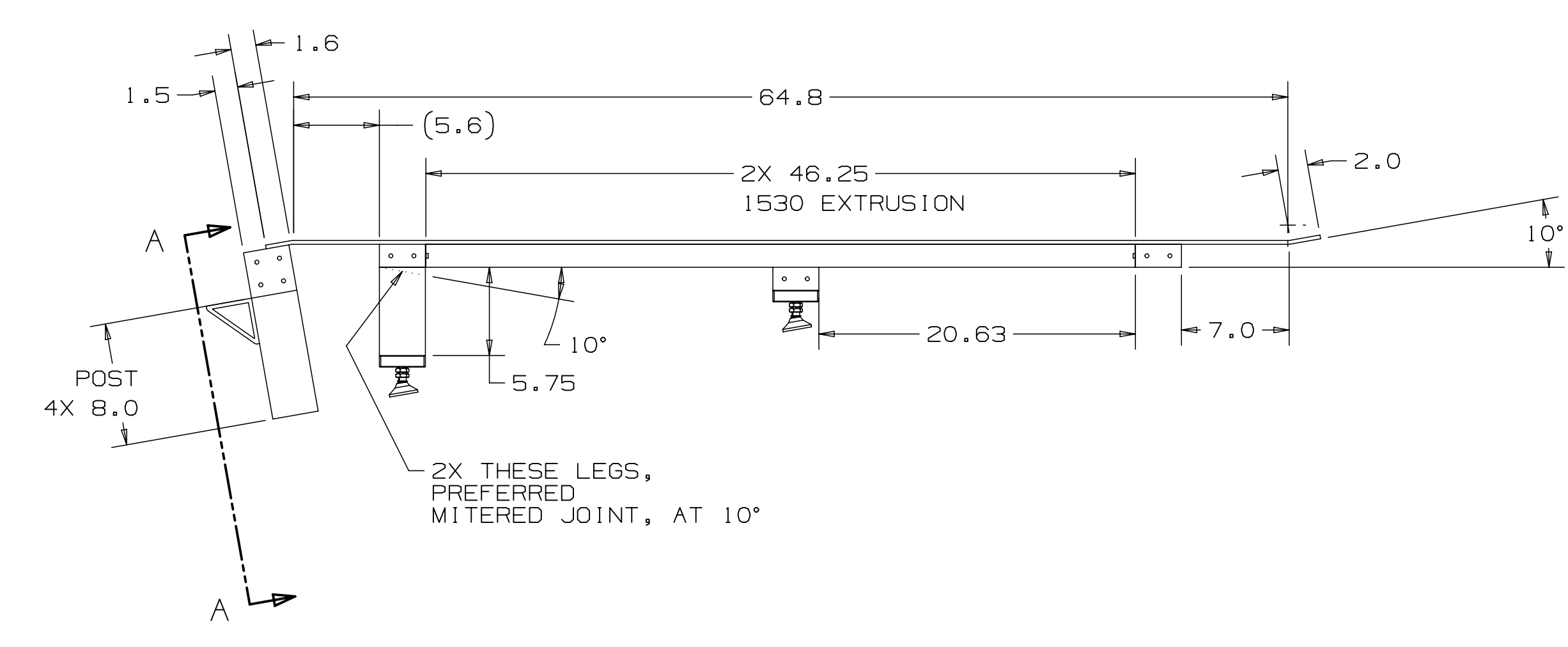
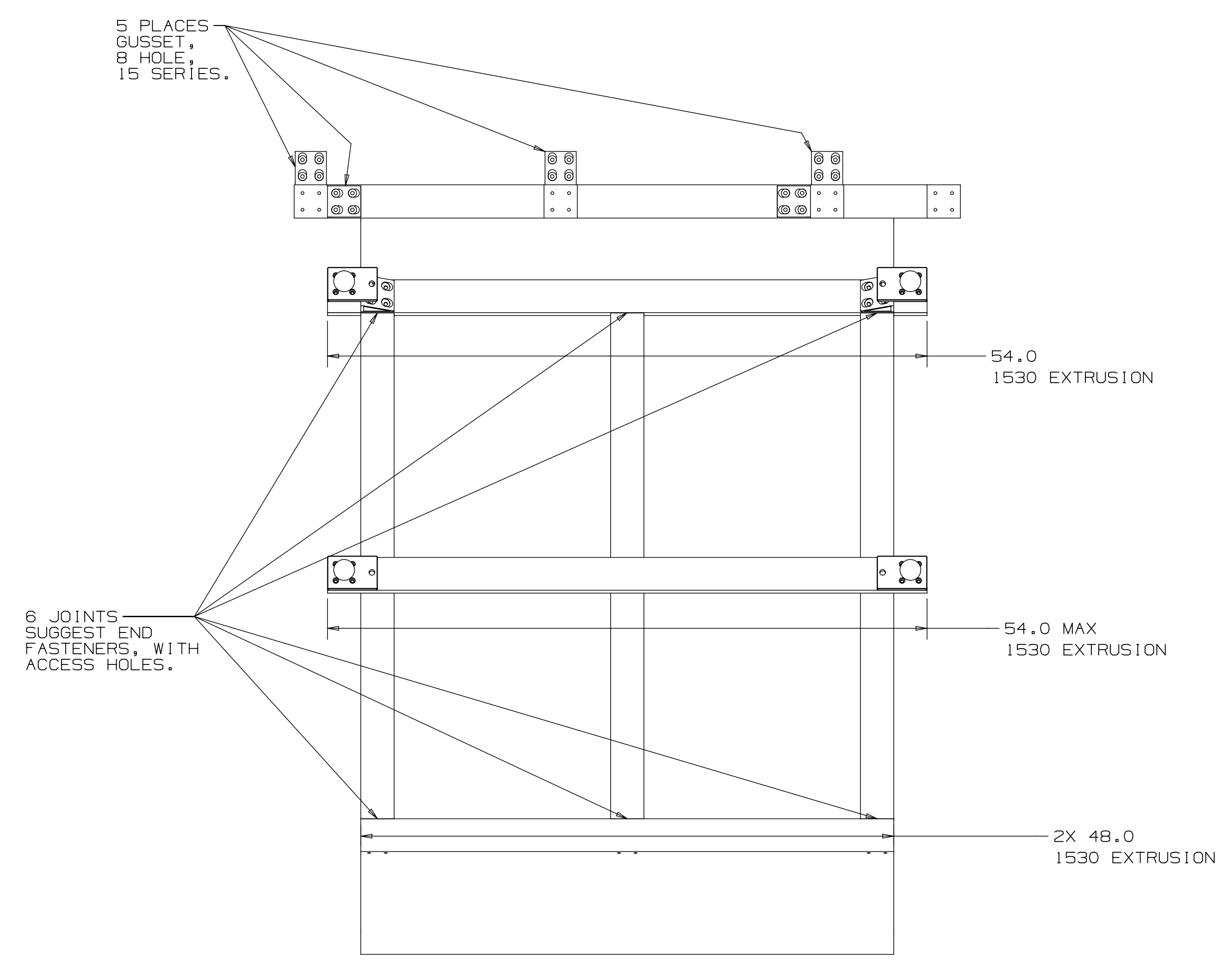
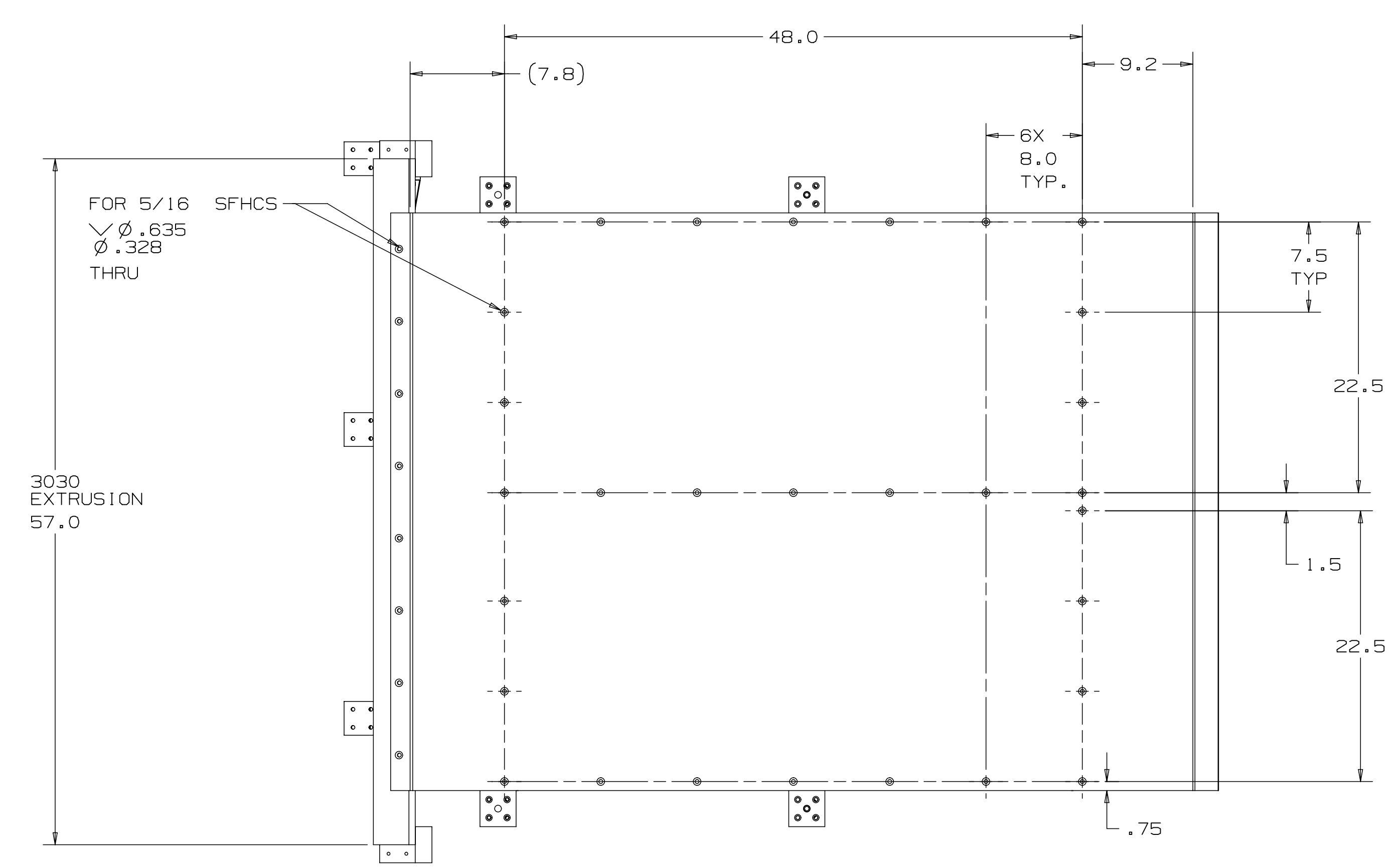
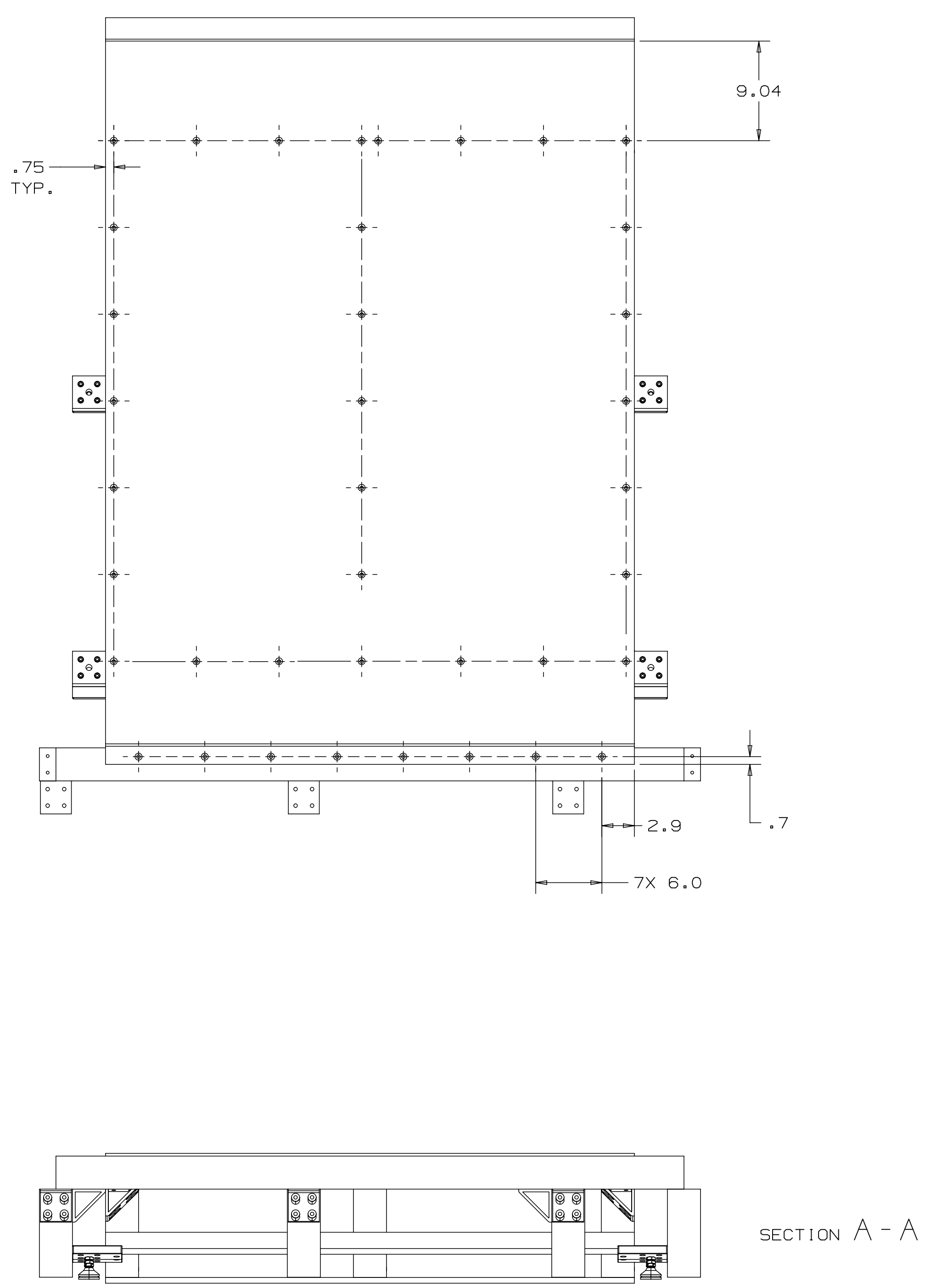


REV	REVISION CONTROL DOCUMENT	DATE	SIGNATURES
-	F10120632 - RCD	18-Apr-2019	DRAWN APPROVED



UNLESS OTHERWISE SPECIFIED				DRWN	T. HAMERLA	DATE
1:1	1:2X	1:XXX	1:4X	CHECKED		
1:1	1:50	1:500	1:1/8	APPROVED		
DO NOT SCALE DRAWING				USED ON		
DIMENSIONS BASED ON: ASME Y14.5-2009				F10119875		
MAX MACHINE ALL SURFACES: 125/				MATERIAL: 6061-T6 ALUMINUM, UNS AN90061		
DRAWING UNIT: INCHES				GROUP: Accelerator/Mechanical/Support		
THIRD ANGLE PROJECTION				CASE CODE: 0298		

FERMI NATIONAL ACCELERATOR LABORATORY		UNITED STATES DEPARTMENT OF ENERGY	
SCALE	SIZE	DRAWING NUMBER	SHEET
E	1 or 1	F10120632	REV