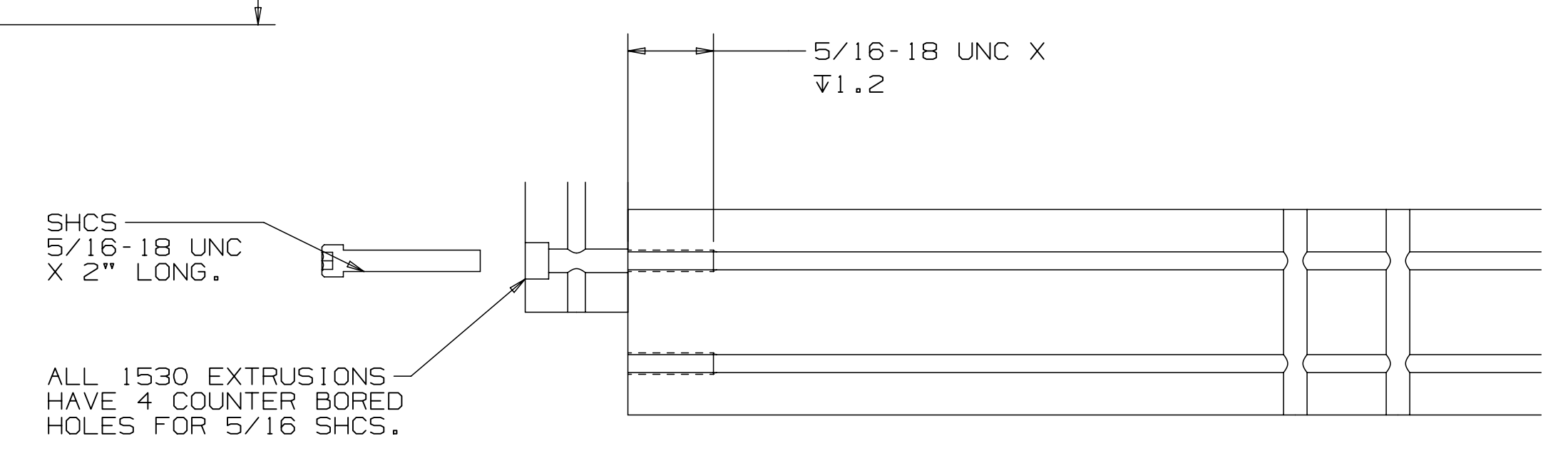
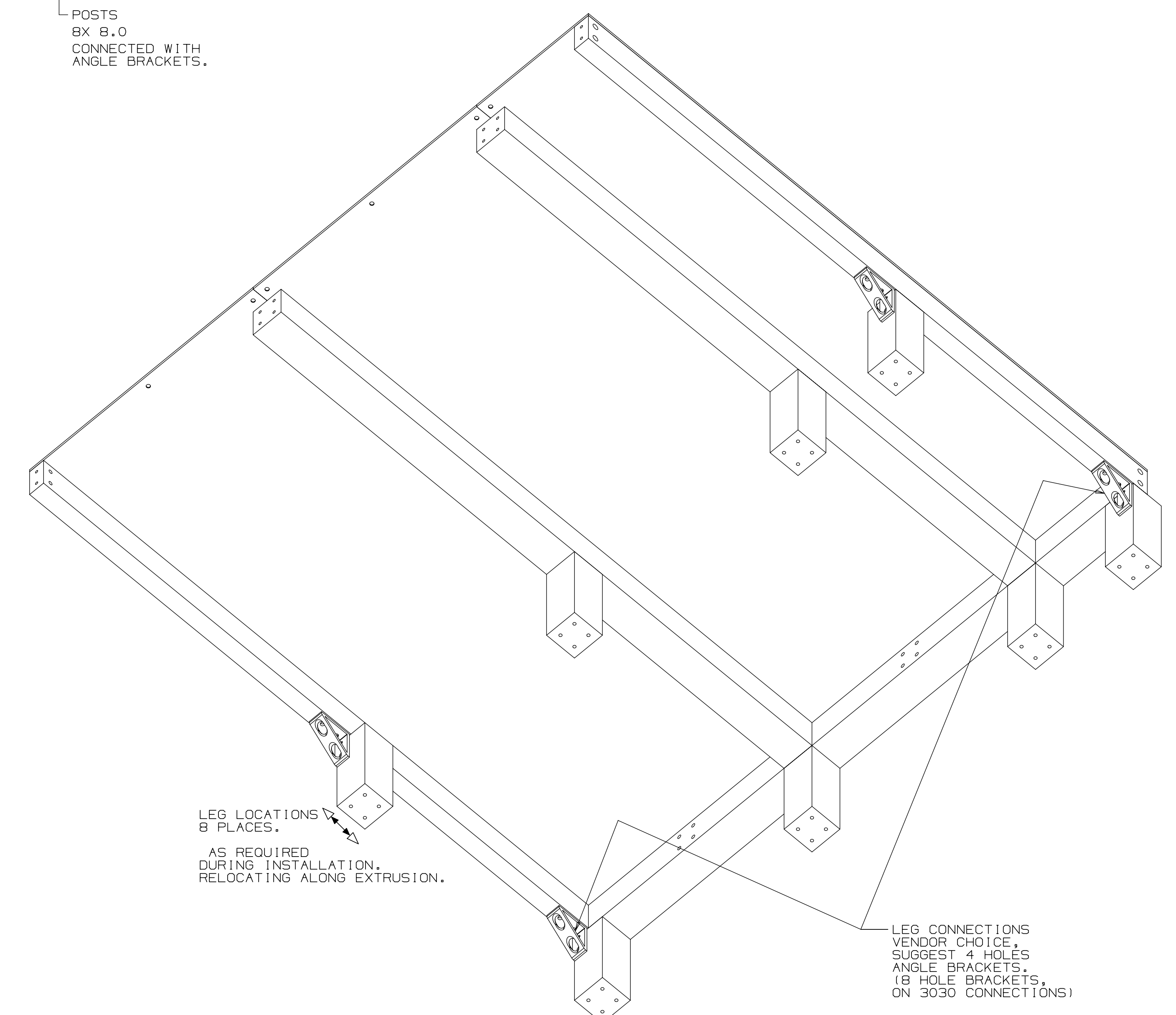
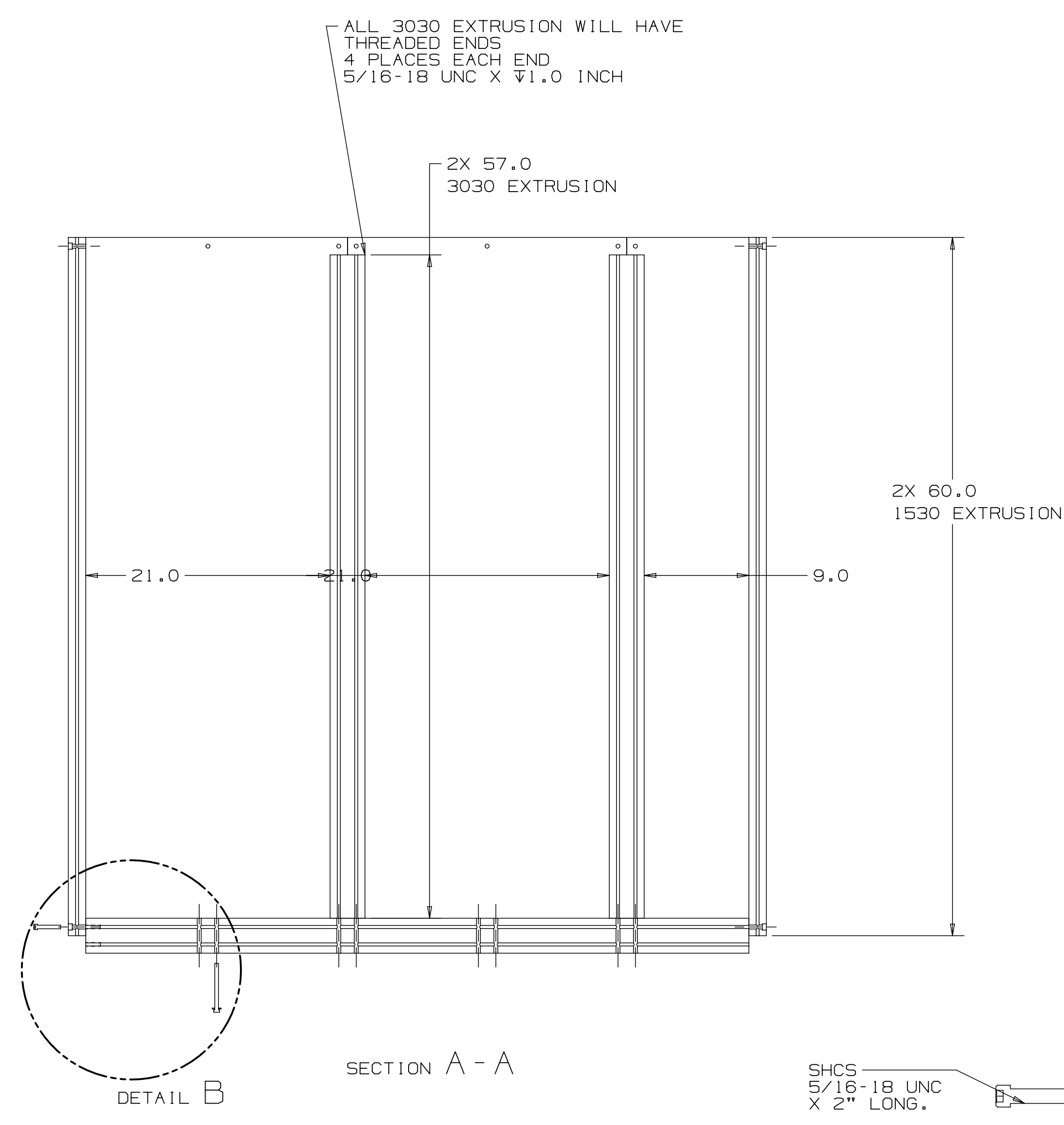
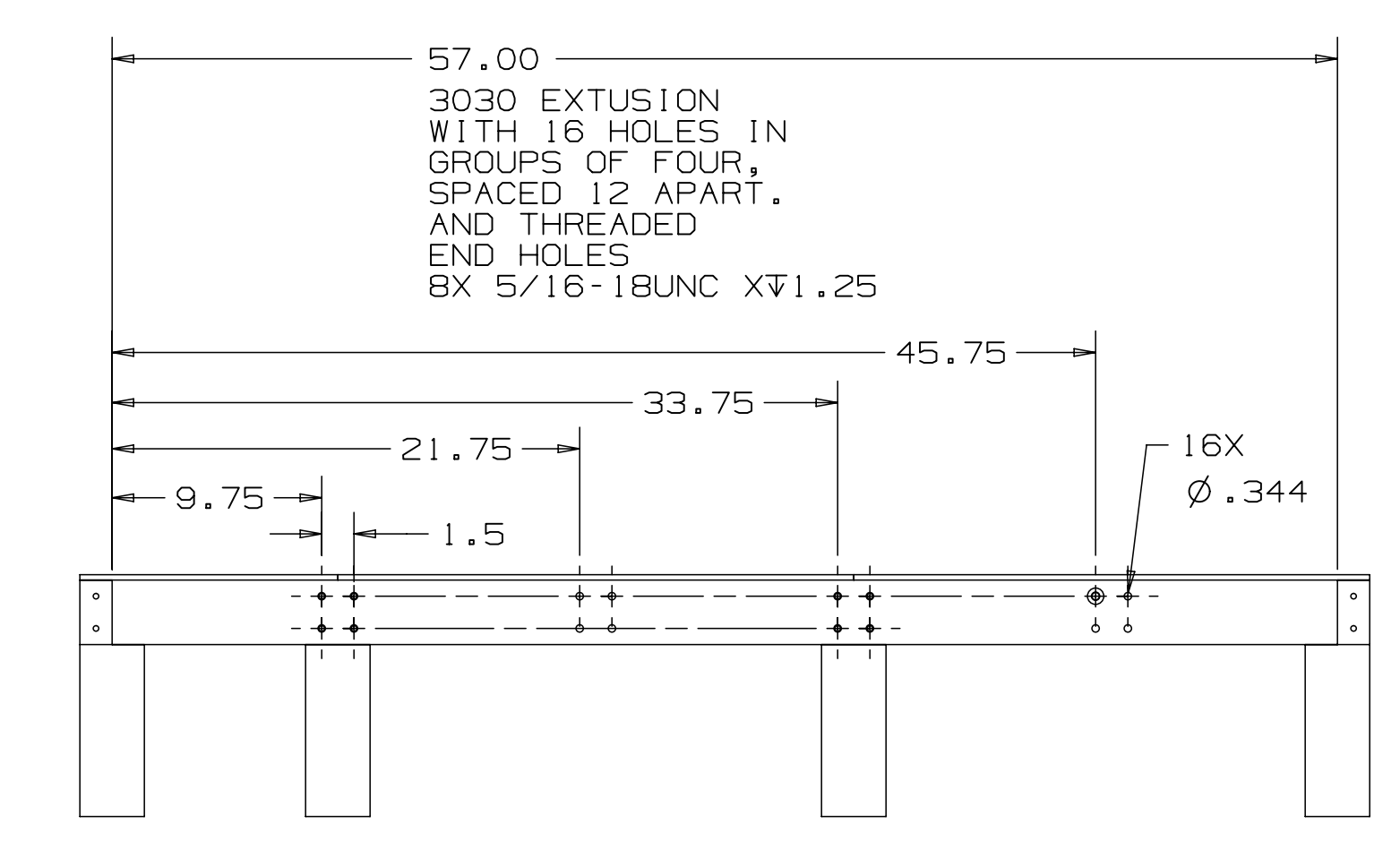
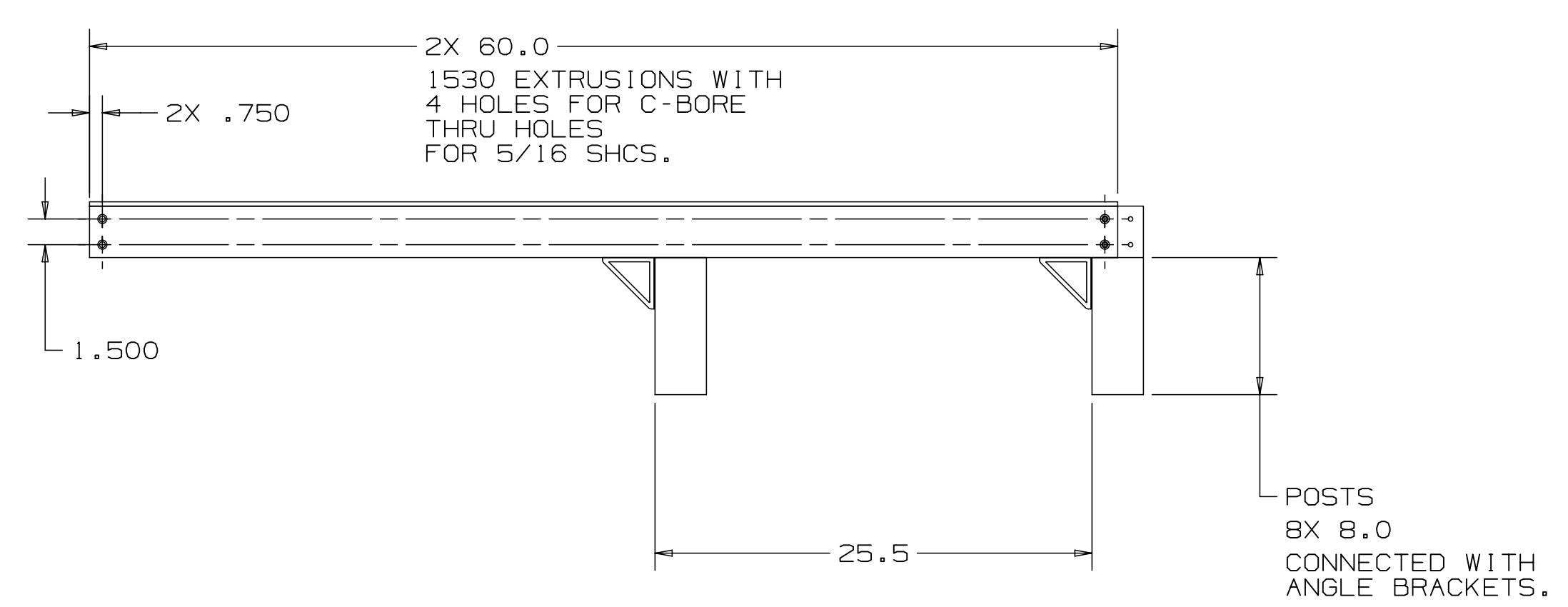
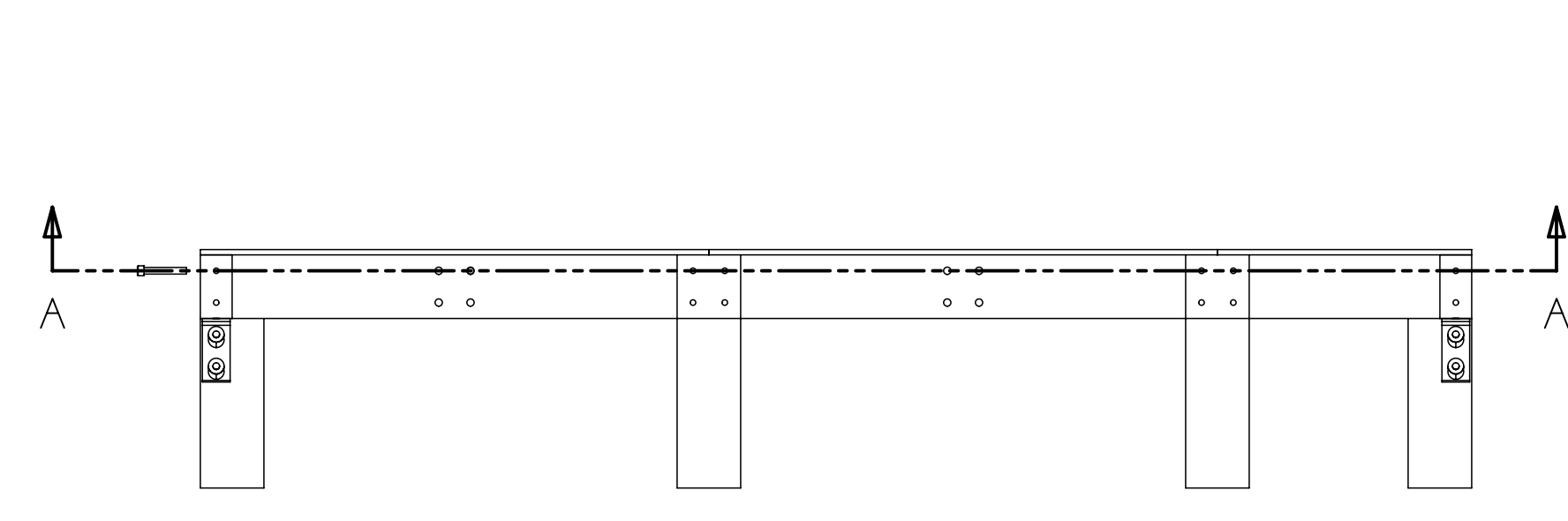
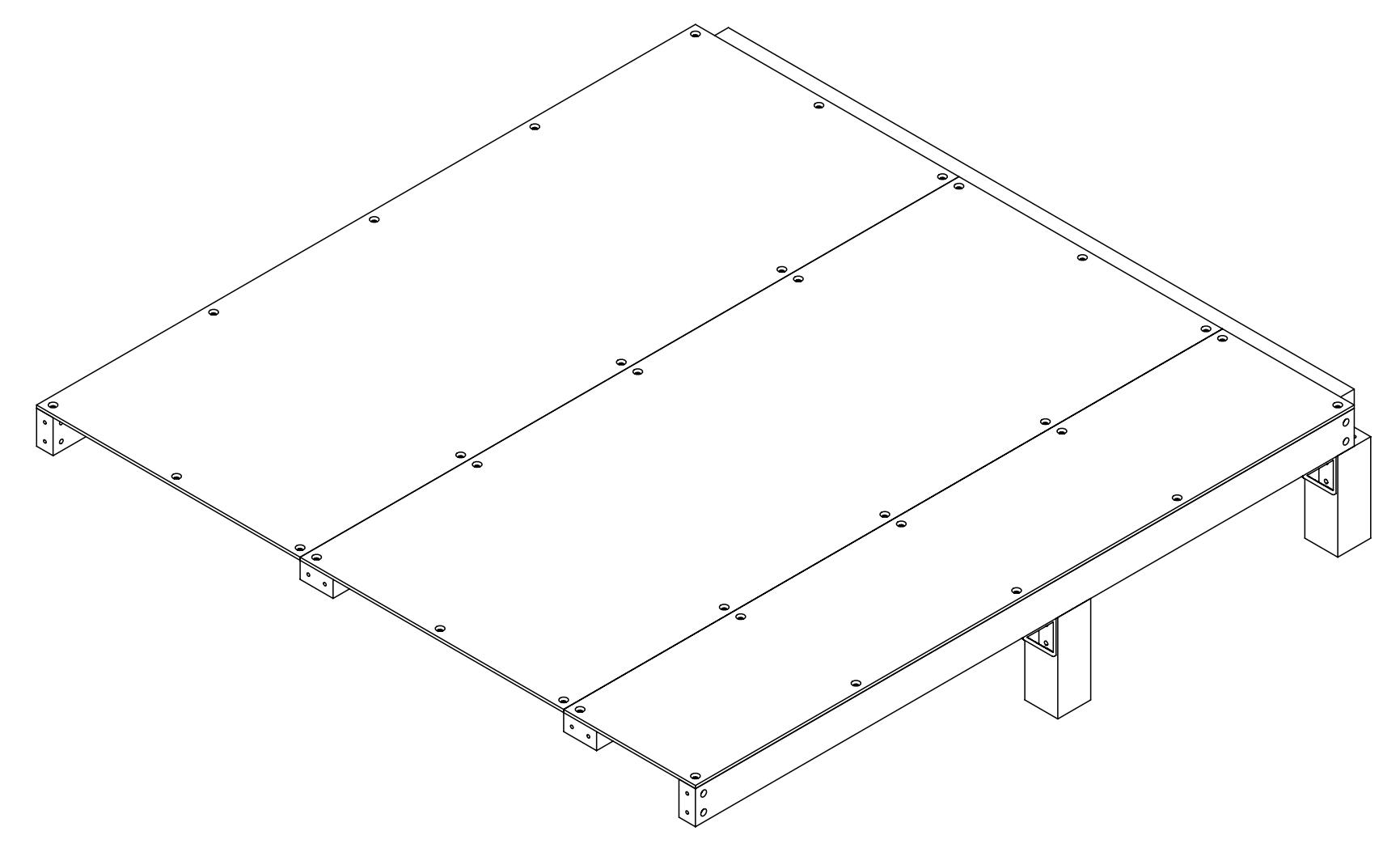
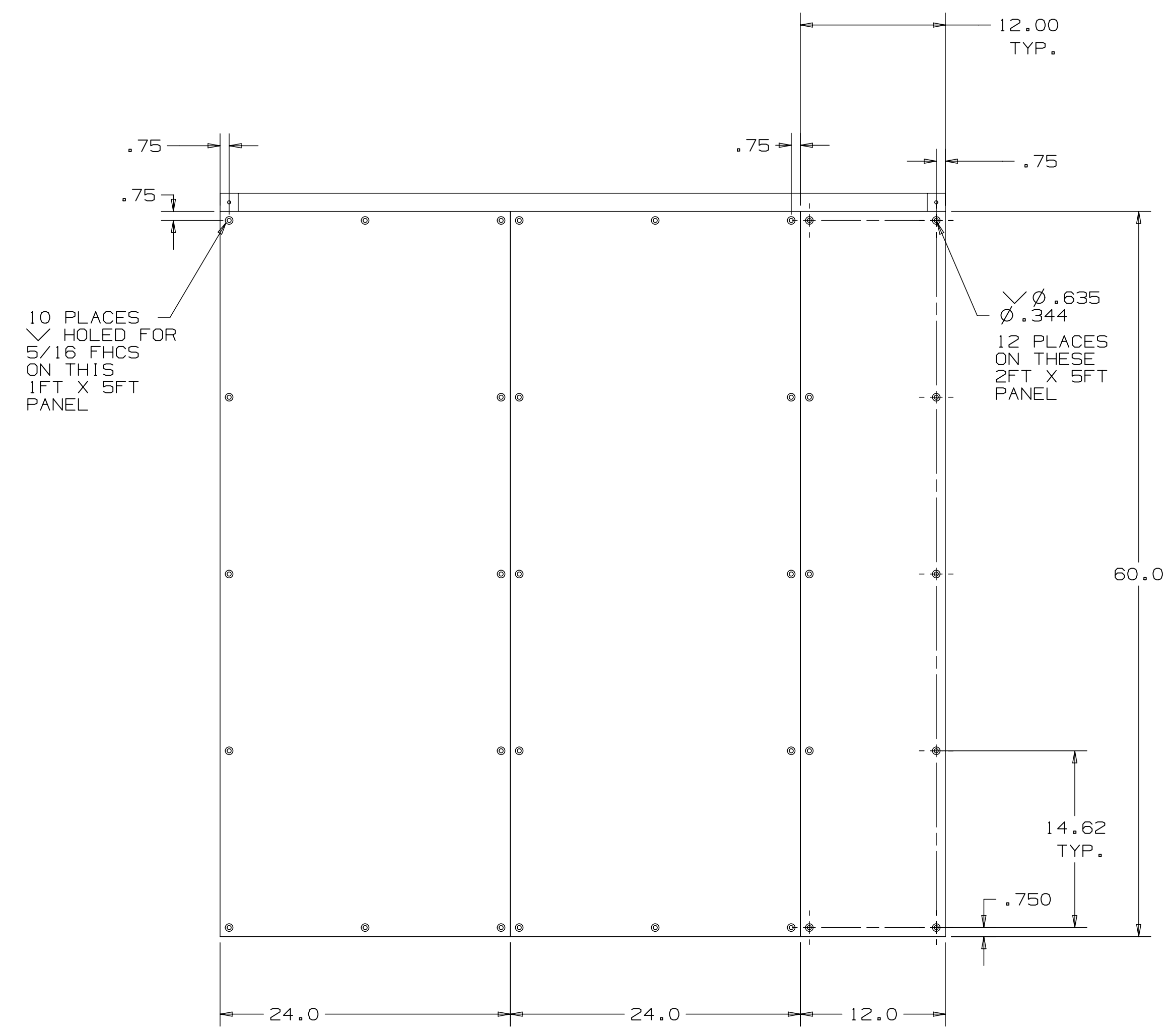
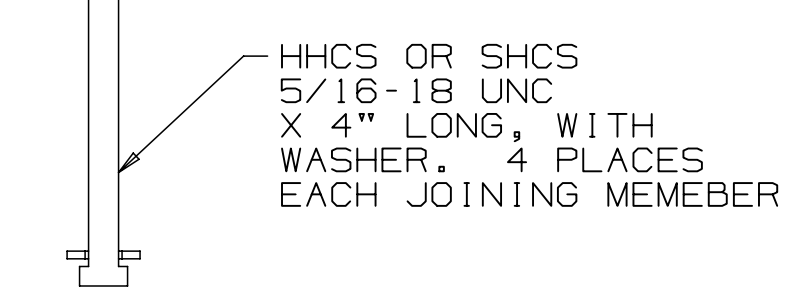


| REV | REVISION CONTROL DOCUMENT | DATES | SIGNATURES |
|-----|---------------------------|-------------|------------------|
| 1 | F10122829 - - RCD | 11-Apr-2019 | DRWN APPROVED |



DETAIL B
SCALE 1:2



| UNLESS OTHERWISE SPECIFIED | | DRWN | T.HAMERLA | DATE | 05-Jun-2019 |
|---|-------|------|-----------|------|-------------|
| 1:XX | 1:XXX | 1:XX | 1:XX | 1:XX | 1:XX |
| 1:XX | 1:XXX | 1:XX | 1:XX | 1:XX | 1:XX |
| 1:XX | 1:XXX | 1:XX | 1:XX | 1:XX | 1:XX |
| DO NOT SCALE DRAWING DIMENSIONS BASED ON ASME Y14.5-2009 MAX MACHINE ALL SURFACES 125/ DRAWING UNITS INCHES | | | | | |
| THIRD ANGLE PROJECTION | | | | | |
| MATERIAL: 6061-T6 ALUMINUM, UNS AN90061 | | | | | |
| GROUP: Accelerator/Mechanical/Support | | | | | |
| TASK: CODE: 0289 | | | | | |
| F10119592 | | | | | |
| F10122829 | | | | | |
| SIMPLE, HEFT RAISED FLOOR STRUCTURE, 5FT X 5FT | | | | | |
| SCALE: 1:8 | | | | | |
| SIZE: 11x17 | | | | | |
| SHEET: 1 of 1 | | | | | |
| REV: - | | | | | |