

PrM Insertion

2020-08-07

Jianming Bian

14m

~3 m

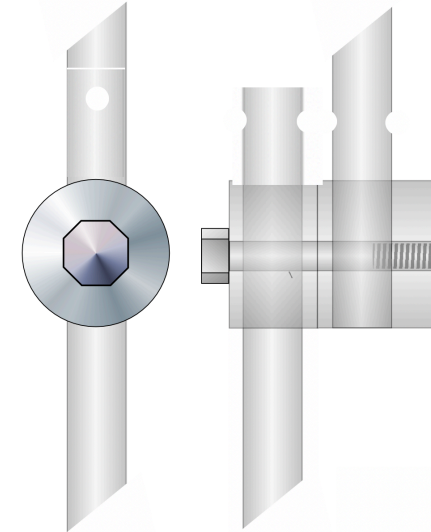
0.75" OD, thin wall, Hydraulically (Hydro) Formed Bellows for fibers



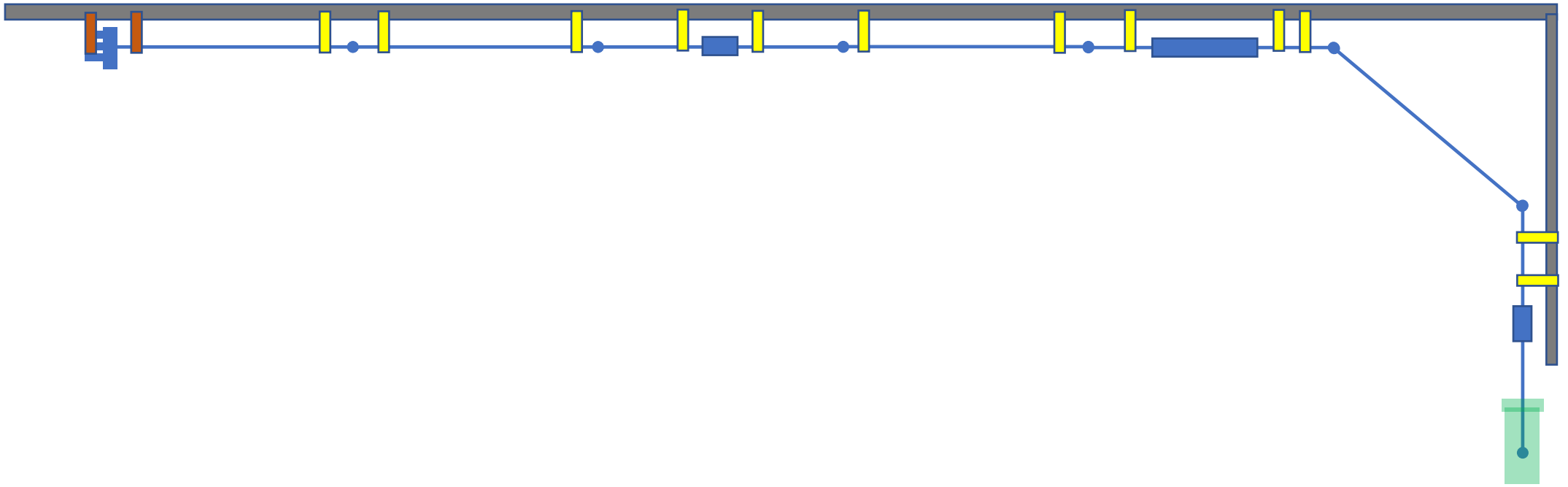
LAPD PrM installation (Alan Hahn)

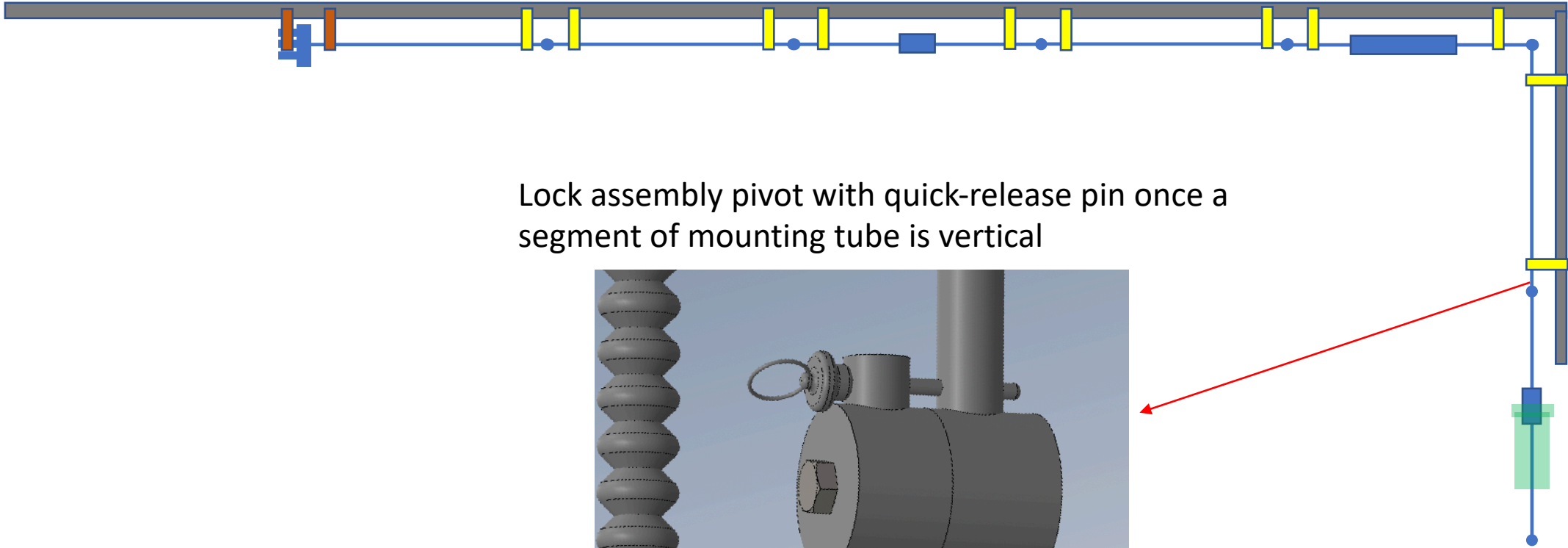
1" OD Mounting Tube

Assembly Pivot

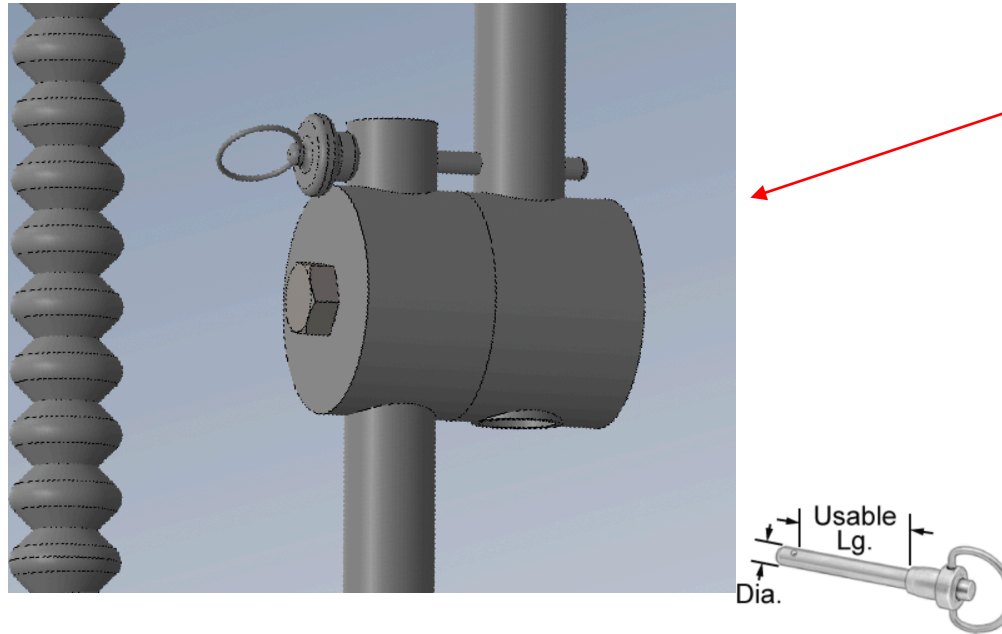


Modified from C. Kendziora's design



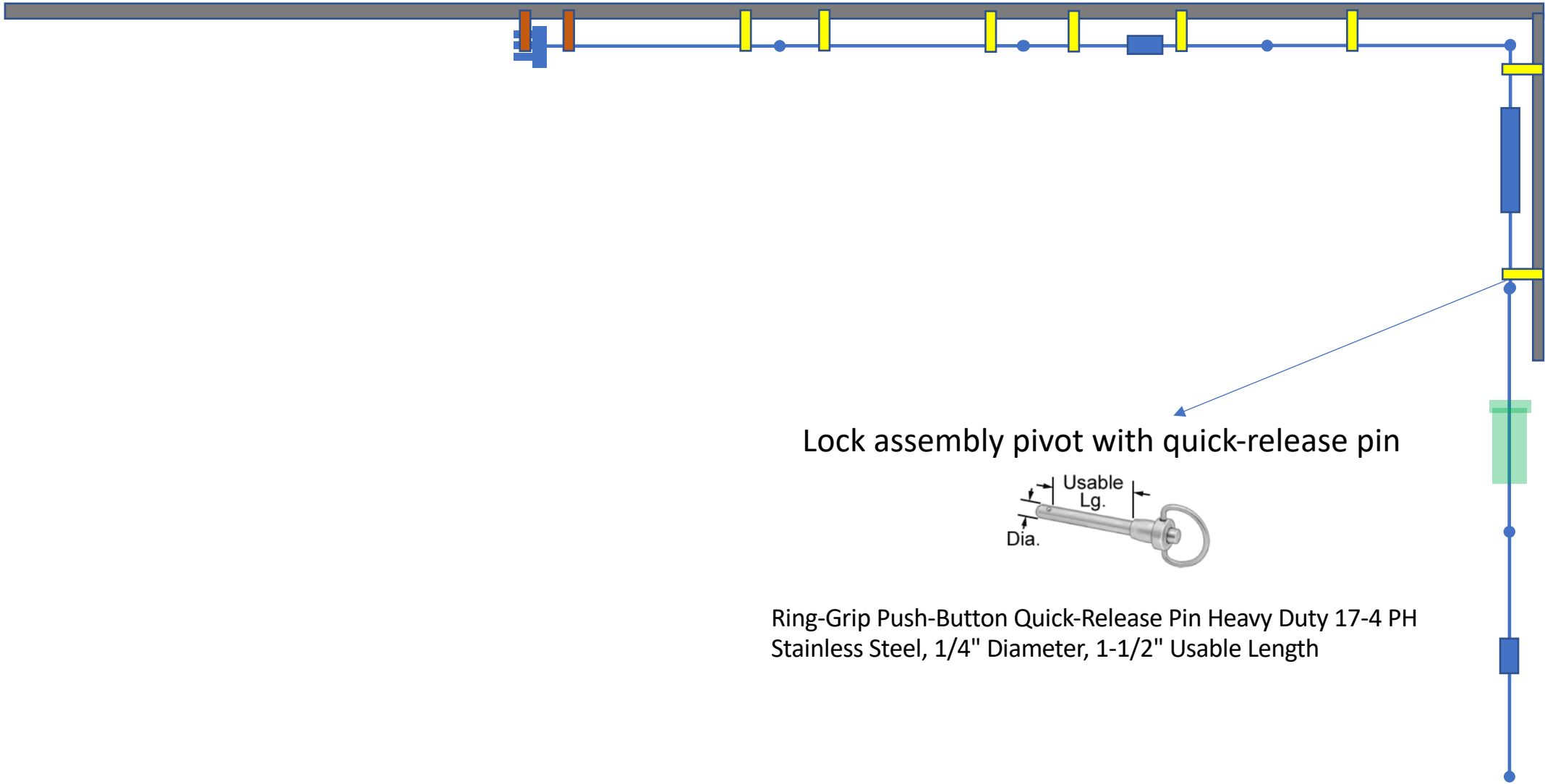


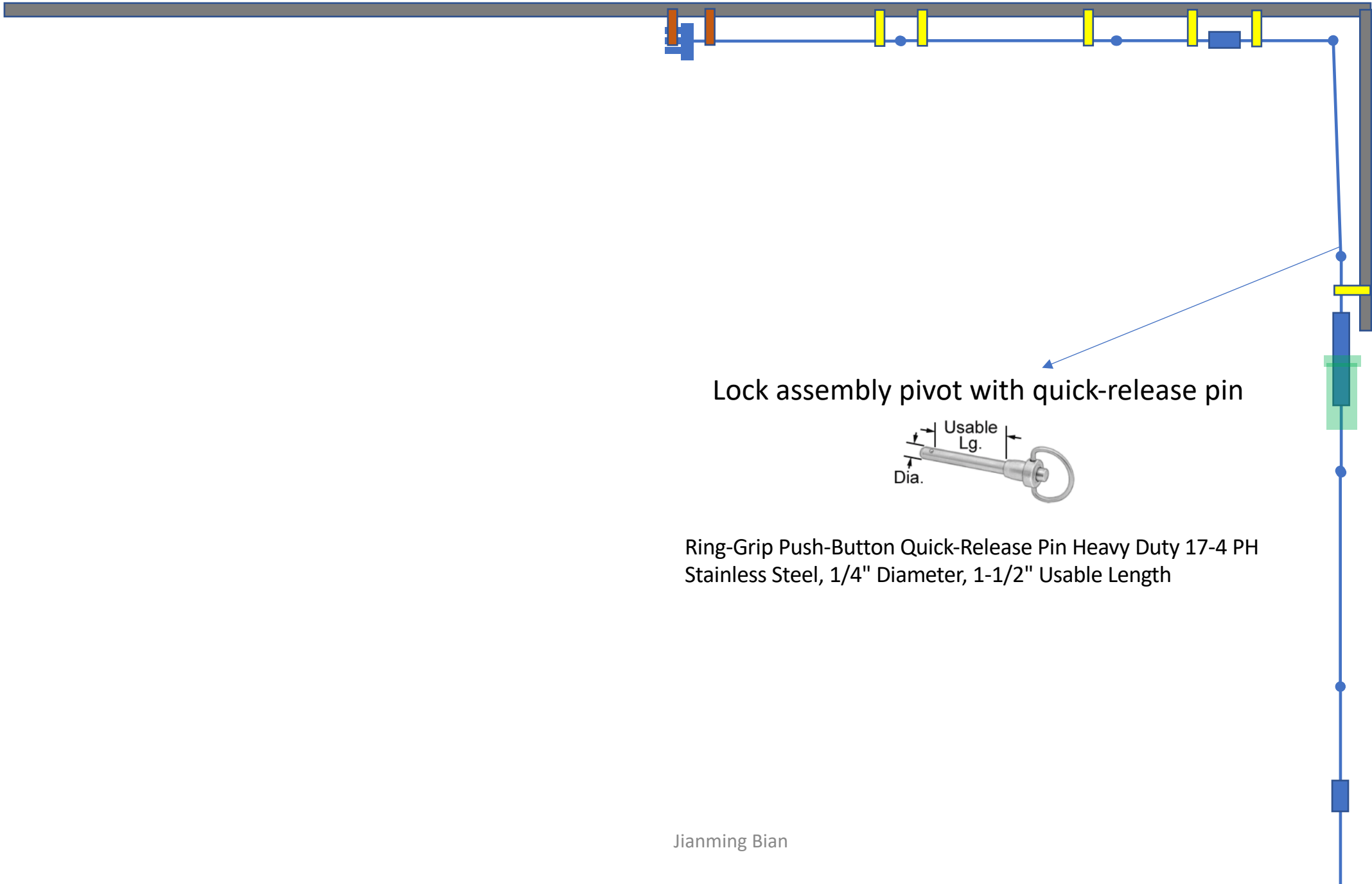
Lock assembly pivot with quick-release pin once a segment of mounting tube is vertical



Ring-Grip Push-Button Quick-Release Pin Heavy Duty 17-4 PH Stainless Steel, 1/4" Diameter, 1-1/2" Usable Length



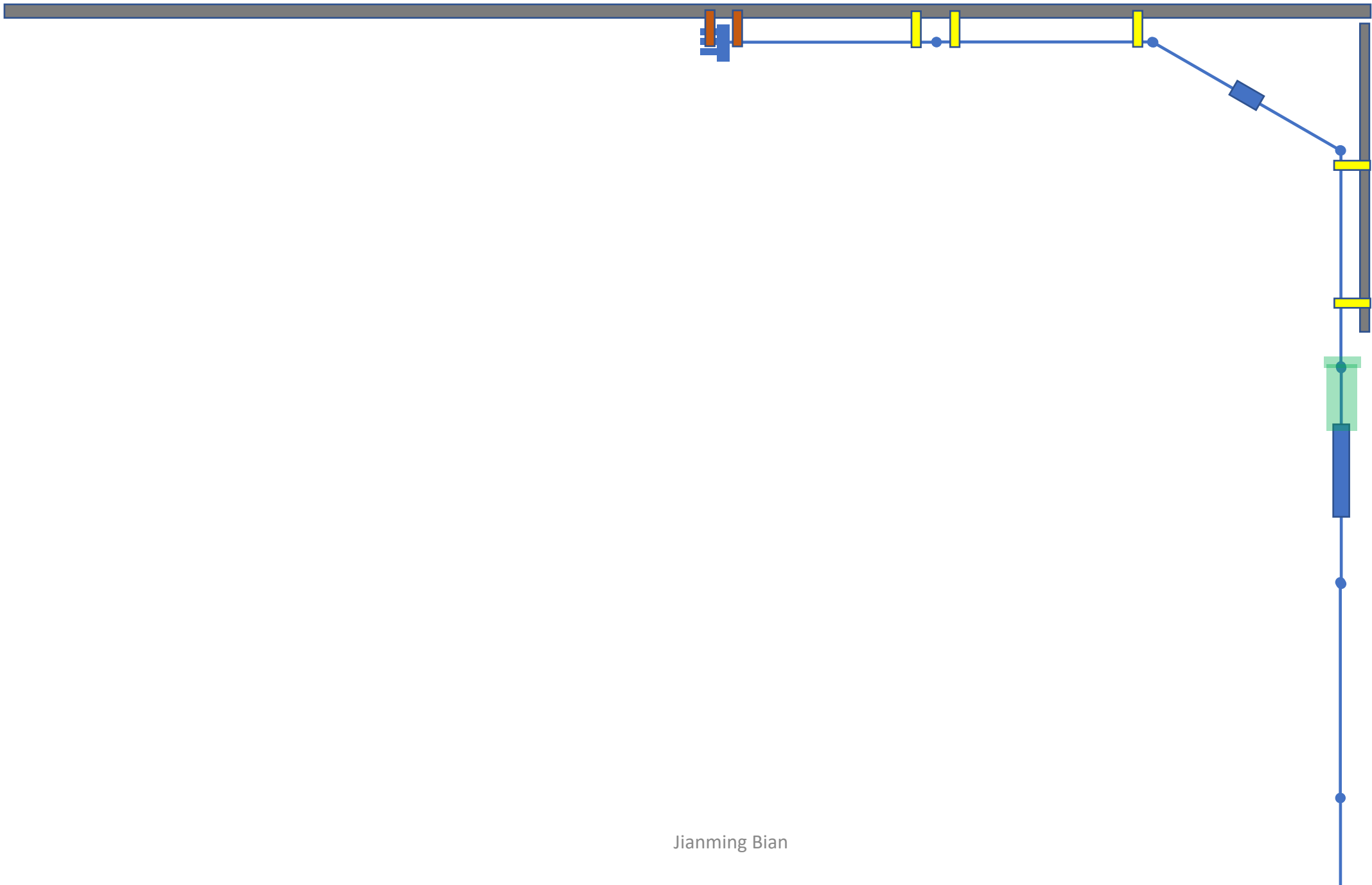


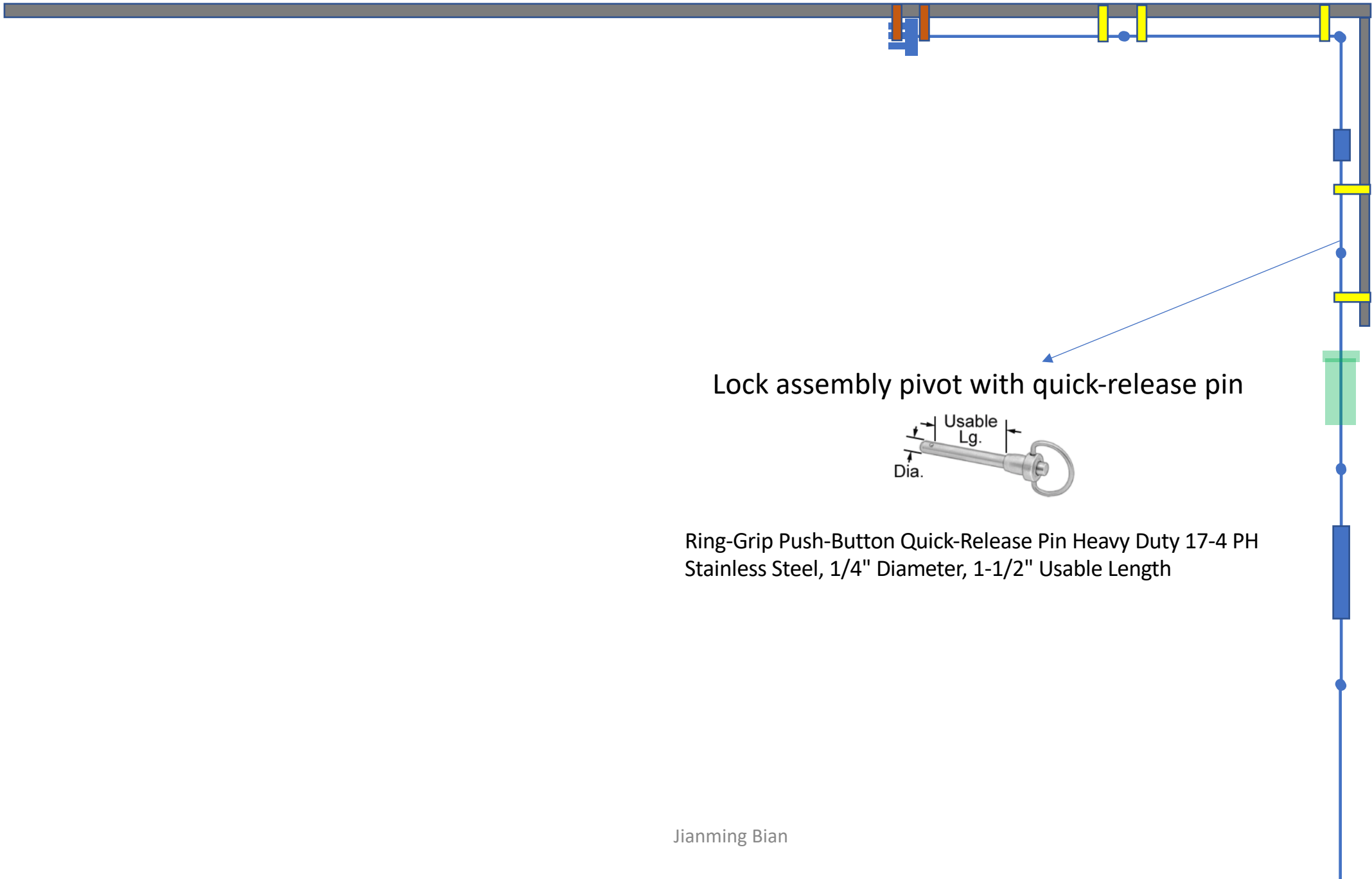


Lock assembly pivot with quick-release pin



Ring-Grip Push-Button Quick-Release Pin Heavy Duty 17-4 PH
Stainless Steel, 1/4" Diameter, 1-1/2" Usable Length

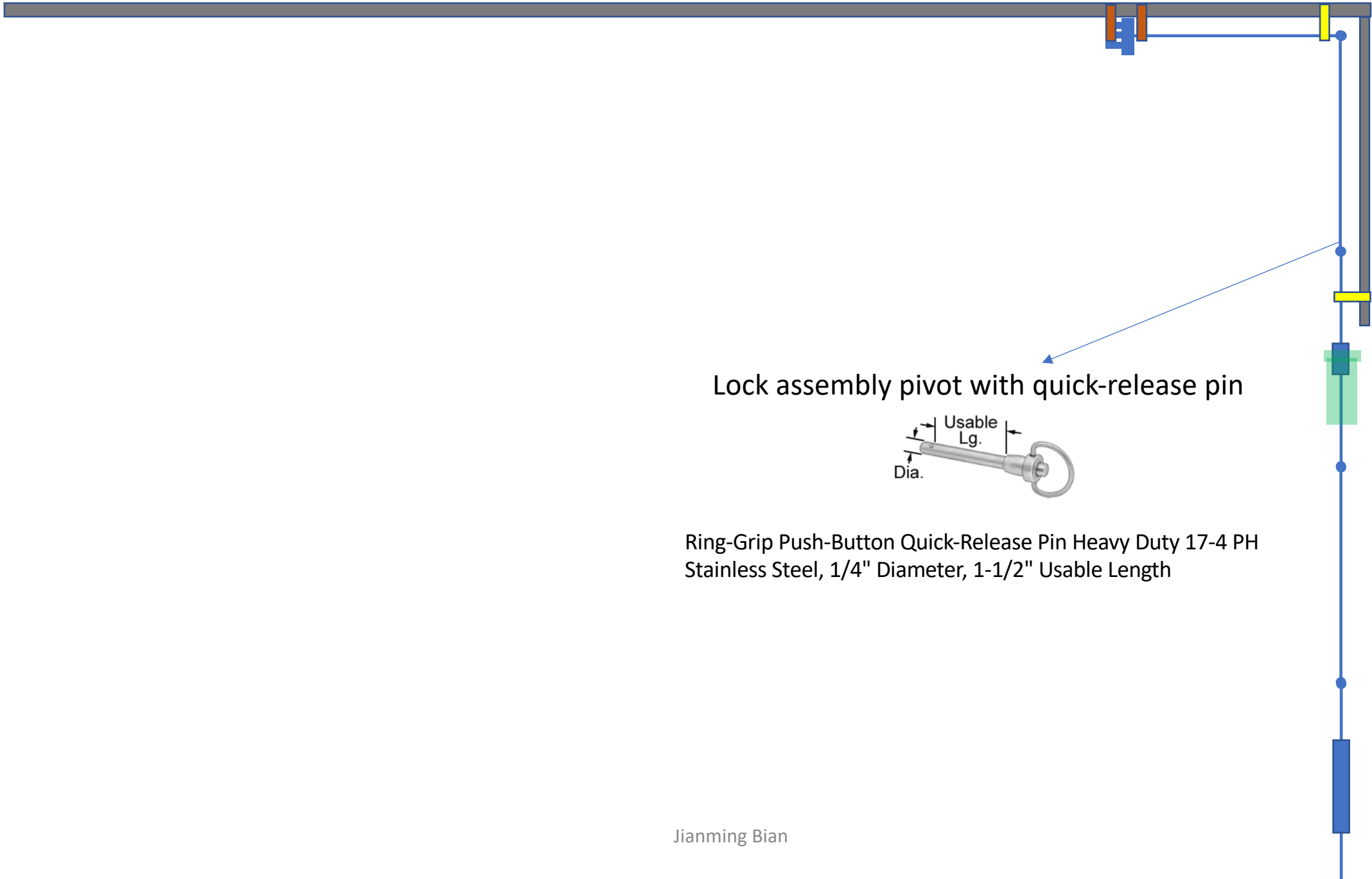




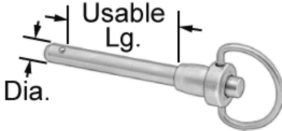
Lock assembly pivot with quick-release pin



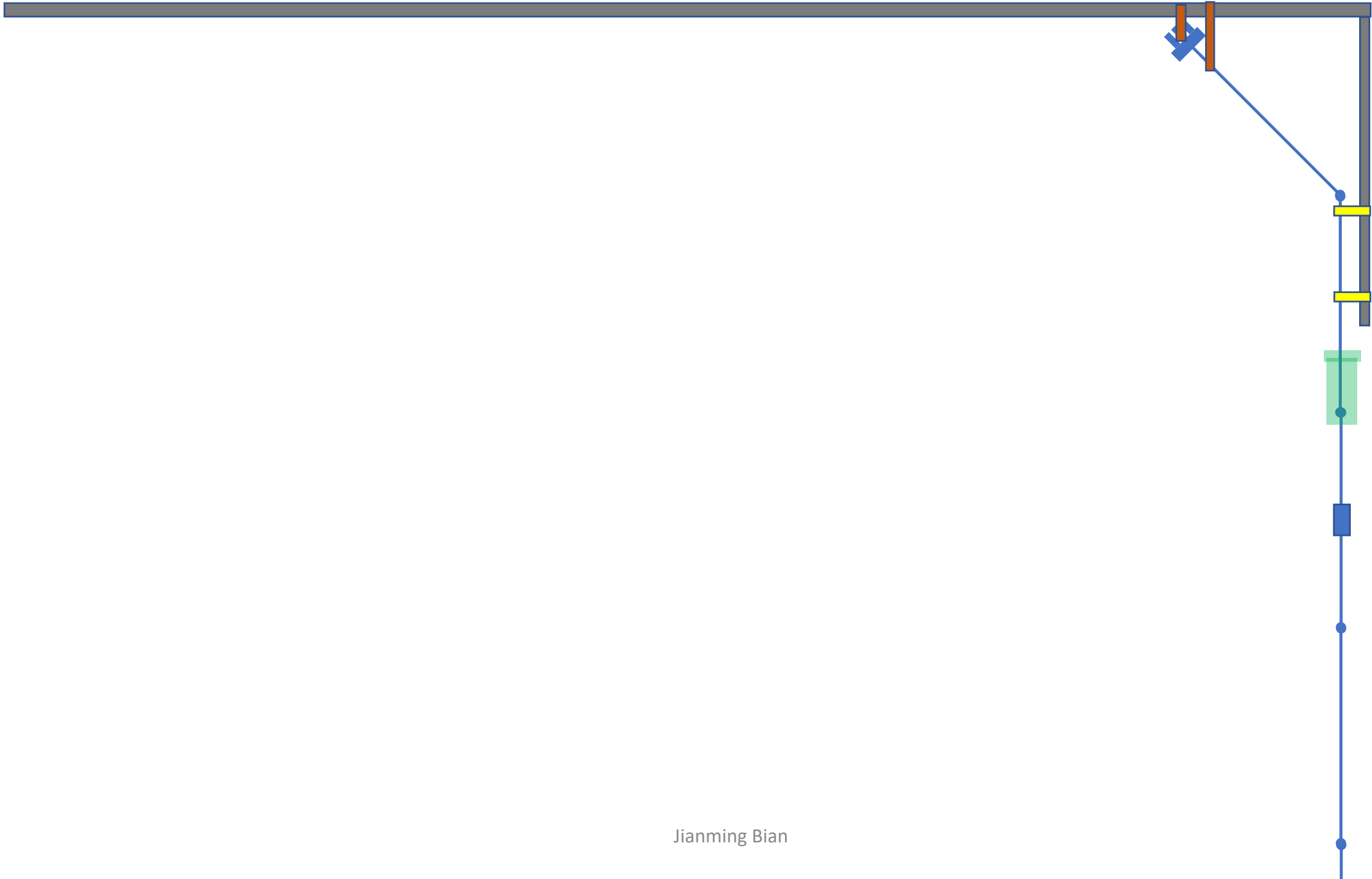
Ring-Grip Push-Button Quick-Release Pin Heavy Duty 17-4 PH
Stainless Steel, 1/4" Diameter, 1-1/2" Usable Length

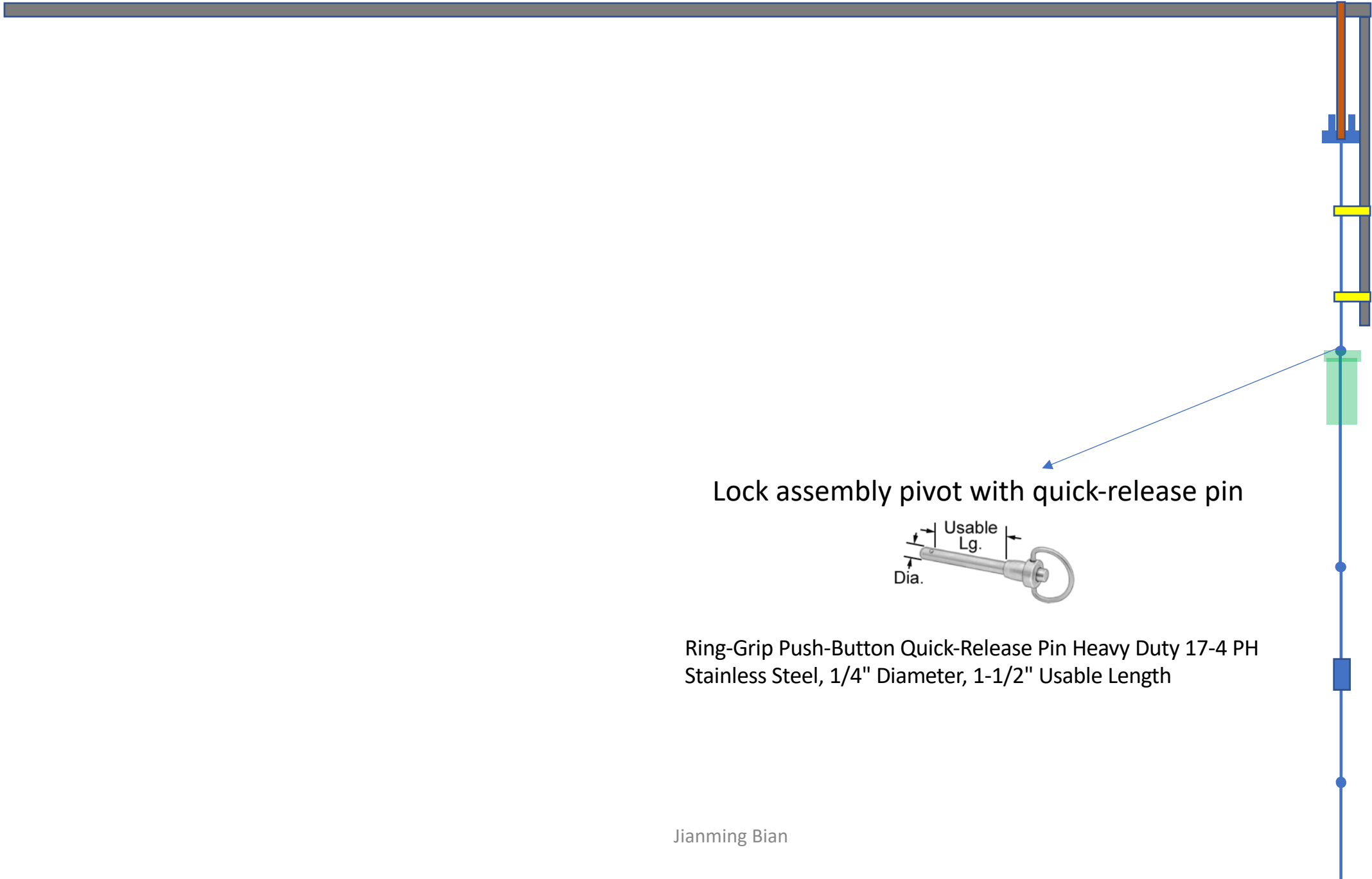


Lock assembly pivot with quick-release pin

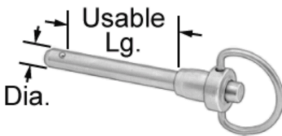


Ring-Grip Push-Button Quick-Release Pin Heavy Duty 17-4 PH
Stainless Steel, 1/4" Diameter, 1-1/2" Usable Length





Lock assembly pivot with quick-release pin



Ring-Grip Push-Button Quick-Release Pin Heavy Duty 17-4 PH
Stainless Steel, 1/4" Diameter, 1-1/2" Usable Length

