

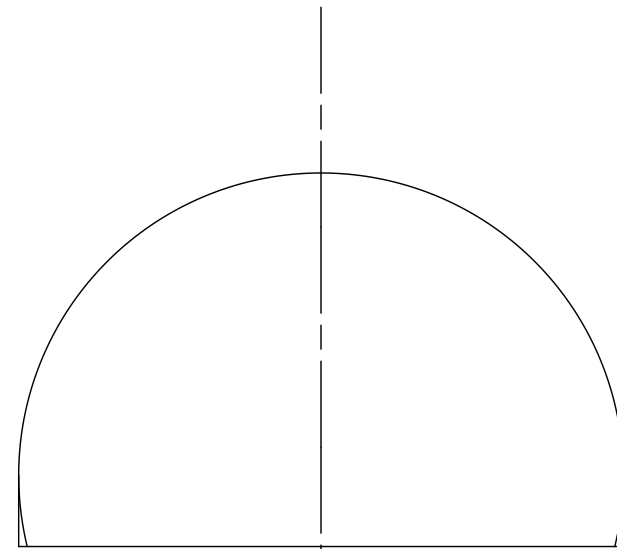
4

3

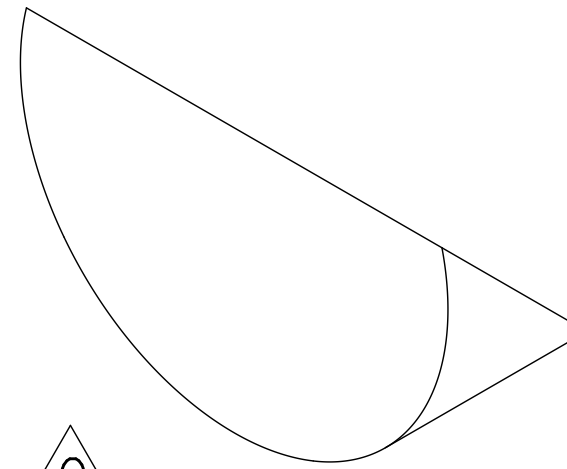
2

1

REV	DESCRIPTION	DRAWN	DATE
		APPROVED	DATE
A	DIM. "17.72" WAS "20.69" AND BOTH SIDE DIM. "2X 1.48" ADDED.	J. CATALANELLO	26-MAY-2010
		C.M. LEI	27-MAY-2010
B	NO CHANGES.	B. ELLISON	29-JUL-2010
		C.M. LEI	29-JUL-2010
C	DESIGN CHANGE; CHANGED DIM.: 8.86 WAS 17.72.	B. ELLISON	02-AUG-2010
		C.M. LEI	02-AUG-2010
D	DESIGN CHANGE D1; R6.299 WAS R8.86 D2; 7.78 WAS 8.86 D3; 7.78 WAS 10.34	S. KINDELBERGER	14-JUN-2011
		C.M. LEI	14-JUN-2011

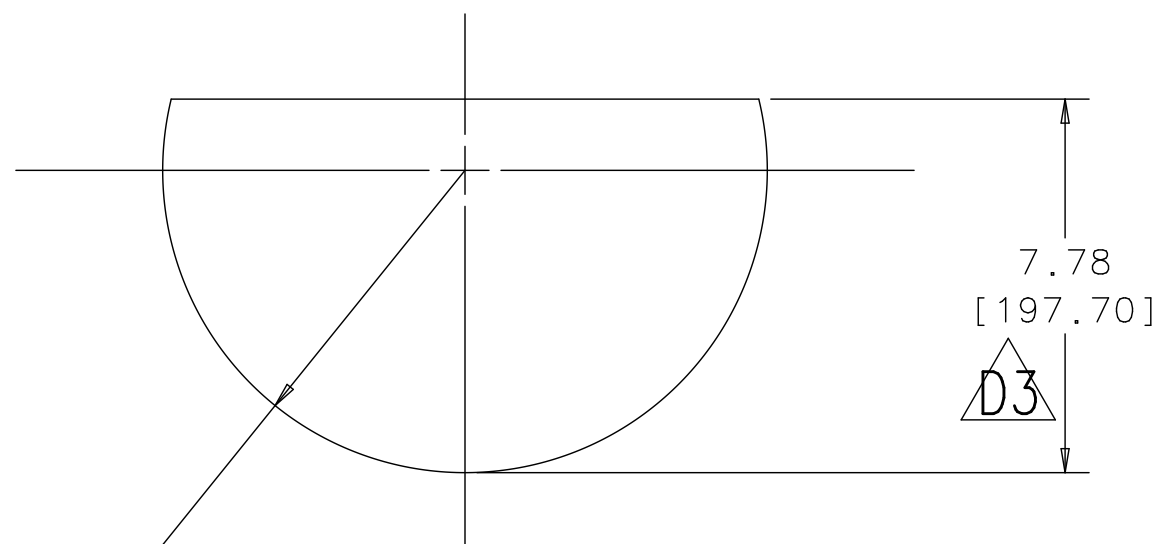


C

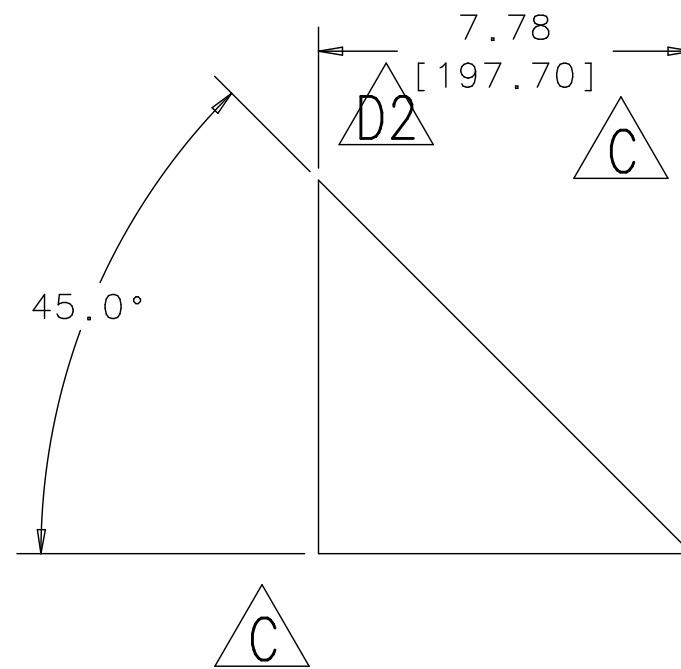


C

ISOMETRIC VIEW



D1

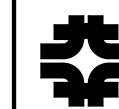


D2

C

C

UNLESS OTHERWISE SPECIFIED			ORIGINATOR	C.M. LEI	17-MAR-2010
.XX	.XXX	ANGLES	DRAWN	V. MAJDANSKI	17-MAR-2010
± .01	± ---	± 1°	CHECKED	J. RAUCH	19-MAR-2010
1. BREAK ALL SHARP EDGES .015 MAX. 2. DO NOT SCALE DRAWING. 3. DIMENSIONS BASED UPON ASME Y14.5M-1994 4. MAX. ALL MACH. SURFACES 125/√ 5. DRAWING UNITS: U.S. INCH			APPROVED	C.M. LEI	17-MAR-2010
			USED ON		
			MATERIAL	LITHIUM HYDRIDE	



FERMI NATIONAL ACCELERATOR LABORATORY
UNITED STATES DEPARTMENT OF ENERGY

MECH-DETECTOR SOLENOIDS
MUON IONIZATION COOL EXPERIMENT
LITHIUM HYDRIDE WEDGE ABSORBER

SCALE	DRAWING NUMBER	SHEET	REV
1:2	9213.000-MC-466790	1 OF 1	D
CREATED WITH : Ideas12NXSeries		GROUP: PPD/MECHANICAL DEPARTMENT	

3

2

1