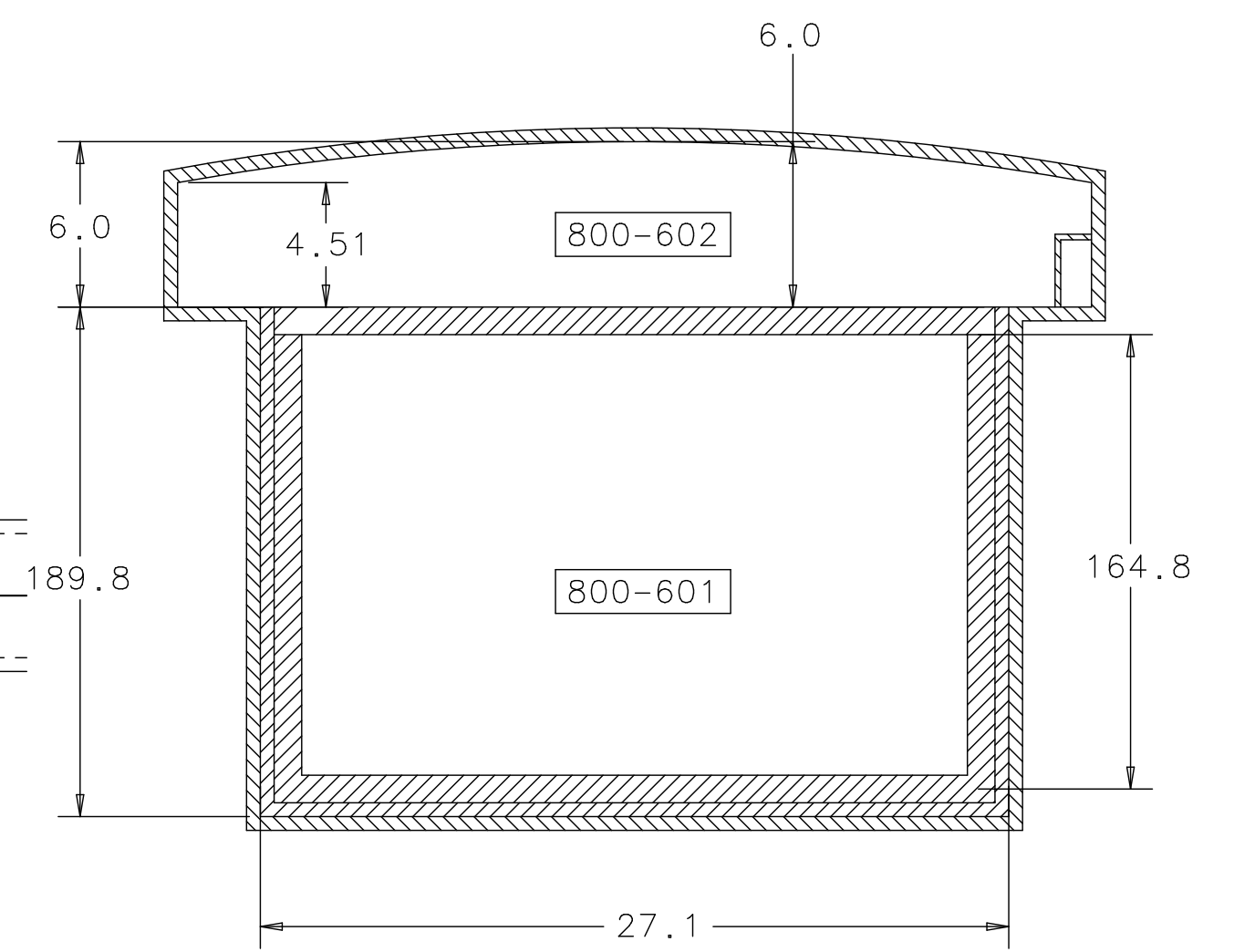
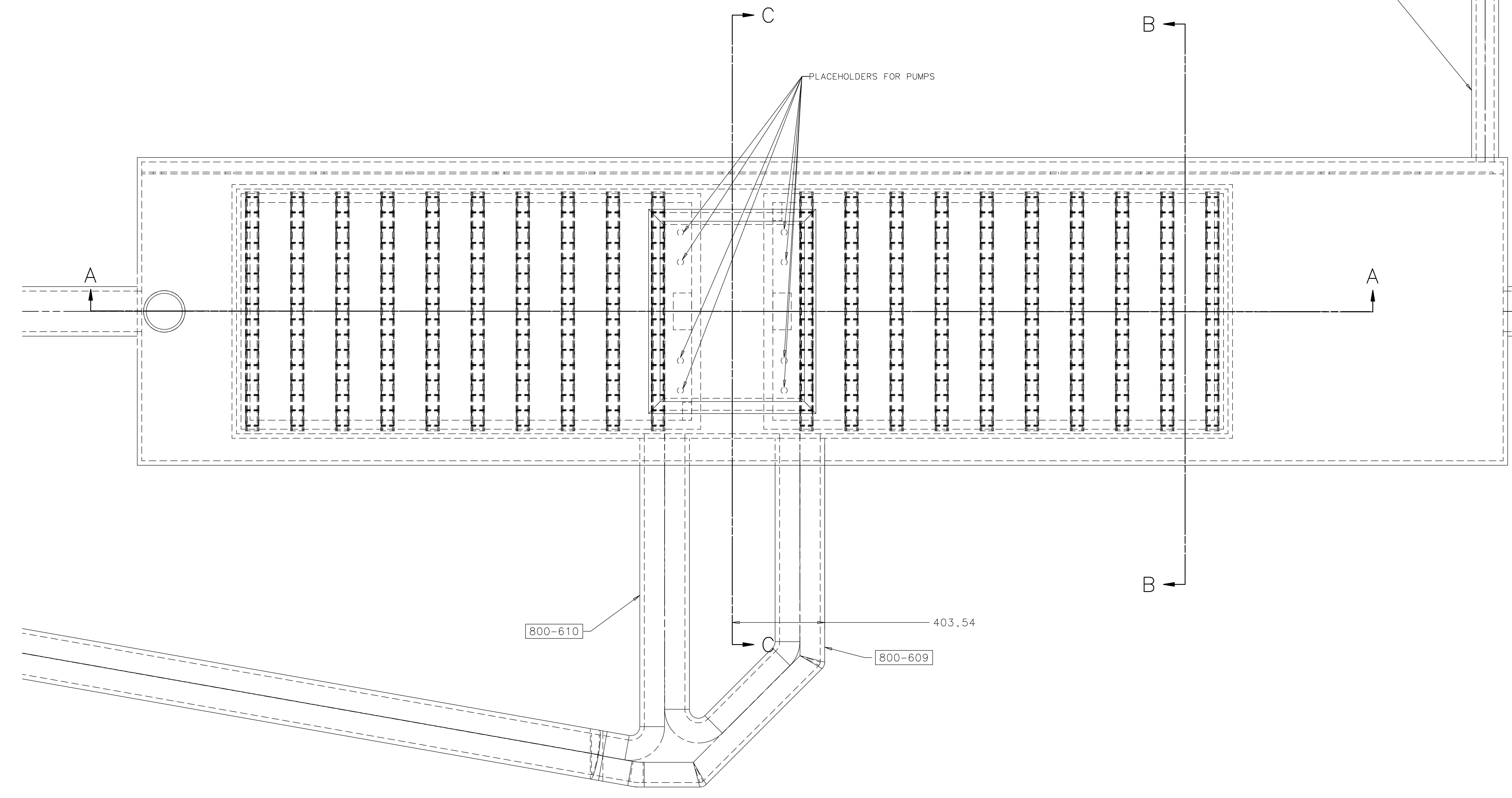
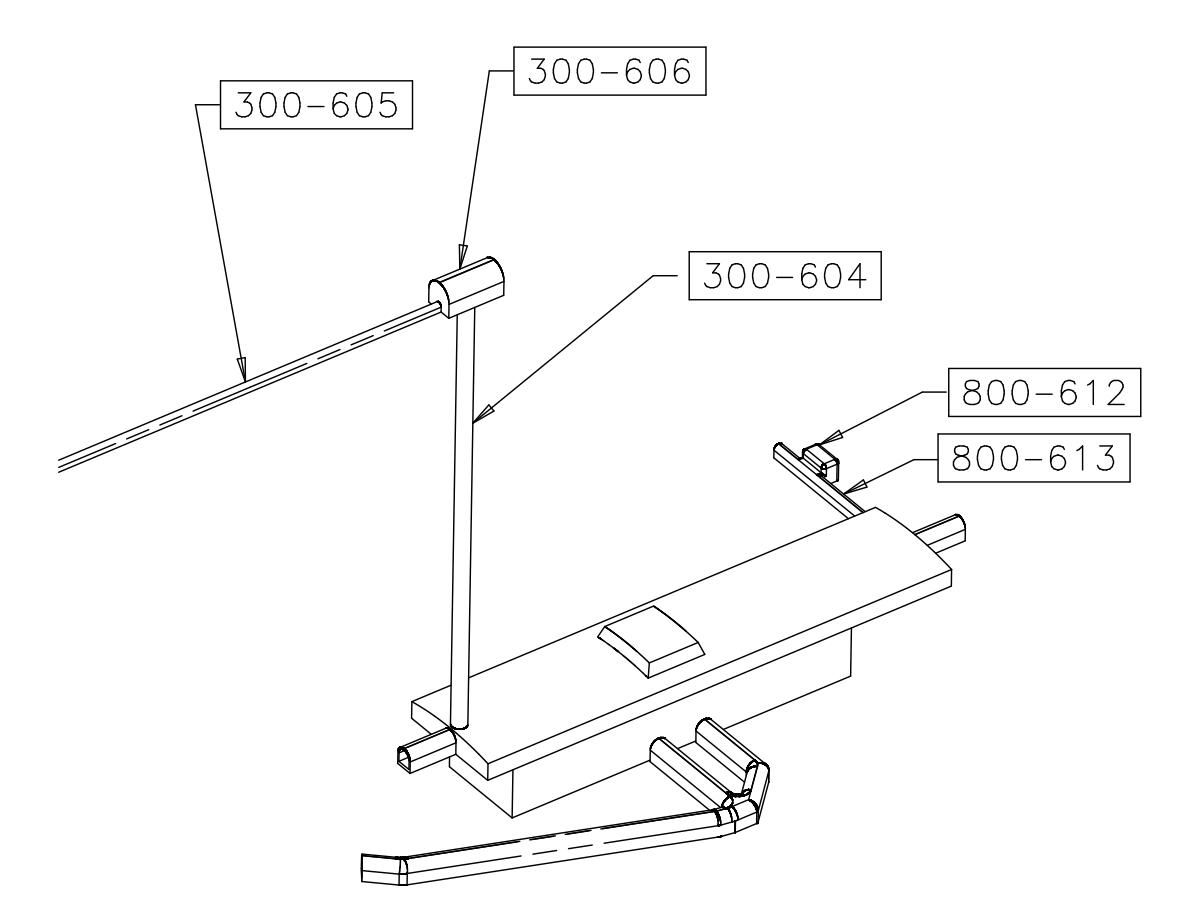
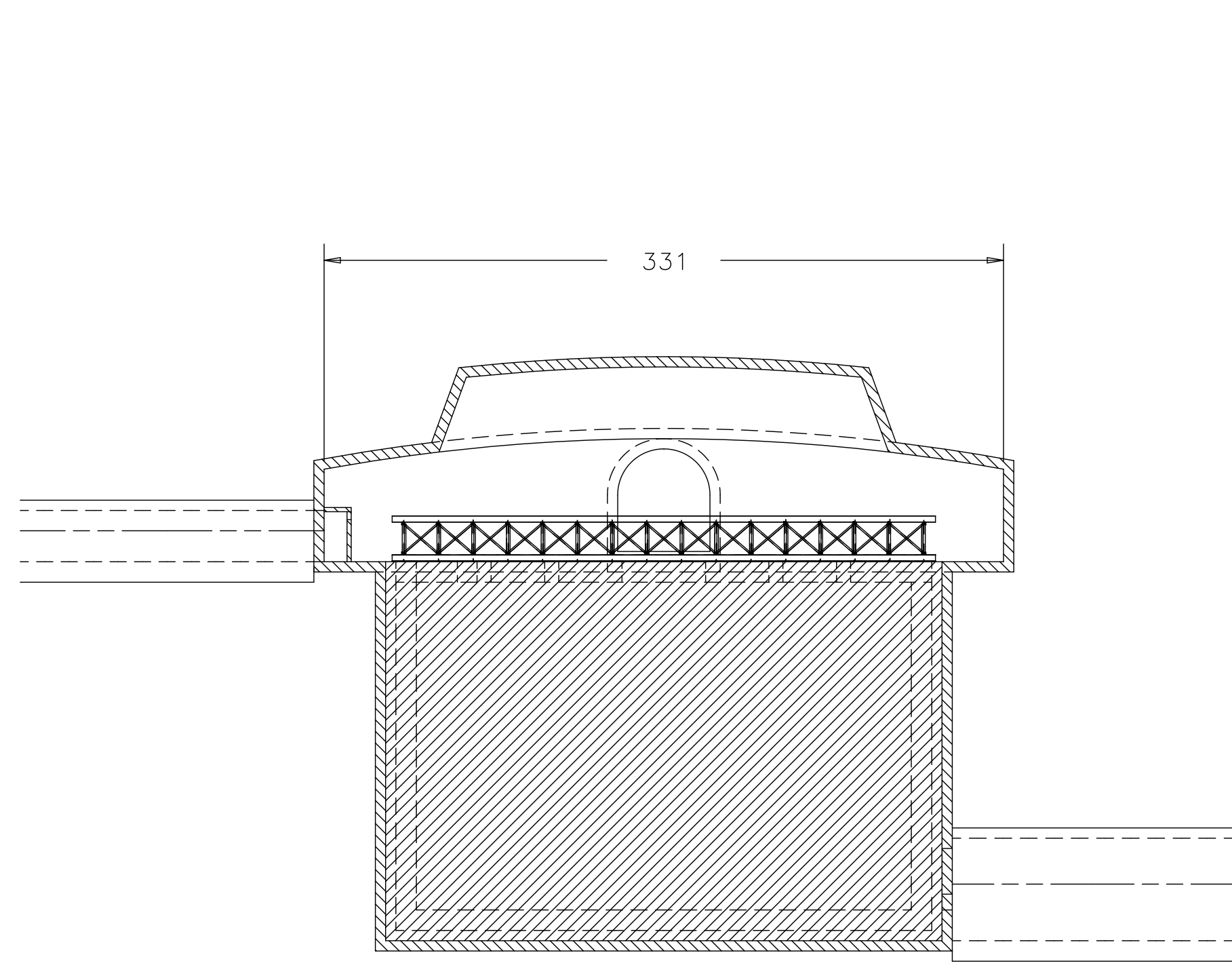


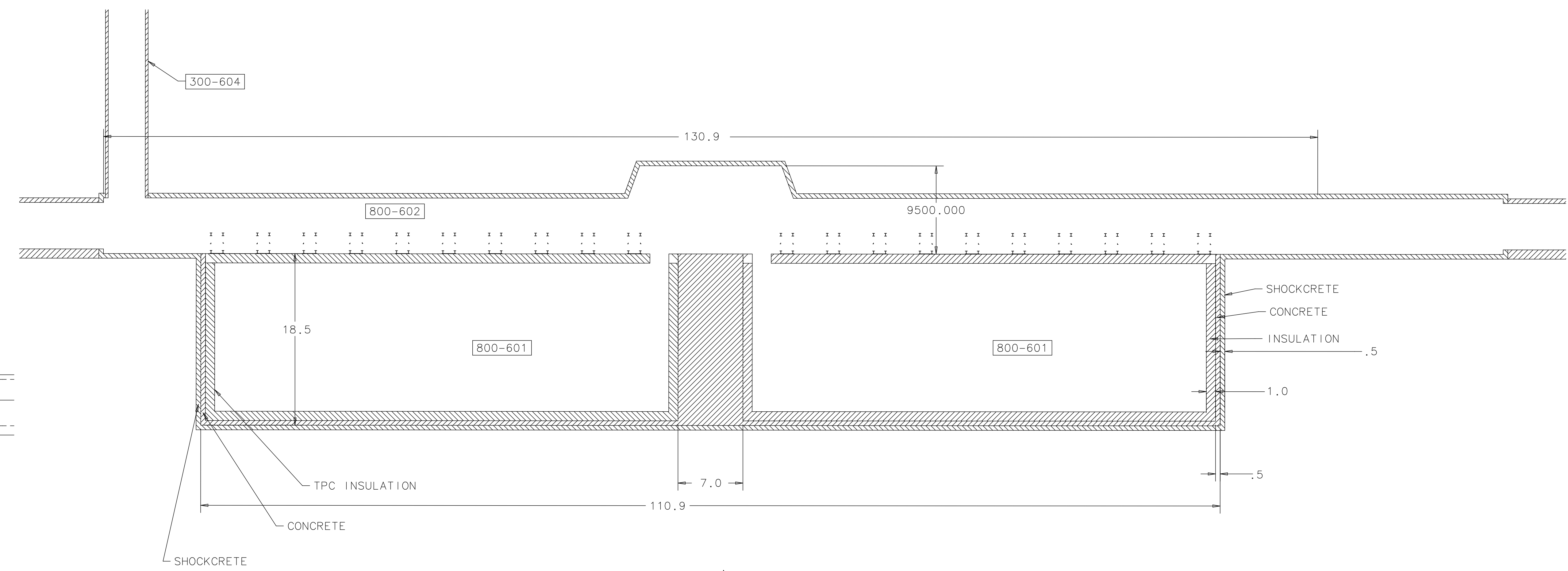
REV	DESCRIPTION	DRAWN	DATE
1		R. RUCINSKI	16-MAY-2011
		S. HENTSCHEL	16-MAY-2011



SECTION B



SECTION C



SECTION A

UNLESS OTHERWISE SPECIFIED	ORIGINATOR	R. RUCINSKI	16-MAY-2011
±	DRAWN	S. HENTSCHEL	16-MAY-2011
±	CHECKED		
±	APPROVED		
1. BREAK ALL SHARP EDGES	USED ON		
2. DO NOT SCALE DRAWING			
3. DIMENSIONS BASED UPON			
4. MAX. ALL MACH. SURFACES	MATERIAL	SEE PARTS LIST ABOVE	
5. DRAWING UNITS:			

**FERMI NATIONAL ACCELERATOR LABORATORY**  
 UNITED STATES DEPARTMENT OF ENERGY

MECHANICAL/ENG. DESIGN LAYOUTS  
 ENGINEERING LAYOUT  
 33 KTON CAVERN 4850

SCALE	DRAWING NUMBER	SHEET	REV
NA	9219.000-ME-	1 OF 1	
CREATED WITH :	Ideas12NXSeries	GROUP:	PPD/MECHANICAL DEPARTMENT