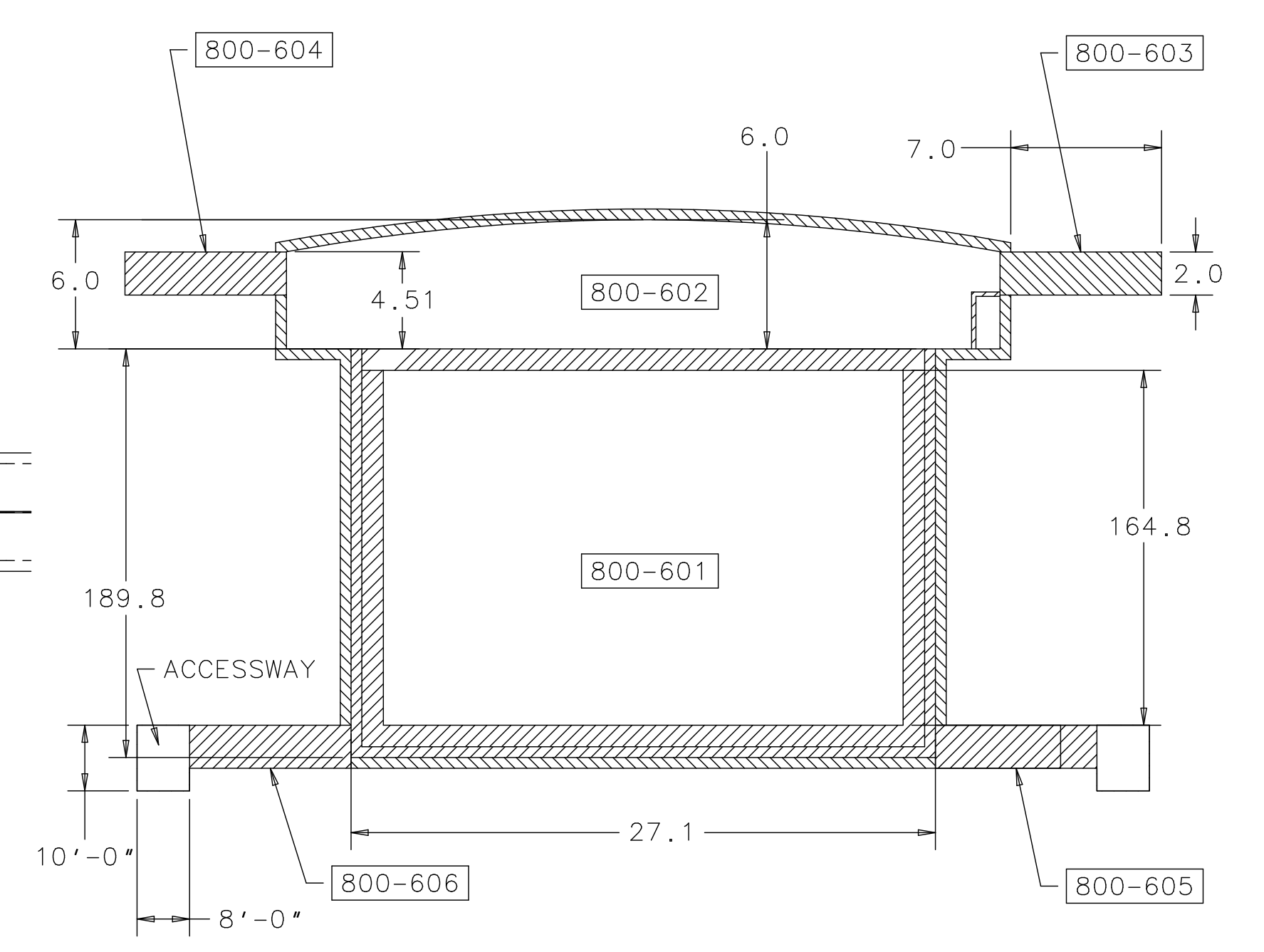
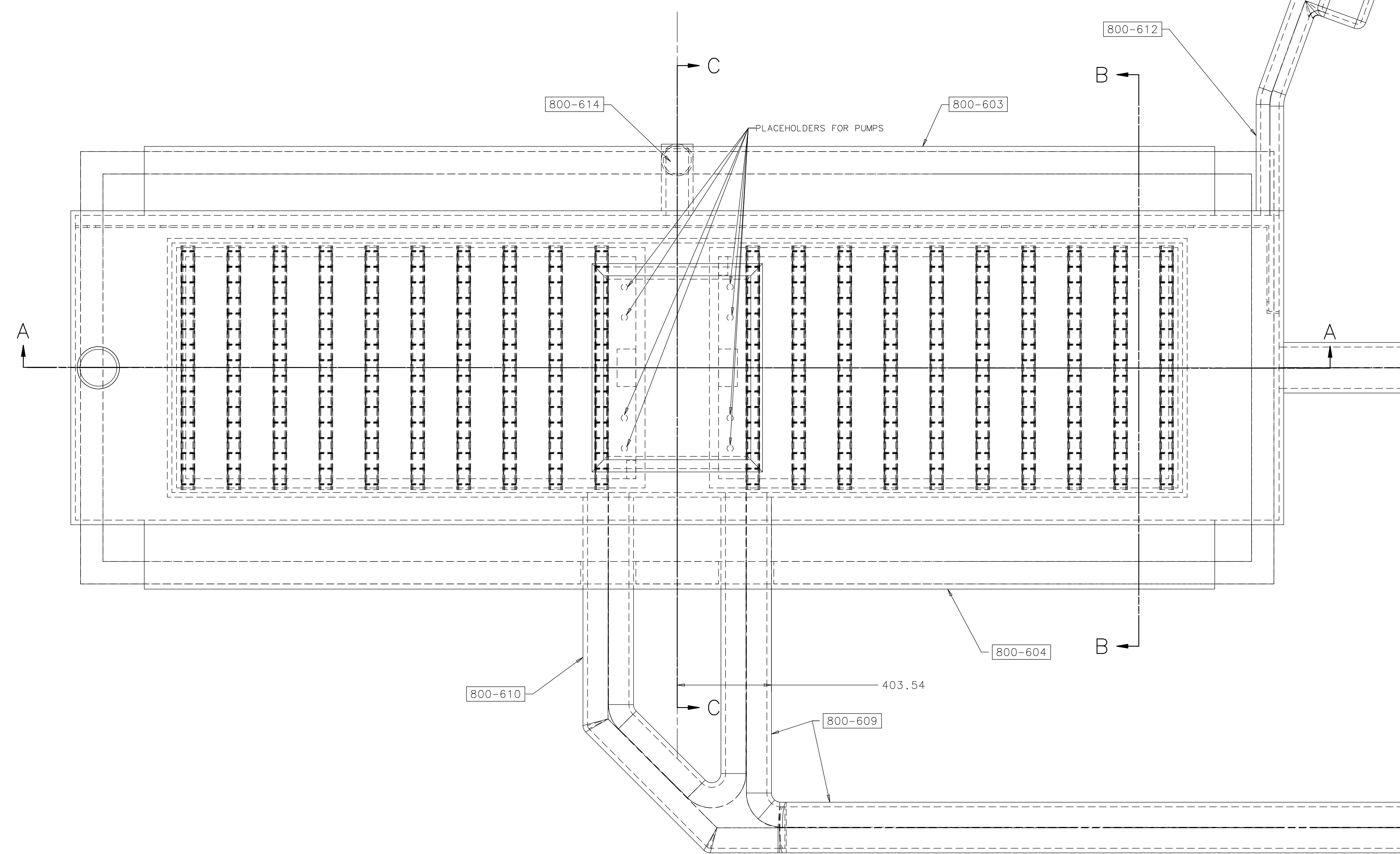
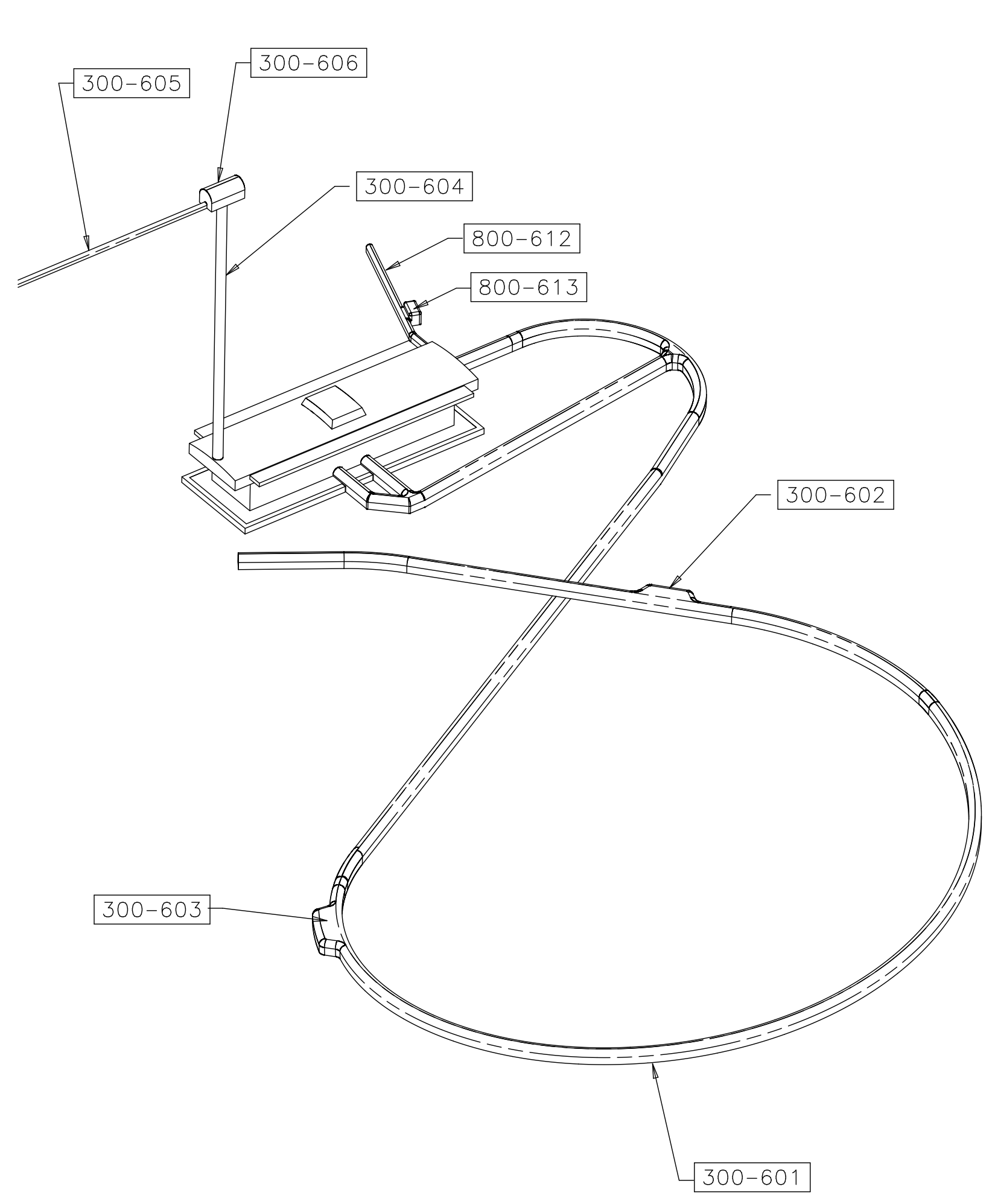
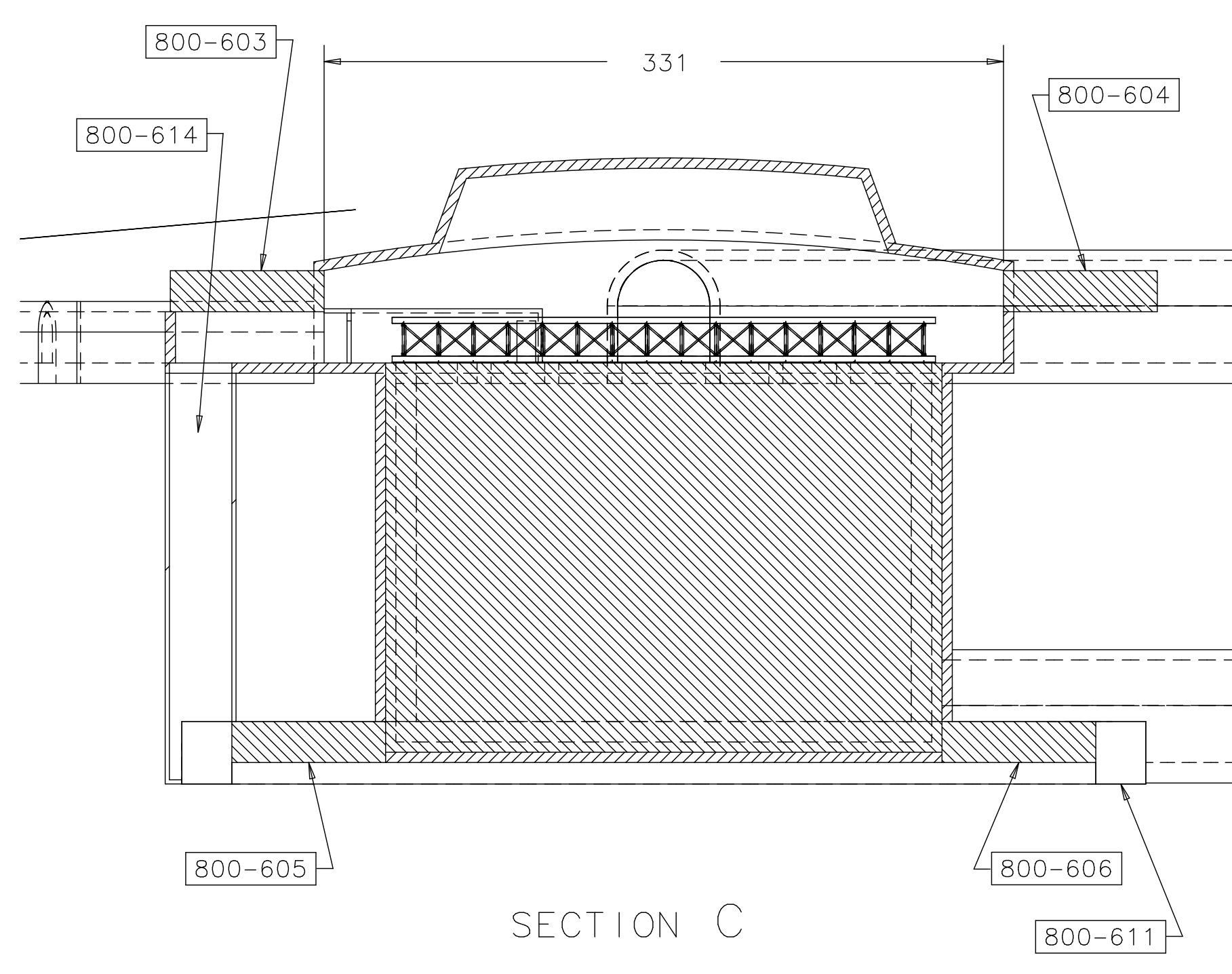


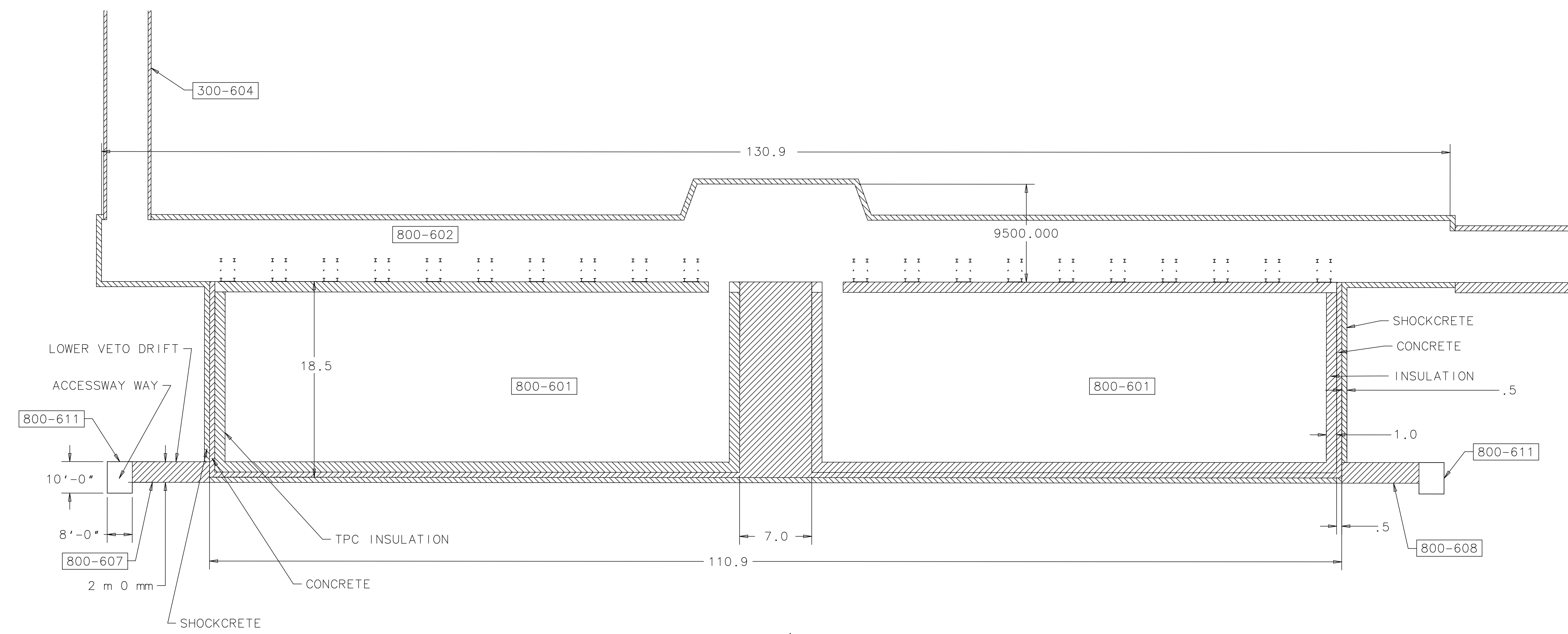
REV	DESCRIPTION	DRAWN	DATE
1		R. RUCINSKI	16-MAY-2011
		S. HENTSCHEL	16-MAY-2011



SECTION B



SECTION C



SECTION A

UNLESS OTHERWISE SPECIFIED		ORIGINATOR	R. RUCINSKI	16-MAY-2011
±	±	DRAWN	S. HENTSCHEL	16-MAY-2011
1. BREAK ALL SHARP EDGES	MAX.	CHECKED		
2. DO NOT SCALE DRAWING.		APPROVED		
3. DIMENSIONS BASED UPON		USED ON		
4. MAX. ALL MACH. SURFACES		MATERIAL	SEE PARTS LIST ABOVE	
5. DRAWING UNITS:				

FERMI NATIONAL ACCELERATOR LABORATORY
 UNITED STATES DEPARTMENT OF ENERGY
MECHANICAL/ENG. DESIGN LAYOUTS
ENGINEERING LAYOUT
33 KTON CAVERN

SCALE	DRAWING NUMBER	SHEET	REV
NA	9219.000-ME-	1 OF 1	

CREATED WITH: Ideas12NXSeries GROUP: PPD/MECHANICAL DEPARTMENT