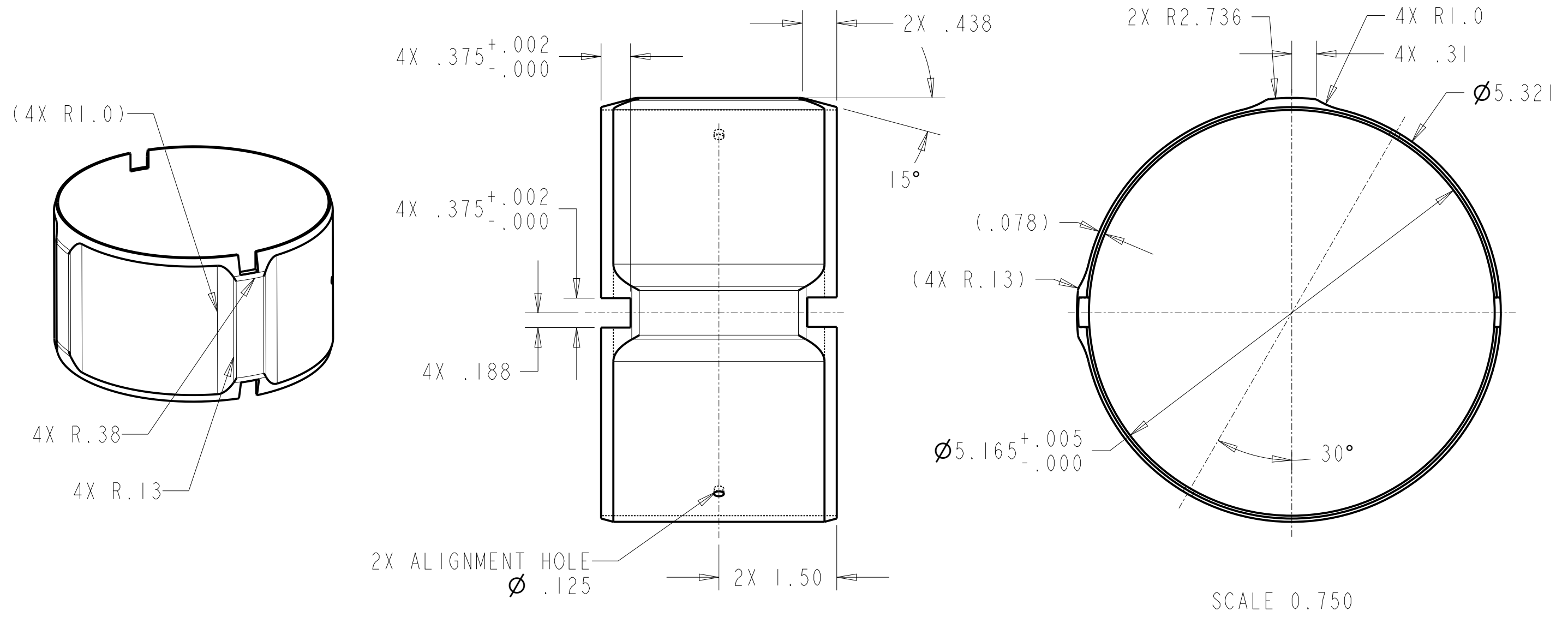


NOTES:
 1. MAKE FROM ULTEM 2300.

ITEM NO.	QTY	DESCRIPTION	MATERIAL, DWG. NO. OR PART NO.	REV
----------	-----	-------------	--------------------------------	-----



INTERPRET IN GENERAL ACCORDANCE WITH ASME Y14.24		SUPERCONDUCTING M MAGNET D DIVISION		BROOKHAVEN NATIONAL LABORATORY BROOKHAVEN SCIENCE ASSOCIATES UPTON, N.Y. 11973		
UNLESS OTHERWISE SPECIFIED		DRAWN BY	P KOVACH	12/8/2020	TITLE: AUP VERTICAL TESTING WARM BORE TUBE INTERMEDIATE BUMPER RING	
DIMENSIONS ARE IN INCHES DECIMAL TOLERANCES .X ± .06 .XX ± .02 .XXX ± .005 ANGULAR TOLERANCE ± 1°		CHECKED BY			SIZE: B	
BREAK SHARP EDGES		ENGINEER APPROVAL			DRAWING NUMBER: 25-2044734	
✓ FINISH	MAX. MIN.	SUPERVISOR APPROVAL			REV. A	
		SAFETY APPROVAL			MATERIAL: SEE NOTE 1	
					SCALE: NOTED	WEIGHT:
					SHEET 1 OF 1	

A	INITIAL RELEASE	PEK	12/8/2020	-	-
REV	DESCRIPTION	BY	DATE	CKR	APP

4

3

2

1