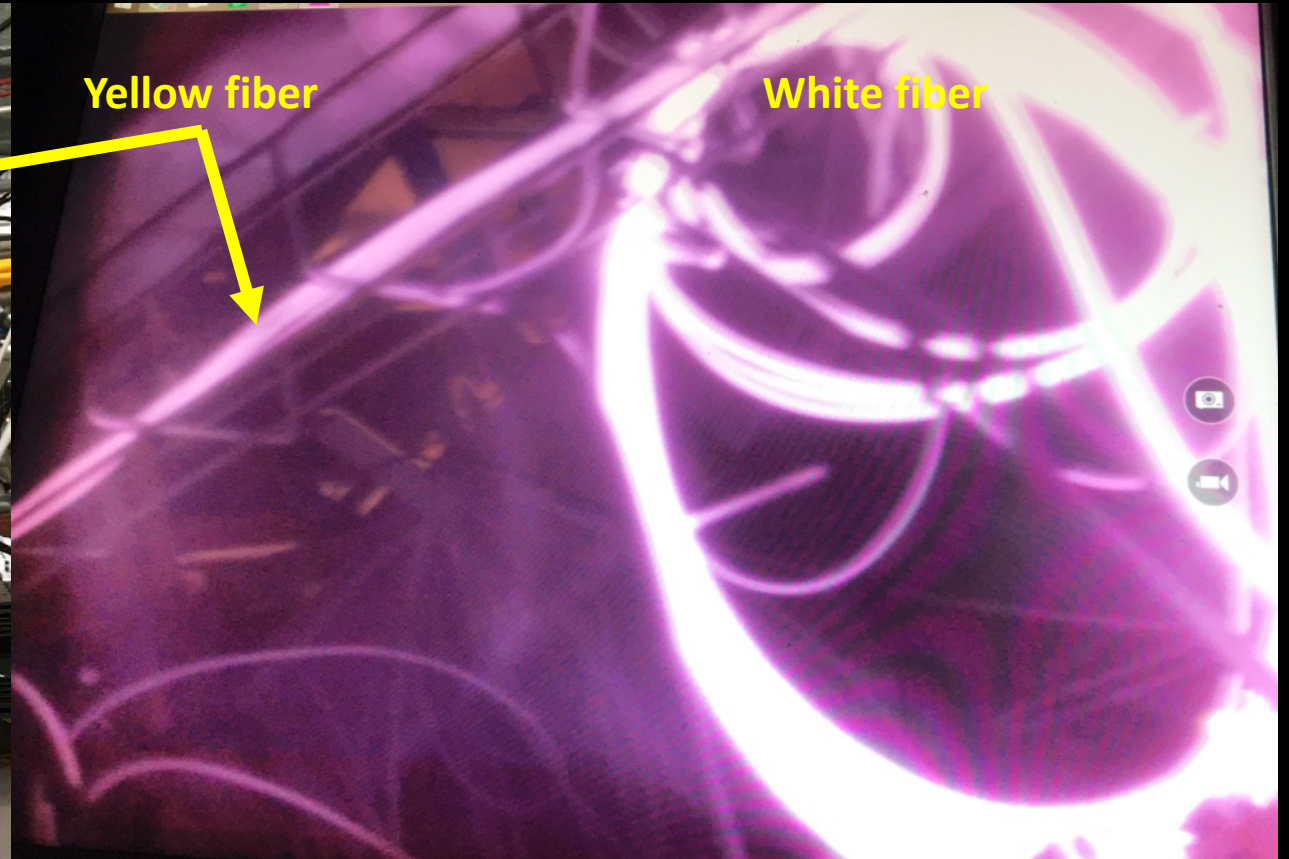
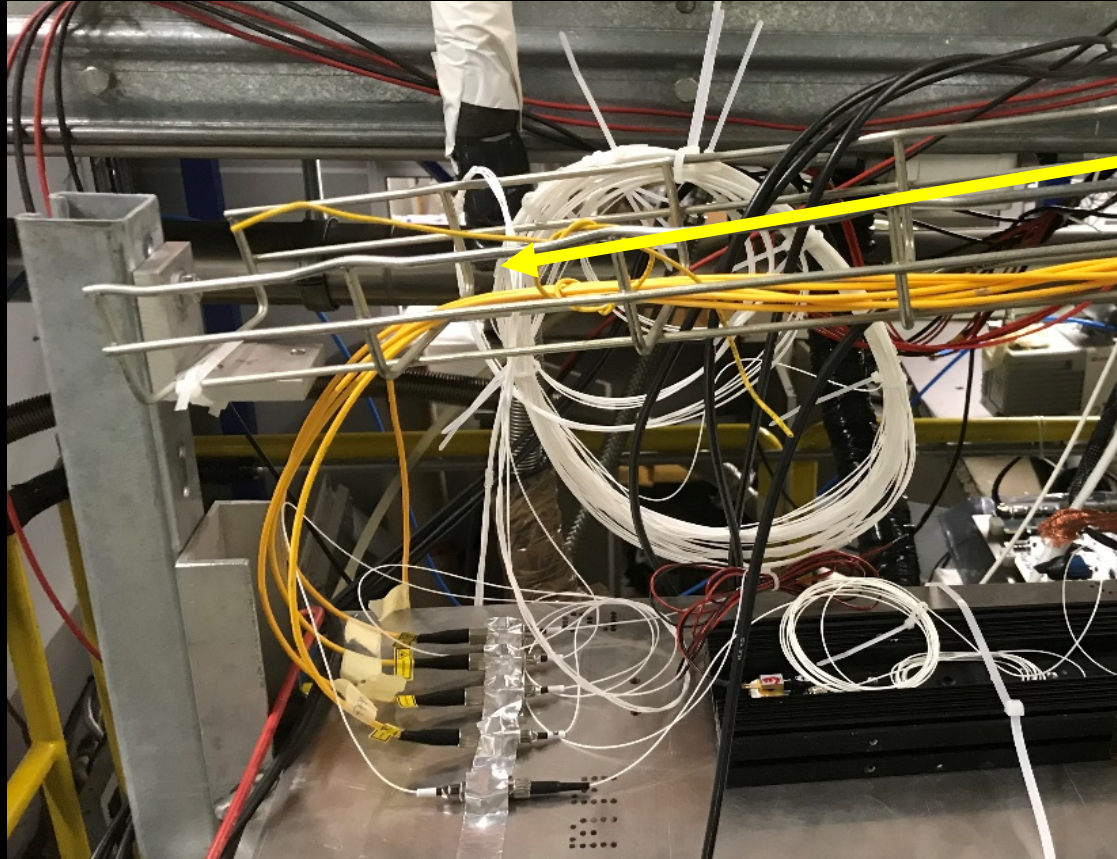


## Light diffusion along yellow and white fibers

Looking with infrared camera

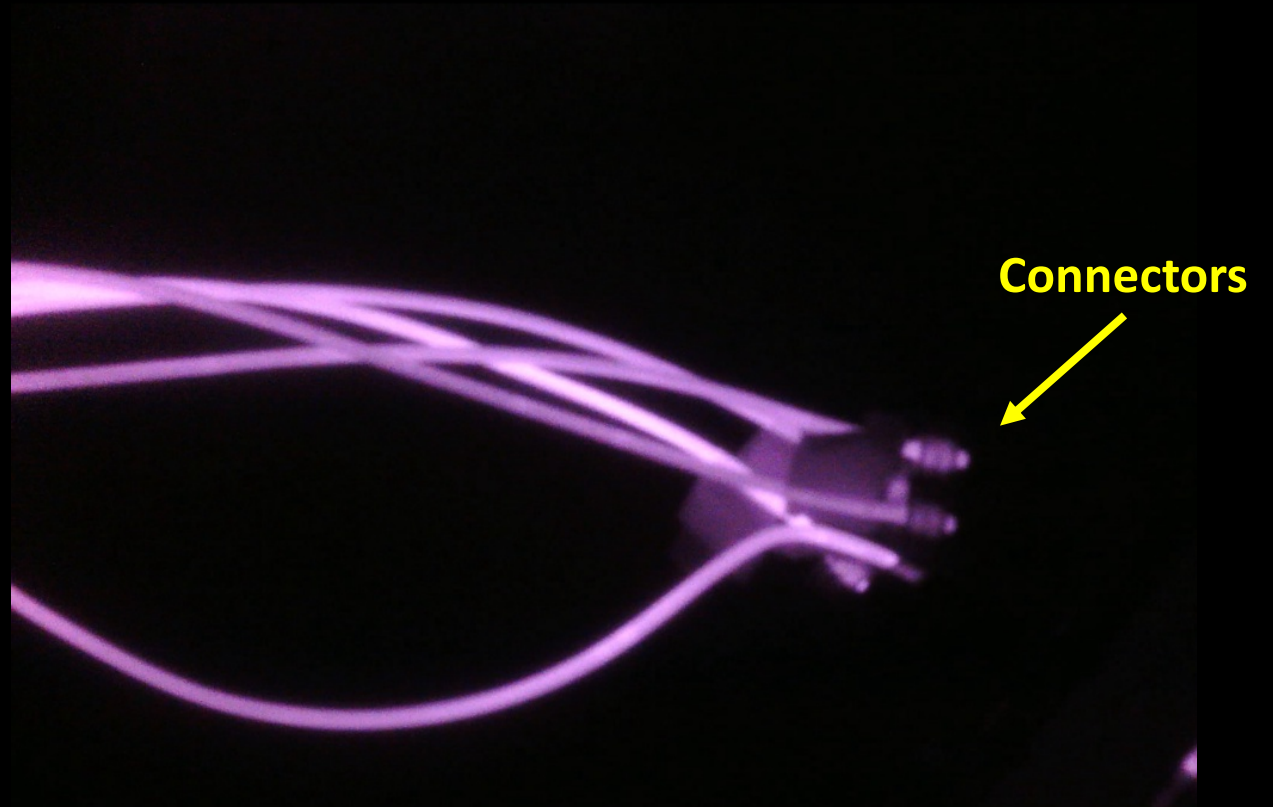


- Light was also leaking on yellow fibers from the beginning but we could not see it with naked eye.
- Here we are looking to ~30 cm yellow fibers and wrapped white fibers (few meters)
- Laser module emits 976 nm light ( $E_\gamma = 2.04 \text{ E-19 Joule}$ ) for 1W of power we get ~5 E18 photons.



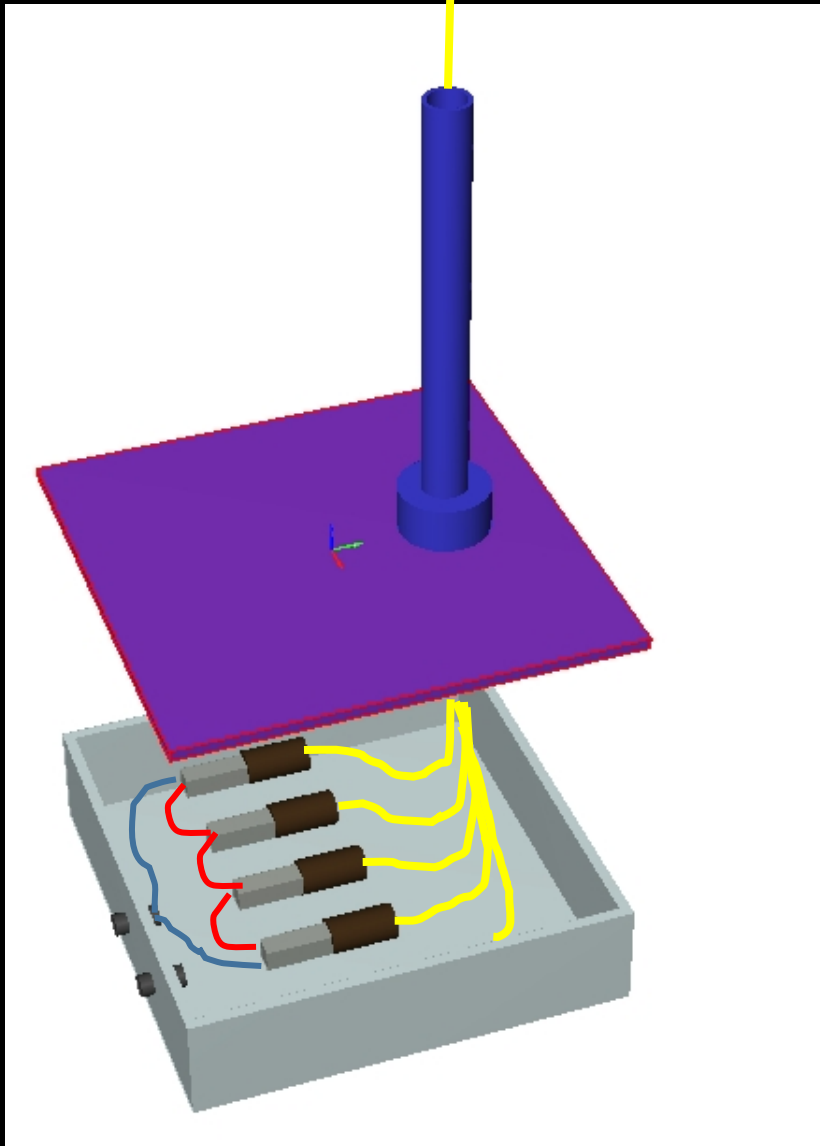
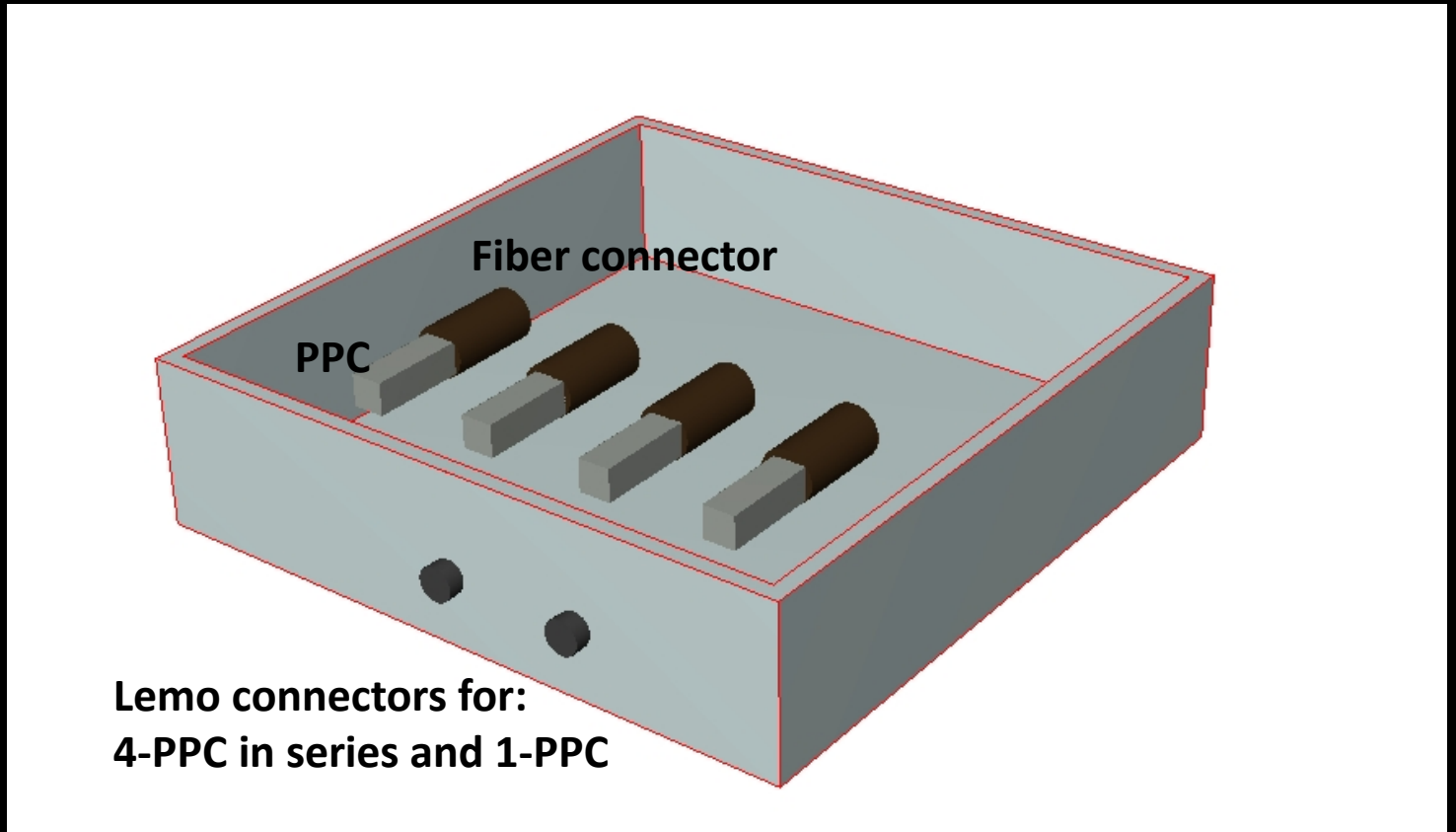


Here we use laser power of  $\sim 2\text{W}$   
( $1.8\text{ k}\Omega$  setting resistors)



Infrared camera focused on PPCs

**An idea to pass the fibers to PPC modules and power to SiPM circuit**



**Dimensions and box shape to be defined.**