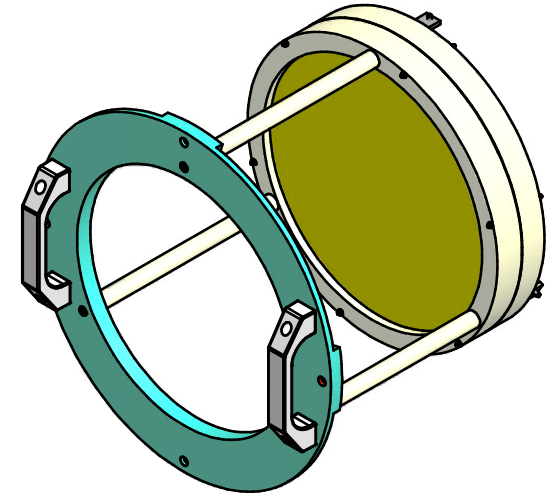
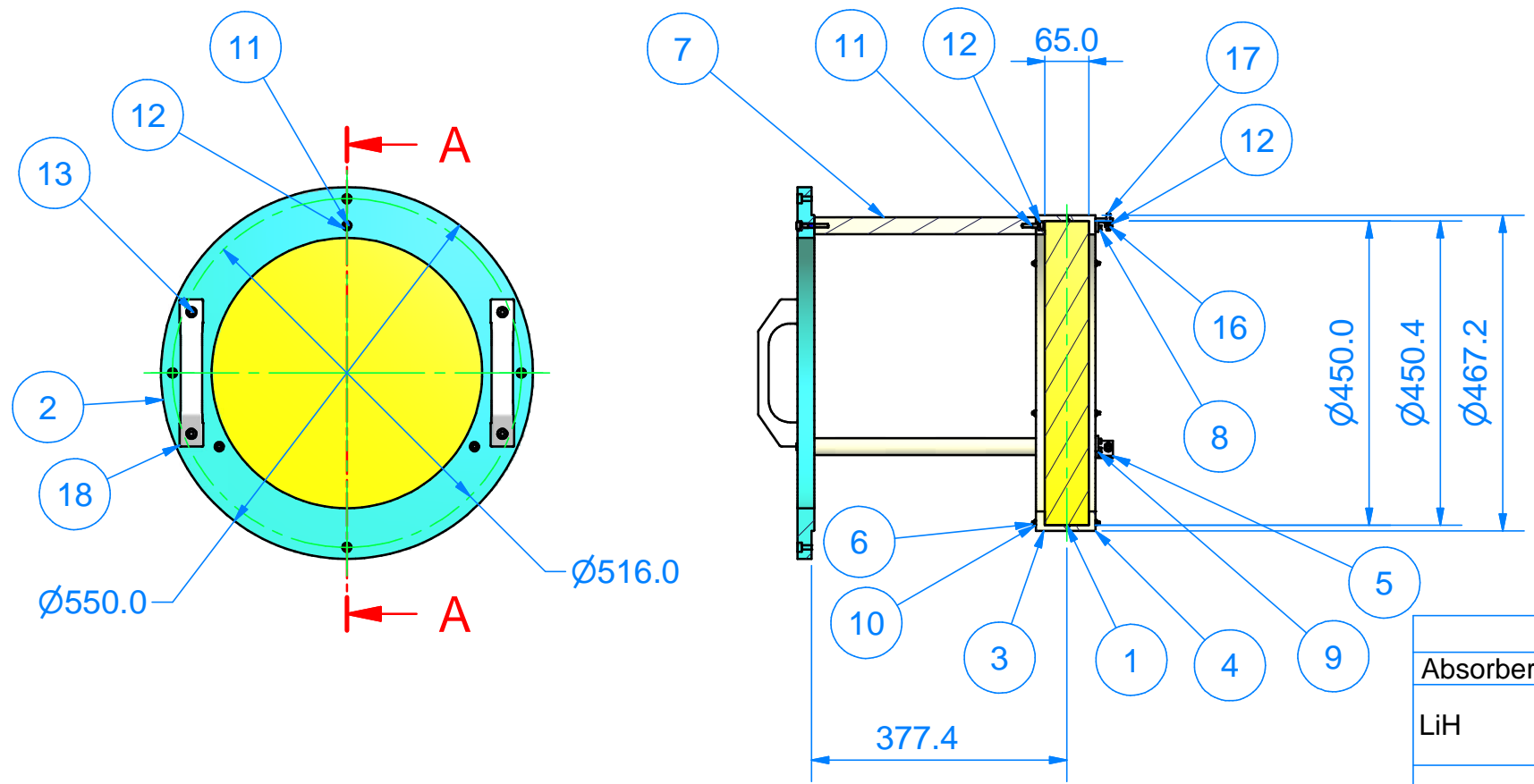


A-A ( 1:10 )

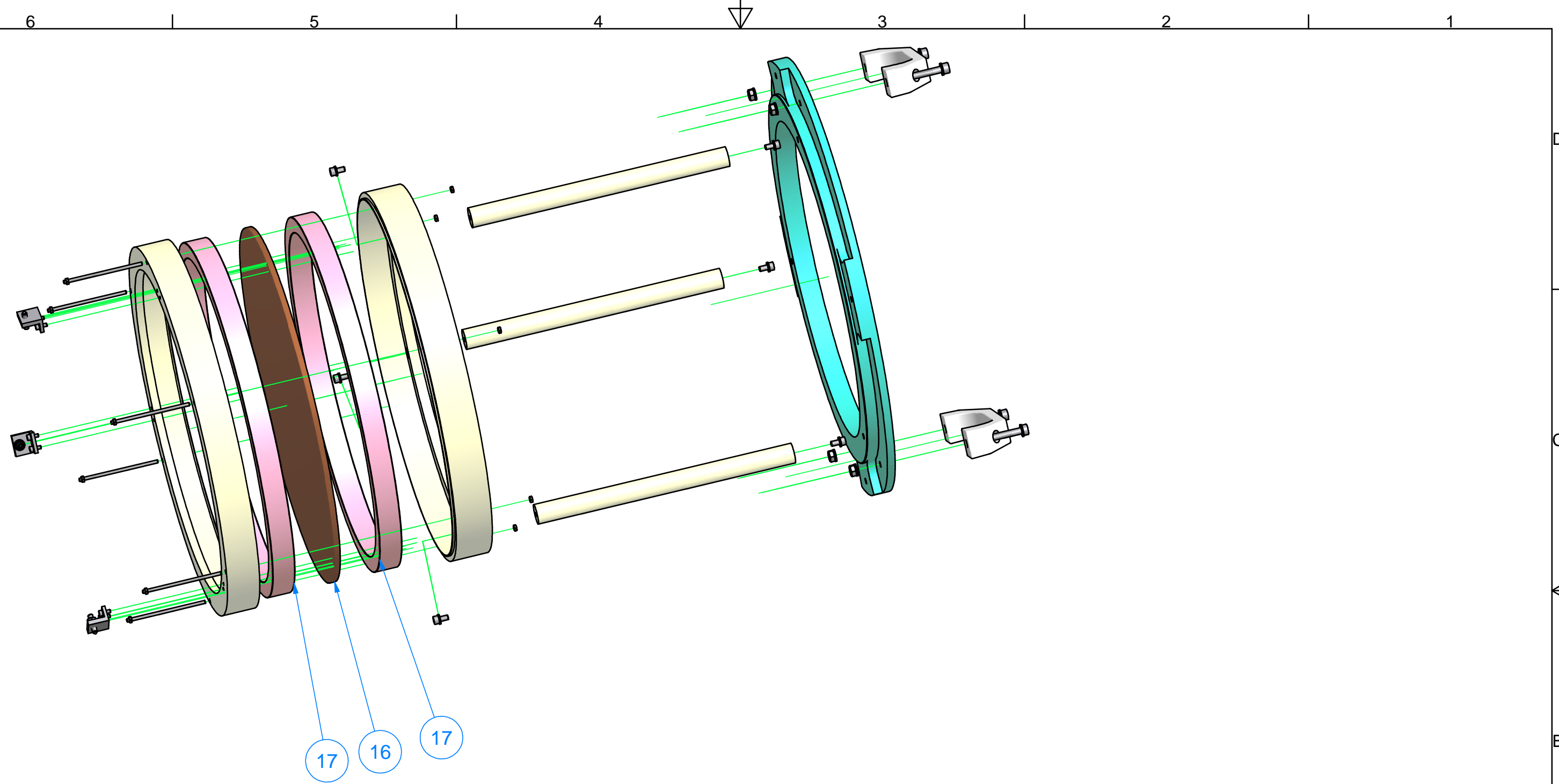


Absorber material	Density g/cm3	Absorber thickness	Spacer thickness	Rack weight
LiH	0.82	65 mm	0	15.209 kg
Be	1.848	34 mm	15.5 mm	17.704 kg
Poly E	0.935	52 mm	6.5 mm	14.884 kg
C	2.265	25 mm	20 mm	16.983 kg
Al	2.7	23 mm	21 mm	17.954 kg
Ti	4.54	15 mm	25 mm	19.043 kg
Cu	8.96	8 mm	28.5 mm	19.869 kg

Parts List

ITEM	QTY	PART NUMBER	DRAWING NUMBER	MATERIAL	MASS
1	1	solidabsorber _ LiH	Provided by FemiLab	LiH	8.477 kg
2	1	Mounting Plate	MICE_FA_PT02_00	Tufnol	2.720 kg
3	1	Flat Disc Holder	MICE_FA_PT03_00	Tufnol	1.255 kg
4	1	Flat Disc Holder Cover	MICE_FA_PT04_00	Tufnol	1.049 kg
5	3	Bracket	MICE_FA_PT05_00	Stainless Steel	0.043 kg
6	6	M4 SS stud	MICE_FA_PT06_00	Stainless Steel	0.010 kg
7	3	Shaft 1	MICE_FA_PT07_00	TUFNOL 10G40	0.304 kg
8	6	SCH Screw M4 x 10	Purchase item	Stainless Steel	0.002 kg
9	18	M4 Plain Washer	Purchase item	Stainless Steel	0.000 kg
10	12	M4 Nut	Purchase item	Stainless Steel	0.001 kg
11	6	SHC Screw M6 x 12	Purchase item	Stainless Steel	0.006 kg
12	9	M6 Plain Washer O.D 12 mm	Purchase item	Stainless Steel	0.001 kg
13	4	SHC Screw M8 x 40	Purchase item	Stainless Steel	0.020 kg
14	4	M8 Plain Washer	Purchase item	Stainless Steel	0.002 kg
15	4	M8 Nut	Purchase item	Stainless Steel	0.004 kg
16	3	M6 Nut	Purchase item	Stainless Steel	0.003 kg
17	3	M6 SS Thrust Screw	Wixroyd 34042.W0276	SS body Delrin POM	0.001 kg
18	2	Wixroyd Handle	Wixroyd 7912.W180-8	Polyaryletherketone Resin	0.217 kg

UNIVERSITY OF OXFORD DEPARTMENT OF PHYSICS KEBLE ROAD OXFORD, OX1 3RH TEL. +44 (0)1865 283196 FAX +44 (0)1865 283137 laup	PROJECT: MICE_Flat Absorber Mounting	TITLE: Flat Absorber Holding Rack_LiH	
	GENERAL TOLERANCES:  X ± 0.5 X.X ± 0.1 X.XX ± 0.05 X.XXX ± 0.005	IDENTIFICATION NUMBER: MICE_FA_AS01_00	
TECHNICAL REFERENCE:	SCALE: 1:10	DATE OF ISSUE: 09/08/2011	MATERIAL:
CHECKED BY:	ALL DIMENSIONS ARE IN MM UNLESS OTHERWISE STATED DO NOT SCALE		DOCUMENT TYPE: NUMBER OFF: 1
APPROVED BY:	3rd ANGLE PROJECTION 	SIZE <b>A3</b>	DOCUMENT STATUS: COMPONENT WEIGHT: 15.209 kg
THIS DRAWING MAY NOT BE USED FOR COMMERCIAL USE			JOB NUMBER: FINISH: Debur
			SHEET 1 OF 2



Spacer Option		
Absorber	Spacer Drawing no.	Spacer thickness (mm)
LiH	NIL	NIL
Be	MICE_FA_PT11_00	15.5
Poly E	MICE_FA_PT12_00	6.5
C	MICE_FA_PT13_00	20.0
Al	MICE_FA_PT14_00	21.0
Ti	MICE_FA_PT15_00	25.0
Cu	MICE_FA_PT16_00	28.5

UNIVERSITY OF OXFORD DEPARTMENT OF PHYSICS KEBLE ROAD OXFORD, OX1 3RH TEL. +44 (0)1865 283196 FAX: +44 (0)1865 283137 laup	PROJECT: MICE_Flat Absorber	TITLE: Flat Absorber Holding Rack_LiH	
	TECHNICAL REFERENCE:	GENERAL TOLERANCES:  X ± 0.5 X.X ± 0.1 X.XX ± 0.05 X.XXX ± 0.005  ALL DIMENSIONS ARE IN MM UNLESS OTHERWISE STATED DO NOT SCALE	IDENTIFICATION NUMBER: <b>MICE_FA_AS02_00</b>
CHECKED BY:	3rd ANGLE PROJECTION 	SCALE: <b>1:5</b>	DATE OF ISSUE: 09/08/2011
APPROVED BY:		DOCUMENT TYPE:	NUMBER OFF: 1
		DOCUMENT STATUS:	COMPONENT WEIGHT: 19.869 kg
		JOB NUMBER:	FINISH: Debur
THIS DRAWING MAY NOT BE USED FOR COMMERCIAL USE			SHEET 2 OF 2