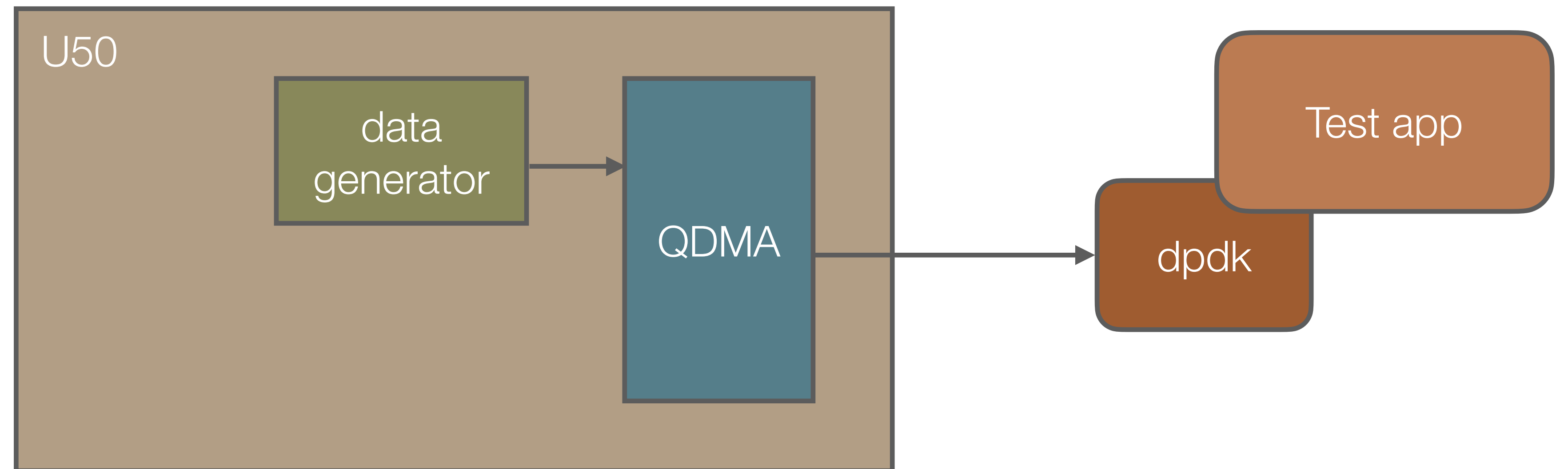


Ethernet DAQ Demonstrators

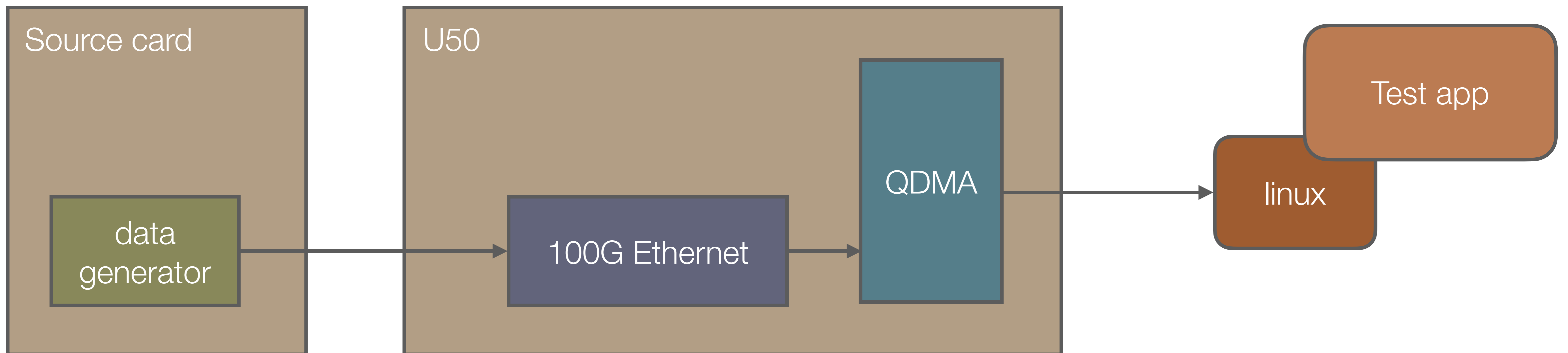
Backend

- Demonstrate packet transfer
- Throughput measurements



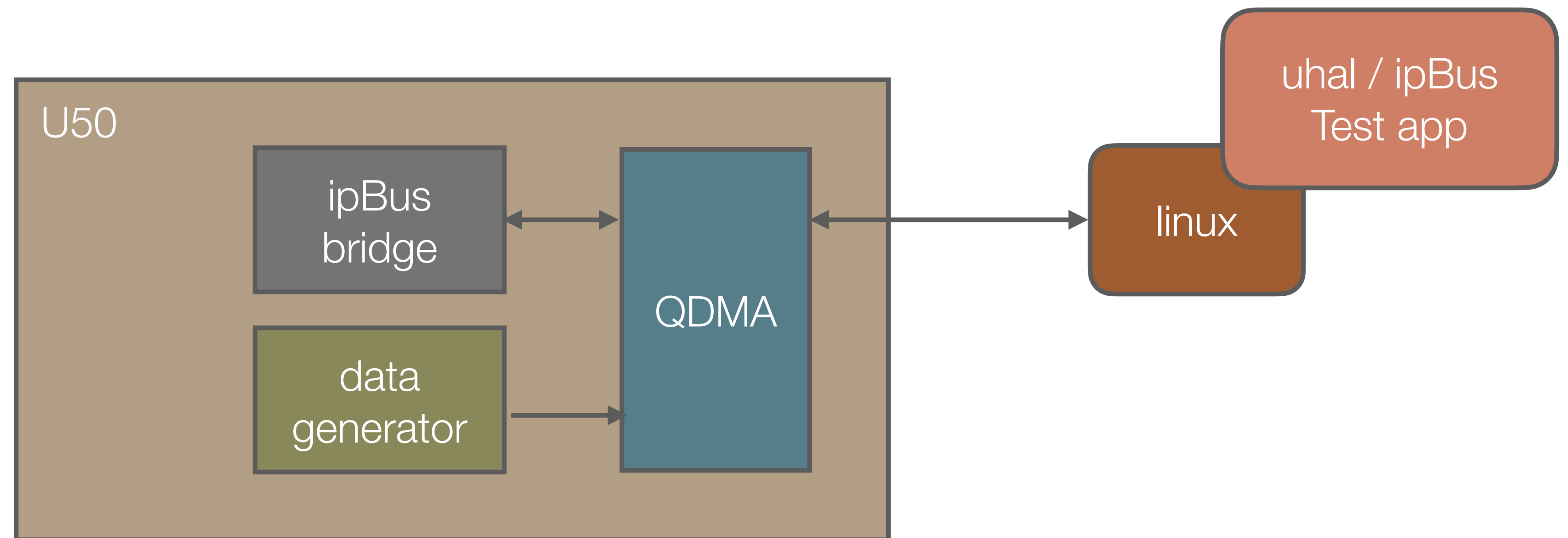
Frontend

- Demonstrate packet transfer
- For throughput tests, migrate to dpdk ?

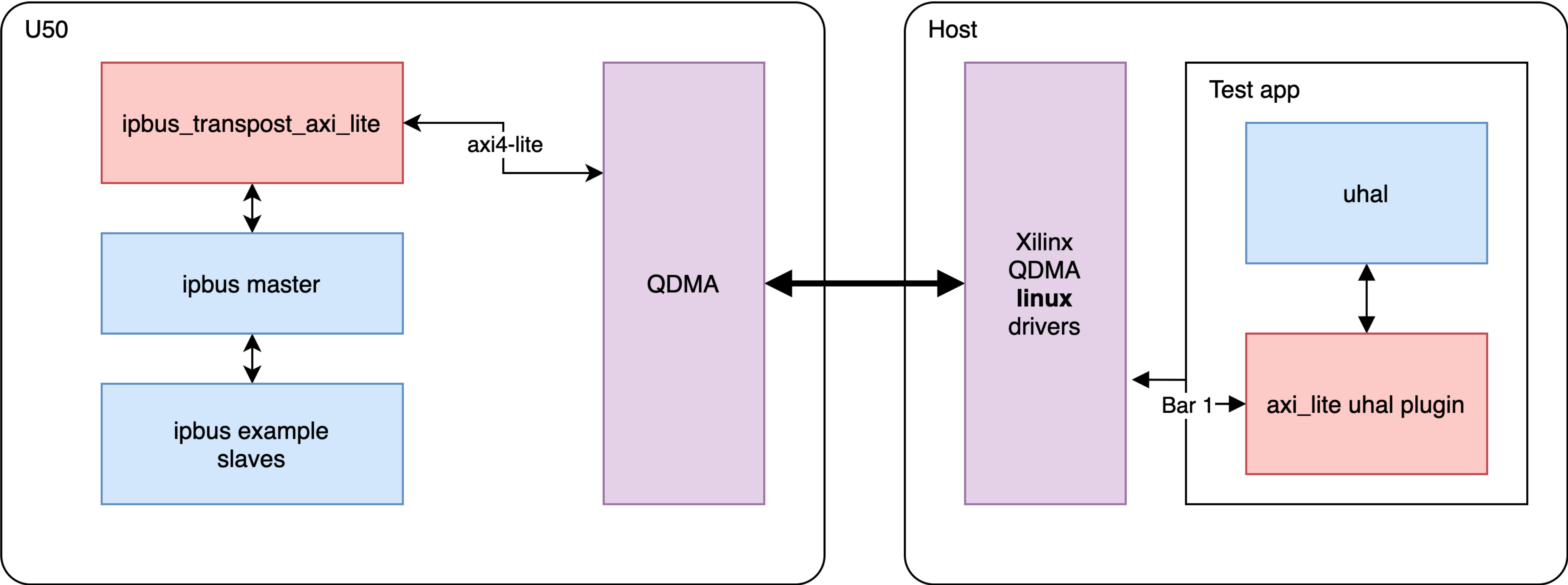


Controls

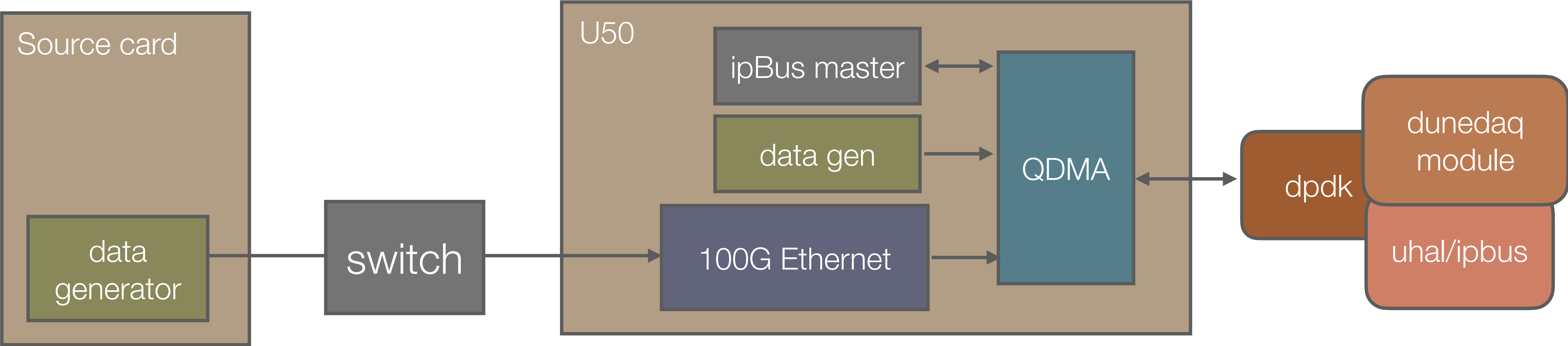
- Demonstrate standalone read/write
- Add data generator to test alongside data transfers (and migrate to dpdk ?)



Controls



Ultimate demonstrator ?



Integration

- How can/should we share firmware ?
- How can/should we share software ?
- Some repos exist :
 - dpdk in dunedaq : <https://github.com/DUNE-DAQ/dpdklibs>
 - ipBus firmware : <https://gitlab.cern.ch/dune-daq/readout/maelstrom>