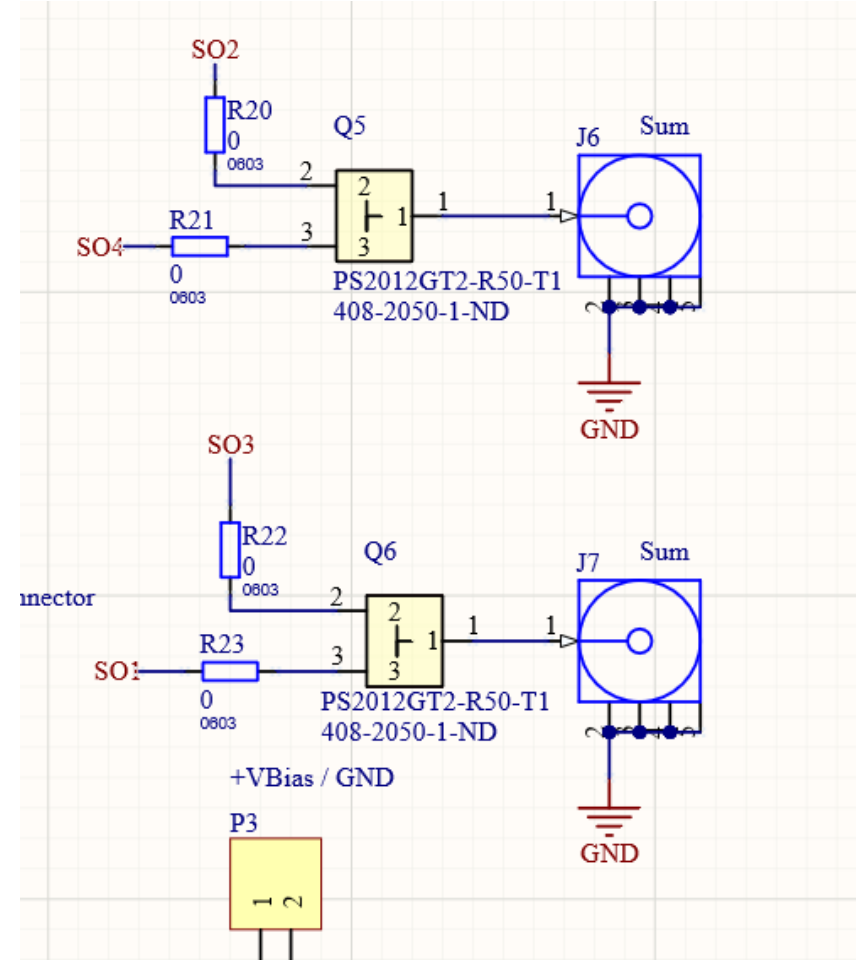
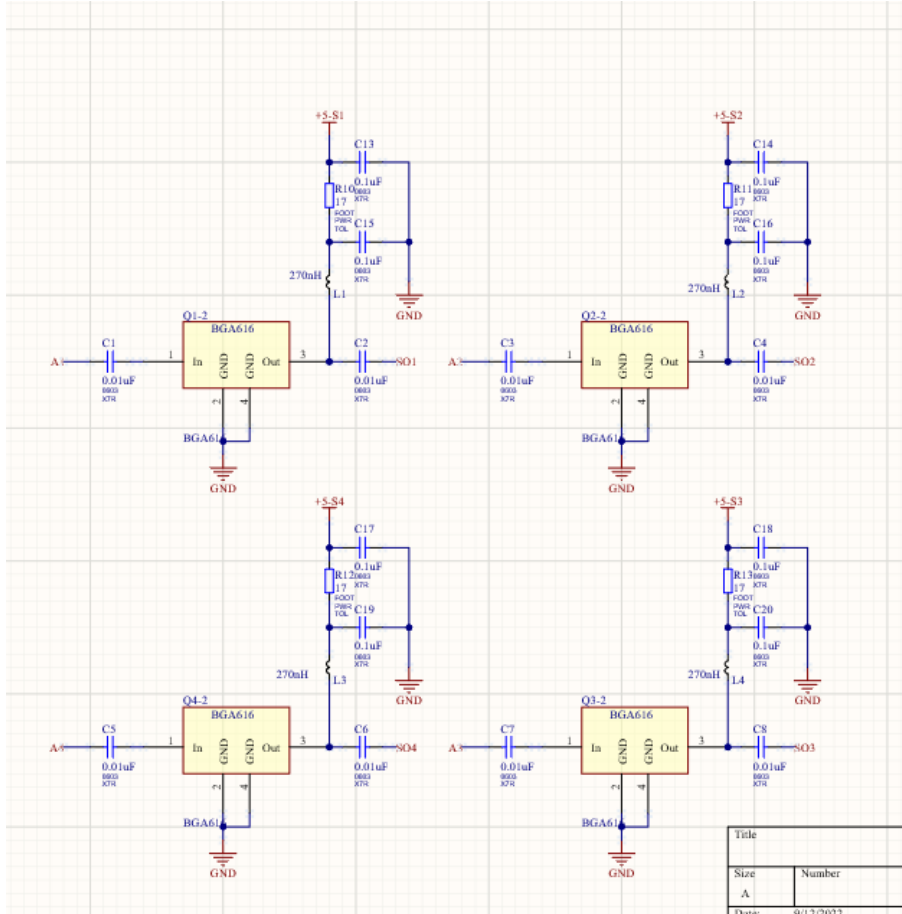


Calvision

Amplifier Prototype Update

Schematics

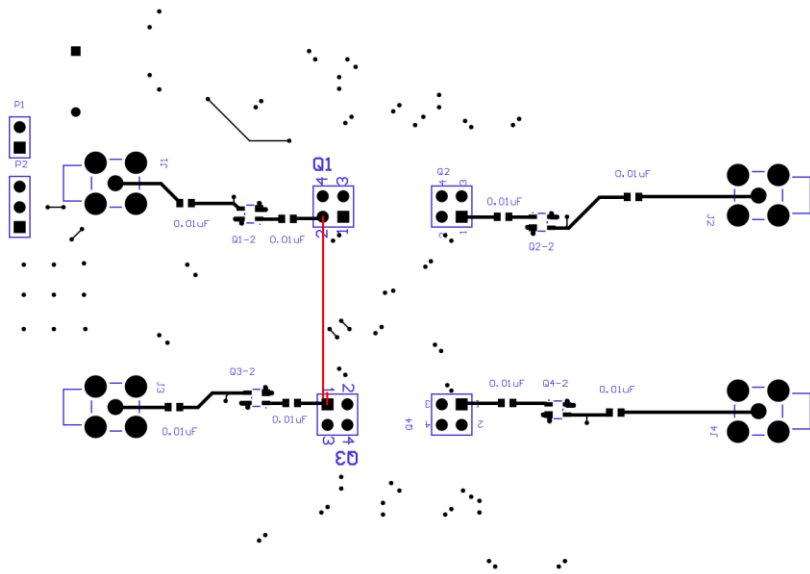


Nothing is ever perfect

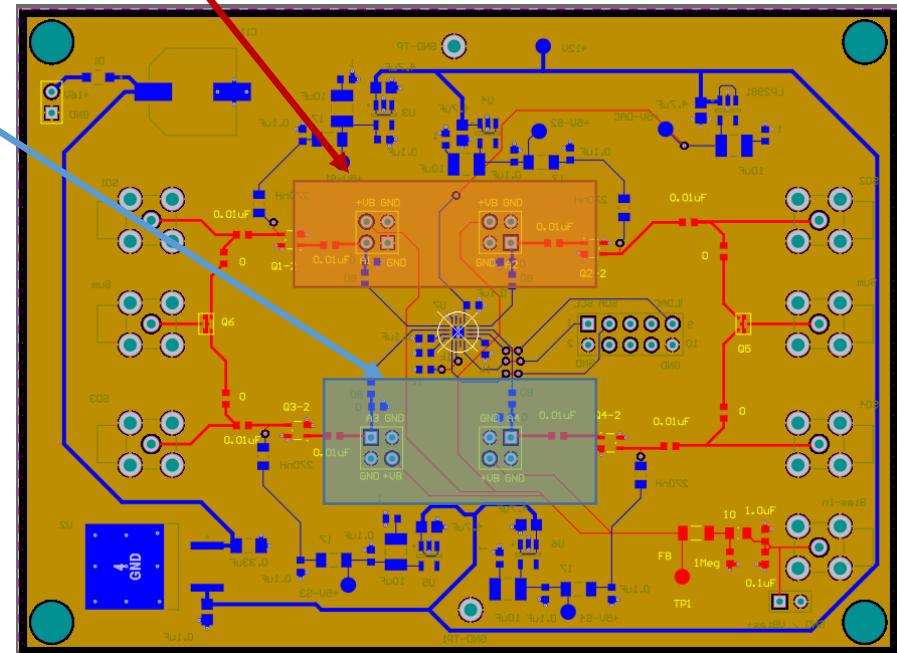
Found a mechanical offset problem with the amplifier card.

½ mm difference between the top row of connector pins and the bottom row

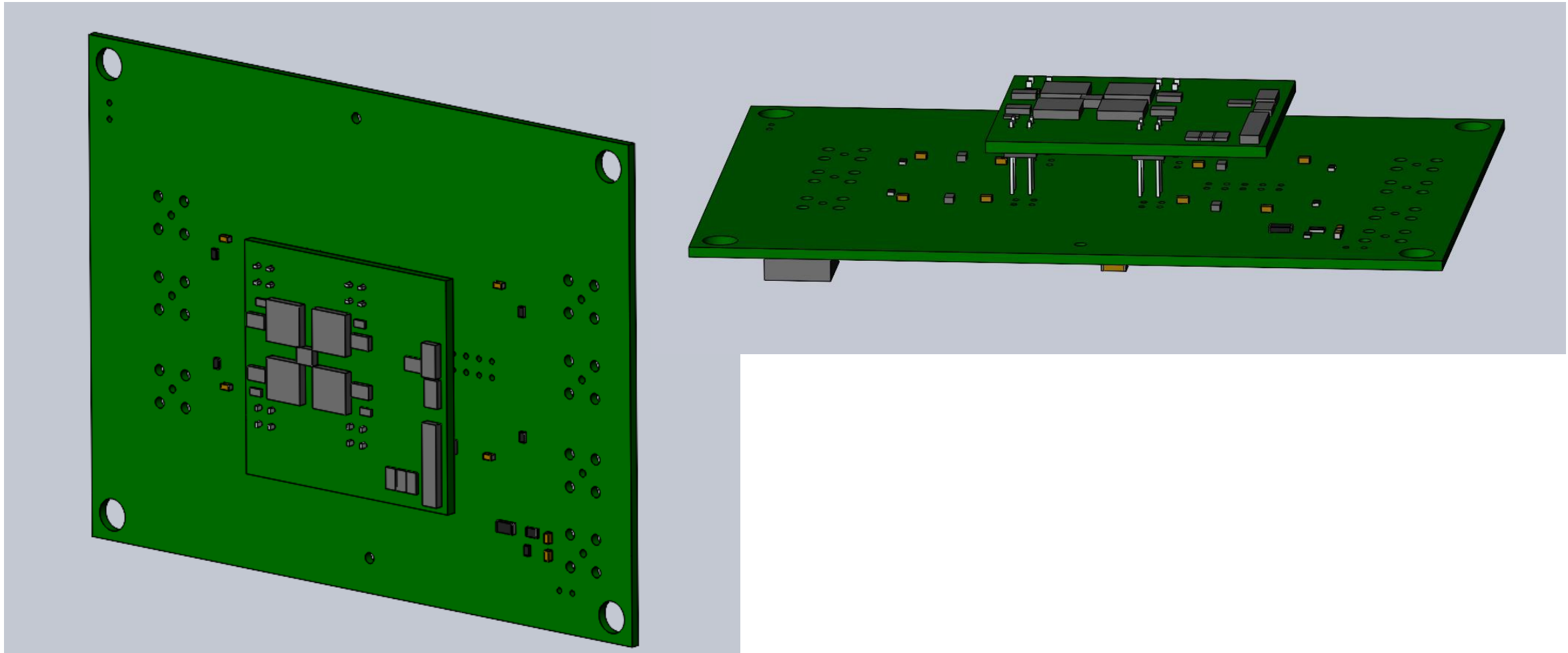
Upside, it should only impact me for my local tests.



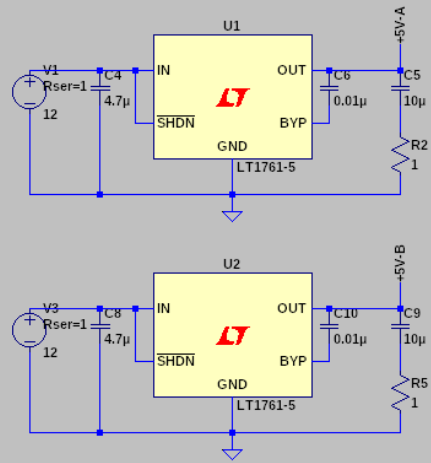
Shifted by
0.5mm!



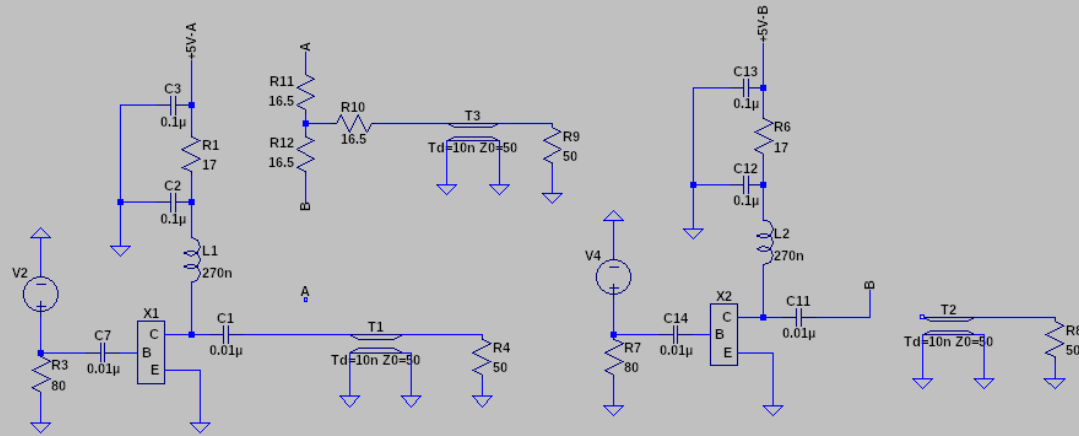
3D Model



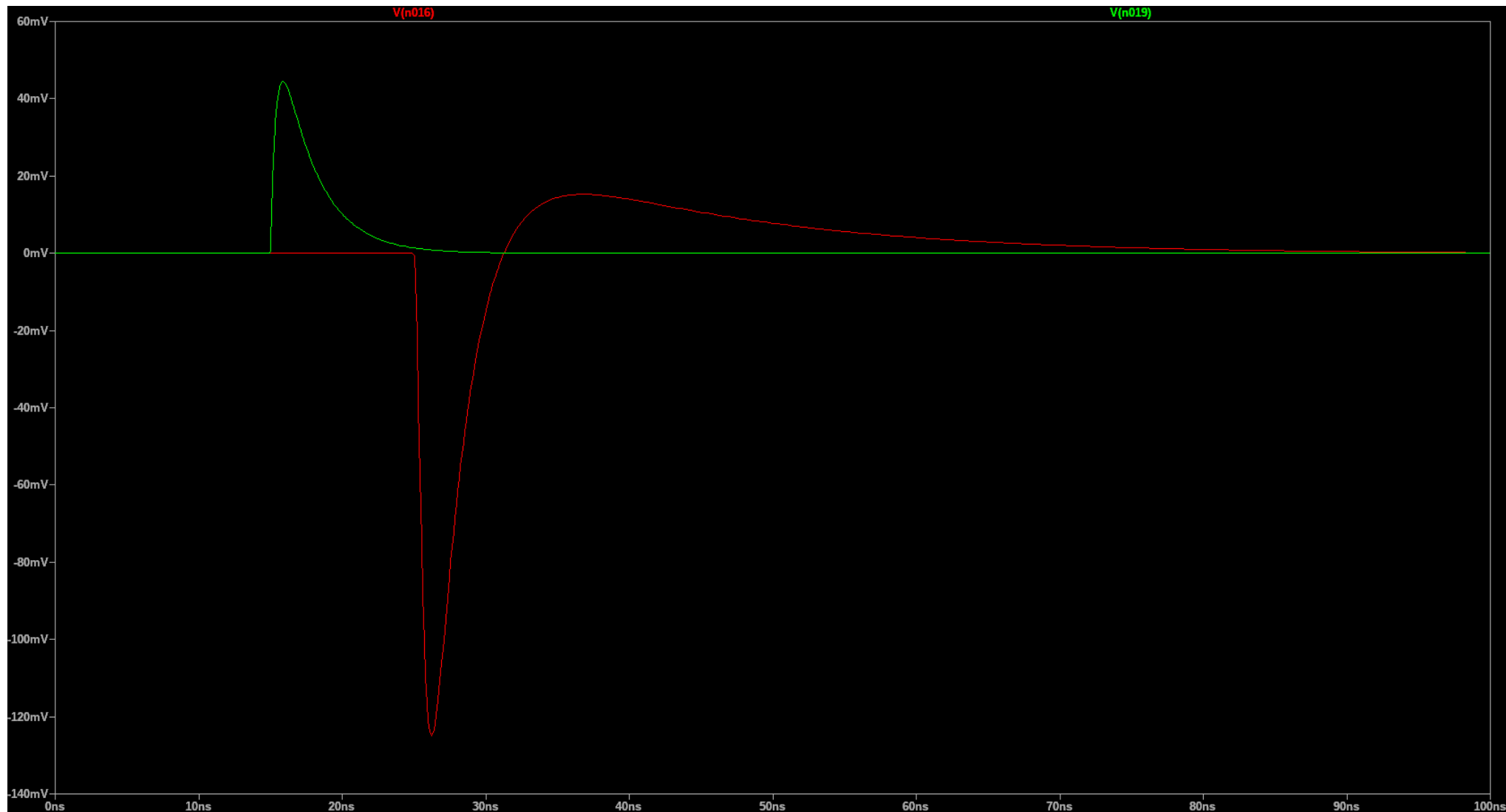
Simple Simulation



.tran 100n



Simulation Results (single)



Simulation (join)



SiPM Cards to go out this week
Expected sometime next week

Questions?