

ProtoDUNE-VD PDS installation schedule

A. Cervera (IFIC-Valencia)
F. Marinho (ITA-São Paulo)
S. Sacerdoti (APC-Paris)
D. Totani (UCSB-Santa Bárbara)

Version 8

News since last meeting I

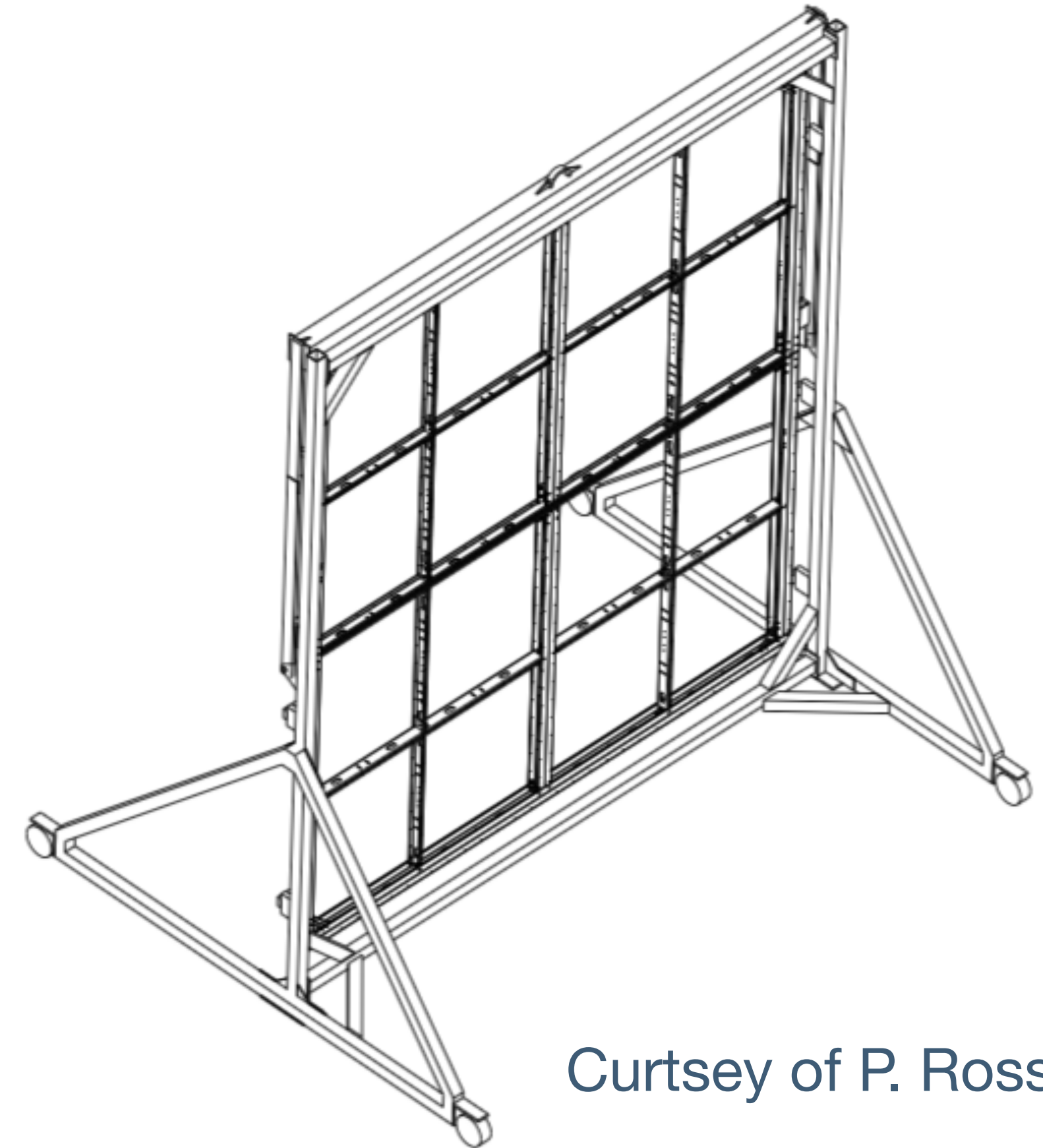
- **Cathode** resistive meshes at CERN on January 13th, Friday (Philippe)
 - We have time until that date for installation in cathode. Could probably request few more days the week after
- **Frame:** preliminary schedule (Vishnu) for 100x200 and 150x150 filters
- **Electronics:** preliminary schedule (Ryan & Sabrina's talks)
- **Fibers:** revised routing and schedule (talks by Zelimir/Clara & Ryan)
- **Flange:** new design by Man Hong (Ryan's talk)
- **Dichroics:** converged on sizes and production (Carla's talk)
- **Flange population:** BDE (Bottom Drift Electronics) will only populate the penetration in January (Ryan's talk)

News since last meeting II

- **SiPMs:** We will have sufficient SiPMs for 16 modules
 - 500 HPK SiPMs (MiB) ordered by Francesco
 - 700 HPK SiPMs (Fermilab via CERN) order by Ryan is being processed
- **Still on critical path:**
 - Few items identified (Ryan's talk)

Cathode availability for PDS

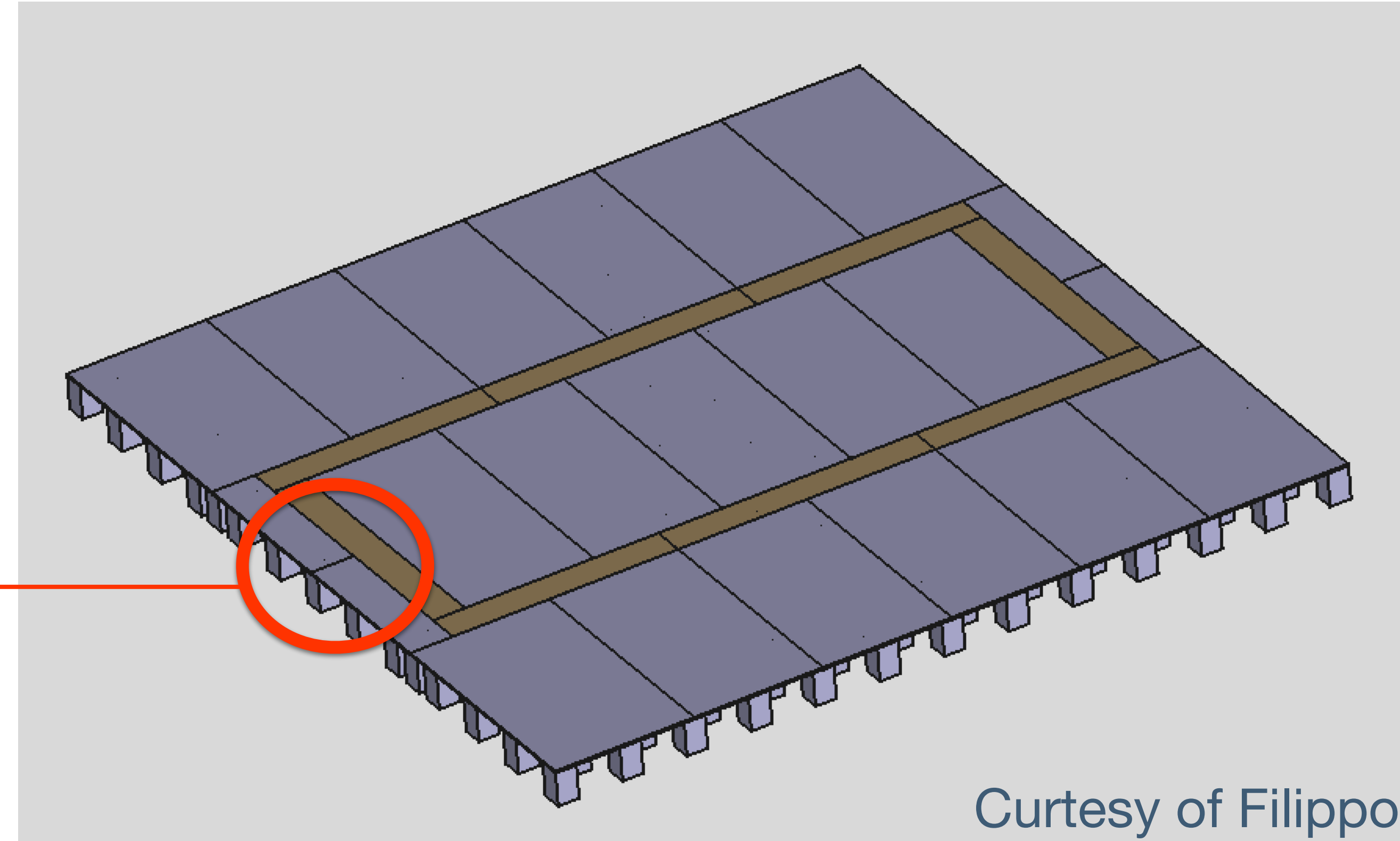
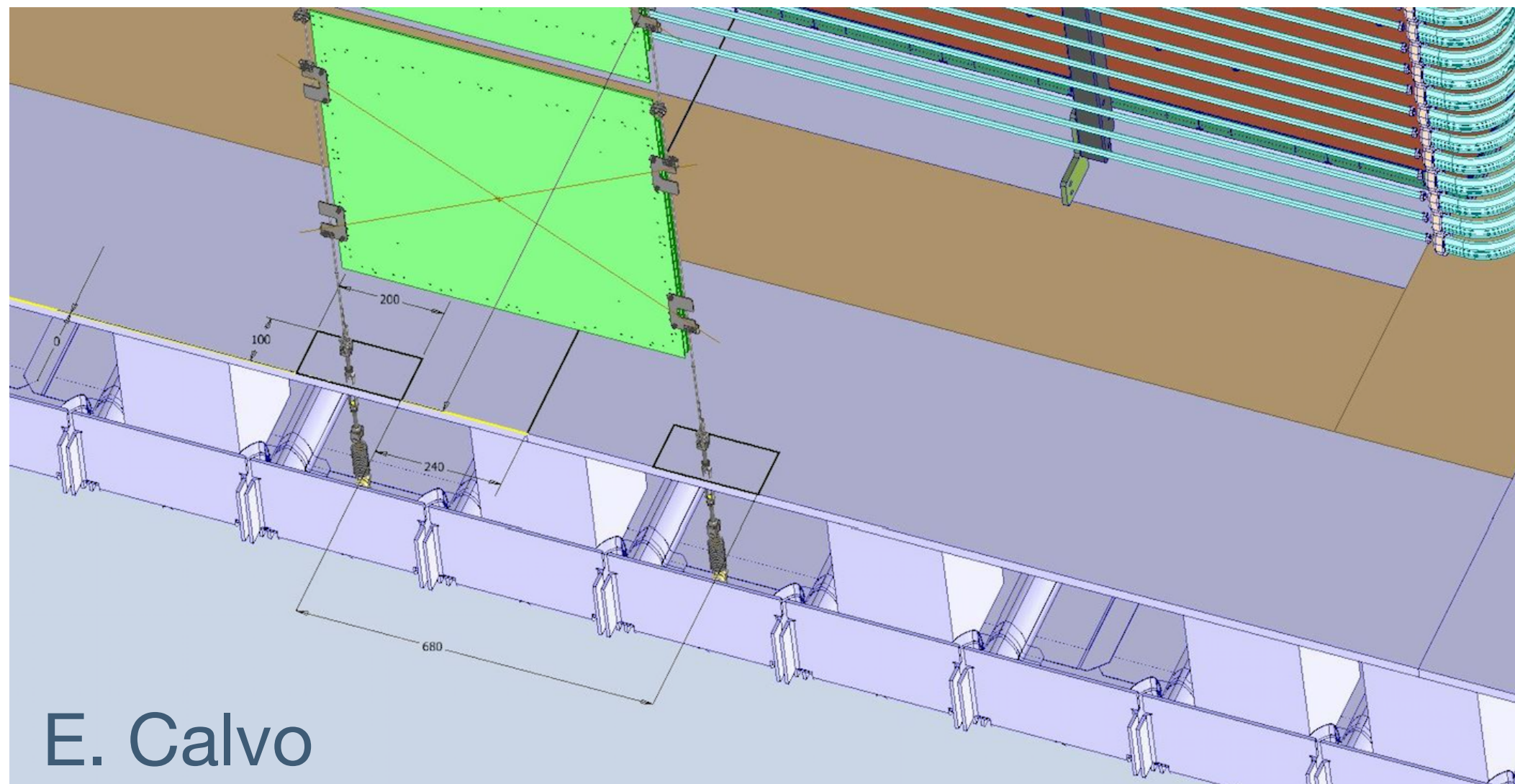
- HV prefers cathode assembly in cartwall
- If accepted, cathode available on cartwall for PDS installation from Dec 14th to January 16th
- If not, cathode would be resting on false floor inside the cryostat until mesh installed on January 16th



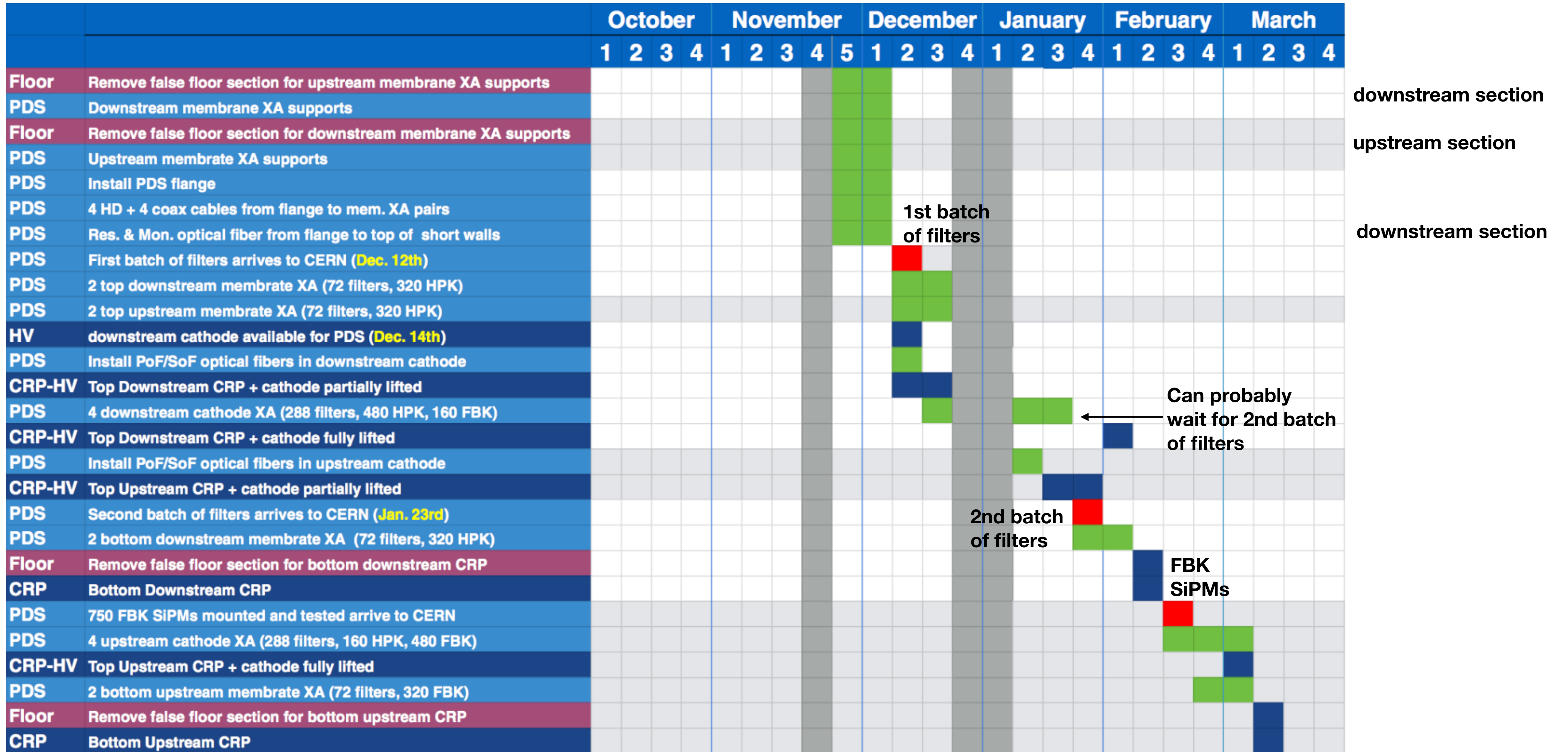
Curtsey of P. Rossier

Deployment of membrane mounting system

- Preliminary false floor
- Small sections can be cut to allow for installation with them in place
- Enrique finalizing design for 8 modules. Production in November

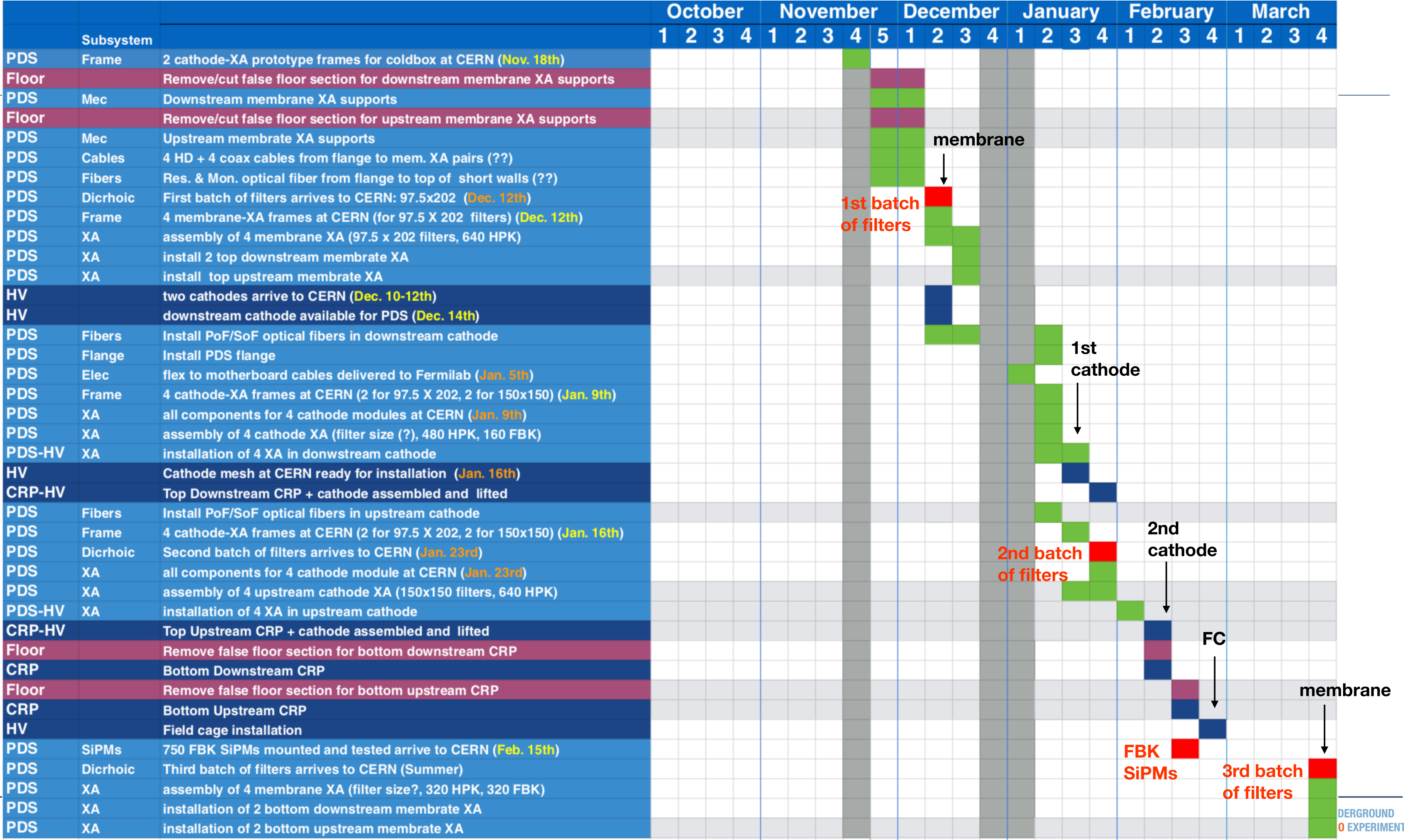


Previous version of schedule



In new version

- 4 cathode-XA assembly moved to Jan. 9th because unavailability of XA components
 - Installation in Cathode by Jan 16th
- Unrealistic second cathode lifting the first week of March
 - Moved to second week of February
 - New baseline is FBK goes to bottom membrane modules
- Aim for state of the art modules (bottom membrane) later in 2023

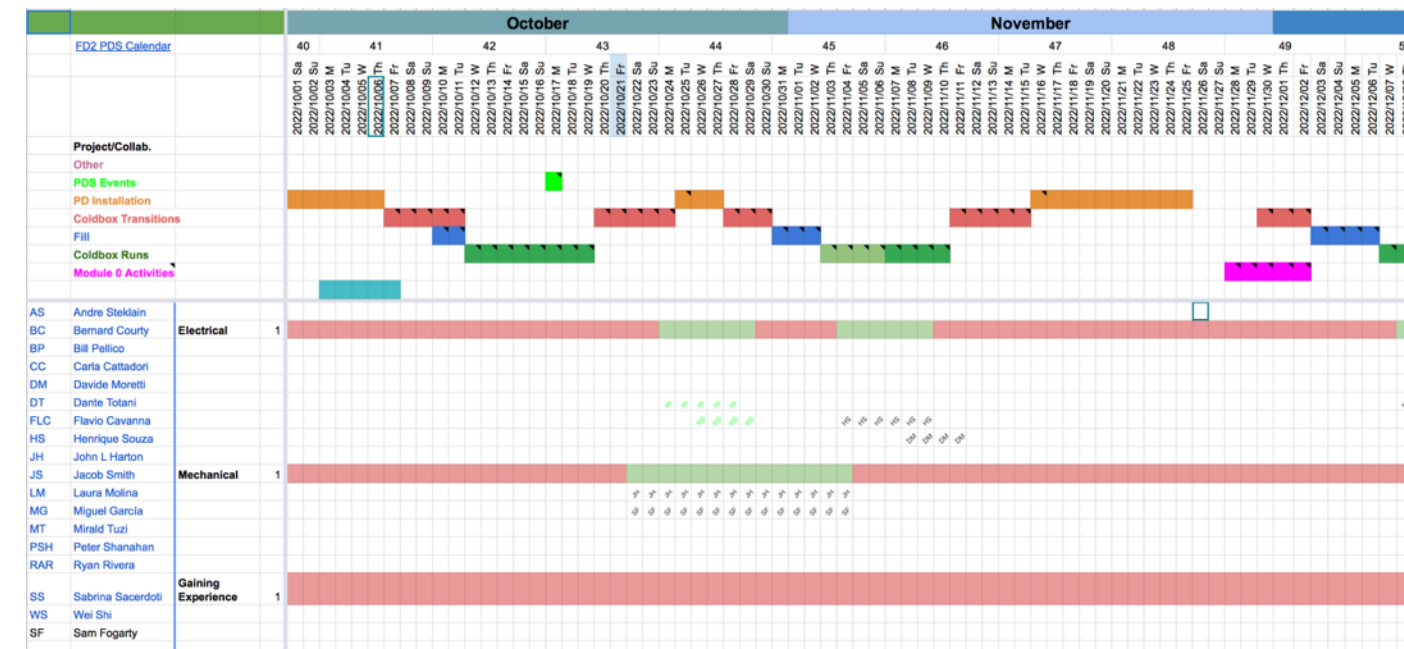


People at CERN

- A single spreadsheet for cold boxes and Module-0

https://docs.google.com/spreadsheets/d/1qT_wY5rvEtjS2t741bd8TGejxSAtKZIWIWu3m8GozzA/edit?usp=sharing

- People traveling to CERN and willing to help should fill it



- Cold box assembly next week. Some people (inc. Flavio, Sabrina and Anselmo) at CERN

- Among others, we will discuss with Filippo about installation schedule and available space for XA assembly